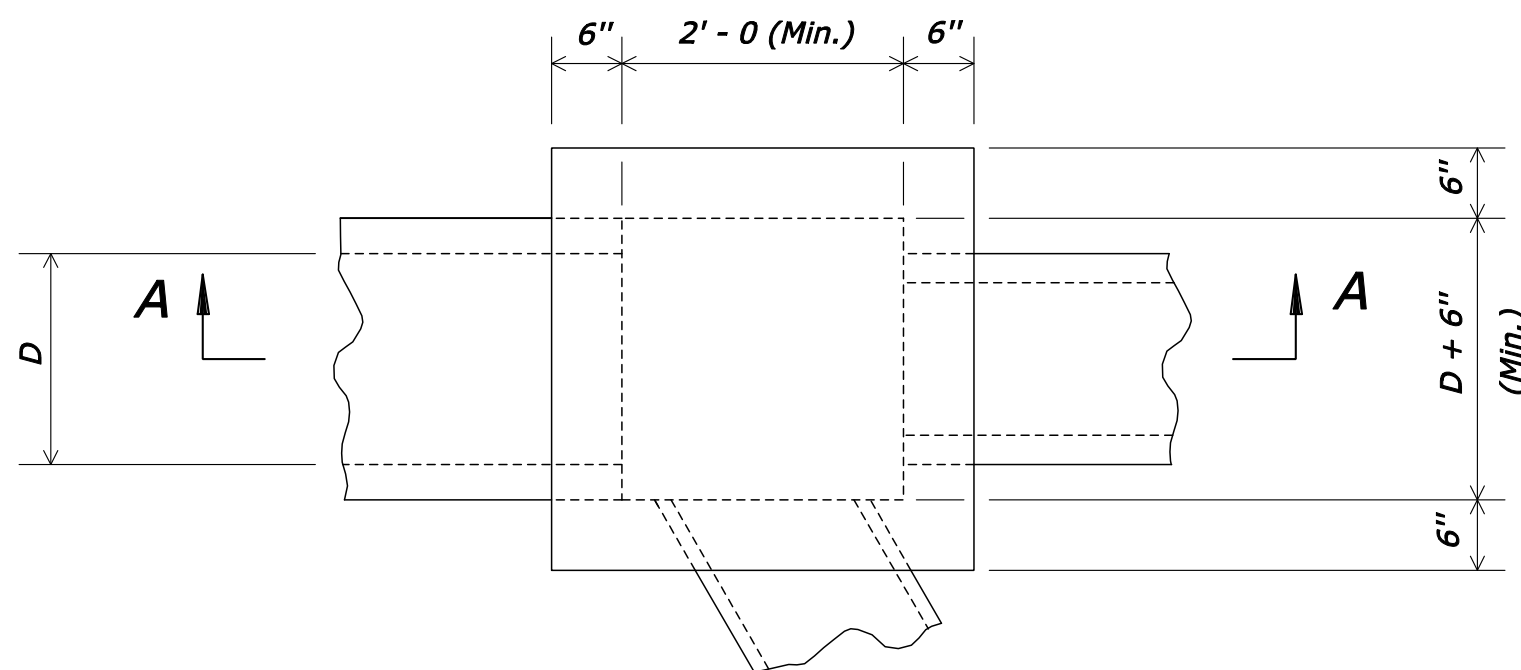


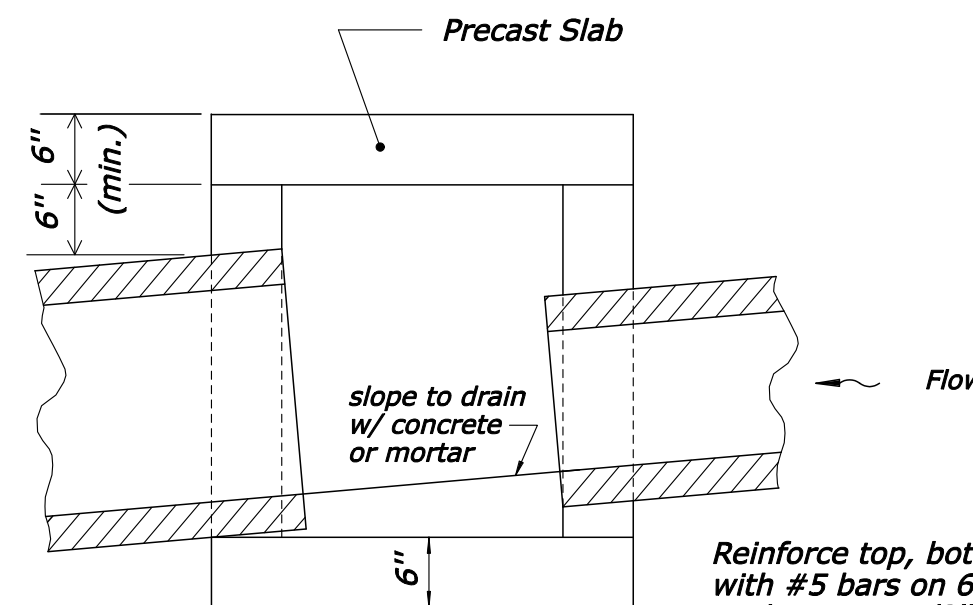
REG	STATE	PROJECT	SHEET NO.
SE	LA	RRP-LOP 10(2)	

Notes:

1. At the option of the Contractor, walls less than 4 feet may be of concrete or concrete block.



PLAN



SECTION A-A

Reinforce top, bottom, and sides with #5 bars on 6" centers each way, 1 1/2" from inside of junction box.

NO SCALE

U.S. DEPARTMENT OF TRANSPORTATION FEDERAL HIGHWAY ADMINISTRATION EASTERN FEDERAL LANDS HIGHWAY DIVISION	
U.S. CUSTOMARY DETAIL	
JUNCTION BOX	
DETAIL APPROVED FOR USE	DETAIL
REVISED: 1/08	E604-06