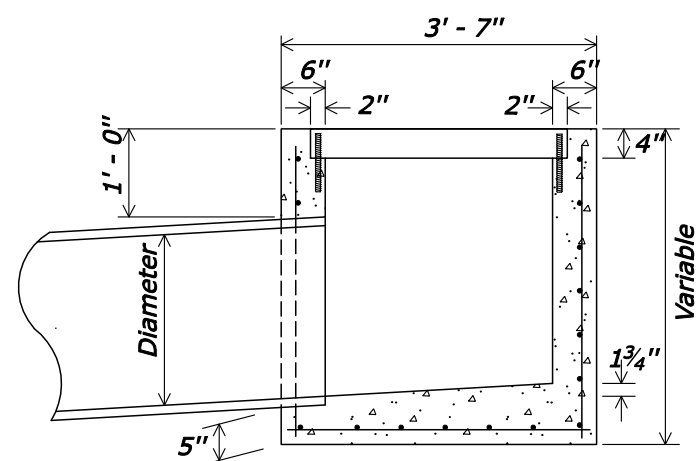


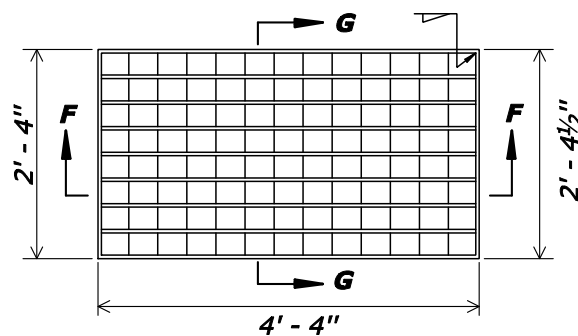
GRATE FRAME

Notes:

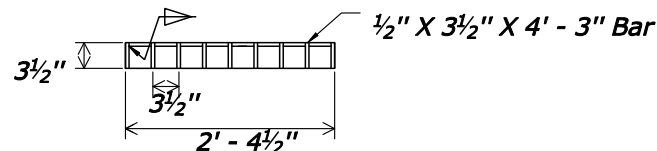
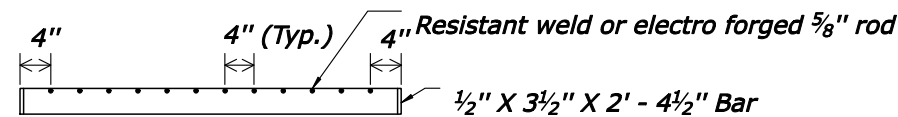
1. All reinforcing bars shall be #5 placed 1 1/2" minimum from face of concrete.
2. In floors, place bars on 6" centers each way. In walls, place horizontal bars on 6" centers and vertical bars on 12" centers.
3. All metal parts of frame and grate shall be hot dip galvanized after fabrication. Frame and grating shall be steel.



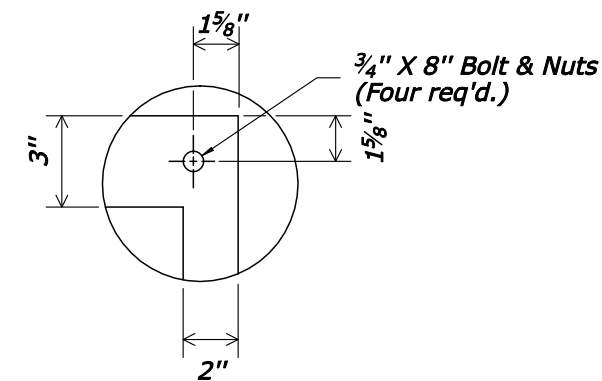
SECTION D-D



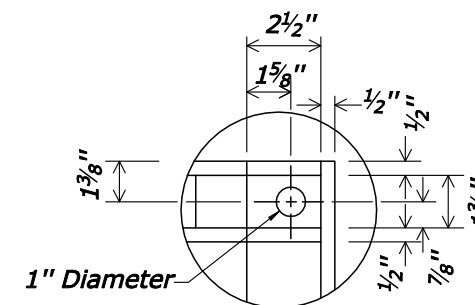
SECTION F-F



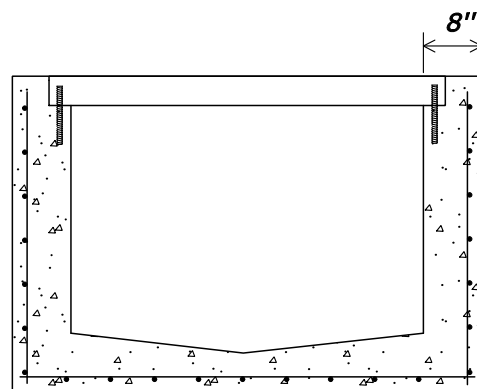
SECTION G-G



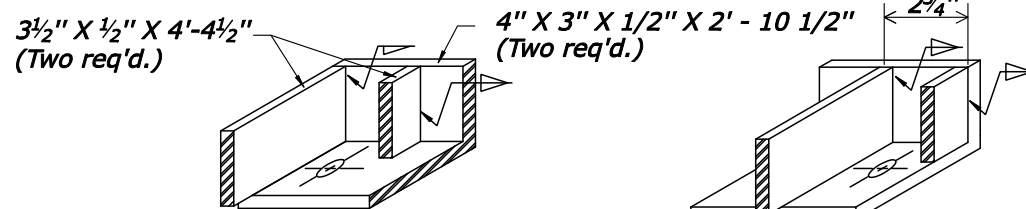
VIEW-A



VIEW-B



SECTION E-E



VIEW-B (Oblique)

VIEW-C (Oblique)

NO SCALE

U.S. DEPARTMENT OF TRANSPORTATION FEDERAL HIGHWAY ADMINISTRATION EASTERN FEDERAL LANDS HIGHWAY DIVISION	
U.S. CUSTOMARY DETAIL	
INLET TYPE 5B	
DETAIL APPROVED FOR USE	DETAIL
REVISED: 1/08	E604-04