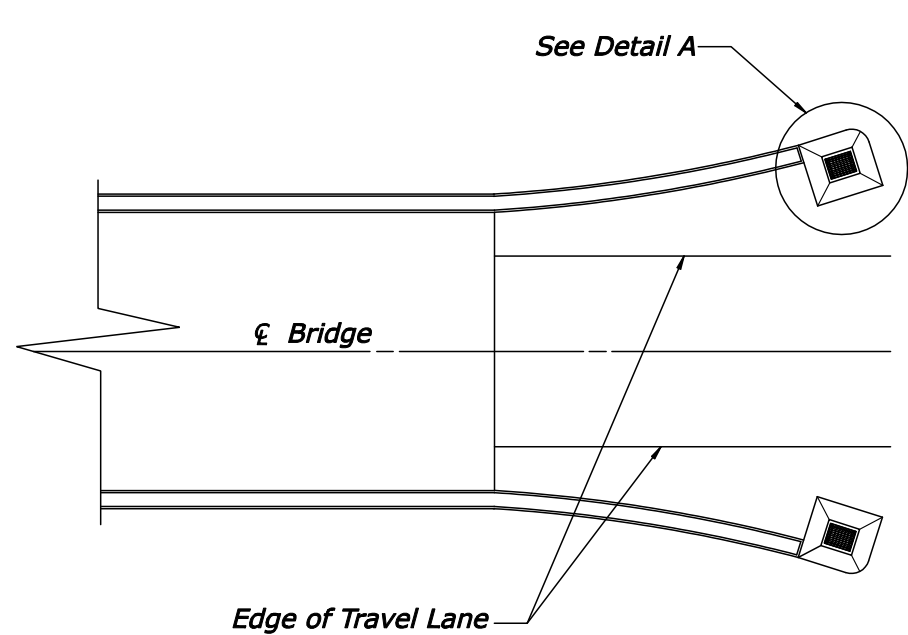
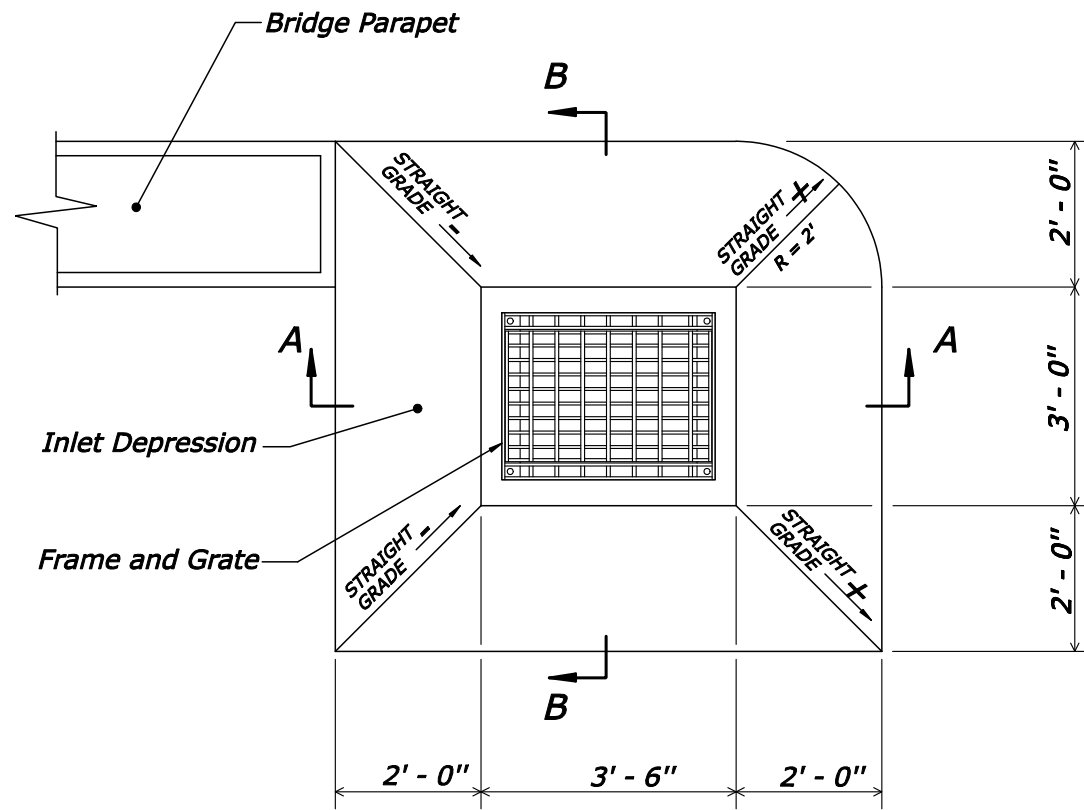


REG	STATE	PROJECT	SHEET NO.



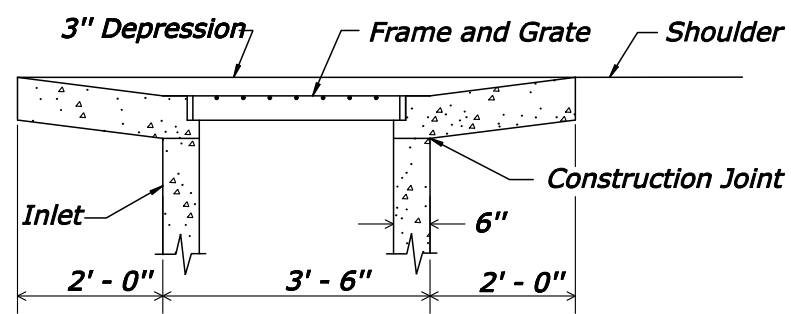
PLAN



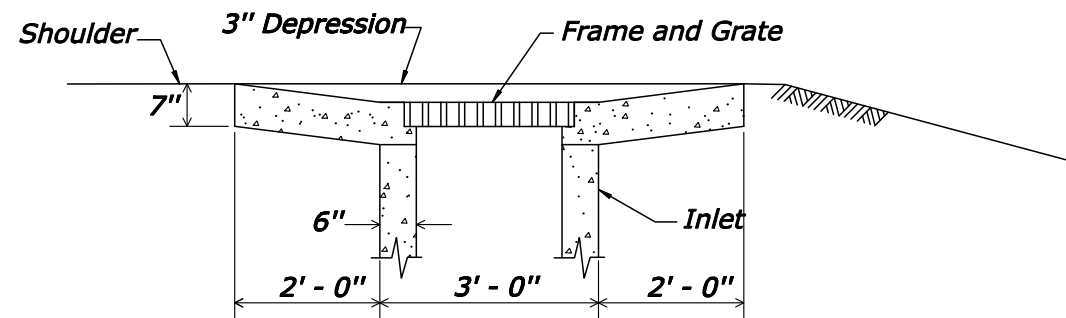
DETAIL A

Notes:

1. Unless otherwise shown, dimensions are in millimeters.
2. See Standards 604-5 and 604-6 for drop inlet and frame and grate details.



SECTION A-A



SECTION B-B

NO SCALE

4/7/2008 9:20:39 AM M:\Standard\EF\LD_Detail\Drawings\604-03.dwg

U.S. DEPARTMENT OF TRANSPORTATION FEDERAL HIGHWAY ADMINISTRATION EASTERN FEDERAL LANDS HIGHWAY DIVISION	
U.S. CUSTOMARY DETAIL	
INLET, TYPE 5A MODIFIED	
DETAIL APPROVED FOR USE	DETAIL
REVISED: 1/08	E604-03