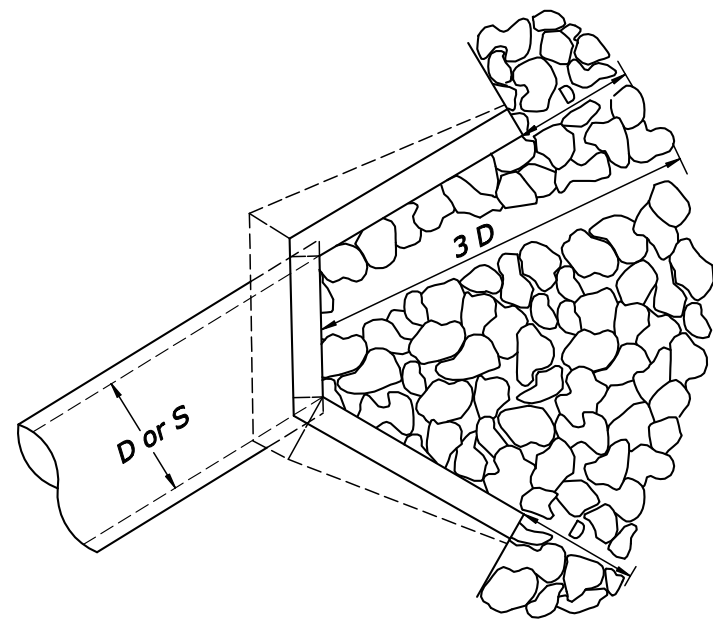
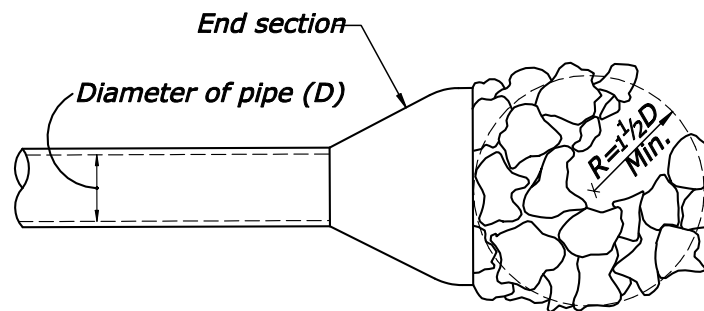


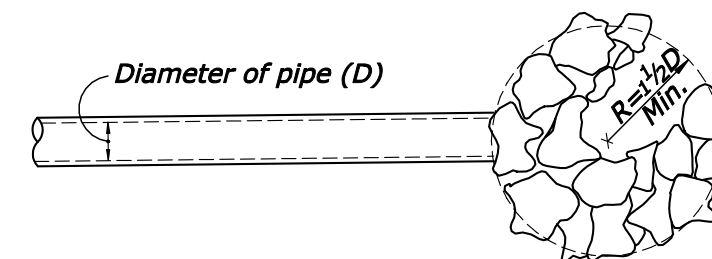
DEPTH (d)	
Riprap Class	Depth (d)-(in)
1	12
2	18
3	24
4	30
5	42
6	48



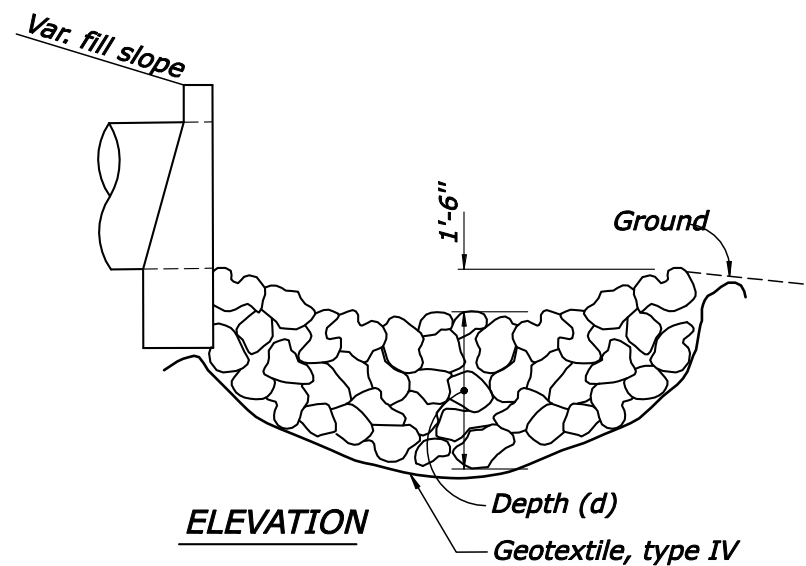
PLAN



PLAN

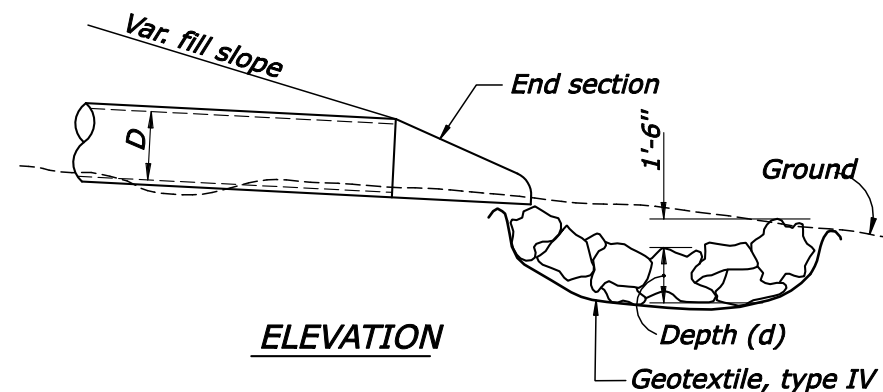


PLAN



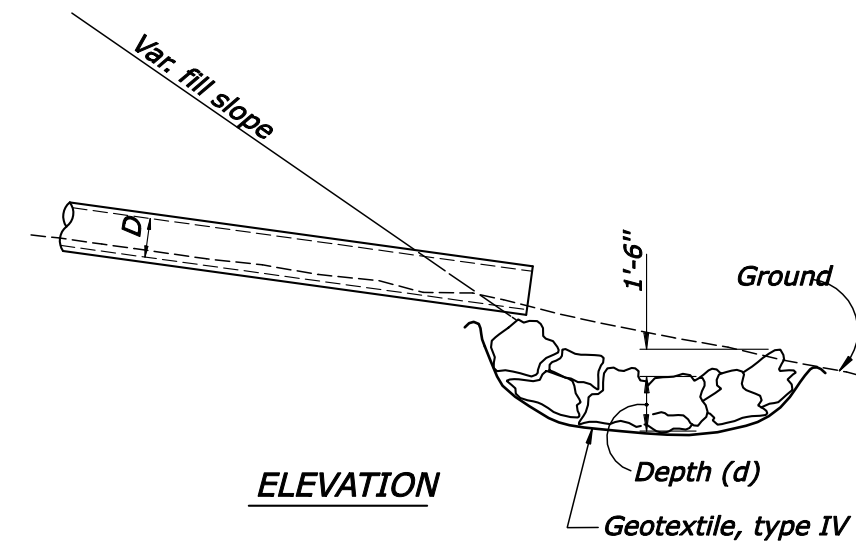
ELEVATION

CULVERT WITH HEADWALL



ELEVATION

CULVERT WITH END SECTION



ELEVATION

CULVERT WITH NO END TREATMENT

NOTE:
For arch or elliptical pipes, use equivalent diameter for (D) dimension

NO SCALE

U.S. DEPARTMENT OF TRANSPORTATION FEDERAL HIGHWAY ADMINISTRATION EASTERN FEDERAL LANDS HIGHWAY DIVISION	
U.S. CUSTOMARY DETAIL	
LOOSE RIPRAP AT CULVERT	
DETAIL APPROVED FOR USE	DETAIL
REVISED: 05/07	E251-01