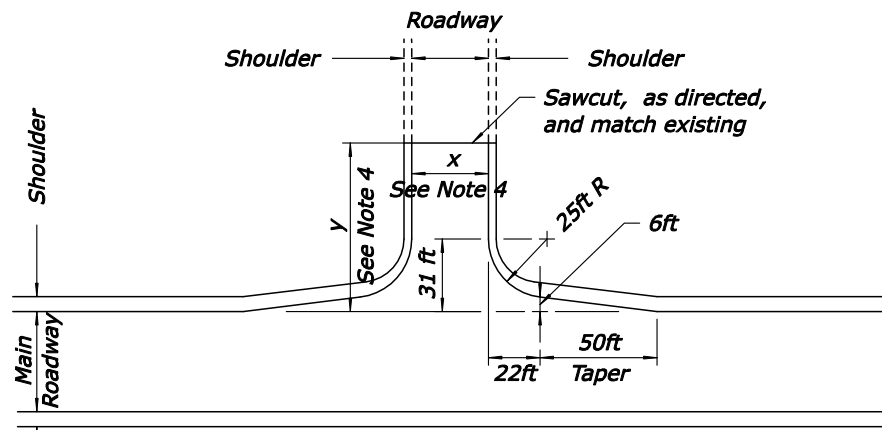


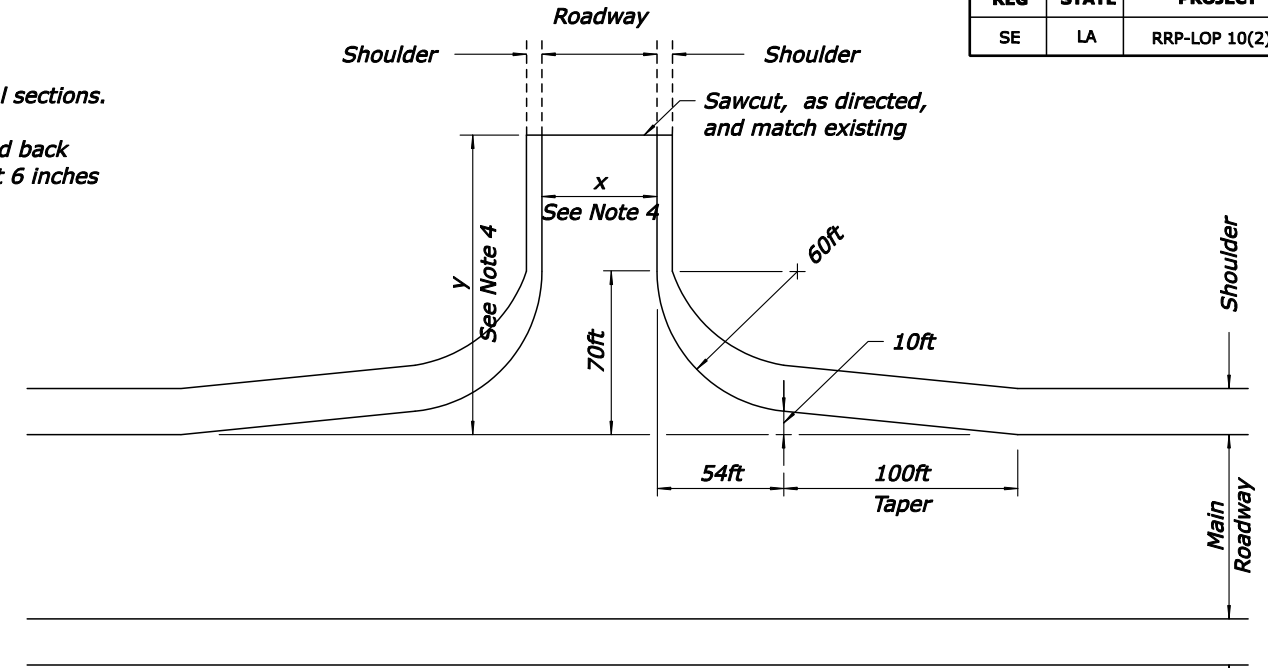
REG	STATE	PROJECT	SHEET NO.
SE	LA	RRP-LOP 10(2)	

NOTE:

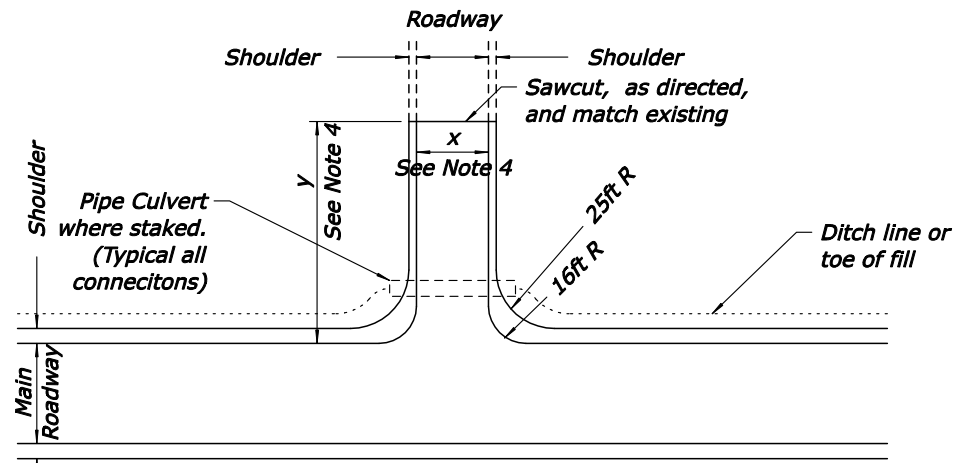
1. Match existing road connection profile, as directed.
2. For roadway surface and shoulder widths, see typical sections.
3. If drainage is necessary, the ditch line may be moved back (as shown for type C connection), to provide at least 6 inches of cover over culvert.
4. See Road Connection Schedule for dimensions.



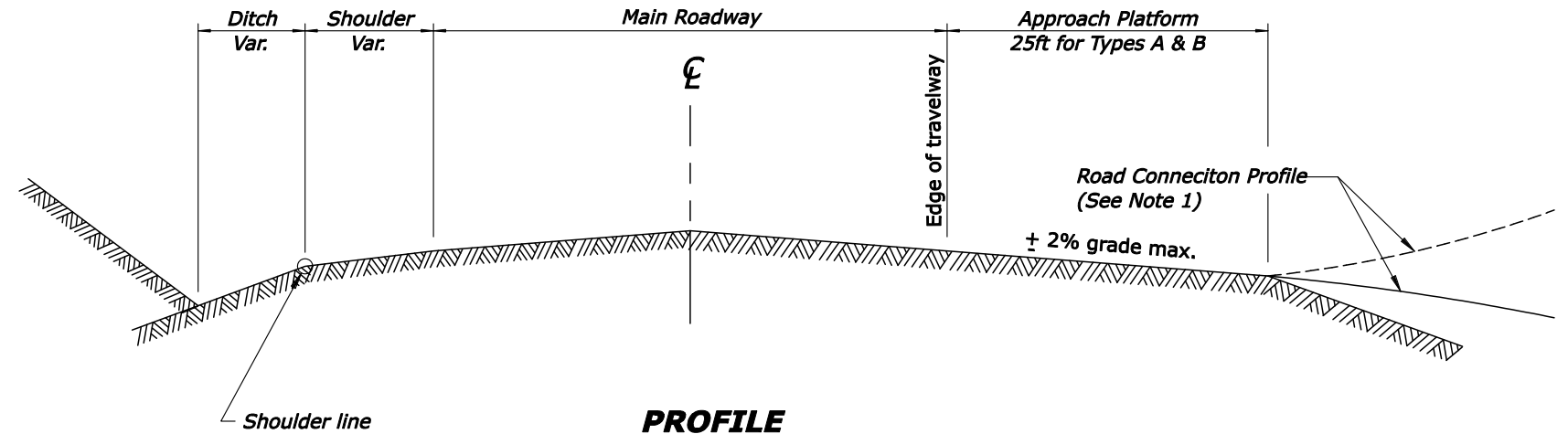
PLAN ROAD CONNECTION, TYPE B



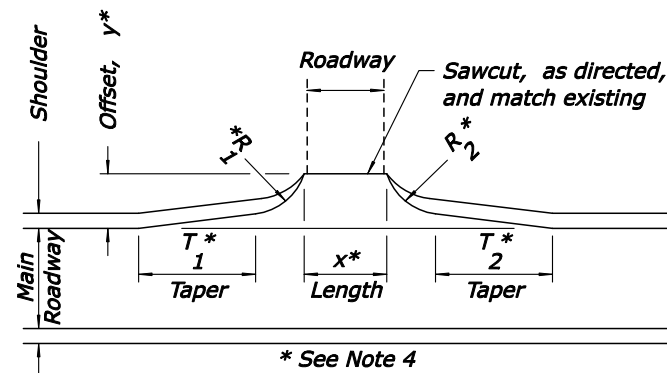
PLAN ROAD CONNECTION, TYPE A



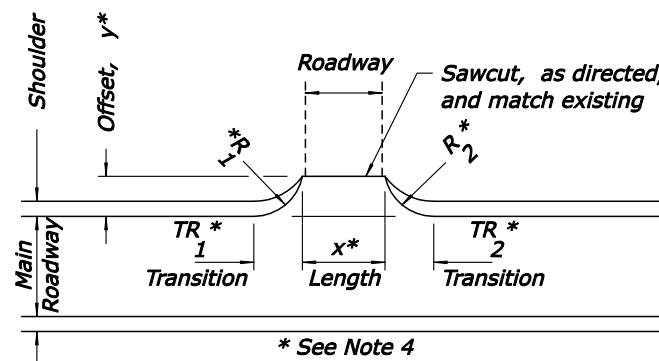
PLAN ROAD CONNECTION, TYPE C



PROFILE RIGHT ANGLE ROAD CONNECTION



PLAN ROAD CONNECTION, TYPE D



PLAN ROAD CONNECTION, TYPE E

9/19/2007 2:35:20 PM M:\Standards\FHLD_Standards & Details\10\20405_detail.dgn

NO SCALE

U.S. DEPARTMENT OF TRANSPORTATION FEDERAL HIGHWAY ADMINISTRATION EASTERN FEDERAL LANDS HIGHWAY DIVISION	
U.S. CUSTOMARY DETAIL	
ROAD CONNECTIONS	
REVISIONS: 03/03 07/07	DETAIL APPROVED FOR USE DETAIL E204-05