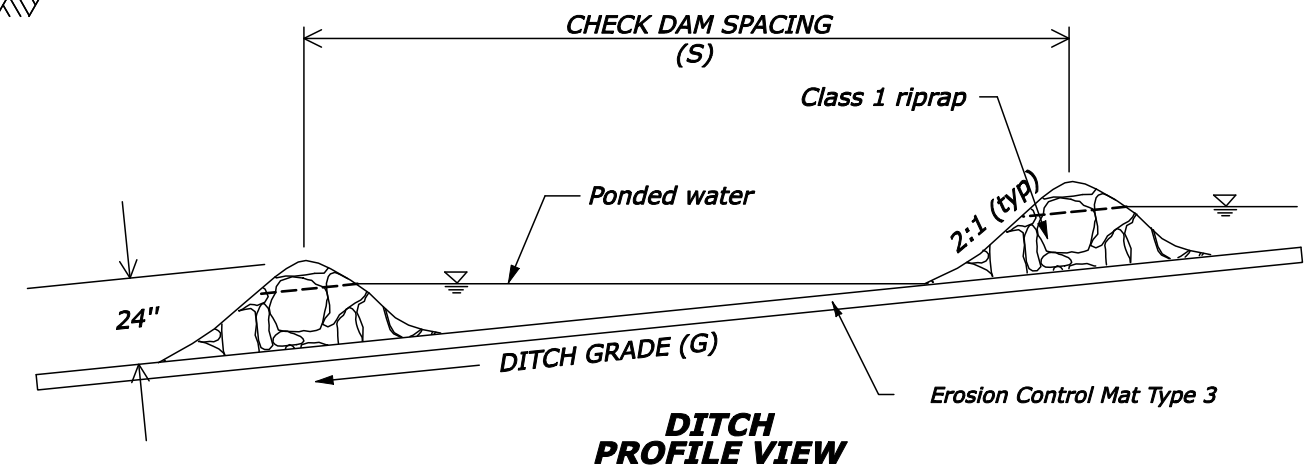
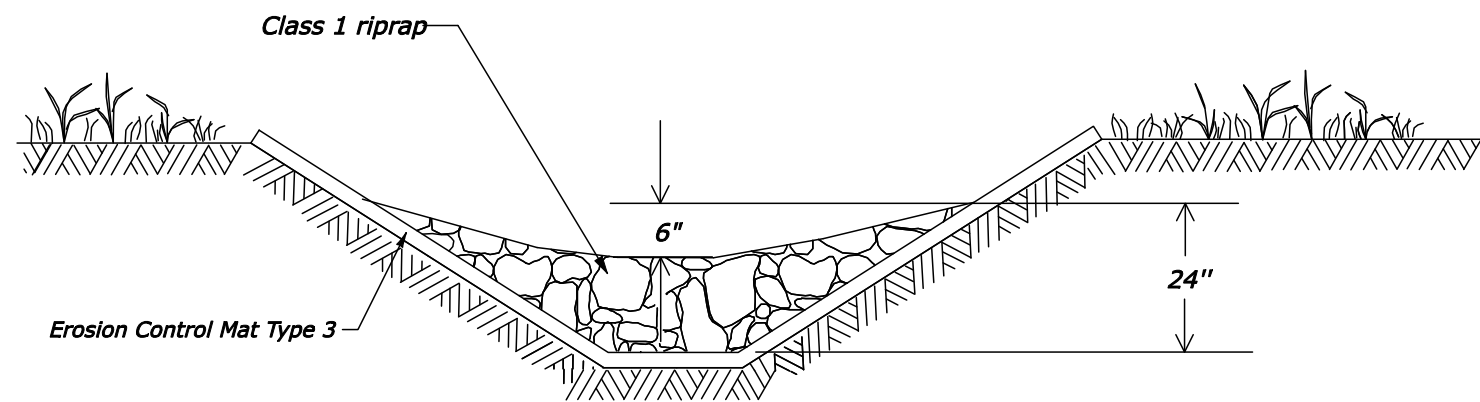


**CROSS SECTION  
V DITCH**



**DITCH  
PROFILE VIEW**



**CROSS SECTION  
TRAPEZOIDAL DITCH**

DITCH GRADE (G)	CHECK DAM SPACING(S)
2%	75 ft
3%	50 ft
4%	40 ft
5%	30 ft
6%	25 ft

NO SCALE

U.S. DEPARTMENT OF TRANSPORTATION FEDERAL HIGHWAY ADMINISTRATION EASTERN FEDERAL LANDS HIGHWAY DIVISION	
U.S. CUSTOMARY DETAIL	
<b>CHECK DAM WITH EROSION CONTROL MAT</b>	
DETAIL APPROVED FOR USE	DETAIL
REVISED: 06/99 04/07 07/07	E157-06