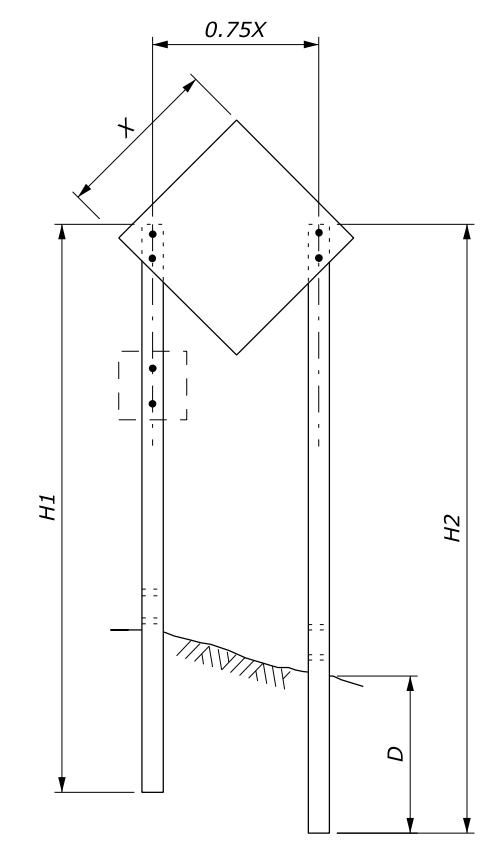
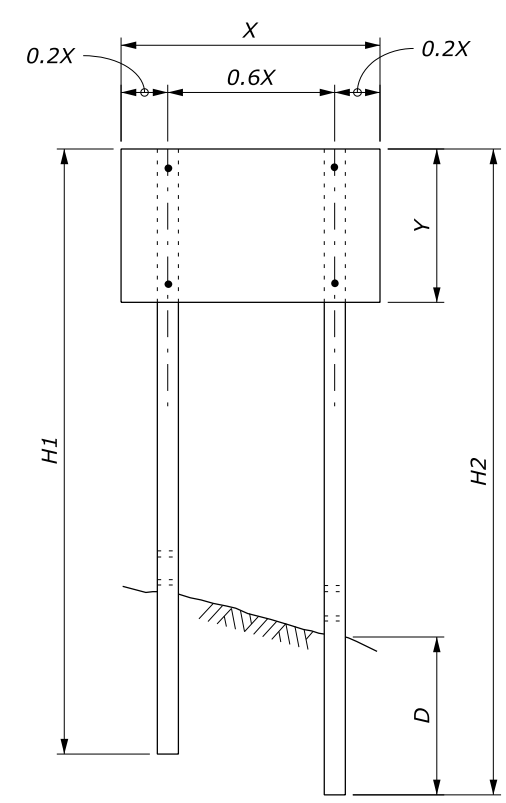


**SINGLE POST SIGN**



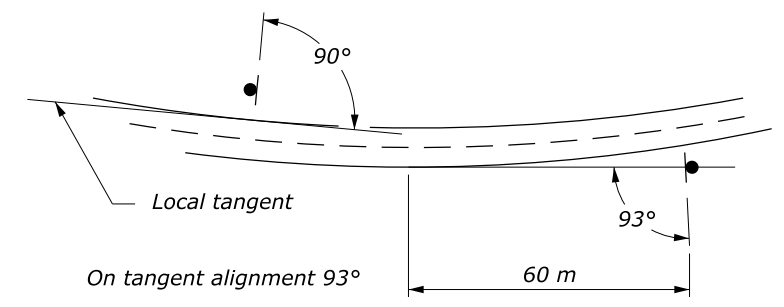
**TWO POST SIGN**



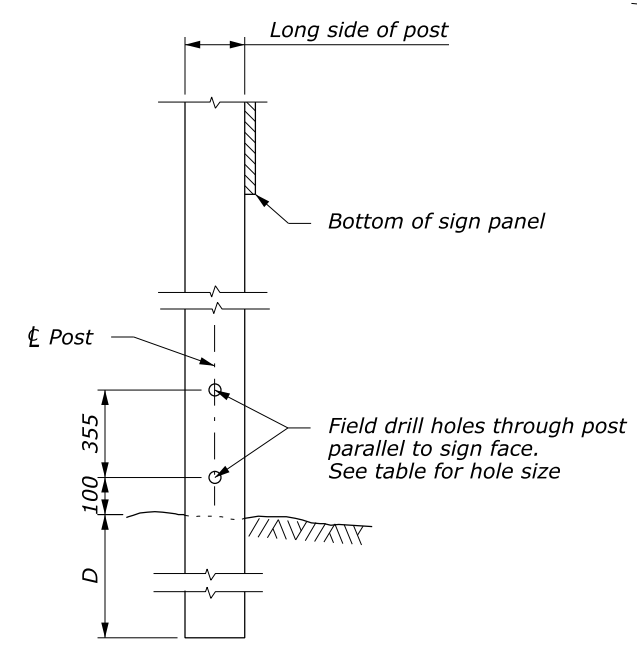
**NOTE:**

1. Attach sign panels with a minimum of 2 - 6.25 mm Ø bolts per post.
2. H1 and H2 = Overall post length. Select post lengths to fit field conditions.
3. D = Post embedment depth for average soil conditions.
4. In rural areas where lateral distance is limited, a minimum lateral offset of 600 mm may be used. In urban areas, a minimum lateral offset of 300 mm behind the face of the curb may be used.
5. In pedestrian locations, or in areas where the view is obstructed, use 2.1 m minimum mounting height for main sign and 1.8 m minimum mounting height for secondary sign.
6. Use 2.1 m minimum spacing between posts for sign posts 150 mm x 150 mm or larger.
7. State standards may be used as an alternative if approved by the CO.
8. Dimensions without units are millimeters.

<b>WOOD POST SELECTION TABLE</b>					
WIDTH "X"	AREA (m <sup>2</sup> )	NUMBER OF POSTS	POST SIZE (mm)	D (mm)	HOLE SIZE (mm)
Diamond ≤ 915 mm Other Shapes ≤ 1220 mm	< 0.9	1	100 x 100	900	0
		1	100 x 150	1200	40
Diamond ≤ 1220 mm	0.9 - 1.9	1	150 x 150	1200	50
Diamond ≤ 1220 mm Other Shapes ≤ 3.7 m	0.9 - 1.9	2	100 x 100	900	0
		2	100 x 150	1200	40
> 4 m	4.6 - 6.0	2	150 x 150	1200	50
3.7 m - 4.9 m	4.6 - 6.0	3	100 x 150	1200	40
> 5 m	6.0 - 8.9	4	100 x 150	1200	50
> 9 m	6.0 - 8.9	3	150 x 150	1200	50



**SIGN INSTALLATION ANGLE**



**POST DETAIL**

NO SCALE

U.S. DEPARTMENT OF TRANSPORTATION FEDERAL HIGHWAY ADMINISTRATION FEDERAL LANDS HIGHWAY	
METRIC STANDARD	
<b>TEMPORARY TRAFFIC CONTROL SIGN INSTALLATION WOOD POSTS</b>	
STANDARD APPROVED FOR USE 6/2005	STANDARD
REVISED: DRAFT: 9/2011	M635-14