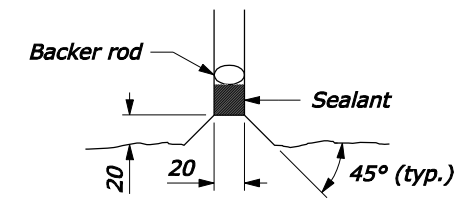
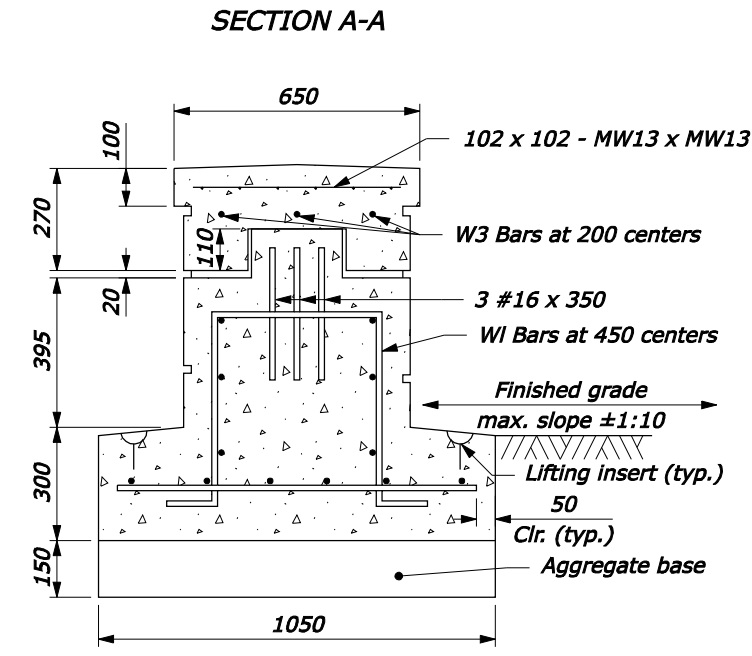
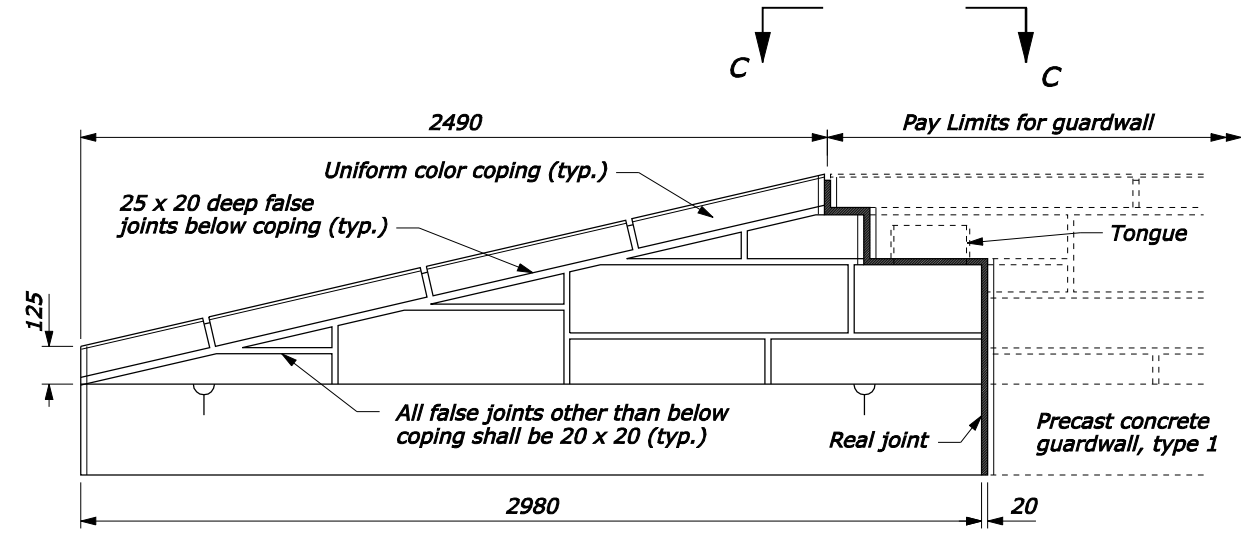


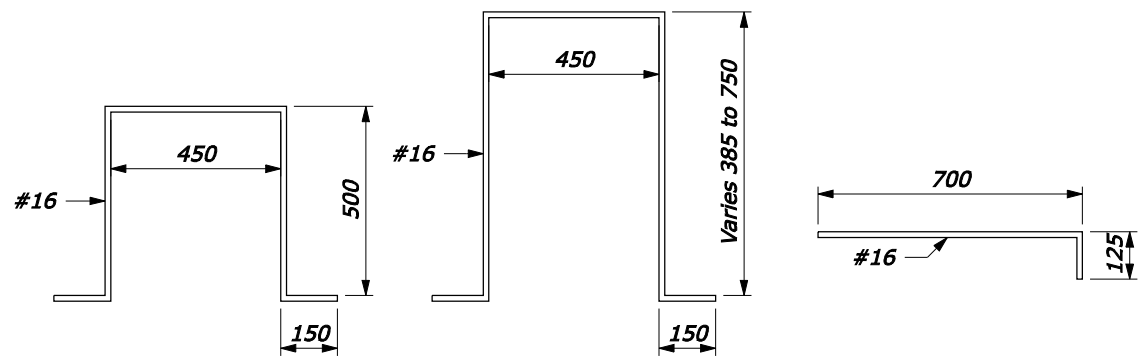
- NOTE:**
1. Terminal sections, Type A and Type B, are to interlock with any of the precast concrete guardwall segments.
  2. Sealant for the real joint covers the perimeter joint of the capstone, sides, and top and sides of the footing.
  3. Precast the entire wall section, no cast-in-place is allowed.
  4. Minimum concrete cover 50 mm unless shown otherwise.
  5. Ensure guardwall terminal section is outside the clear zone by using appropriate flare rate in guardwall layout (see Standard M618-2) and as directed by CO.
  6. Dimensions without units are millimeters.



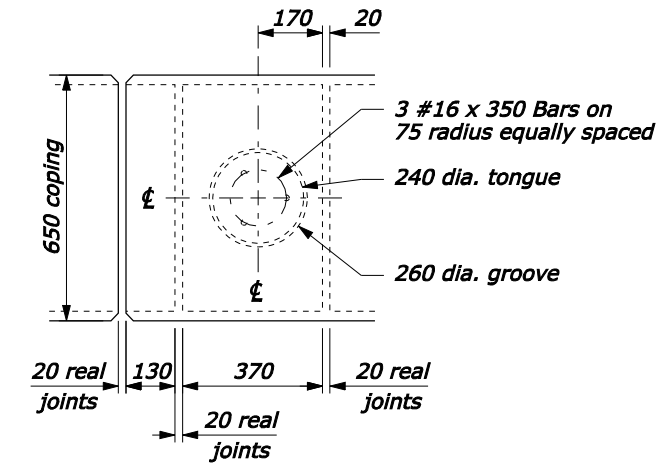
**TYPE B**  
**TERMINAL SECTIONS**

**SECTION B-B**

**REAL JOINTS DETAIL**



**BENDING DIAGRAMS**



**SECTION C-C**

NO SCALE

U.S. DEPARTMENT OF TRANSPORTATION  
FEDERAL HIGHWAY ADMINISTRATION  
FEDERAL LANDS HIGHWAY

METRIC STANDARD  
**PRECAST CONCRETE  
GUARDWALL, TYPE 1,  
TERMINAL SECTIONS,  
TYPE A AND B**

STANDARD APPROVED FOR USE 3/1996  
REVISED: 5/1997 6/2005

STANDARD  
**M618-3**

fp://196.145.188.2/scd\_plan/s61803.dgn [Metric] 05-Nov-2007 09:50 AM