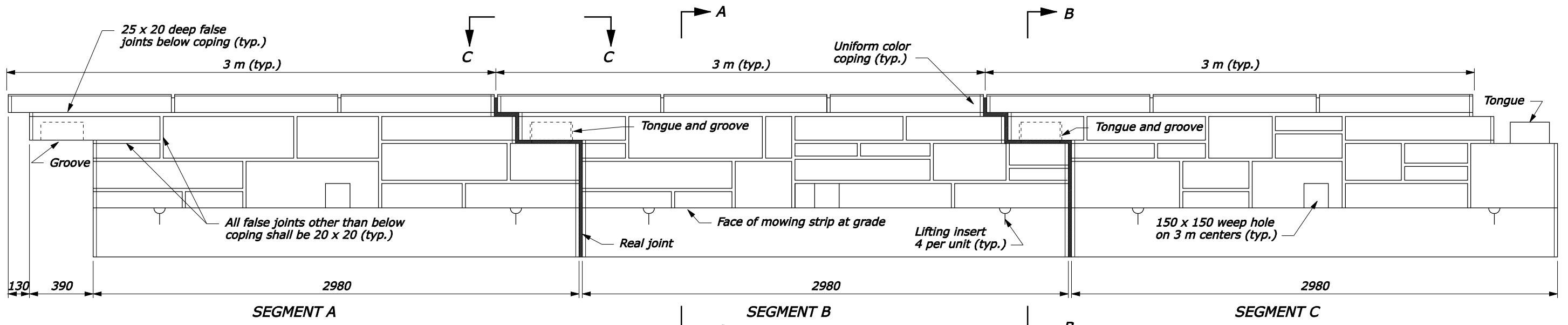


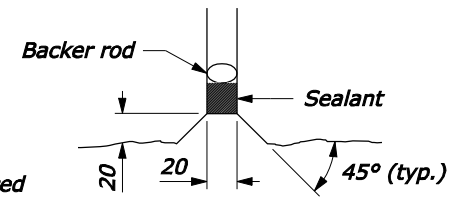
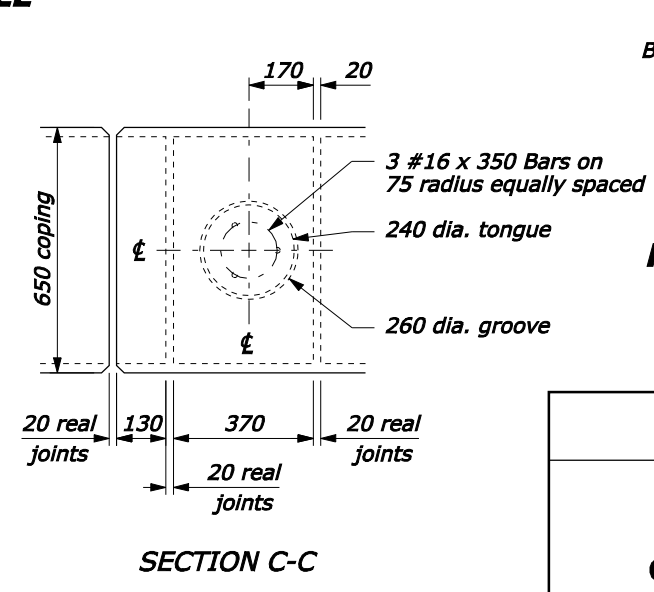
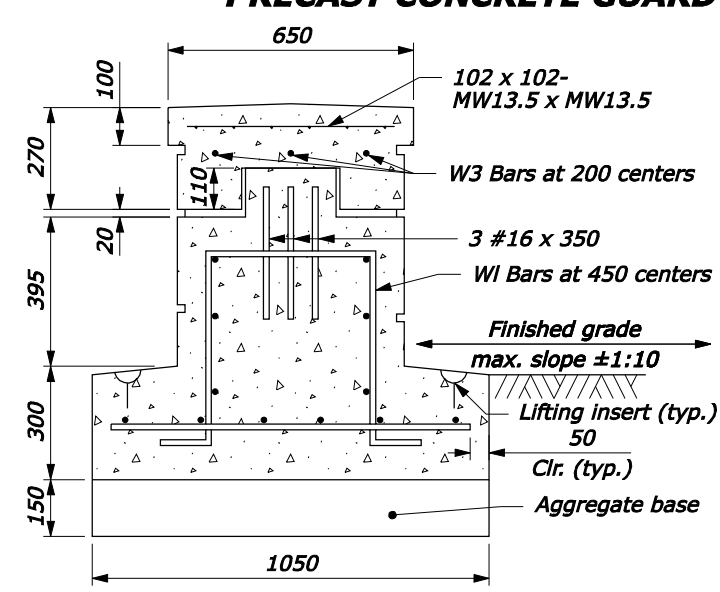
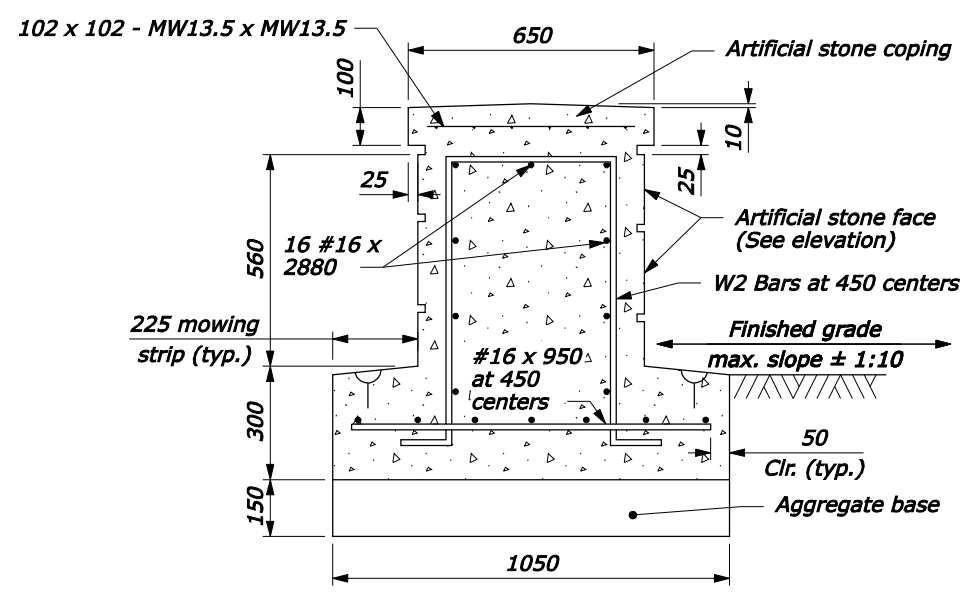
Design Speed (km/h)	Shy line offset (m)	Flare rate inside shy line (a:b)	Flare rate outside shy line (a:b)
100	2.4	26:1	14:1
80	2.0	21:1	11:1
60	1.4	16:1	8:1
50 or less	1.0	13:1	7:1

- NOTE:**
- Each unit consists of three segments each of which have a different random masonry pattern as shown. All three segments are to interlock with each other to vary the order.
 - Sealant for the real joint covers the perimeter joint of the capstone, sides, and top and sides of the footing.
 - Precast the entire wall section, no cast-in-place is allowed.
 - Minimum concrete cover 50 mm unless shown otherwise.
 - Dimensions not labeled are in millimeters.

BENDING DIAGRAMS



PRECAST CONCRETE GUARDWALL



U.S. DEPARTMENT OF TRANSPORTATION
FEDERAL HIGHWAY ADMINISTRATION
FEDERAL LANDS HIGHWAY
METRIC STANDARD

PRECAST CONCRETE GUARDWALL, TYPE 1

STANDARD APPROVED FOR USE 3/1996
REVISED: 6/1997 6/2005

STANDARD M618-2

NO SCALE

05-Nov-2007 09:20 AM
ftp://198.145.188.2/scl_plan/s61802.dgn [Metric]