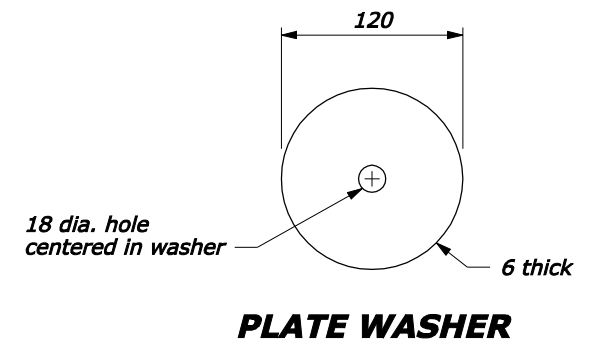
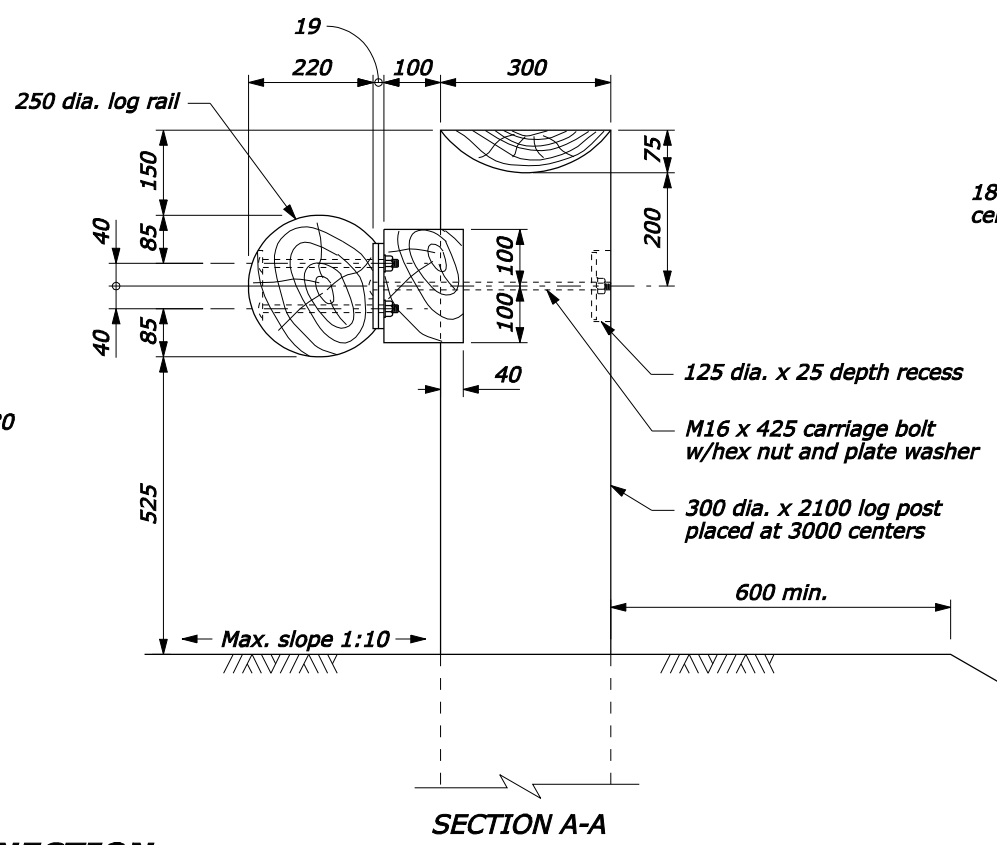
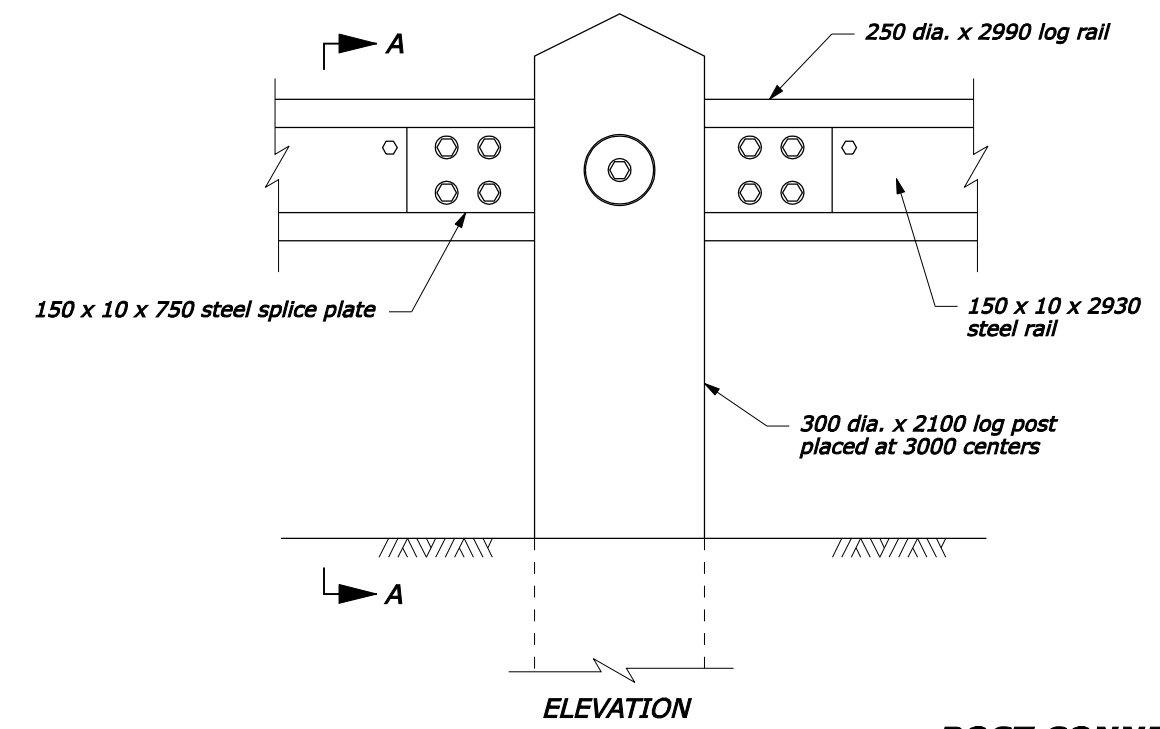
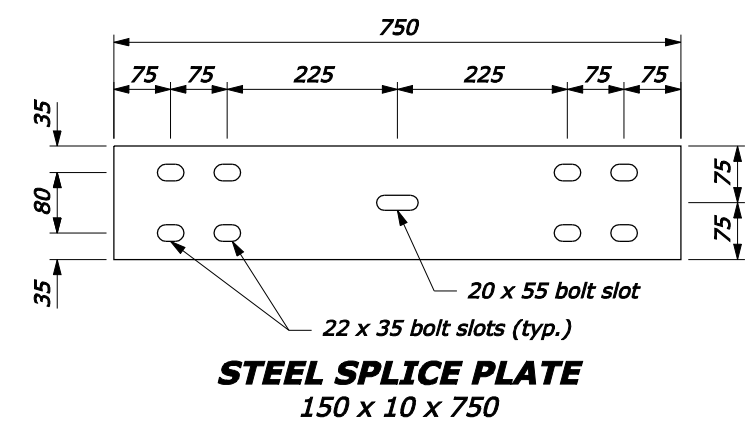
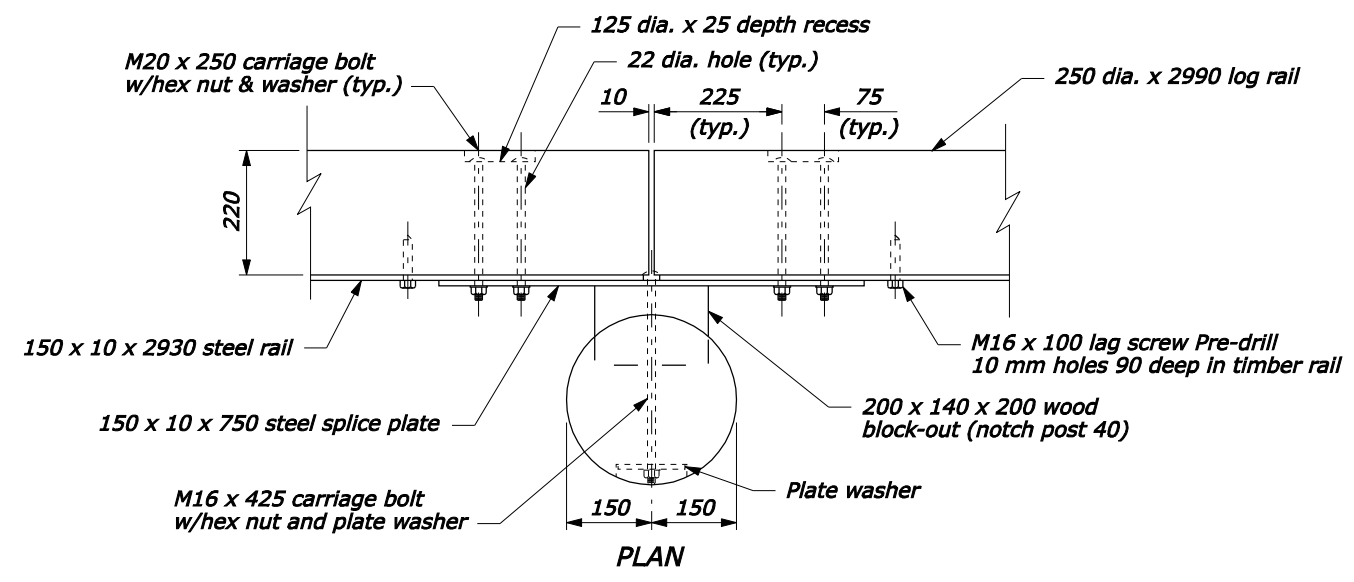


- NOTE:**
1. For details of the wood block-out, post notch, and general notes for Steel-Backed Log Guardrail. See Standard M617-81.
  2. Furnish hardware in the metric sizes shown. Equivalent US Customary sizes may be used when metric sizes are not available.
  3. Dimensions without units are millimeters.



**POST CONNECTION**

NO SCALE

U.S. DEPARTMENT OF TRANSPORTATION FEDERAL HIGHWAY ADMINISTRATION FEDERAL LANDS HIGHWAY	
METRIC STANDARD	
<b>STEEL-BACKED LOG RAIL</b>	
STANDARD APPROVED FOR USE 3/1996	STANDARD
REVISED: 6/2005	<b>M617-80</b>

24-Sep-2007 07:25 AM F:\StandDraw\std61780.dgn [Metric]