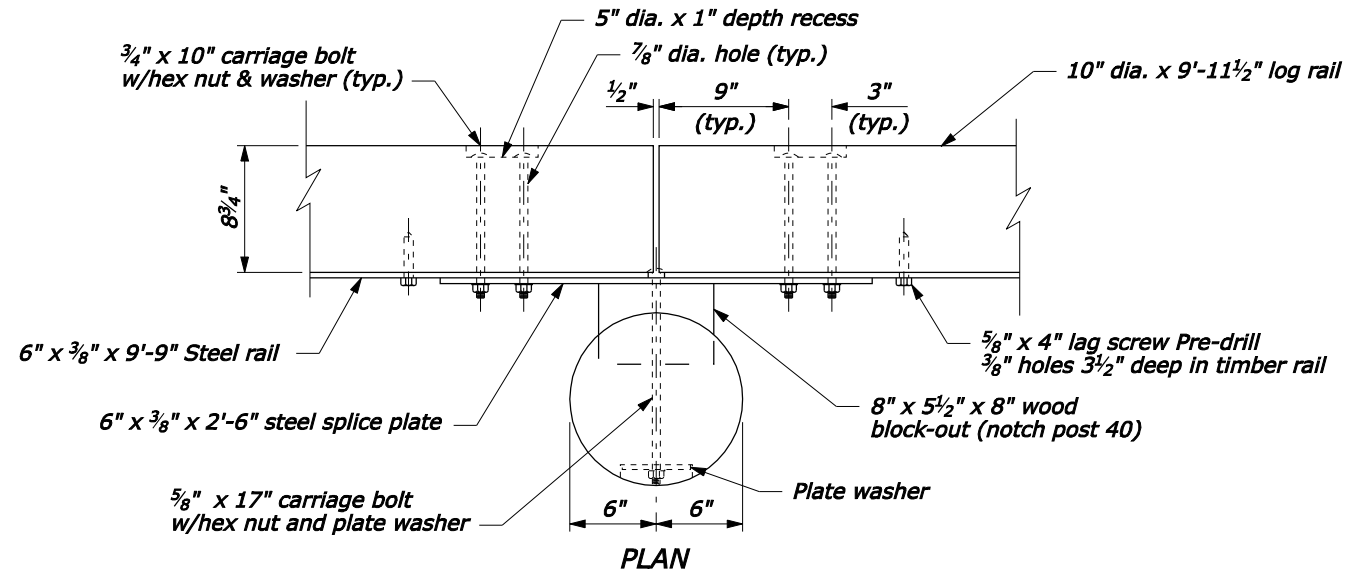
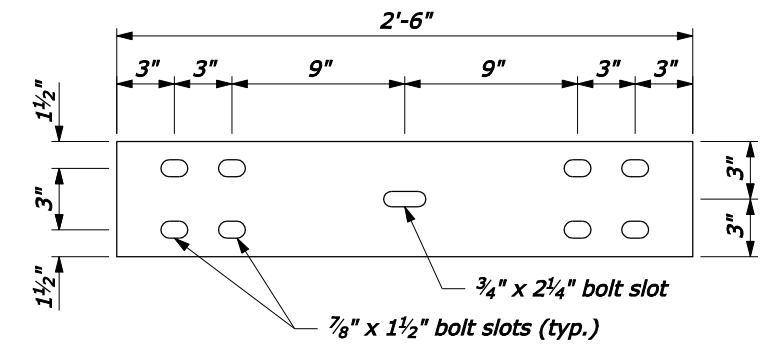


STEEL RAIL
6" x 3/8" x 9'-9"

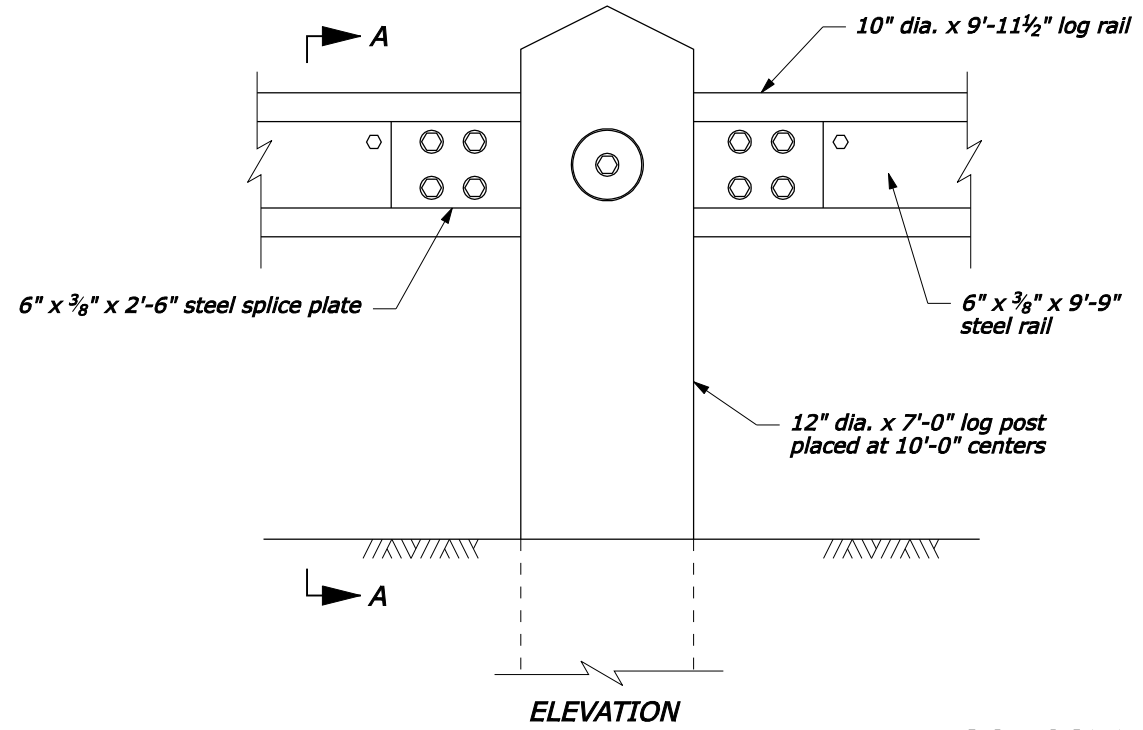
NOTE:
1. For details of the wood block-out, post notch, and general notes for Steel-Backed Log Guardrail. See Standard 617-81.



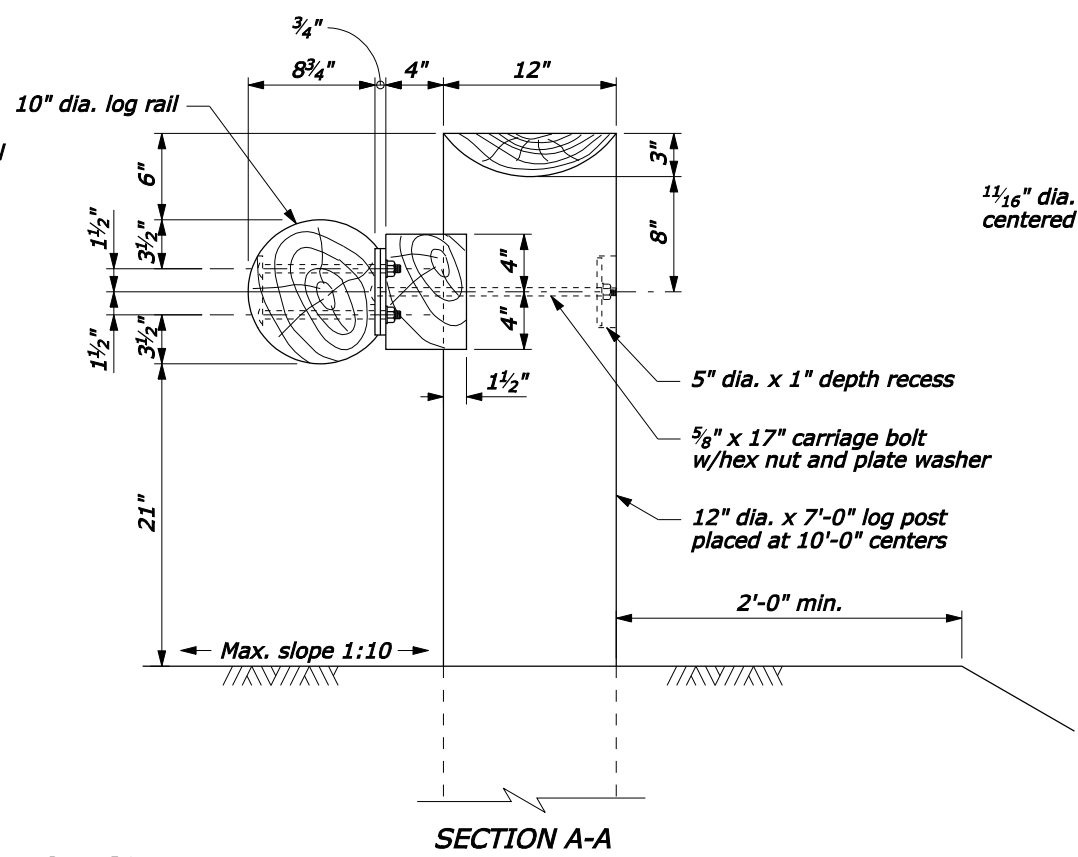
PLAN



STEEL SPLICE PLATE
6" x 3/8" x 2'-6"



ELEVATION



SECTION A-A

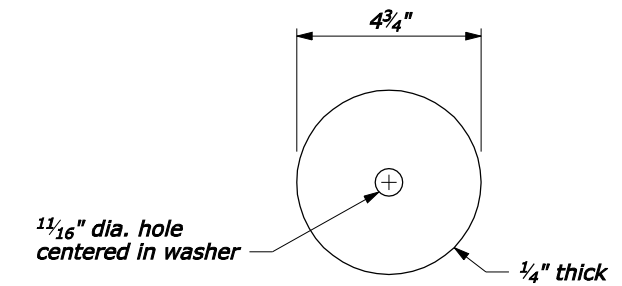


PLATE WASHER

POST CONNECTION

NO SCALE

U.S. DEPARTMENT OF TRANSPORTATION FEDERAL HIGHWAY ADMINISTRATION FEDERAL LANDS HIGHWAY	
U.S. CUSTOMARY STANDARD	
STEEL-BACKED LOG RAIL	
STANDARD APPROVED FOR USE 6/2005	STANDARD
REVISED:	617-80