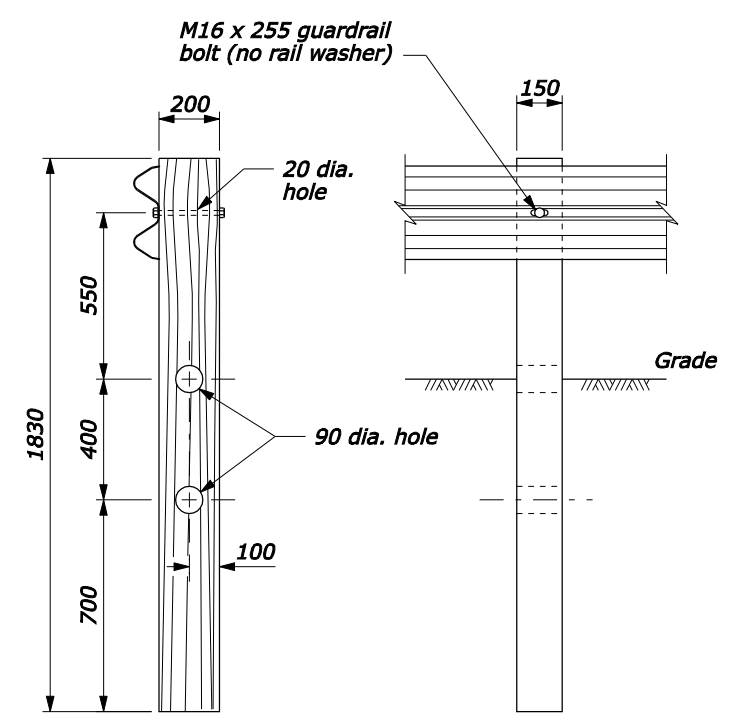
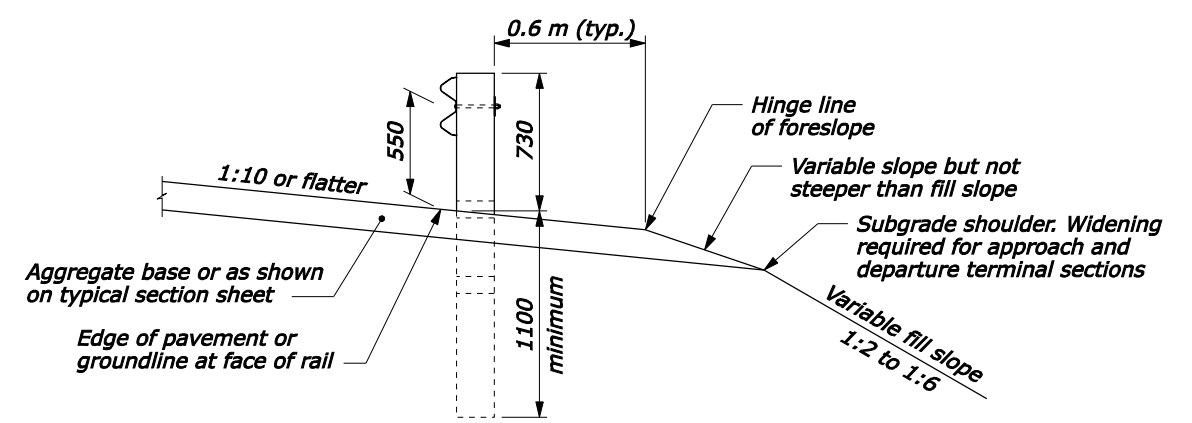


RADIUS (m)	ANGLE	NUMBER OF CRT POSTS (See note 1)	AREA FREE OF FIXED OBJECTS (m)	
			L	W
2.6	75°-105°	5	7.5	4.5
	75°-90°	6	9.0	4.5
5.2	90°-105°	7	12.0	6.0
	75°	7		
	105°	9		
7.8	75°	7	15.0	6.0
	90°	8		
	105°	9		
10.7	75°	9	15.0	6.0
	90°	11		
		105°		

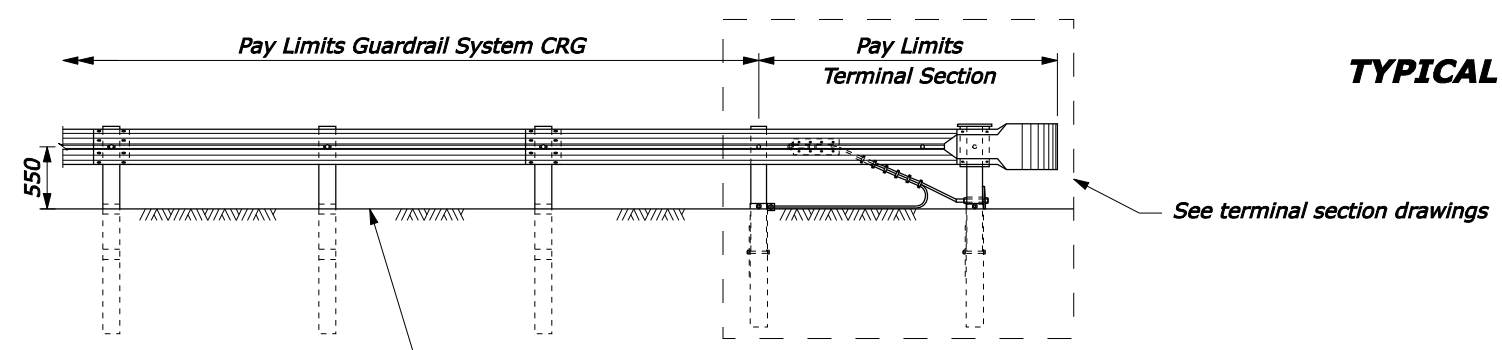


CRG POST DETAIL

- NOTE:**
- CRT posts include those posts between the terminal and PT, plus the post w/blockout at the In-line anchor.
 - See Standard M617-22 for terminal section, Type CRT details. The use of this terminal is limited to driveways, road approaches and low speed minor road connections. Do not use on mainline roadways.
 - Dimensional tolerances not shown or implied are intended to be those consistent with the proper functioning of the part, including its appearance, and accepted manufacturing practices.
 - Furnish hardware in the metric sizes shown. Equivalent US Customary sizes may be used when metric sizes are not available.
 - Dimensions without units are millimeters.



TYPICAL GUARDRAIL CROSS SECTION



ELEVATION
GUARDRAIL SYSTEM CRG WITH CRT POSTS

NO SCALE

U.S. DEPARTMENT OF TRANSPORTATION FEDERAL HIGHWAY ADMINISTRATION FEDERAL LANDS HIGHWAY	
METRIC STANDARD	
CRG W-BEAM GUARDRAIL WOOD POSTS	
STANDARD APPROVED FOR USE 3/1996	STANDARD
REVISED: 12/1998 6/2005 DRAFT: 3/2006	M617-21

20-Mar-2006 01:28 PM F:\StandDraw\std61721.dgn [Metric]