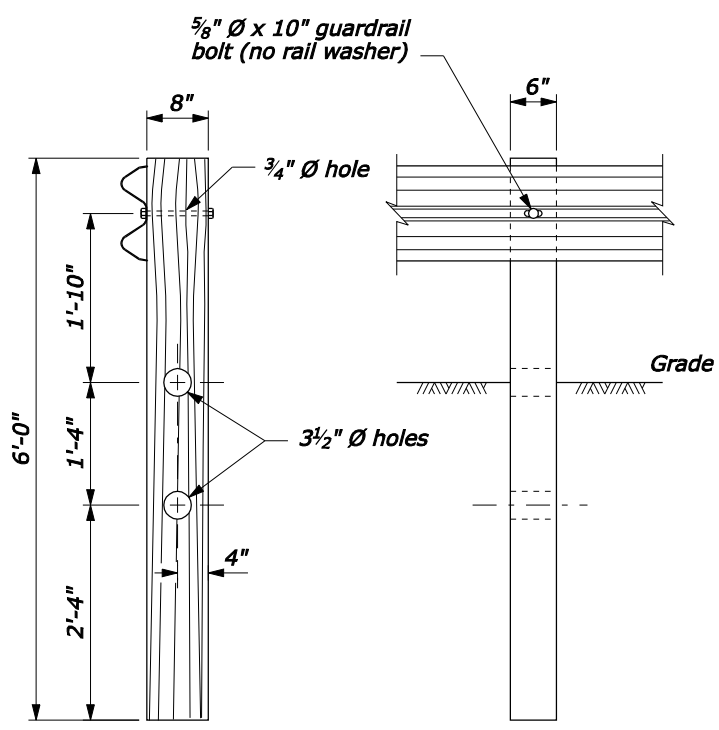
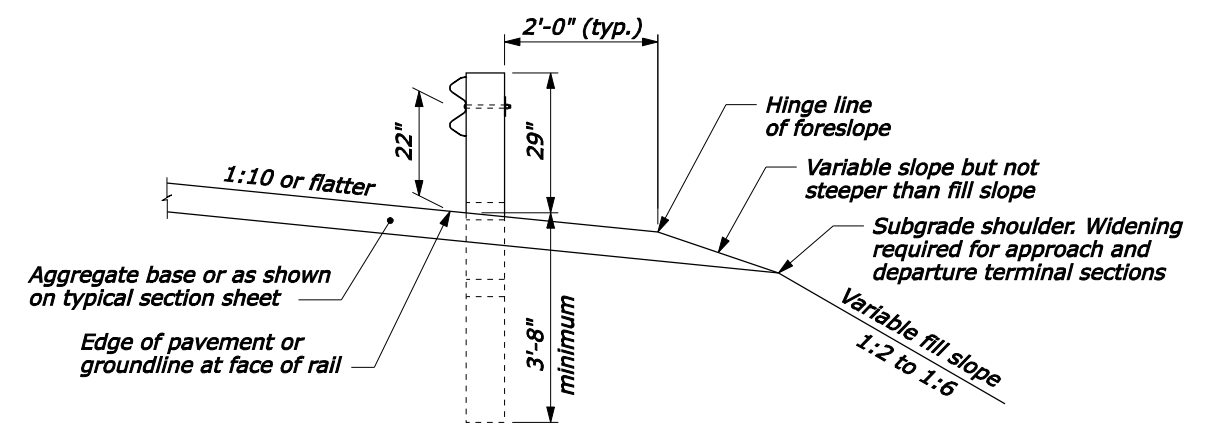


| RADIUS | ANGLE | NUMBER OF CRT POSTS (See note 1) | AREA FREE OF FIXED OBJECTS (ft) | |
|--------|----------|-------------------------------------|------------------------------------|----|
| | | | L | W |
| 8'-6" | 75°-105° | 5 | 25 | 15 |
| 17'-0" | 75°-90° | 6 | 30 | 15 |
| | 90°-105° | 7 | | |
| 25'-6" | 75° | 7 | 40 | 20 |
| | 105° | 9 | | |
| 35'-0" | 75° | 9 | 50 | 20 |
| | 90° | 11 | | |
| | 105° | 12 | | |

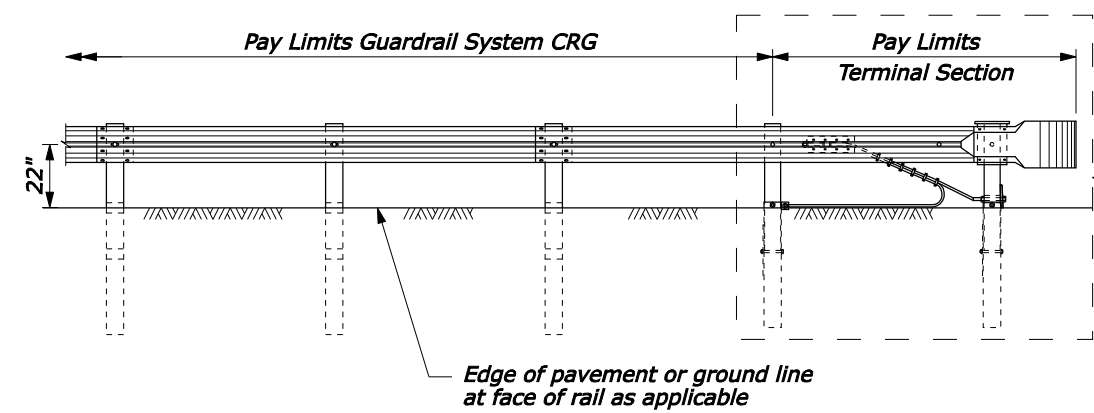


CRG POST DETAIL

- NOTE:**
1. CRT posts include those posts between the terminal and PT, plus the post w/blockout at the In-line anchor.
 2. See Standard 617-22 for terminal section, Type CRT details. The use of this terminal is limited to driveways, road approaches and low speed minor road connections. Do not use on mainline roadways.
 3. Dimensional tolerances not shown or implied are intended to be those consistent with the proper functioning of the part, including its appearance, and accepted manufacturing practices.



TYPICAL GUARDRAIL CROSS SECTION



ELEVATION
GUARDRAIL SYSTEM CRG WITH CRT POSTS

NO SCALE

| | |
|--|----------|
| U.S. DEPARTMENT OF TRANSPORTATION FEDERAL HIGHWAY ADMINISTRATION FEDERAL LANDS HIGHWAY | |
| U.S. CUSTOMARY STANDARD | |
| CRG W-BEAM GUARDRAIL WOOD POSTS | |
| STANDARD APPROVED FOR USE 1/1994 | STANDARD |
| REVISED: 4/1994 6/2005 | 617-21 |
| DRAFT: 3/2006 | |

20-Mar-2006 11:04 AM F:\StdDraw\std61721.dgn [US Customary]