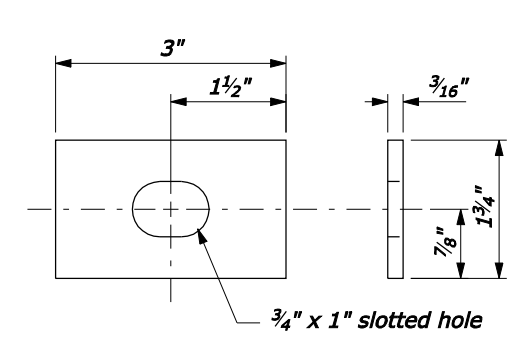
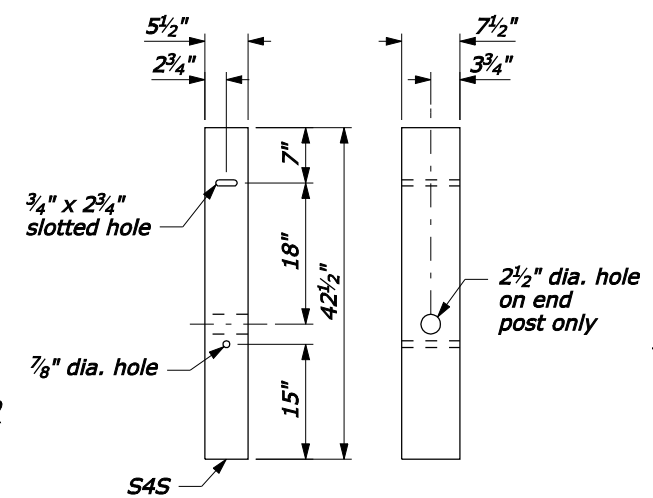


**ANCHOR PLATE DETAILS FOR LST ANCHORAGE ASSEMBLY**

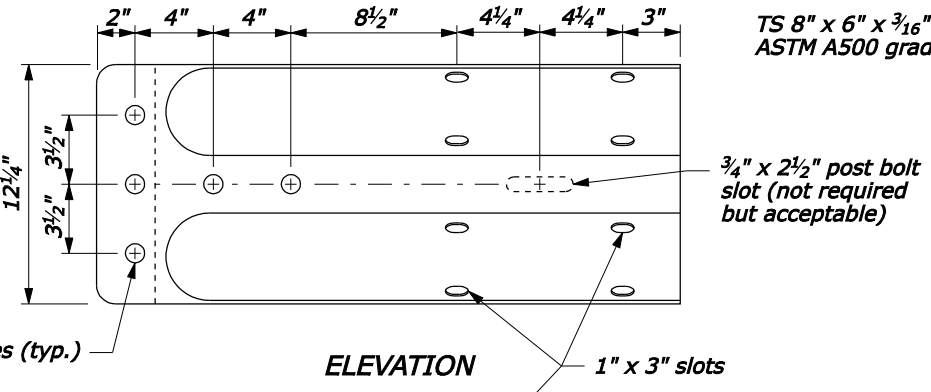
**NOTE:**  
 1. Dimensional tolerances not shown or implied are intended to be those consistent with the proper functioning of the part, including its appearance, and accepted manufacturing practices.



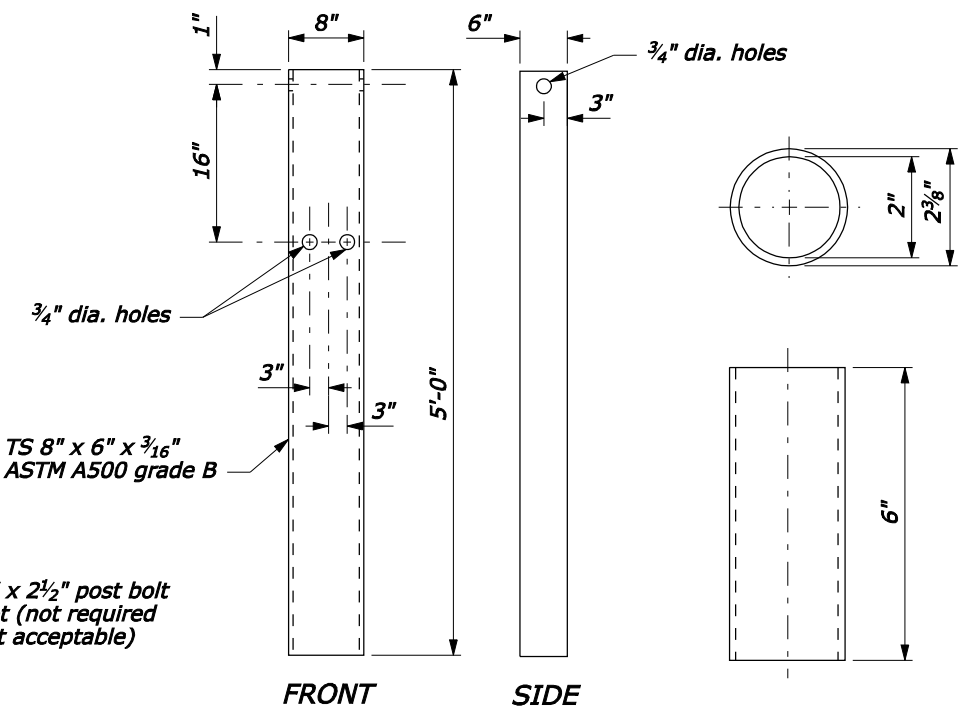
**RECTANGULAR PLATE WASHER**  
 (Use to attach the section to the post of anchorage assembly)



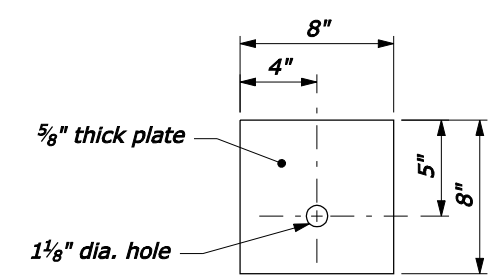
**TERMINAL POST**



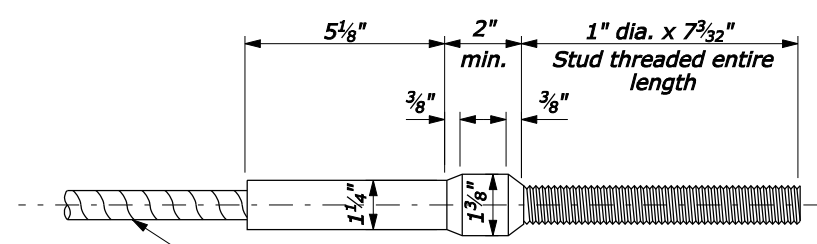
**TERMINAL CONNECTOR**



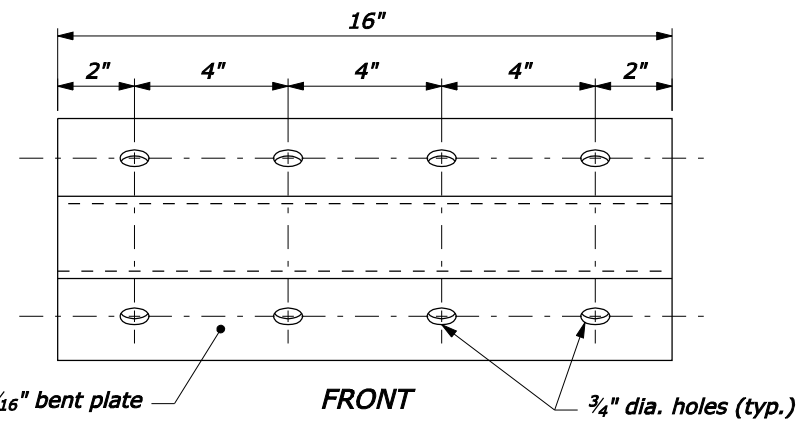
**STEEL TUBE ANCHOR POST SLEEVE**



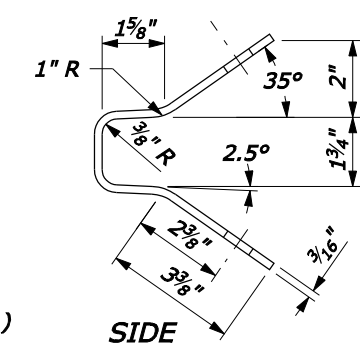
**BEARING PLATE**



**CABLE ASSEMBLY**  
 (Standard swaged fitting and stud)



**GUARDRAIL ANCHOR PLATE**



**SOIL PLATE**  
 (2 REQUIRED)

U.S. DEPARTMENT OF TRANSPORTATION  
 FEDERAL HIGHWAY ADMINISTRATION  
 FEDERAL LANDS HIGHWAY

U.S. CUSTOMARY STANDARD

**G4 W BEAM GUARDRAIL  
 MELT, LST & CRT ANCHORAGE  
 ASSEMBLY DETAILS**

STANDARD APPROVED FOR USE 1/1994  
 STANDARD 617-15

REVISED: 4/1994 6/2005  
 DRAFT: 3/2007

NO SCALE

12-Mar-2007 07:32 AM F:\StdDraw\661715.dgn [US Customary]