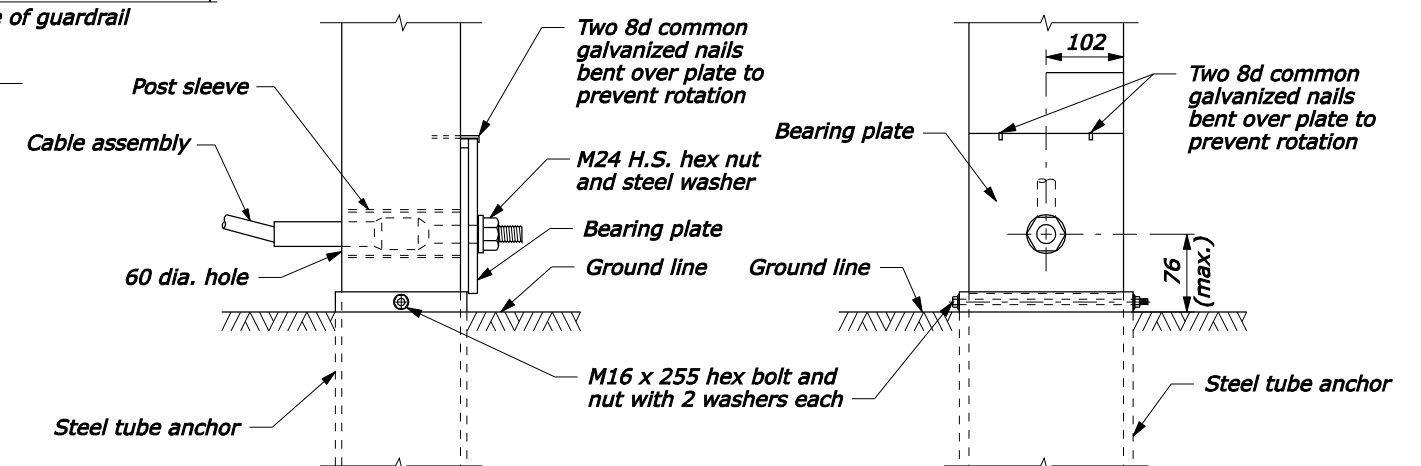


**PLAN**

**NOTE:**

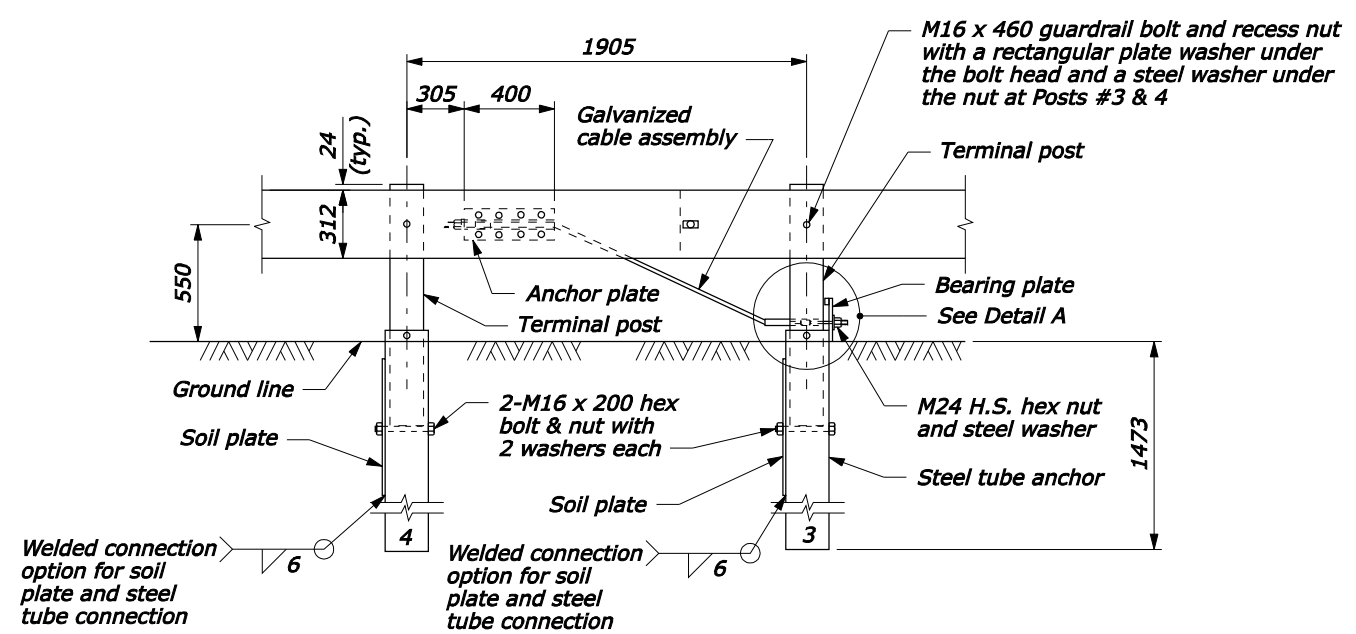
1. Pay limits for terminal section type LST include the in-line anchorage assembly at the last two posts of G4 guardrail.
2. Use offset from face of rail to slope break as shown unless otherwise shown on plan.
3. Posts 1 and 2 are standard guardrail posts. See Standard M617-10 for details.
4. See Standard M617-15 for other details.
5. Do not use LST terminal where speeds are in excess of 70 km/h [45 MPH].
6. Dimensions without units are millimeters.



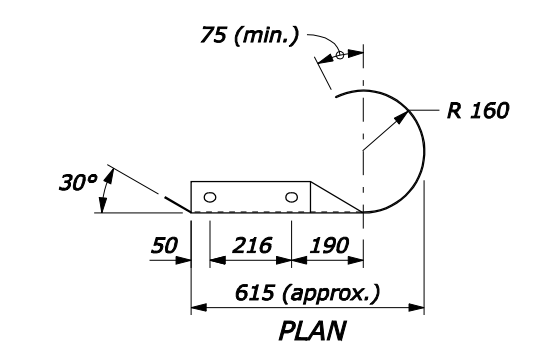
**FRONT**

**RIGHT SIDE**

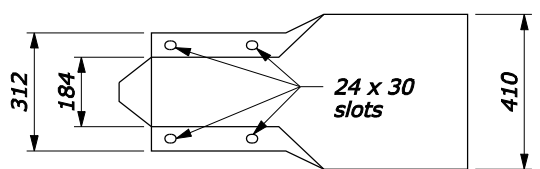
**DETAIL A**



**IN-LINE ANCHORAGE ASSEMBLY ELEVATION**



**PLAN**



**ELEVATION**

**ROUND END SECTION**

NO SCALE

U.S. DEPARTMENT OF TRANSPORTATION FEDERAL HIGHWAY ADMINISTRATION FEDERAL LANDS HIGHWAY	
METRIC STANDARD	
<b>G4 W-BEAM GUARDRAIL LOW SPEED TERMINAL TYPE LST, WOOD POSTS</b>	
STANDARD APPROVED FOR USE 6/2005	STANDARD
REVISED: DRAFT: 2/2007	<b>M617-14</b>

F:\StandDraw\std61714.dgn [Metric] 26-Feb-2007 09:25 AM