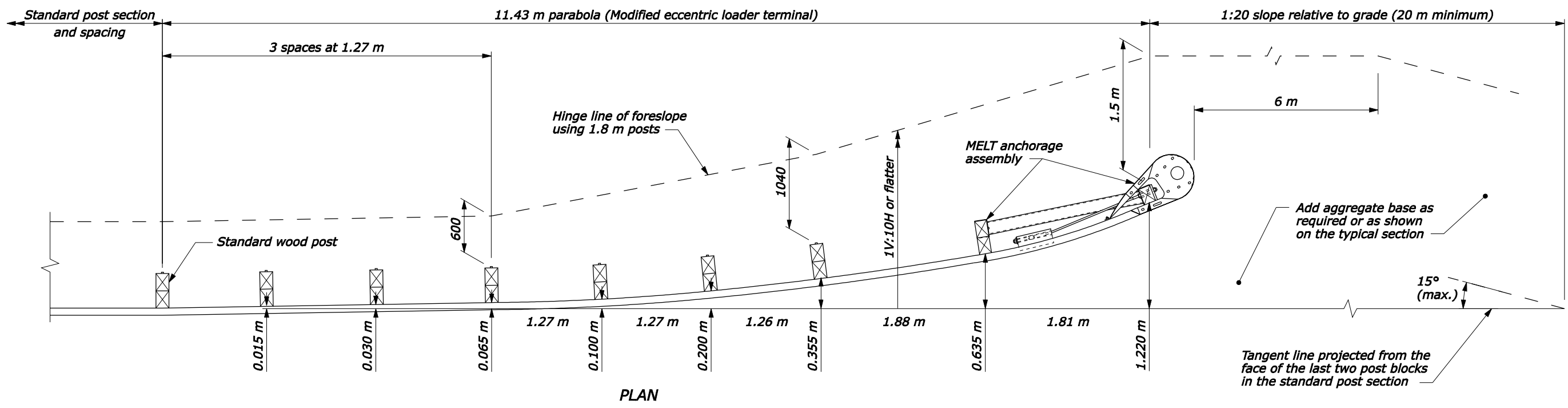
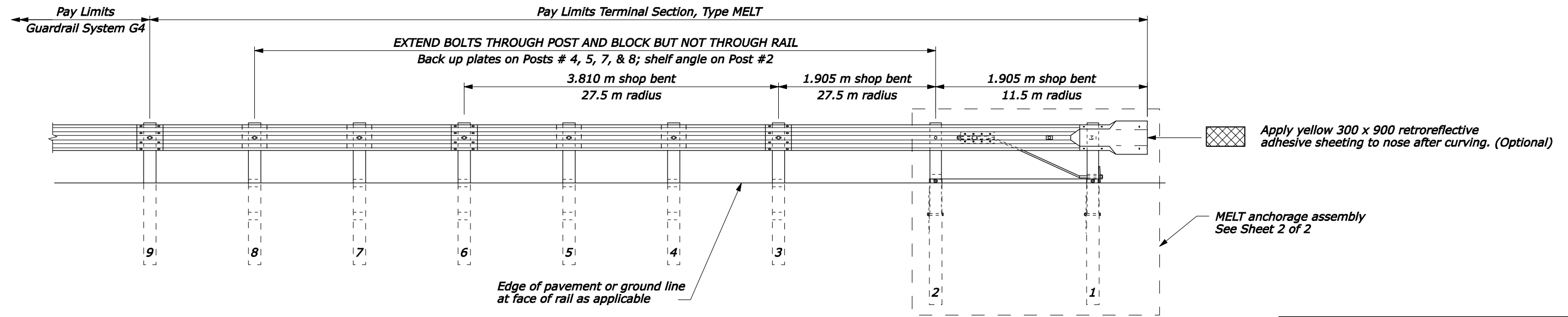


**NOTE:**

1. See Standard M617-15 for other details.
2. Do not use terminal where speeds are in excess of 70 km/h [45 MPH].
3. Dimensions without units are millimeters.



PLAN



ELEVATION

**APPROACH & DEPARTURE FLARE  
WITH MODIFIED ECCENTRIC LOADER TERMINAL**

U.S. DEPARTMENT OF TRANSPORTATION  
FEDERAL HIGHWAY ADMINISTRATION  
FEDERAL LANDS HIGHWAY

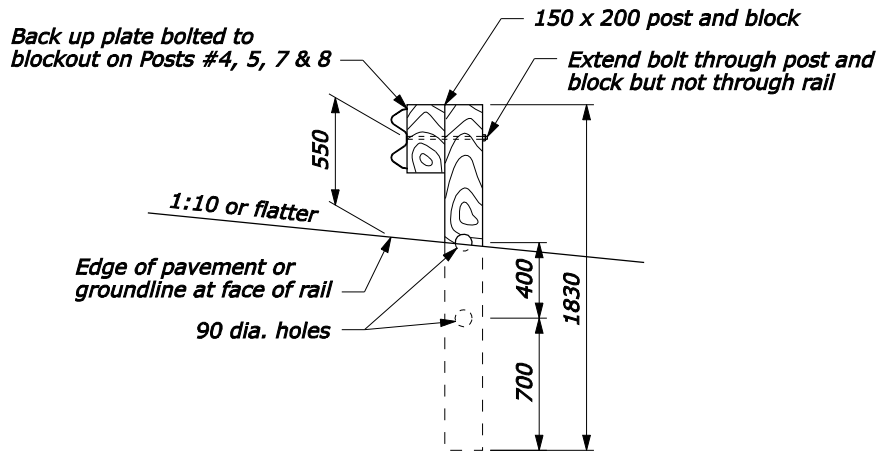
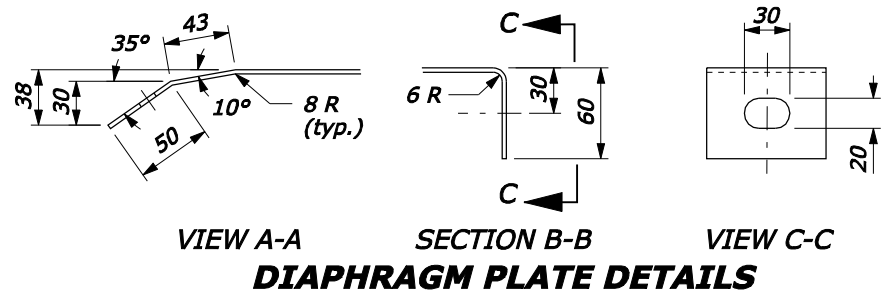
METRIC STANDARD  
**G4 W BEAM GUARDRAIL  
MODIFIED ECCENTRIC LOADER  
TERMINAL, TYPE MELT**  
Sheet 1 of 2

STANDARD APPROVED FOR USE 3/1996  
REVISED: 12/1998 6/2005  
DRAFT: 3/2007

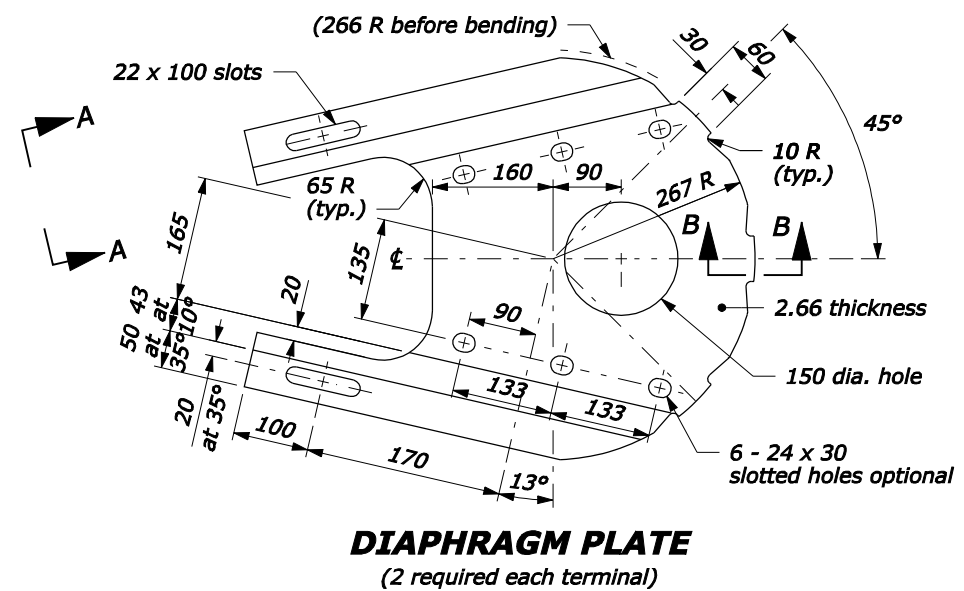
STANDARD  
**M617-12**

NO SCALE

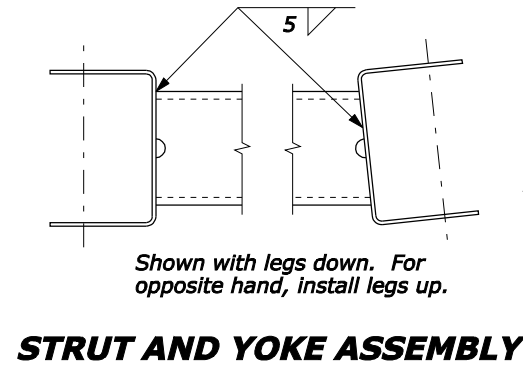
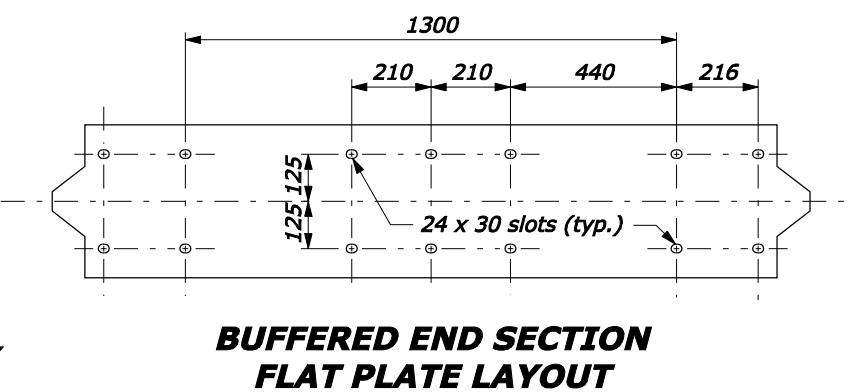
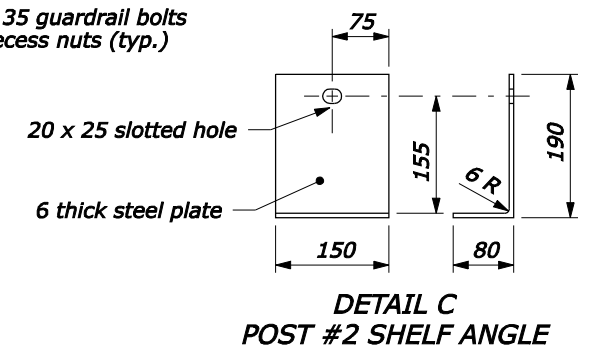
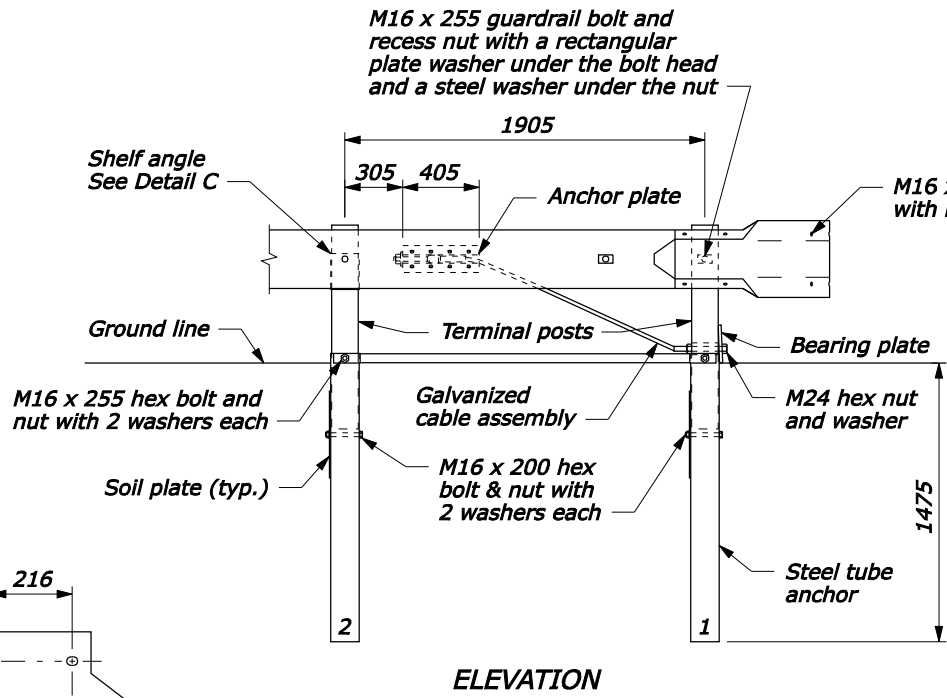
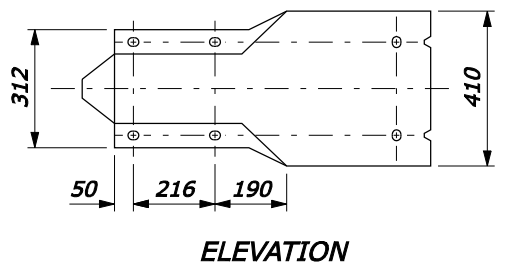
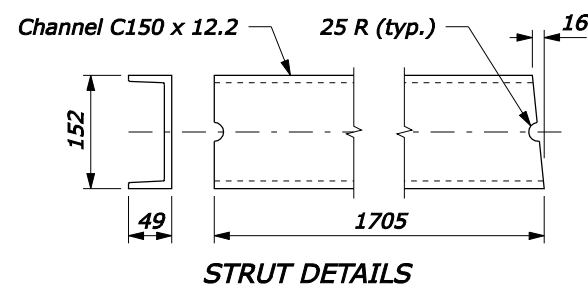
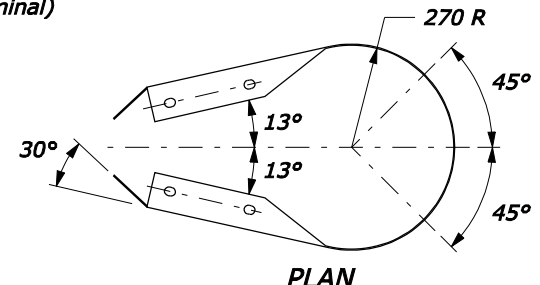
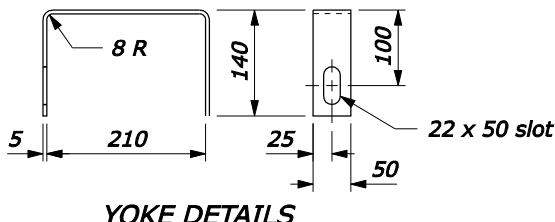
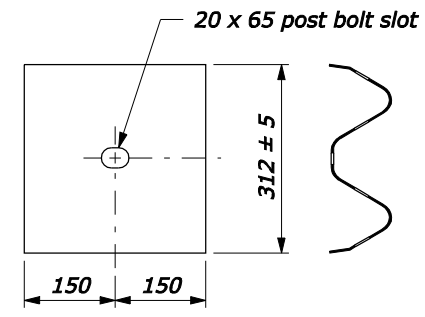
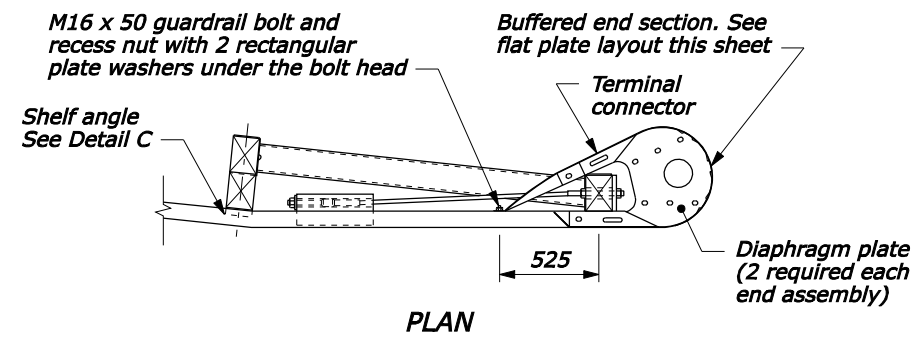
12-Mar-2007 06:50 AM F:\StandDraw\std61712.dgn [Metric]



- NOTE:**
1. See Standard M617-15 for other details.
  2. Dimensional tolerances not shown or implied are intended to be those consistent with the proper functioning of the part, including its appearance, and accepted manufacturing practices.
  3. Furnish hardware in metric sizes shown. Equivalent U.S. Customary sizes may be used when metric sizes are not available.
  4. Dimensions without units are millimeters.



**BREAKAWAY LINE POST AND BLOCK**  
 POST #3 - 8



**ANCHORAGE ASSEMBLY**

NO SCALE

U.S. DEPARTMENT OF TRANSPORTATION  
 FEDERAL HIGHWAY ADMINISTRATION  
 FEDERAL LANDS HIGHWAY

METRIC STANDARD  
**G4 W BEAM GUARDRAIL  
 MODIFIED ECCENTRIC LOADER  
 TERMINAL, TYPE MELT**  
 Sheet 2 of 2

STANDARD APPROVED FOR USE 3/1996  
 REVISIONS: 8/1997 6/2005  
 DRAFT: 3/2007

STANDARD  
**M617-12**

12-Mar-2007 06:51 AM

F:\ShanDraw\st61712.dgn [Metric]