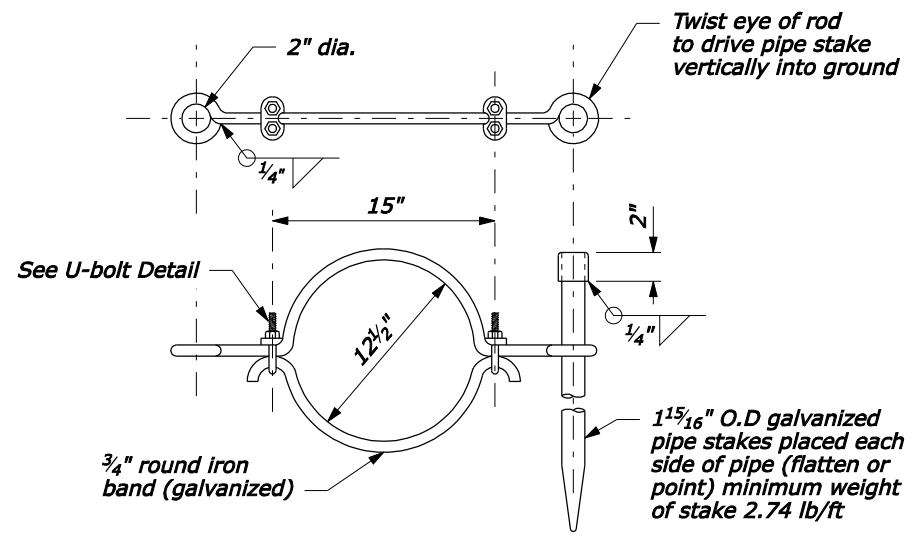
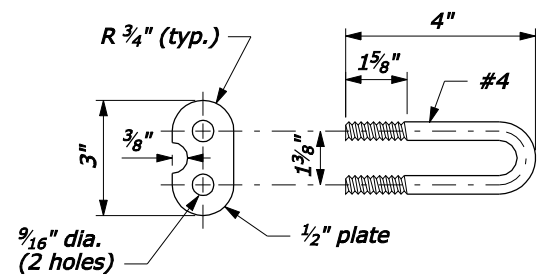


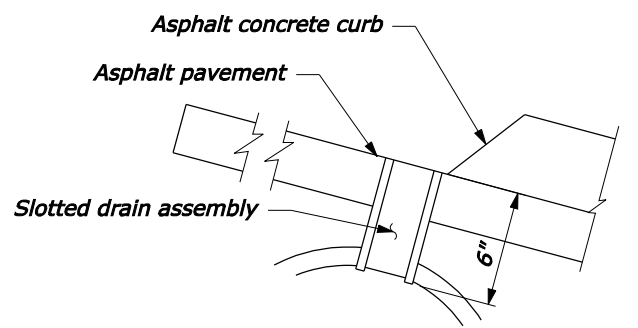
ALTERNATE 1



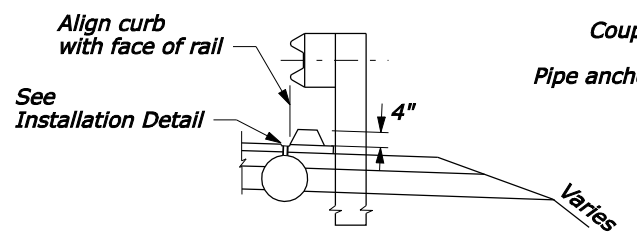
ALTERNATE 2



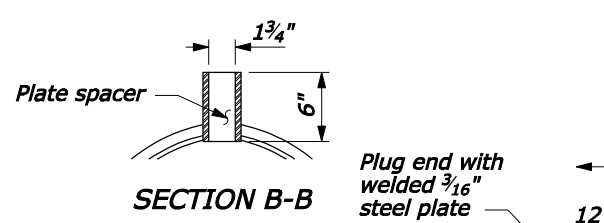
U-BOLT DETAIL



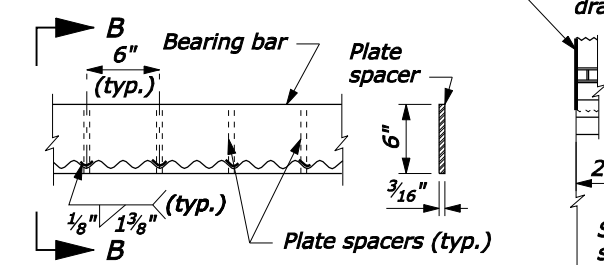
INSTALLATION DETAIL



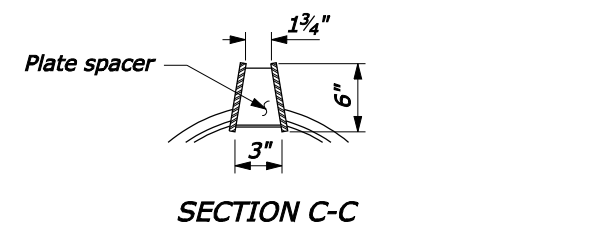
TYPICAL PLACEMENT AT GUARDRAIL



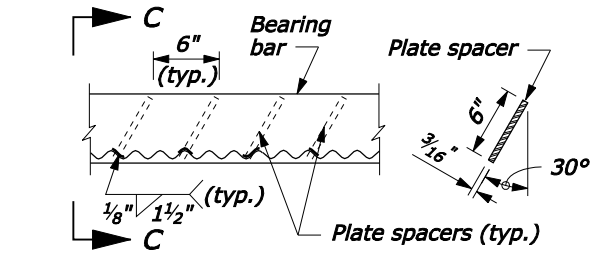
SECTION B-B



GRATE SLOT

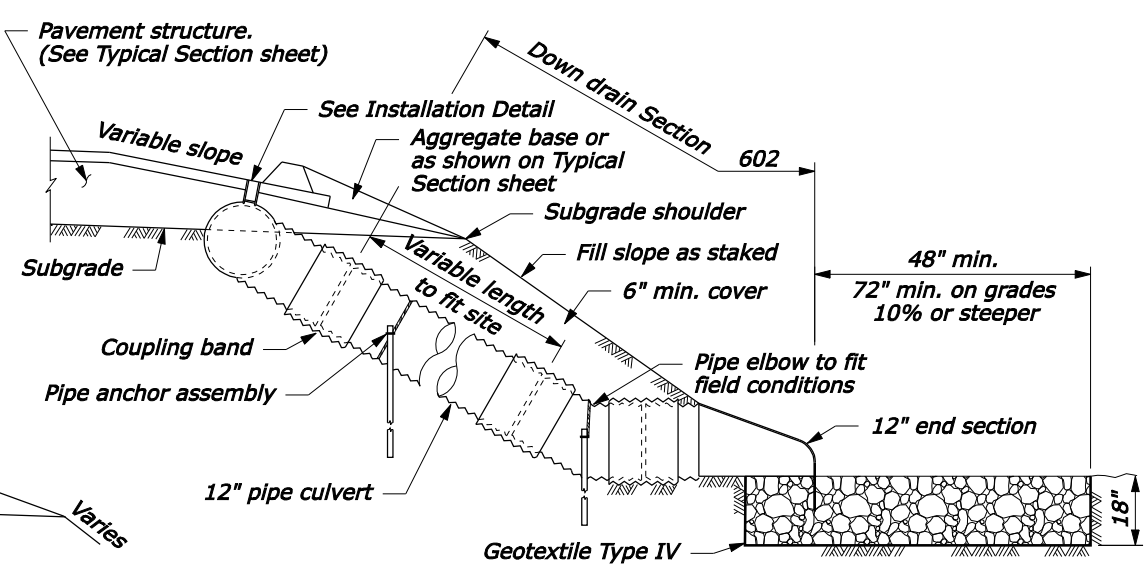


SECTION C-C



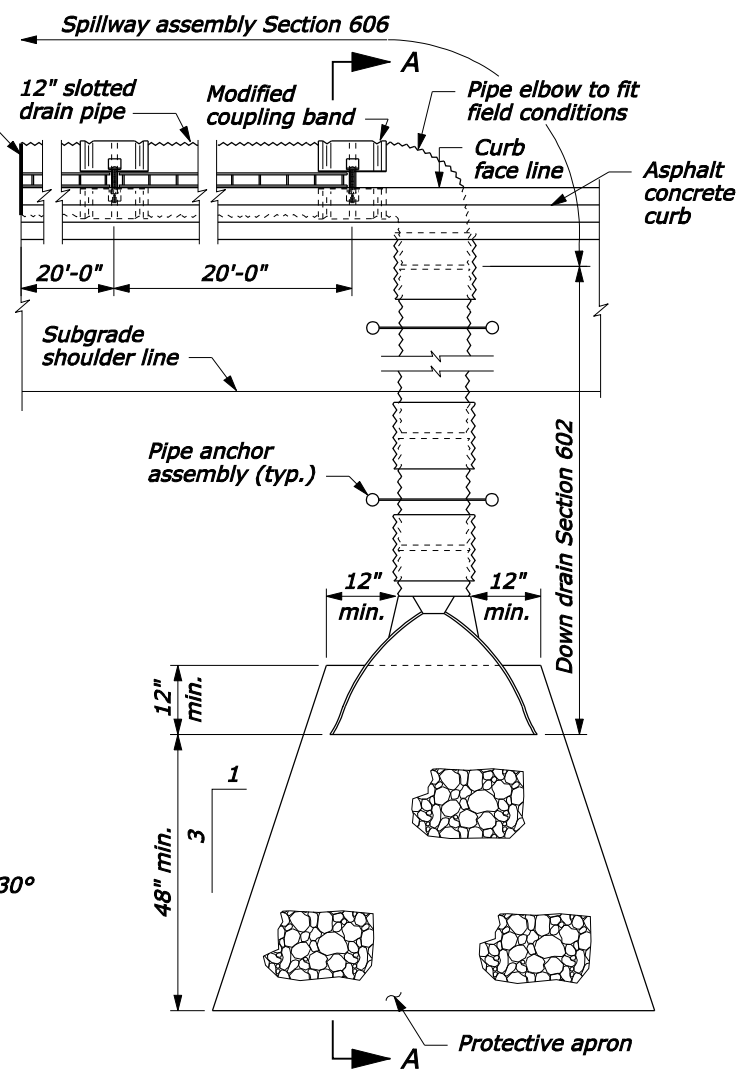
ANGLE SLOT

SLOTTED DRAIN ASSEMBLY



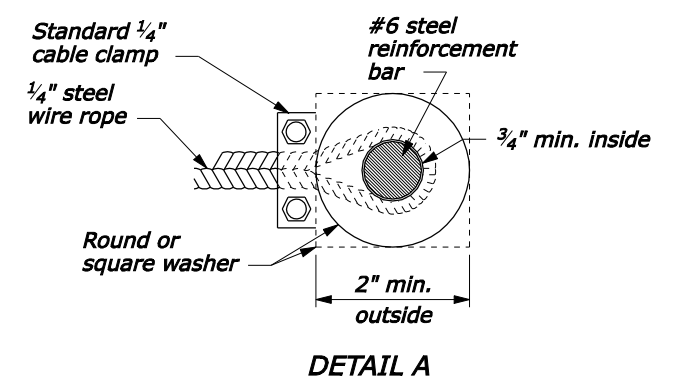
SECTION A-A

NO SCALE



NOTE:

1. Fabricate slotted drain pipe, down drain pipe culvert, elbows, end section, and coupling bands from sheets 1/16" thickness.
2. Grate slot assembly and plate end plug conform to AASHTO M 183.
3. Galvanize grate slot assembly, plate end plug, and all hardware according to AASHTO M 111.
4. Approved alternate pipe anchor assemblies may be used.
5. Place Class 2 riprap conforming to Section 251 for protective apron.
6. Place pipe anchor assemblies approximately 20 foot intervals along down drain pipe culvert. Place a minimum of 2 anchors per down drain.
7. For installations at sag vertical curves, use a tee connection instead of an elbow and a minimum of two 20 meter slotted drain pipe sections.
8. Make all band connections watertight by placing gaskets or O-rings under the bands before tightening in accordance with Subsection 712.03.
9. Use either the grate slot or the angle slot slotted drain assembly.



DETAIL A

U.S. DEPARTMENT OF TRANSPORTATION
 FEDERAL HIGHWAY ADMINISTRATION
 FEDERAL LANDS HIGHWAY

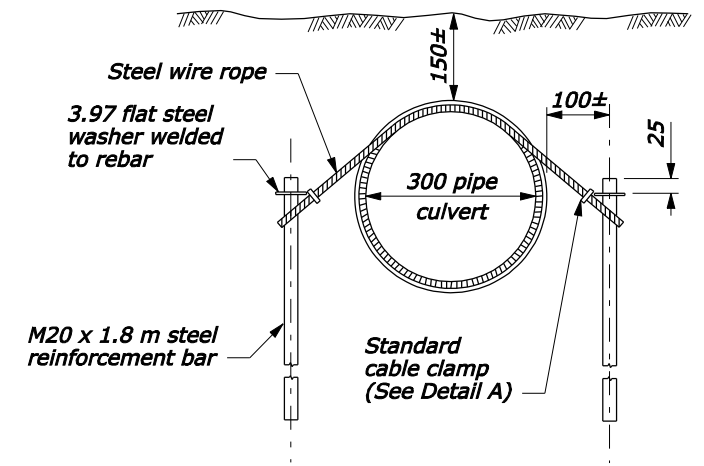
U.S. CUSTOMARY STANDARD

**SLOTTED DRAIN
 SPILLWAY ASSEMBLY**

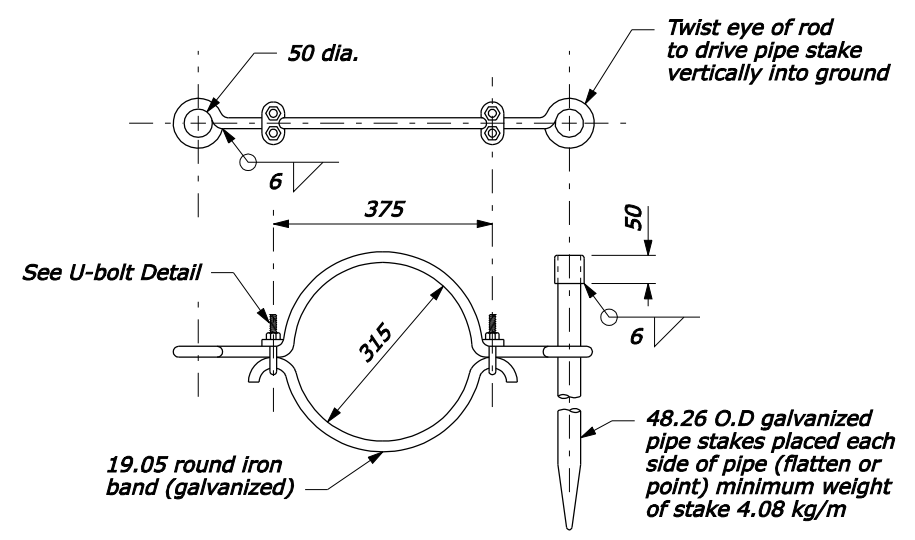
STANDARD APPROVED FOR USE 6/2005
 REVISED:

STANDARD
 606-1

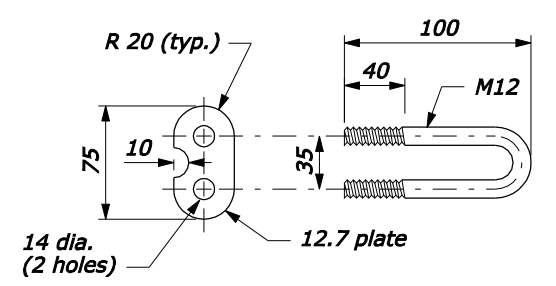
01-Nov-2007 04:11 PM
 Pp://198.145.186.2/std.pln/str60601.dgn [US Customary]



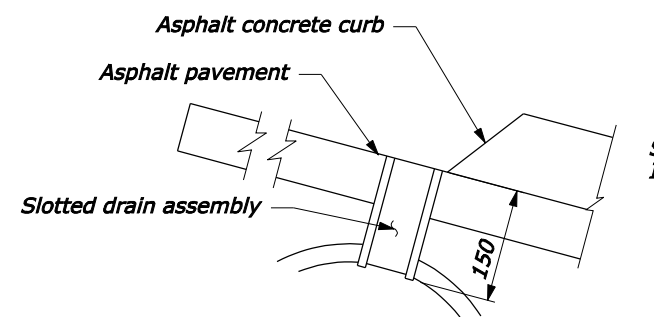
ALTERNATE 1



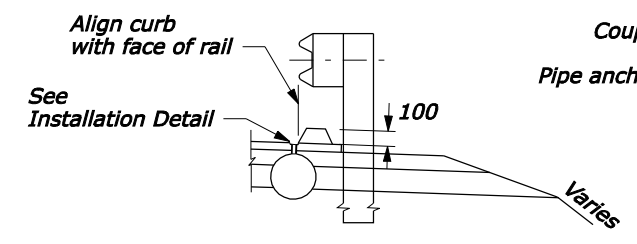
ALTERNATE 2



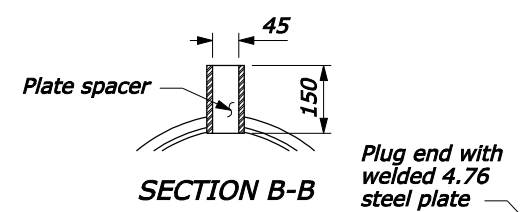
U-BOLT DETAIL



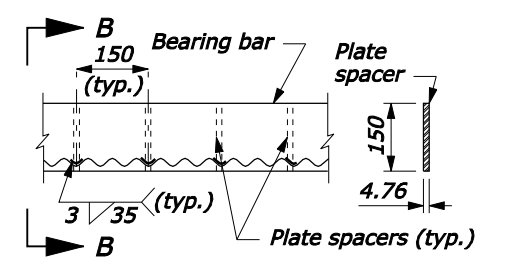
INSTALLATION DETAIL



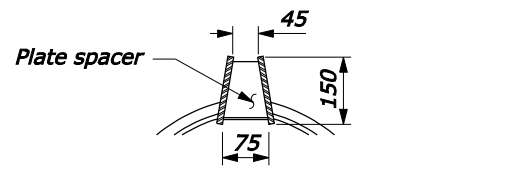
TYPICAL PLACEMENT AT GUARDRAIL



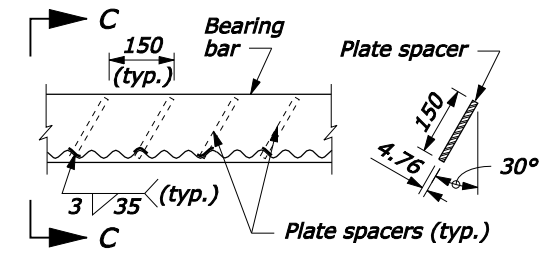
SECTION B-B



GRATE SLOT

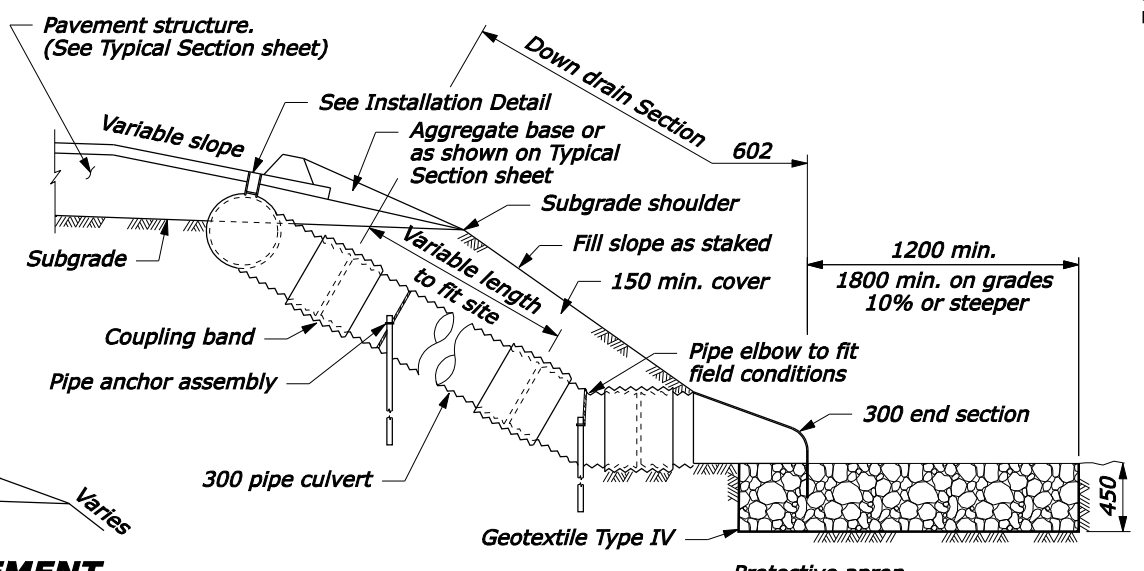


SECTION C-C



ANGLE SLOT

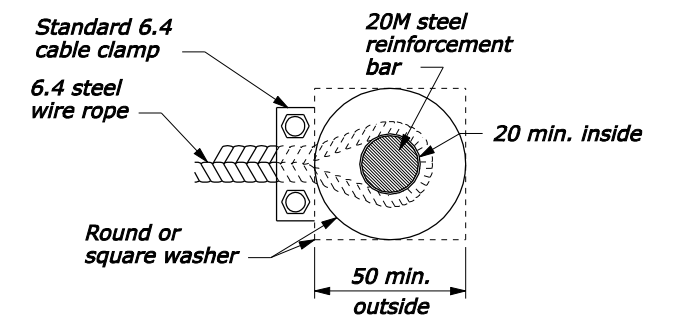
SLOTTED DRAIN ASSEMBLY



SECTION A-A

NOTE:

1. Fabricate slotted drain pipe, down drain pipe culvert, elbows, end section, and coupling bands from sheets 1.62 mm thickness.
2. Grate slot assembly and plate end plug conform to AASHTO M 183.
3. Galvanize grate slot assembly, plate end plug, and all hardware according to AASHTO M 111.
4. Approved alternate pipe anchor assemblies may be used.
5. Place Class 2 riprap conforming to Section 251 for protective apron.
6. Place pipe anchor assemblies approximately 6 meter intervals along down drain pipe culvert. Place a minimum of 2 anchors per down drain.
7. For installations at sag vertical curves, use a tee connection instead of an elbow and a minimum of two 6 meter slotted drain pipe sections.
8. Make all band connections watertight by placing gaskets or O-rings under the bands before tightening in accordance with Subsection 712.03.
9. Use either the grate slot or the angle slot slotted drain assembly.
10. Provide hardware in the metric sizes shown. Equivalent US Customary sizes may be used when metric sizes are not available.
11. Dimensions without units are millimeters.



DETAIL A

U.S. DEPARTMENT OF TRANSPORTATION
 FEDERAL HIGHWAY ADMINISTRATION
 FEDERAL LANDS HIGHWAY
 METRIC STANDARD

**SLOTTED DRAIN
 SPILLWAY ASSEMBLY**

STANDARD APPROVED FOR USE 3/1996
 REVISED: 6/2005

STANDARD
M606-1

NO SCALE

fpp://196.145.188.2/scd_plan/s60601.dgn [Metric] 01-Nov-2007 04:05 PM