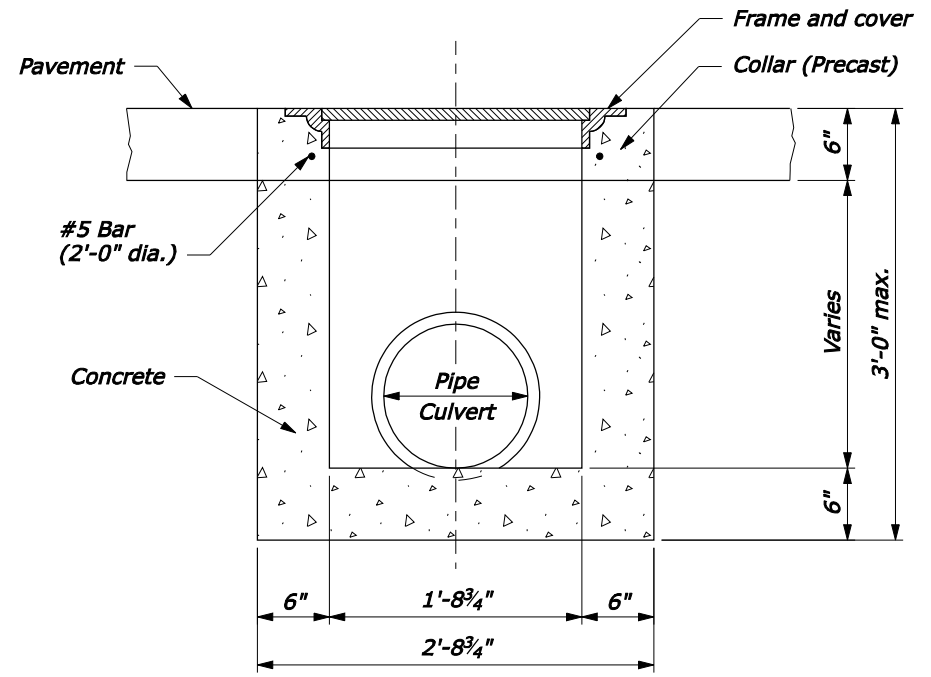
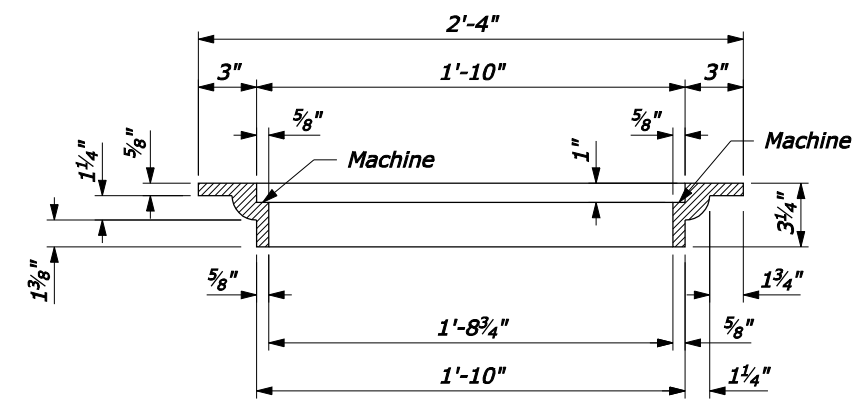


**NOTE:**

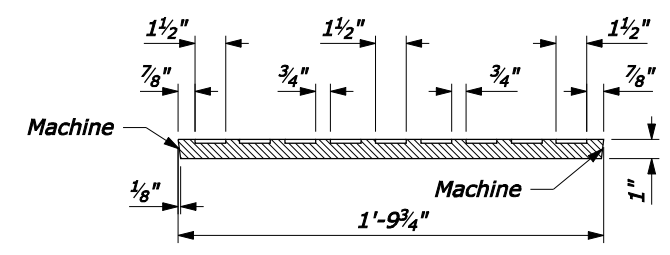
1. Frame and cover dimensions may vary slightly to allow manufacturer's standards.
2. MASS: (Approximate, cast iron)  
 Frame - 86 ± 4 lb  
 Cover - 83 ± 4 lb
3. All reinforcing bars are #5 placed a minimum 1½ inch clear from face of concrete. In floors, place bars on 6 inch centers each way. In walls, place horizontal bars on 6 inch centers and vertical bars on 12 inch centers.



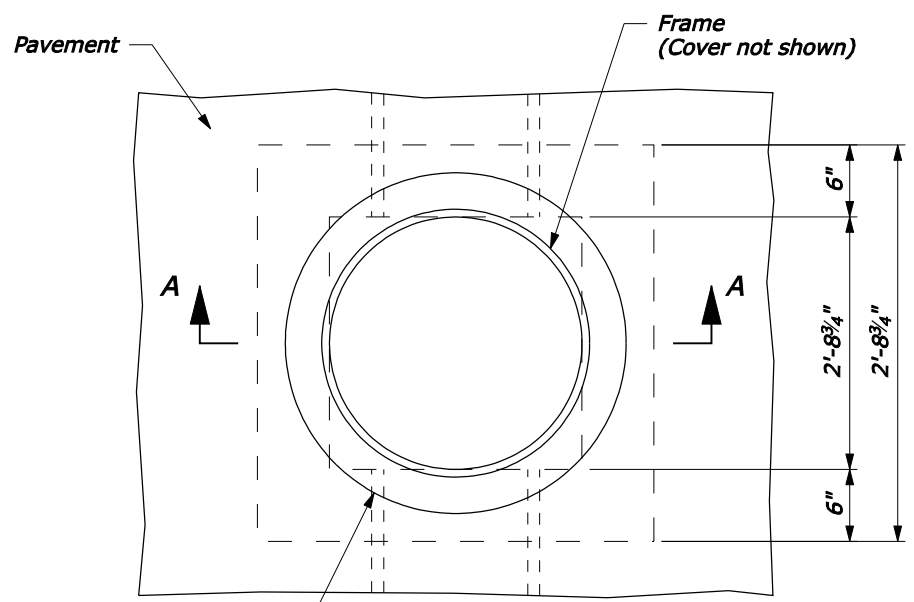
**SECTION A-A**



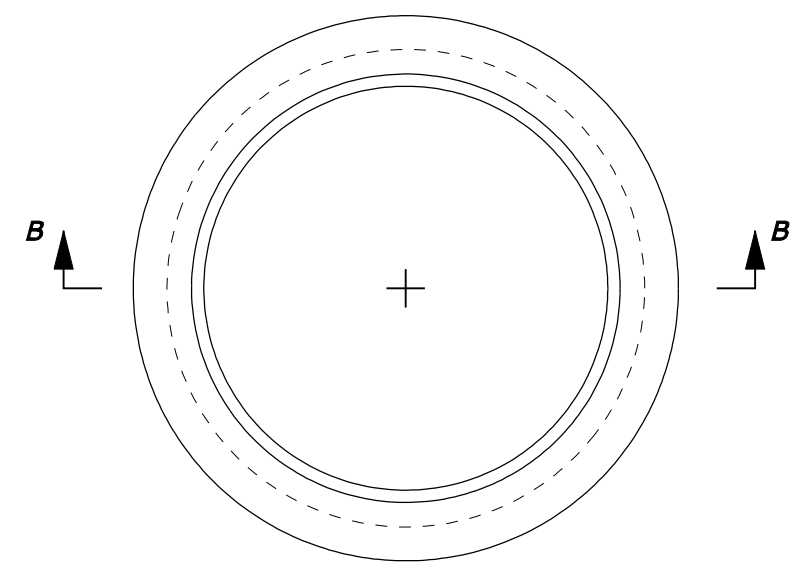
**SECTION B-B**



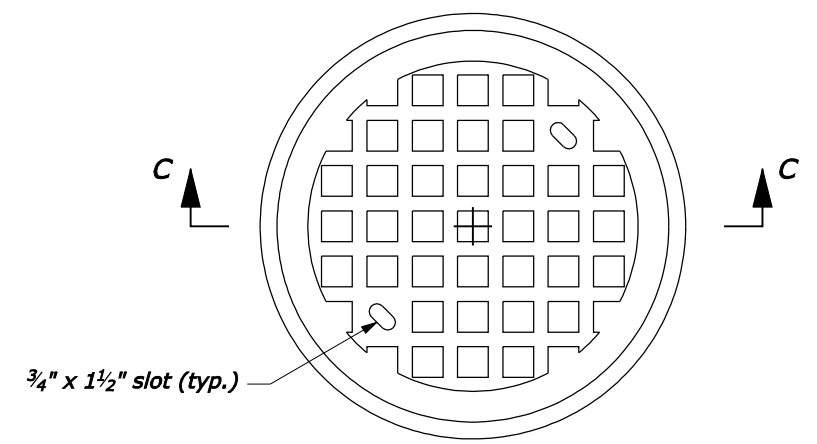
**SECTION C-C**



**PLAN**



**FRAME**



**COVER**

NO SCALE

U.S. DEPARTMENT OF TRANSPORTATION FEDERAL HIGHWAY ADMINISTRATION FEDERAL LANDS HIGHWAY	
U.S. CUSTOMARY STANDARD	
<b>MANHOLE</b>	
STANDARD APPROVED FOR USE 6/2005	STANDARD
REVISED:	604-9