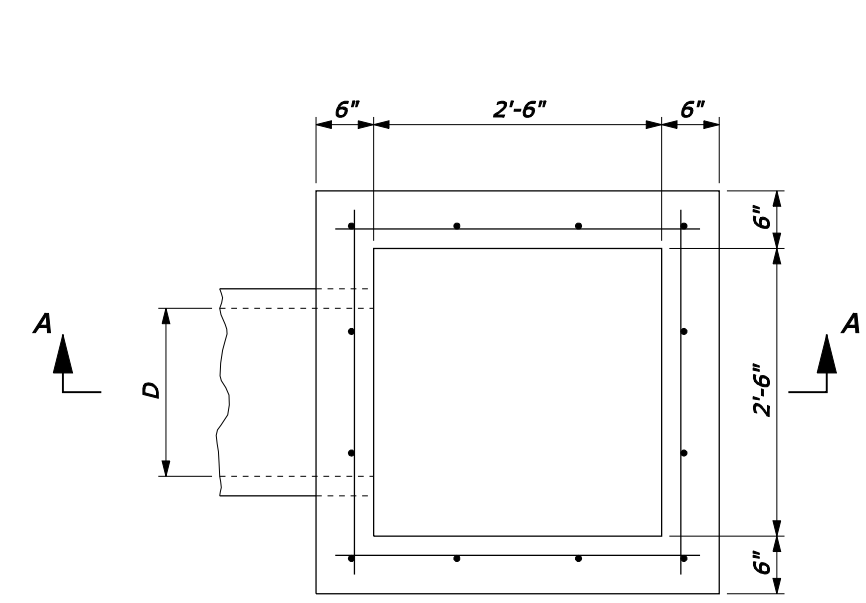
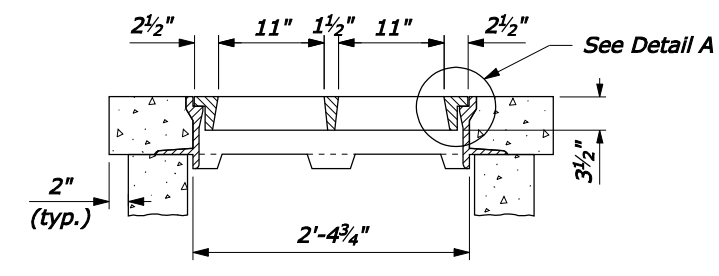
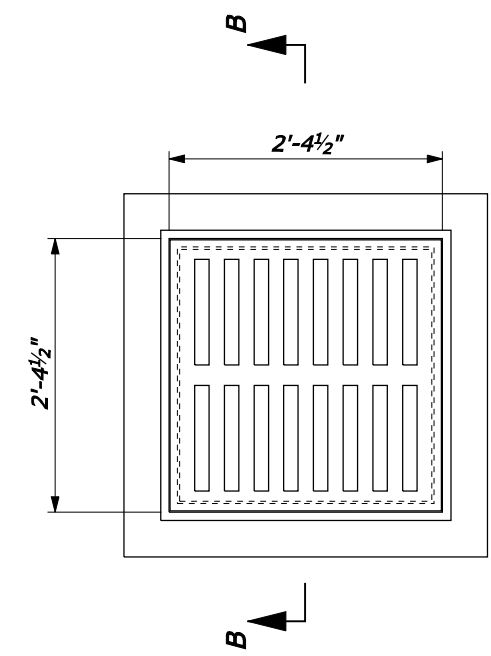


**NOTE:**

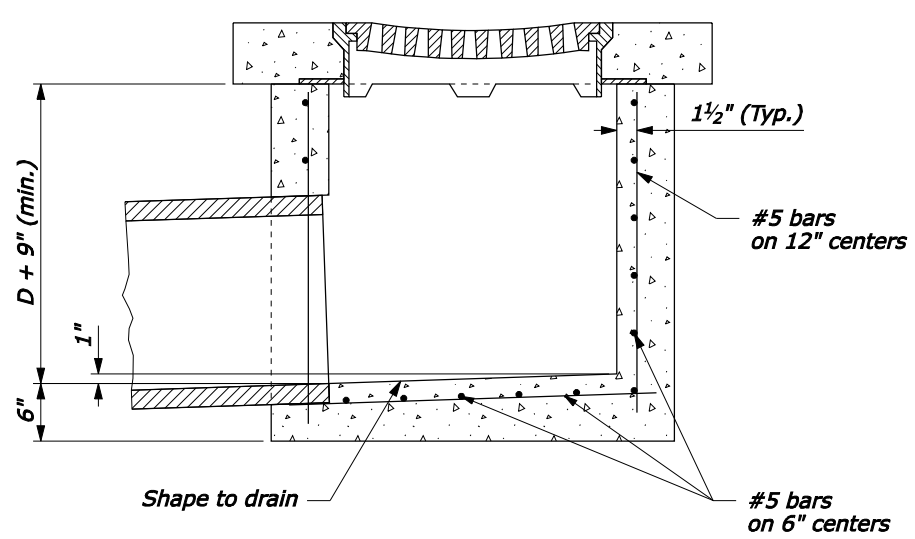
1. Construct inlets parallel to the roadway centerline and grade. For pipes on skew, adapt inlets as directed by the CO.
2. For frames and gratings minor variations in design and dimensions are permitted to allow manufacturers standards.



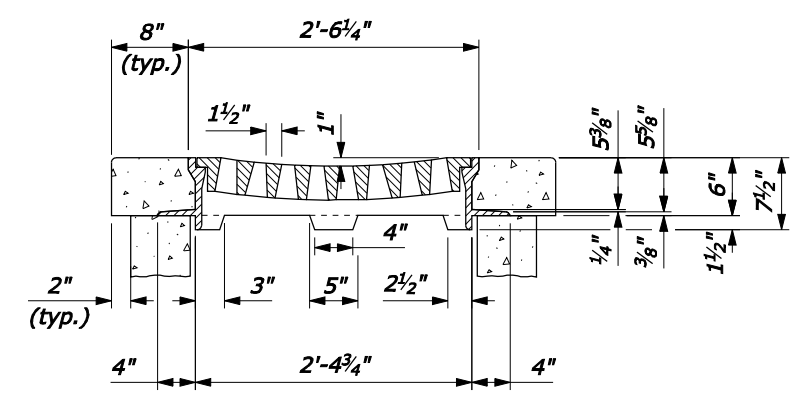
PLAN



SECTION B-B

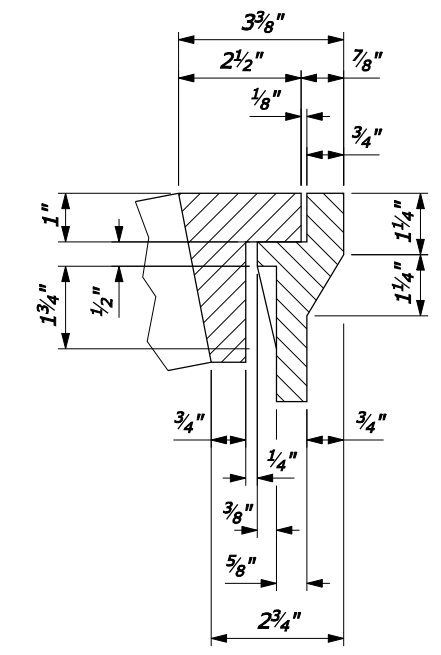


SECTION A-A  
**TYPE 6B INLET**



Gray Iron Castings, AASHTO M 105

**METAL FRAMES AND GRATINGS  
TYPE 6B**



DETAIL A

NO SCALE

U.S. DEPARTMENT OF TRANSPORTATION FEDERAL HIGHWAY ADMINISTRATION FEDERAL LANDS HIGHWAY	
U.S. CUSTOMARY STANDARD	
<b>INLET TYPE 6B</b>	
STANDARD APPROVED FOR USE 6/2005	STANDARD
REVISED:	604-7