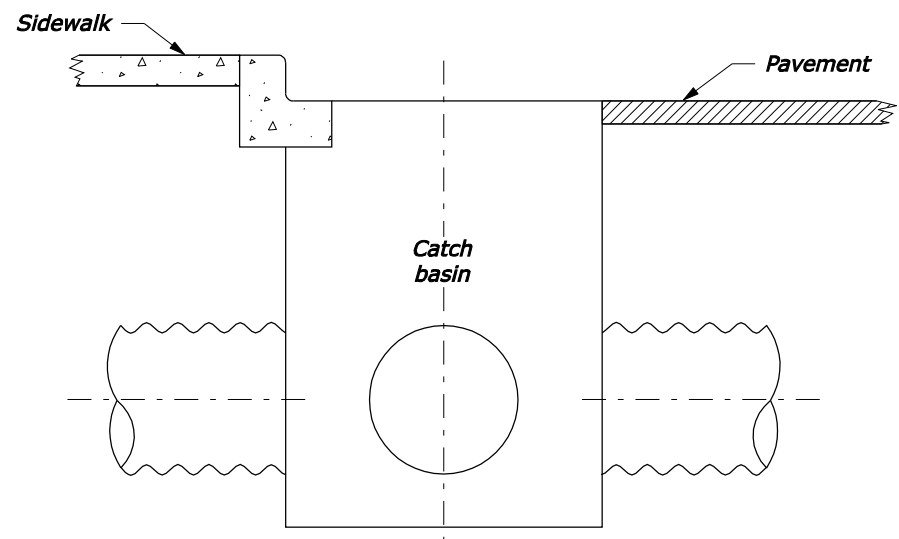
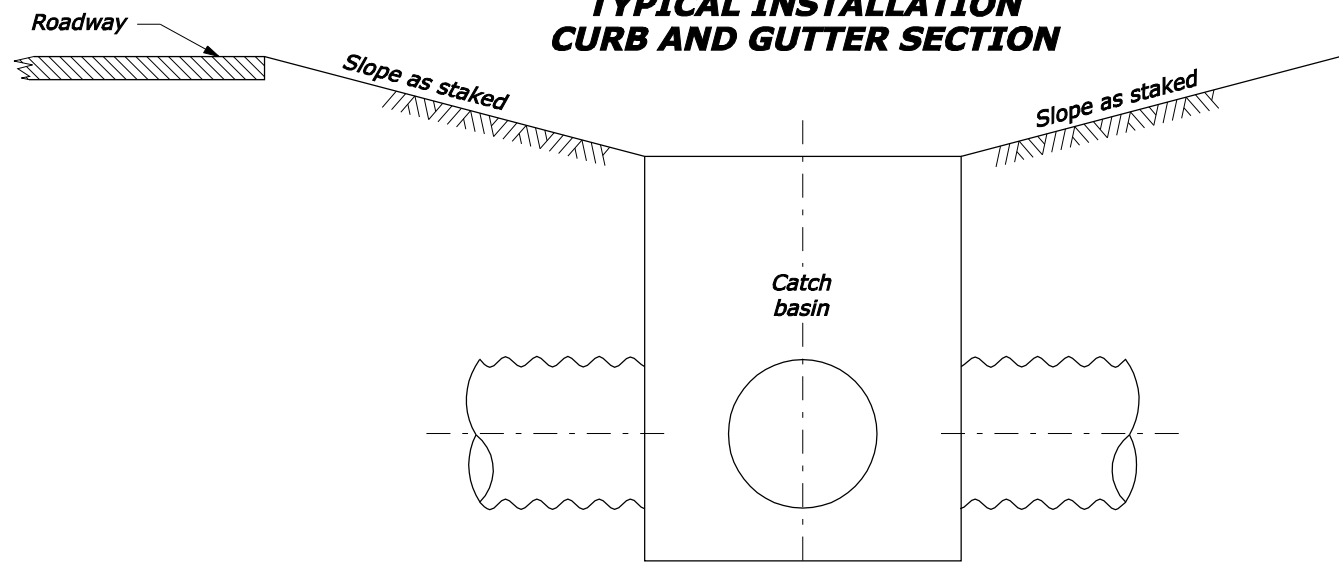


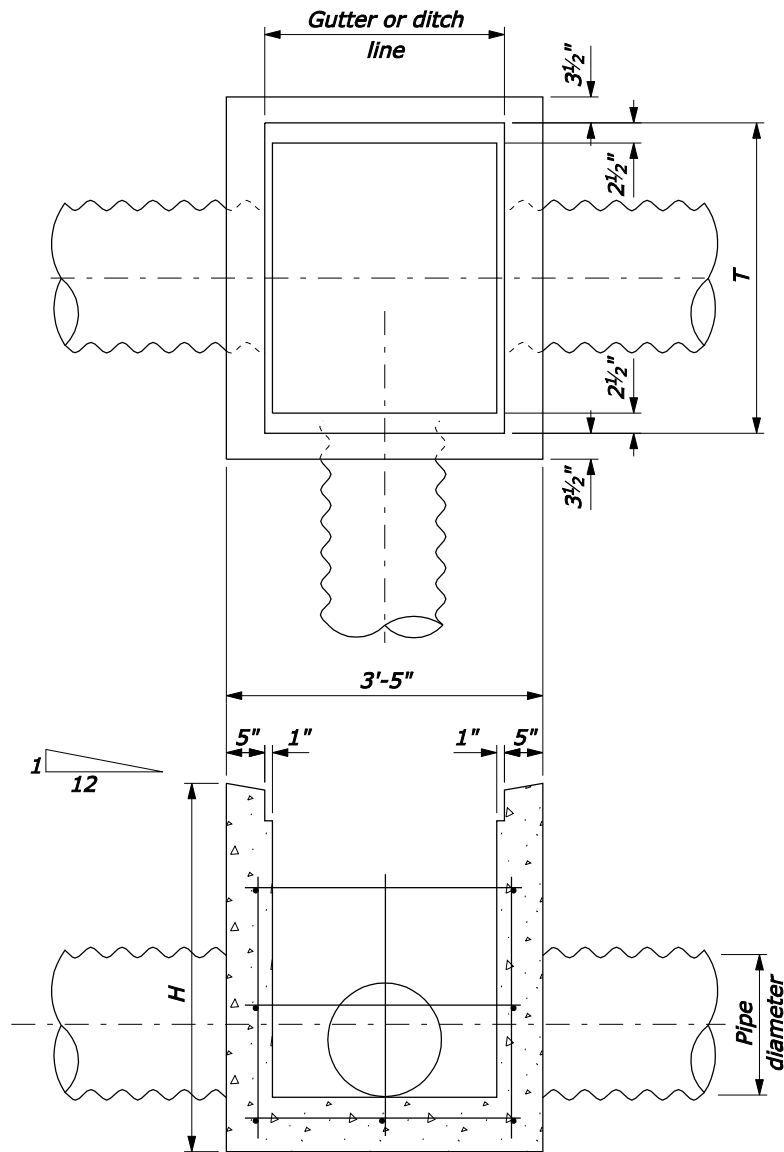
**TYPICAL INSTALLATION CURB SECTION**



**TYPICAL INSTALLATION CURB AND GUTTER SECTION**



**TYPICAL INSTALLATION DITCH SECTION**



All reinforcing steel #4 at 12"±.  
Bend to clear pipe

**INLET DETAIL**

- NOTE:**
1. CONCRETE: Chamfer exposed edges 3/4" unless otherwise shown. Give all concrete surfaces a Class 1 finish.
  2. The minimum concrete cover to the face of any bar is 2" unless otherwise shown.
  3. See Standard 604-2 for Type A Frame and Grate and Standard 604-3 for Type B Frame and Grate.

CONCRETE CATCH BASINS			
PIPE SIZE DIAMETER	DEPTH H	FRAME AND GRATE T	
		TYPE A	TYPE B
12"	3'-0"	2'-6"	2'-6"
18"	3'-0"	2'-6"	2'-6"
24"	4'-0"	3'-3"	3'-4"
30"	4'-0"	4'-0"	4'-2"
36"	4'-6"	4'-9"	5'-0"
42"	5'-0"	5'-6"	5'-5"
48"	5'-6"	6'-3"	6'-3"

CONCRETE CATCH BASINS				
PIPE SIZE DIAMETER INCHES	ESTIMATED QUANTITIES			
	CONCRETE CUYD	REINFORCING STEEL LB	FRAME AND GRATE LB	
			TYPE A	TYPE B
12	0.7	54	215	238
18	0.7	54	215	238
24	1.1	81	271	314
30	1.2	92	327	390
36	1.5	101	383	466
42	1.8	131	439	504
48	2.2	151	495	580

NO SCALE

U.S. DEPARTMENT OF TRANSPORTATION  
FEDERAL HIGHWAY ADMINISTRATION  
FEDERAL LANDS HIGHWAY

U.S. CUSTOMARY STANDARD

**CATCH BASIN  
TYPE 1**

STANDARD APPROVED FOR USE 6/2005  
REVISED:

STANDARD  
604-1