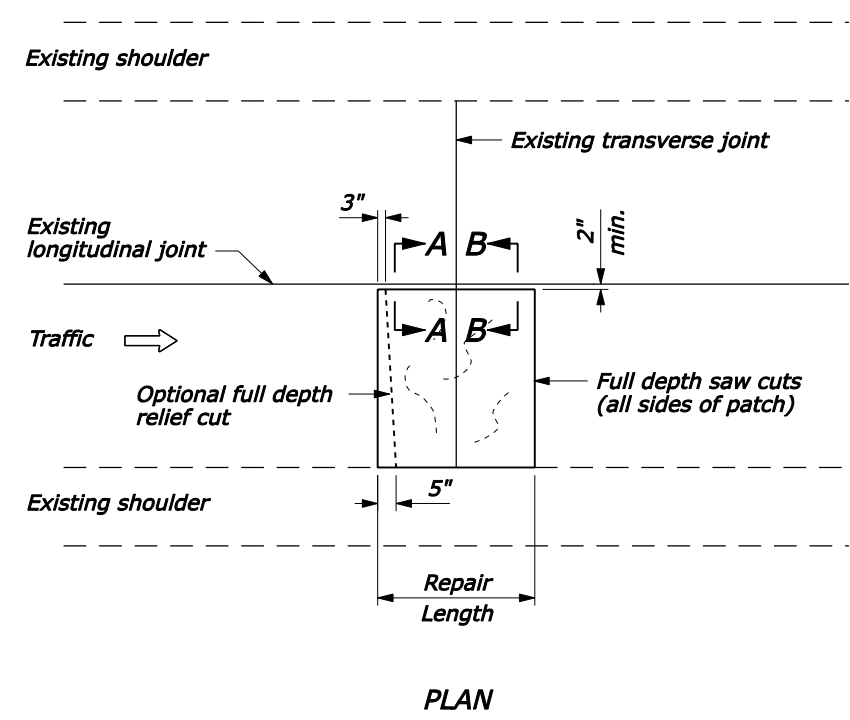
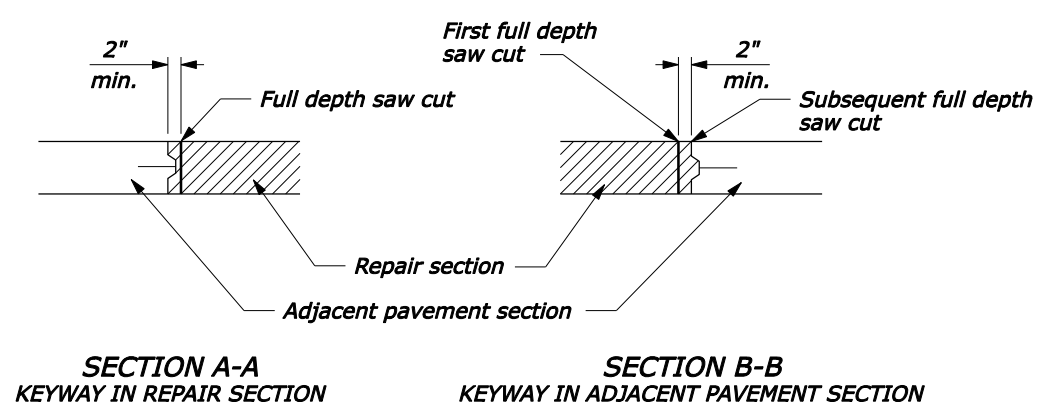


**NOTE:**

1. Shoulder joints may be cut directly into the existing joint.
2. Make cuts running parallel and adjacent to a lane of traffic a minimum of 2 inches from the existing joint.
3. Saw cuts may be made into the shoulder.
4. If it is determined that the keyway is formed in the adjacent pavement section, the subsequent full depth saw cut may be made on the longitudinal joint.



**FOR COMMENT**



**REINFORCED PORTLAND CEMENT CONCRETE PAVEMENT  
SAW CUTS FOR LIFT OUT METHOD**

NO SCALE

U.S. DEPARTMENT OF TRANSPORTATION FEDERAL HIGHWAY ADMINISTRATION FEDERAL LANDS HIGHWAY	
U.S. CUSTOMARY STANDARD	
<b>CONCRETE PAVEMENT REMOVAL METHODS</b>	
STANDARD APPROVED FOR USE --/----	STANDARD
REVISED: DRAFT: 9/2004	501-4

F:\StandDraw\Draw\181510104.dgn [US Customary] 30-Nov-2004 08:50 AM