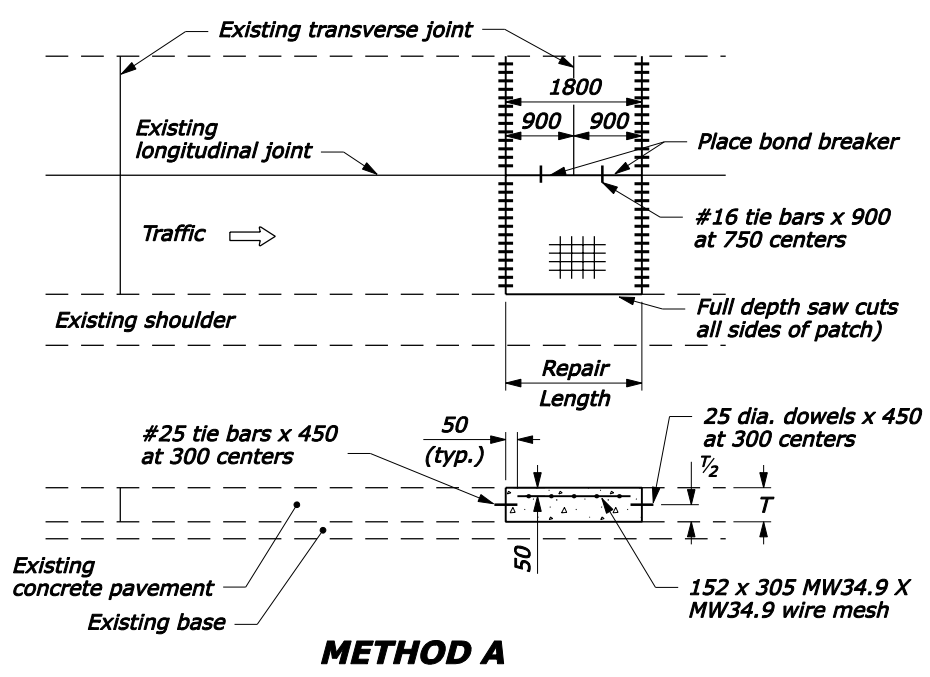


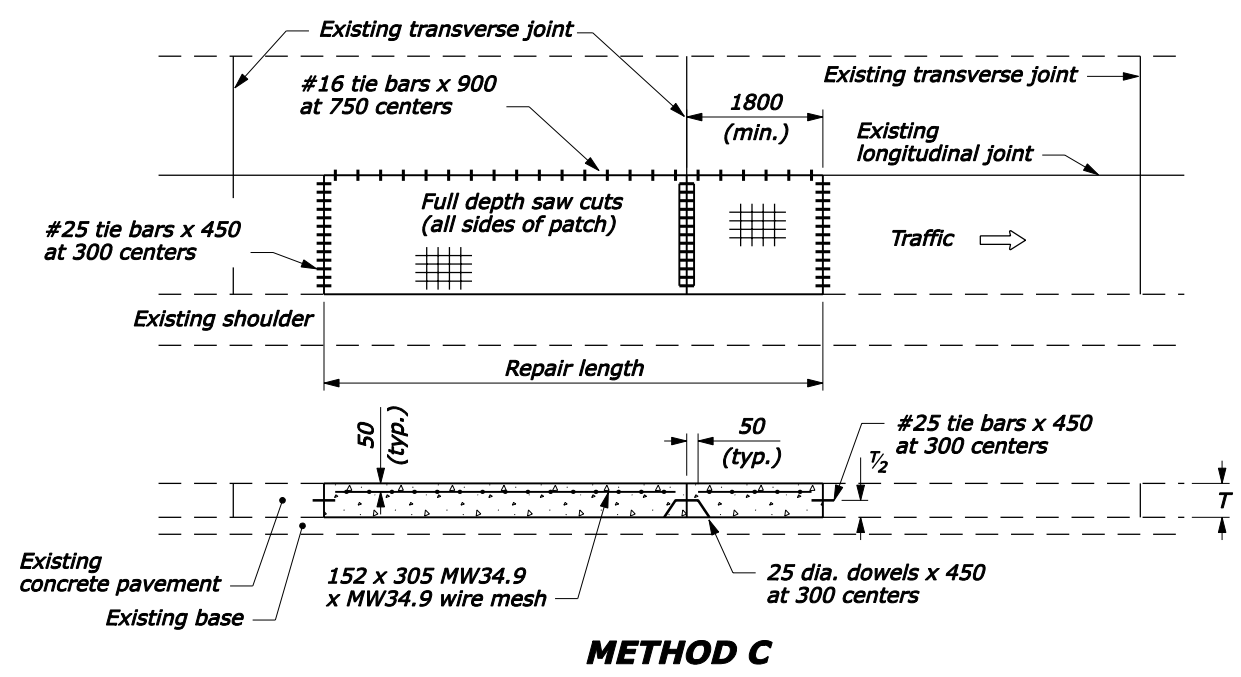
FOR COMMENT

NOTE:

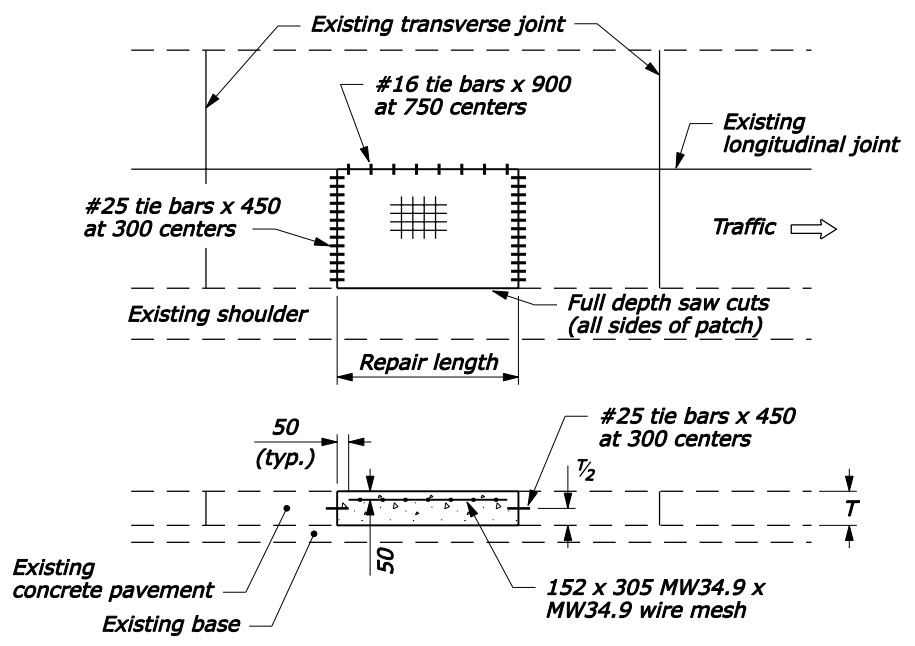
1. Drill holes for the dowels and tie bars simultaneously to the required depth using frame mounted drills which will maintain the drills parallel to profile and longitudinal joint.
2. See Standard M501-4 for pavement repair saw cuts for lift-out method.
3. Orient wire mesh so that the 300 mm dimension parallels the existing longitudinal joint.
4. An approved two-piece longitudinal tie device may be used in lieu of the #16 tie bars.
5. See Standard M501-1 for reinforcement for full depth concrete pavement repair.
6. Dimensions without units are millimeters.



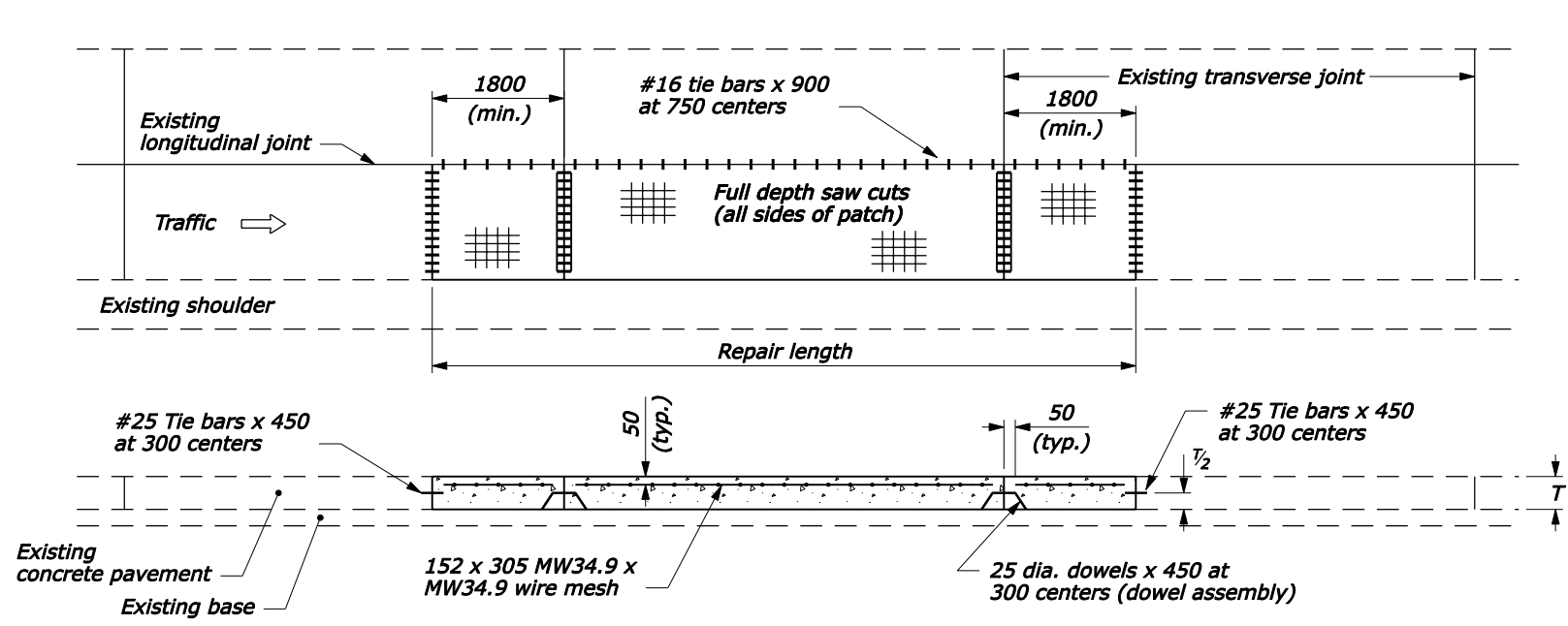
METHOD A



METHOD C



METHOD B



METHOD D

NO SCALE

U.S. DEPARTMENT OF TRANSPORTATION FEDERAL HIGHWAY ADMINISTRATION FEDERAL LANDS HIGHWAY	
METRIC STANDARD	
CONCRETE PAVEMENT PATCHING	
STANDARD APPROVED FOR USE 3/1996	STANDARD M501-3
REVISED: 5/1997 DRAFT: 9/2004	

30-Nov-2004 08:35 AM F:\StanDraw\Draw\8150103.dgn [Metric]