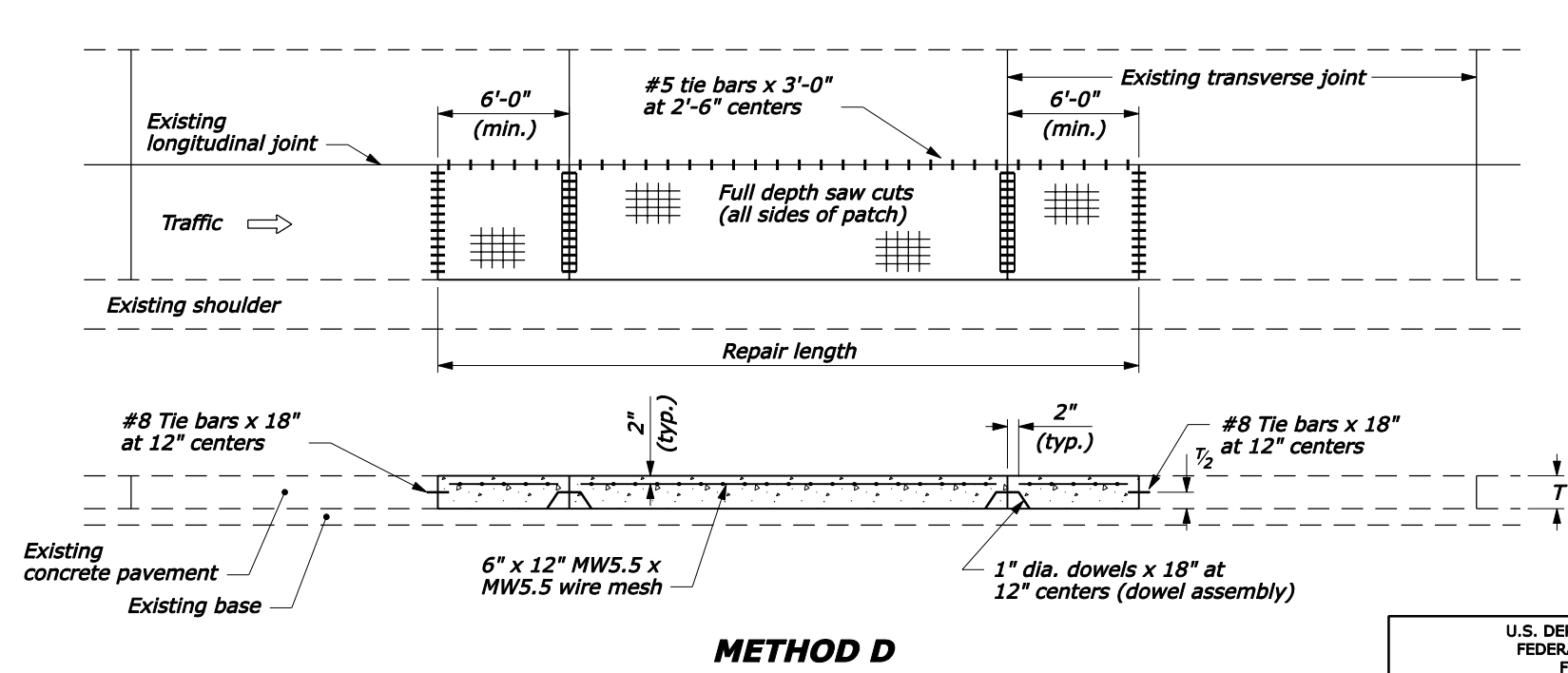
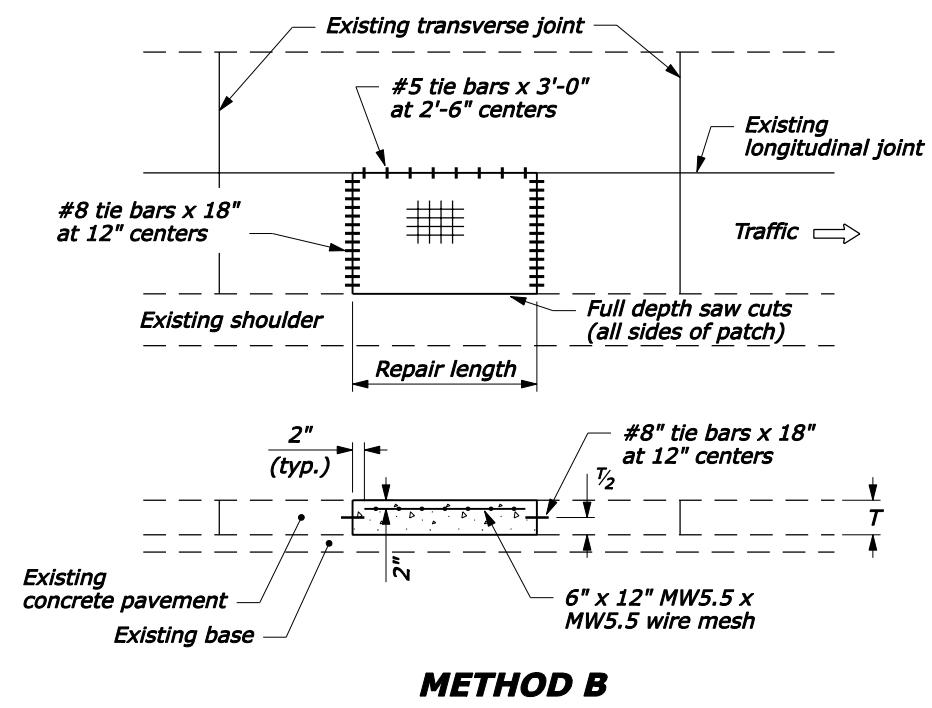
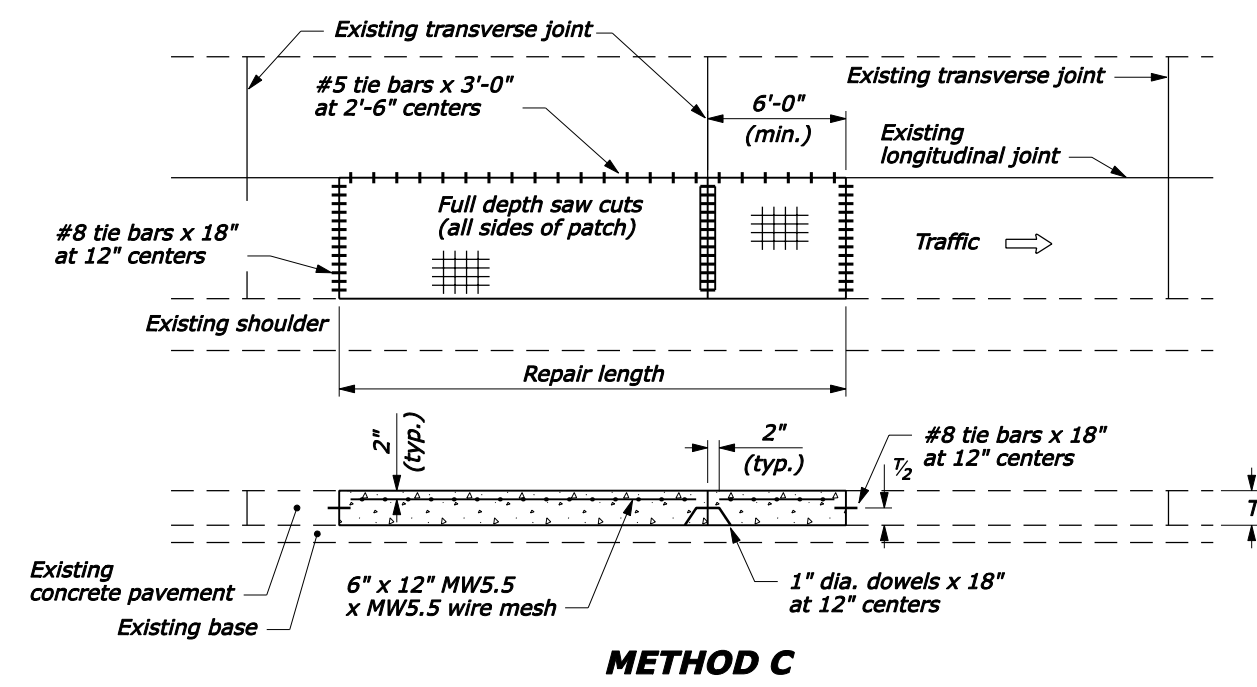
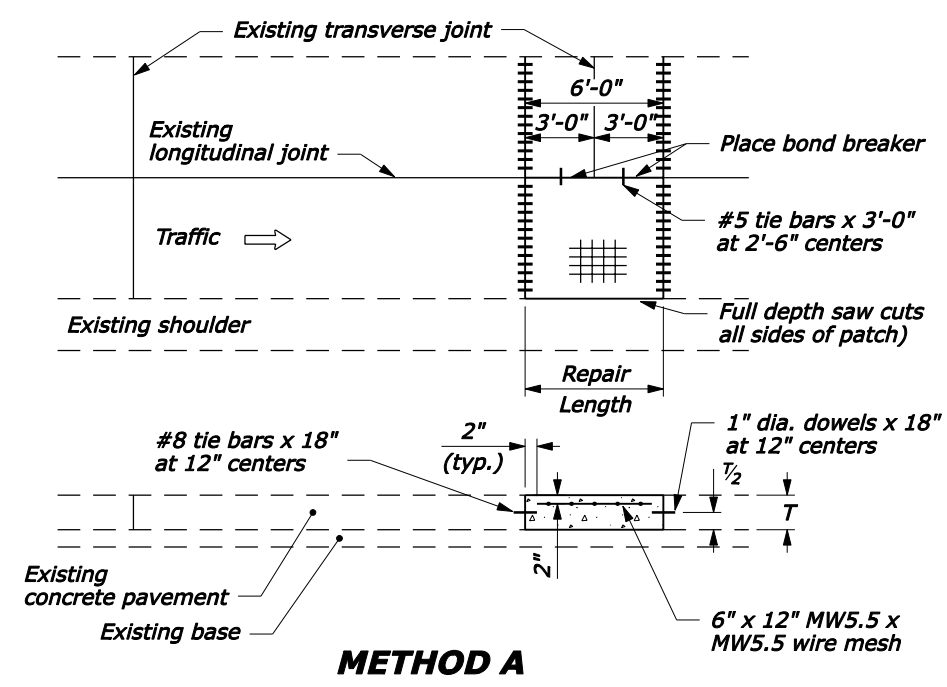


FOR COMMENT

- NOTE:**
1. Drill holes for the dowels and tie bars simultaneously to the required depth using frame mounted drills which will maintain the drills parallel to profile and longitudinal joint.
 2. See Standard 501-4 for pavement repair saw cuts for lift-out method.
 3. Orient wire mesh so that the 12-inch dimension parallels the existing longitudinal joint.
 4. An approved two-piece longitudinal tie device may be used in lieu of the #5 tie bars.
 5. See Standard 501-1 for reinforcement for full depth concrete pavement repair.



NO SCALE

U.S. DEPARTMENT OF TRANSPORTATION FEDERAL HIGHWAY ADMINISTRATION FEDERAL LANDS HIGHWAY	
U.S. CUSTOMARY STANDARD	
CONCRETE PAVEMENT PATCHING	
STANDARD APPROVED FOR USE --/----	STANDARD
REVISED: DRAFT: 9/2004	501-3

F:\StandDraw\Draft\81515103.dgn [US Customary] 30-Nov-2004 08:46 AM