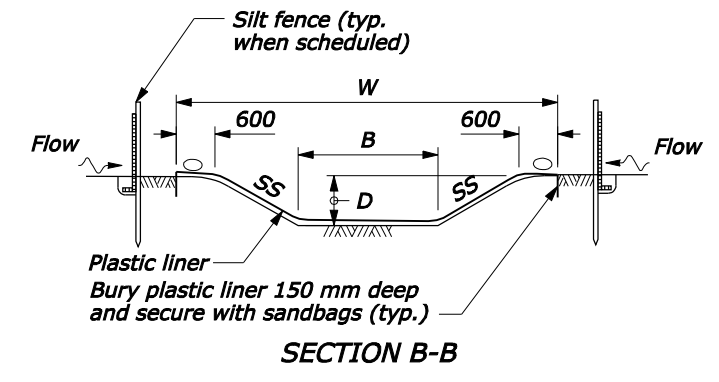
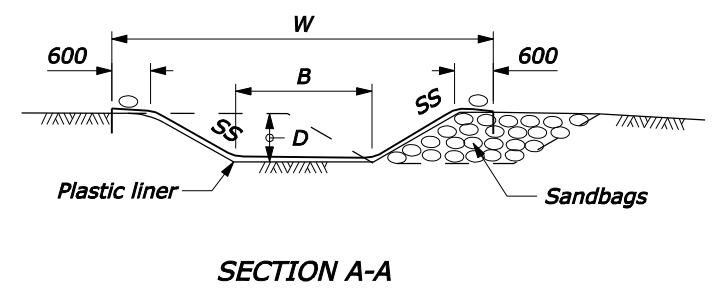
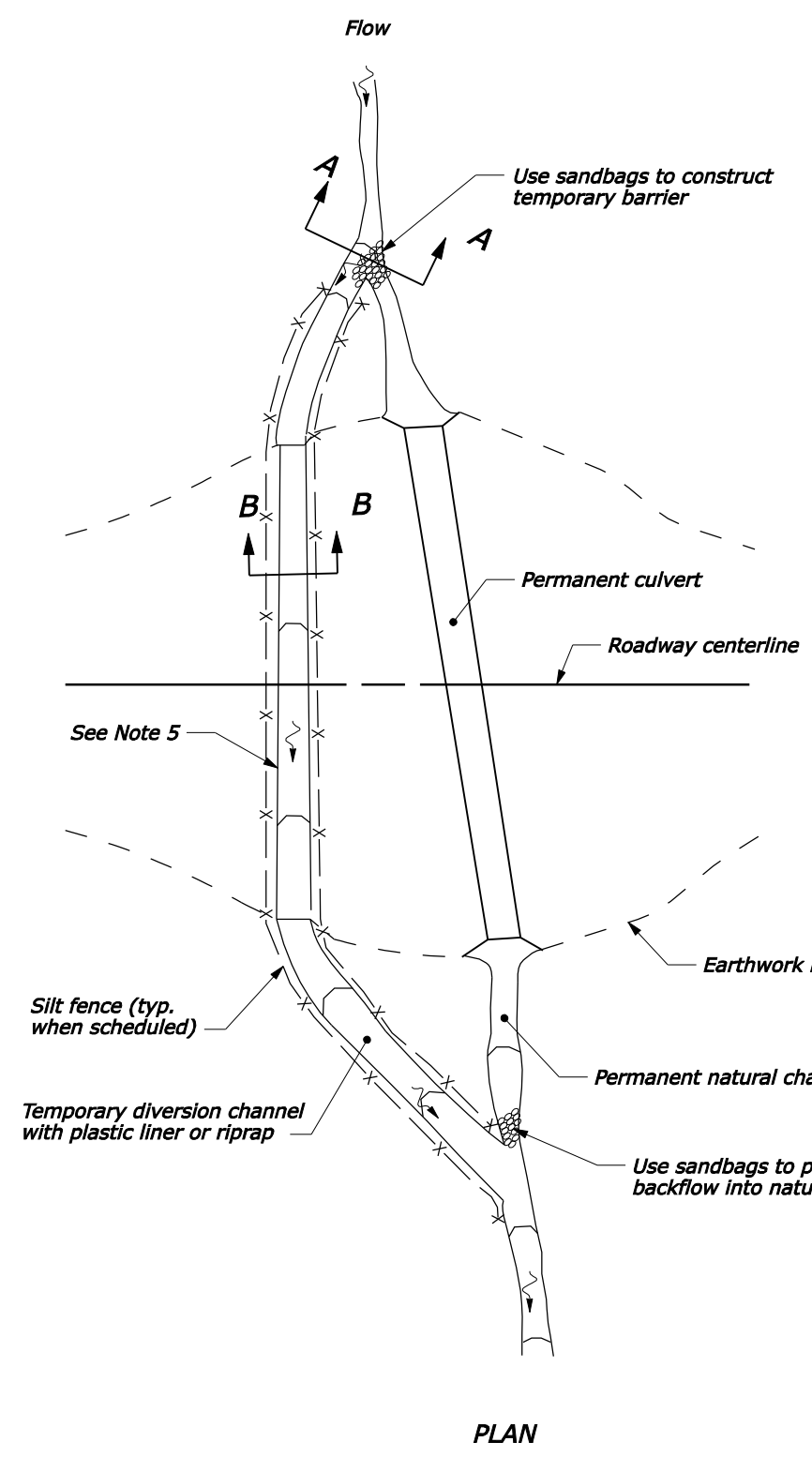
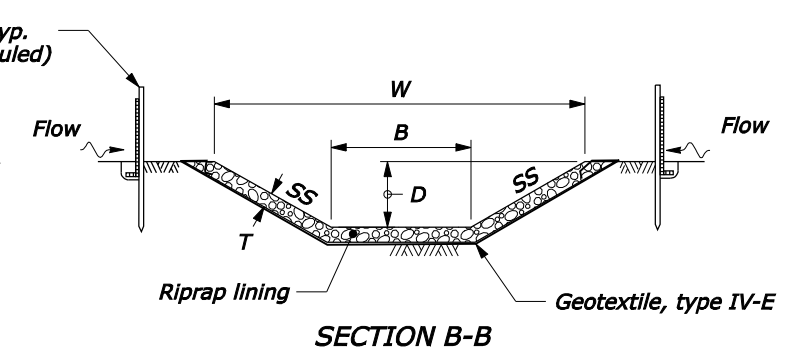
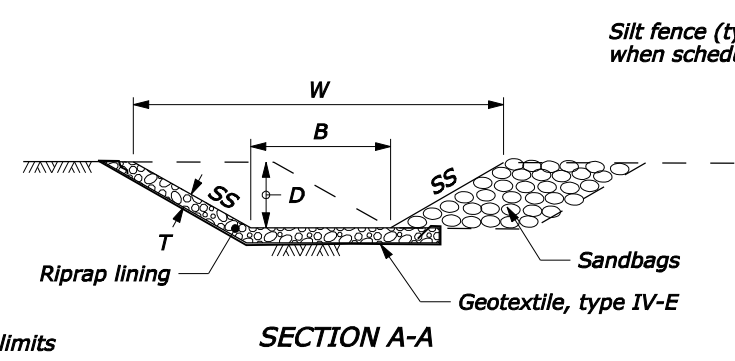


NOTE:

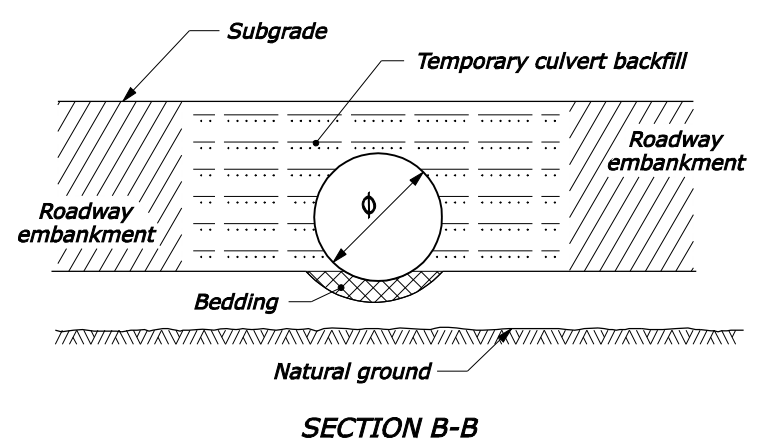
1. See Erosion Control Section for temporary culvert diameter, riprap class, channel dimensions and quantities.
2. Use plastic liner or riprap along the entire length and width of the temporary diversion channel.
3. Construct channel at a minimum grade of 0.5 percent.
4. Do not construct with longitudinal joints if using a plastic liner. Bury the upstream edge of the liner a minimum of 150 mm deep and secure with riprap or sandbags.
5. When specified replace the portion of the diversion channel through the roadway embankment with temporary culvert. Compact temporary culvert backfill using one of the methods listed in Subsection 204.11(a).
6. Dimensions without units are millimeters.



PLASTIC LINED DIVERSION CHANNEL



RIPRAP LINED DIVERSION CHANNEL



TEMPORARY CULVERT

NO SCALE

U.S. DEPARTMENT OF TRANSPORTATION FEDERAL HIGHWAY ADMINISTRATION FEDERAL LANDS HIGHWAY	
METRIC STANDARD	
TEMPORARY DIVERSION CHANNELS	
STANDARD APPROVED FOR USE 3/1996	STANDARD
REVISED: 6/1997 12/1998 6/2005 6/2007	M157-5

27-Jun-2007 03:53 PM F:\StandDraw\st15705.dgn [Metric]