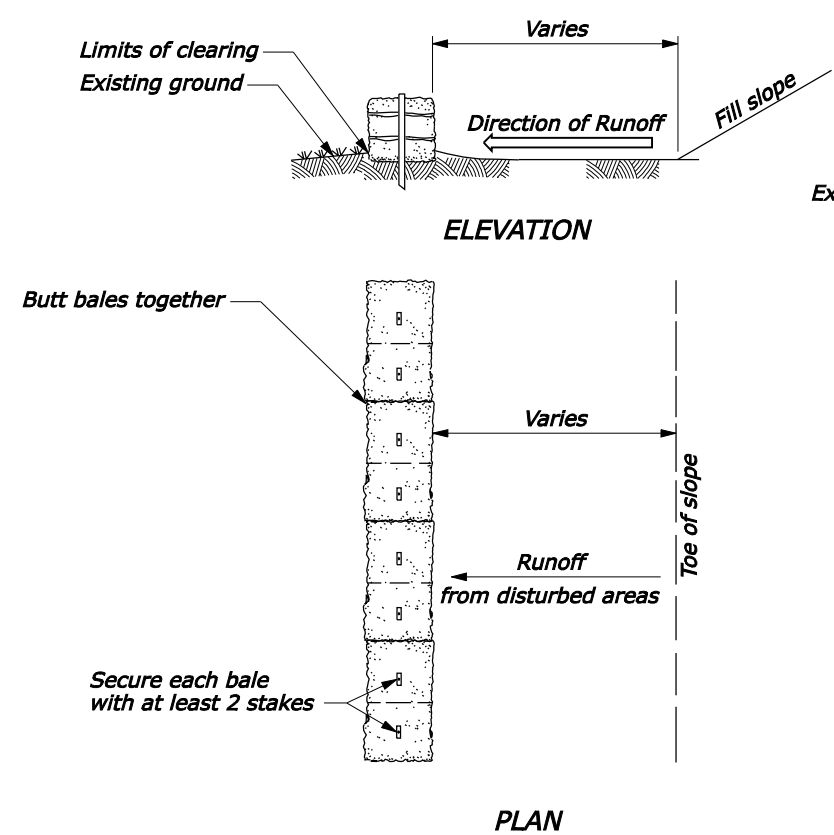
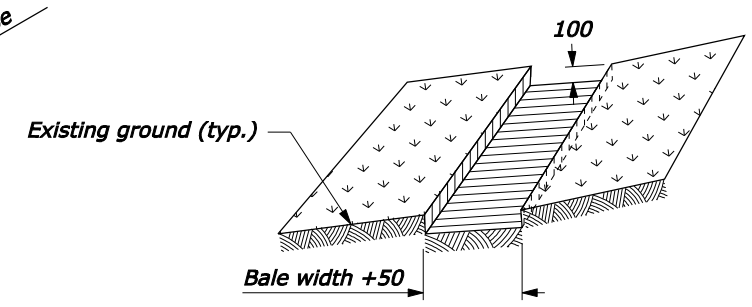


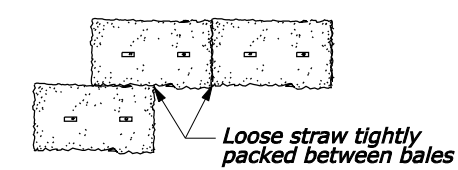
- NOTE:**
1. Use straw bales in drainage ditches only for low flow conditions and when specified on the Erosion Control Plans.
 2. Dimensions without units are millimeters.



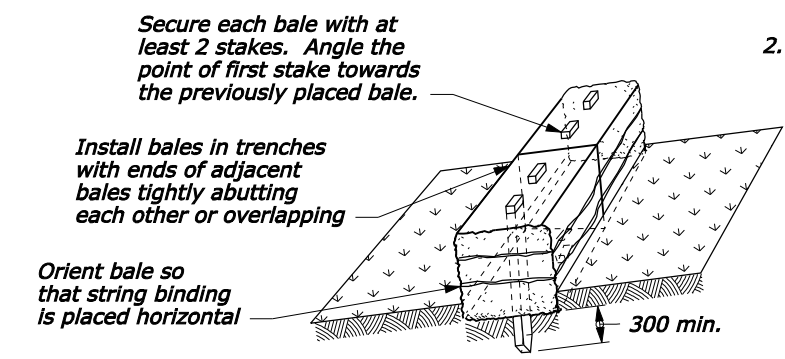
INSTALLATION OF A STRAW BALE BARRIER AT TOE OF FILL



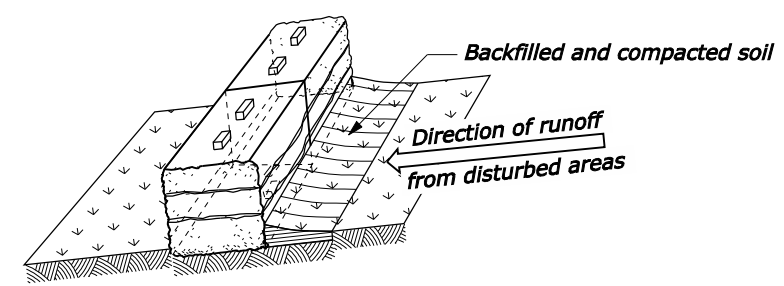
Step 1: Excavate trench



Step 3: Tightly pack straw between bales (plan view of bales)

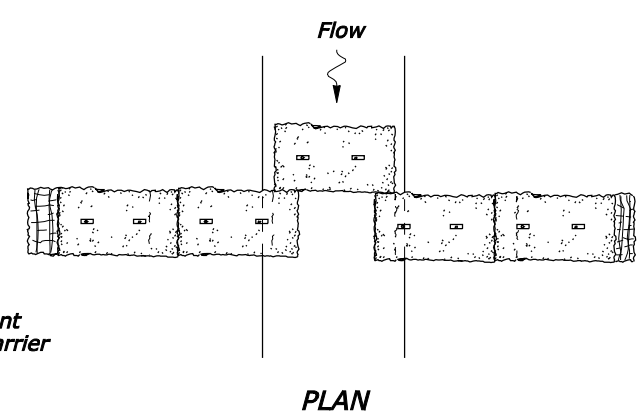
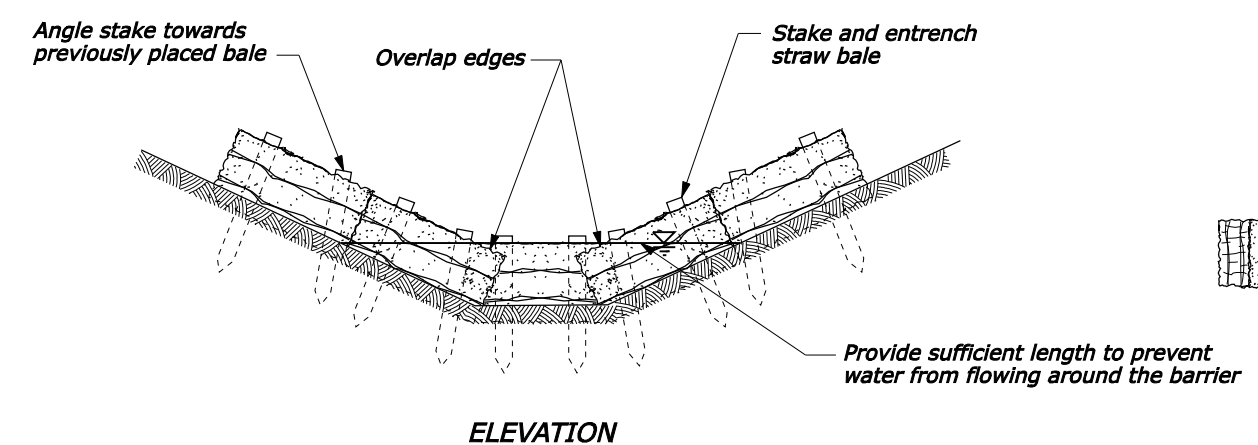


Step 2: Install bales



Step 4: Backfill soil against bales

PROPERLY STAKED AND ENTRENCHED STRAW BALES



INSTALLATION OF A STRAW BALE BARRIER IN DITCH
See Note 1

NO SCALE

U.S. DEPARTMENT OF TRANSPORTATION FEDERAL HIGHWAY ADMINISTRATION FEDERAL LANDS HIGHWAY	
METRIC STANDARD	
STRAW BALES	
STANDARD APPROVED FOR USE 3/1996	STANDARD
REVISED: 6/2005 6/2007	M157-3