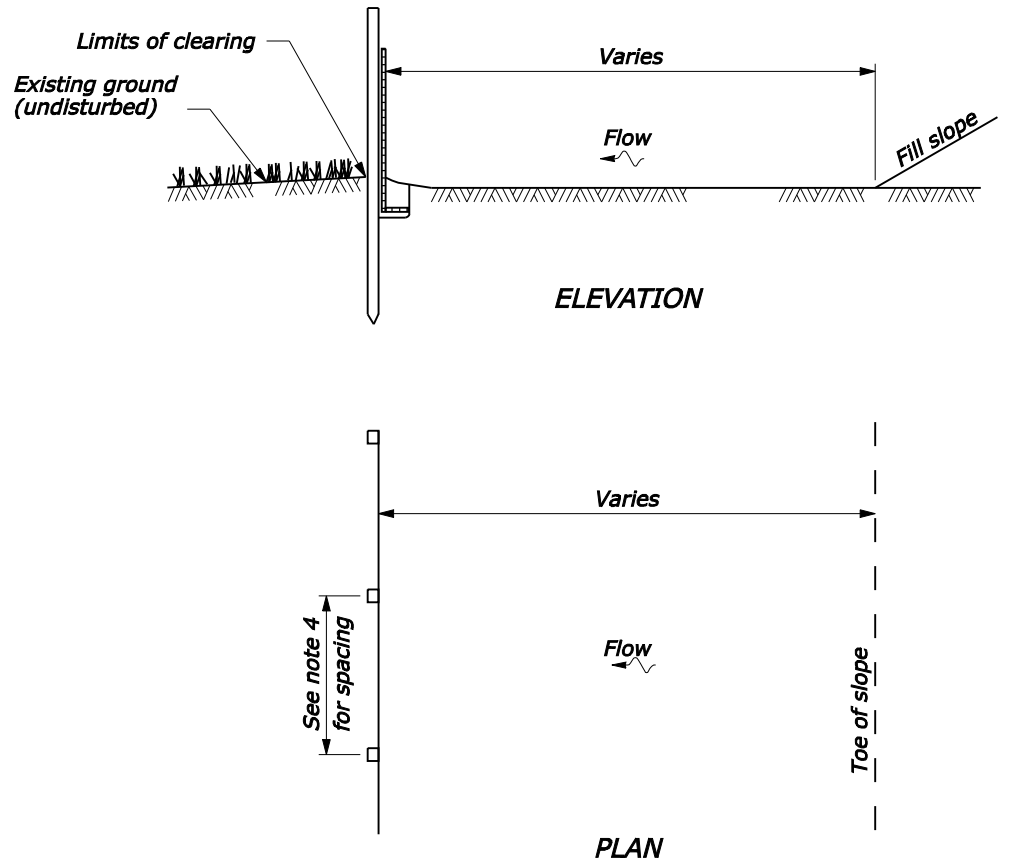
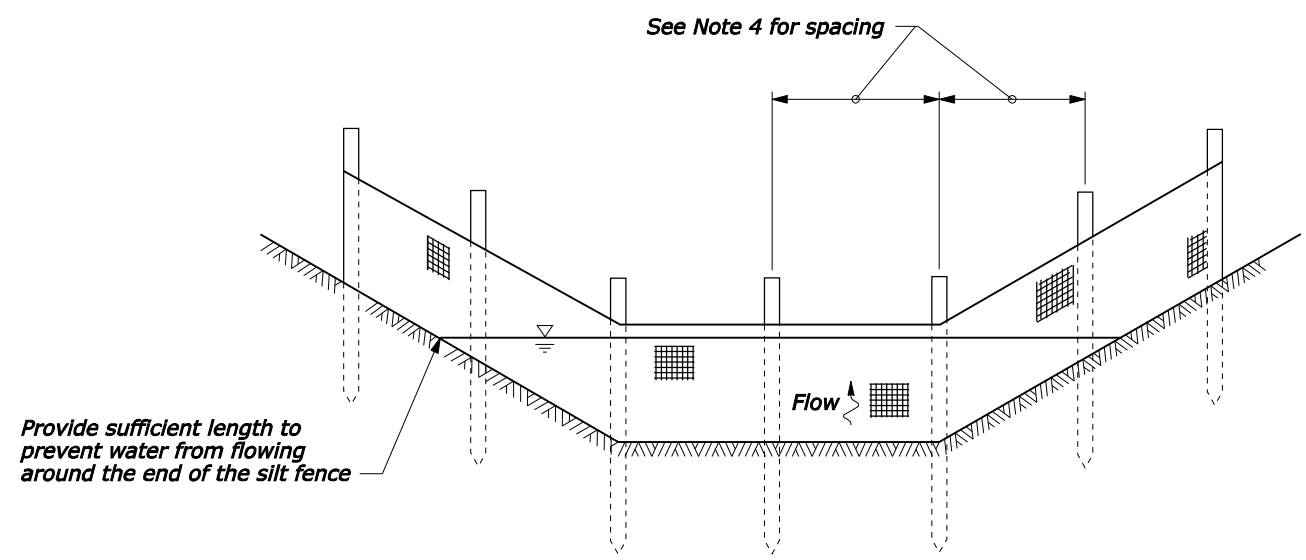


**POST AND GEOTEXTILE INSTALLATION DETAIL**



**SILT FENCE INSTALLATION AT TOE OF FILL**



**SILT FENCE INSTALLATION IN A DRAINAGE DITCH**  
See Note 1

**NOTE:**

1. Use drainage ditch installation for low flow conditions only when specified on Erosion Control Plan.
2. Alternate preassembled silt fence options (geotextile, type V-B) will be allowed as long as specified dimensions are satisfied. Follow manufacturer's recommendations for installation procedures. All types must ensure silt fence remains attached to, and does not slide down, supporting posts.
3. Install silt fence along ground contours. Curve ends of silt fence upgrade to prevent water from running around the ends.
4. 3.0 m (max.) spacing with fence support.  
1.8 m (max.) spacing without fence support.
5. Dimensions without units are millimeters.

NO SCALE

U.S. DEPARTMENT OF TRANSPORTATION FEDERAL HIGHWAY ADMINISTRATION FEDERAL LANDS HIGHWAY	
METRIC STANDARD	
<b>SILT FENCE</b>	
STANDARD APPROVED FOR USE 3/1996	STANDARD
REVISED: 6/1997 6/2005 6/2007	<b>M157-1</b>