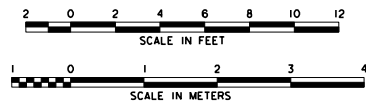
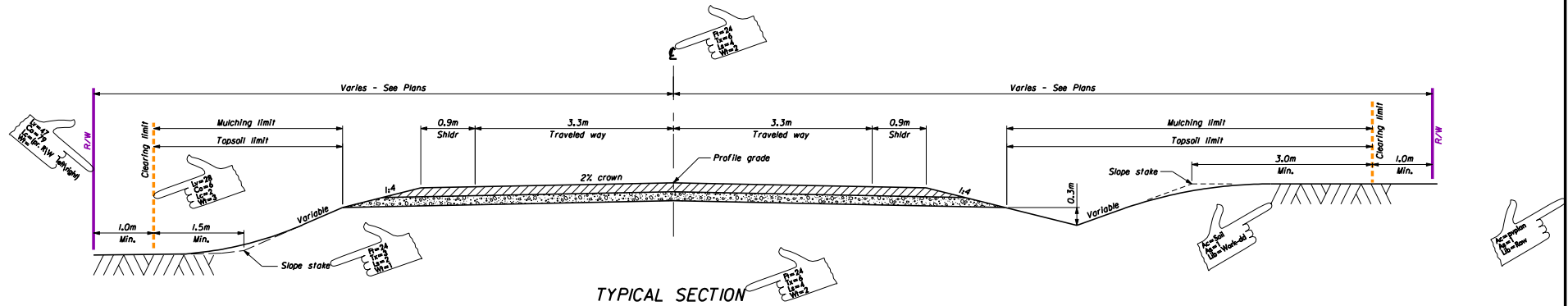


STATE	PROJECT	SHEET NUMBER	TOTAL SHEETS
WA	PFH 158-1(5)	3	7



U.S. DEPARTMENT OF TRANSPORTATION
 FEDERAL HIGHWAY ADMINISTRATION
 WESTERN FEDERAL LANDS HIGHWAY DIVISION

 TYPICAL SECTION
FLOWERY TRAIL ROAD
FOREST HIGHWAY PFH 158-1(5)
STEVENS COUNTY
WASHINGTON