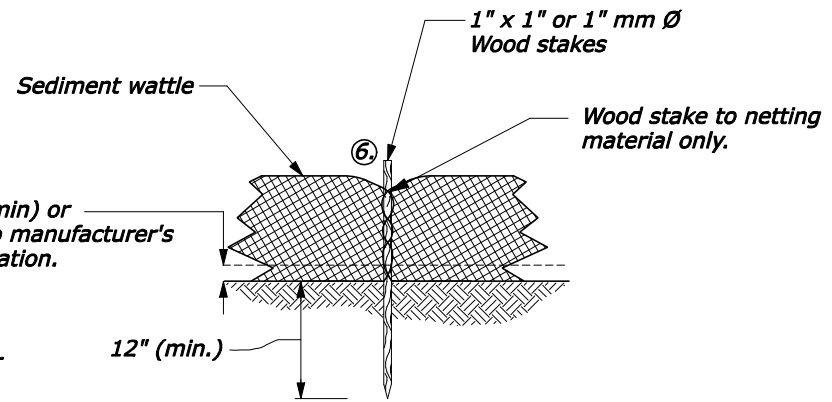
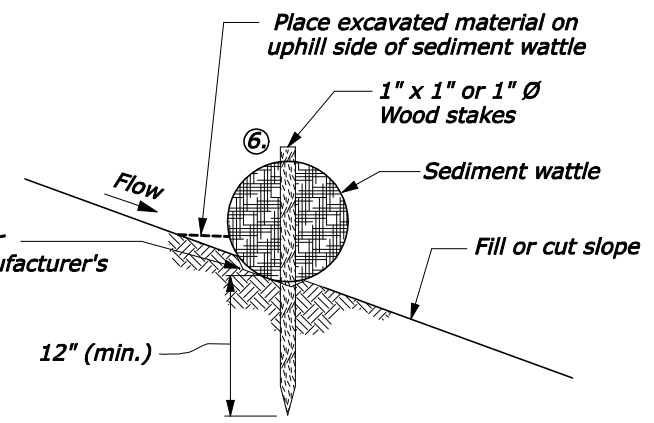


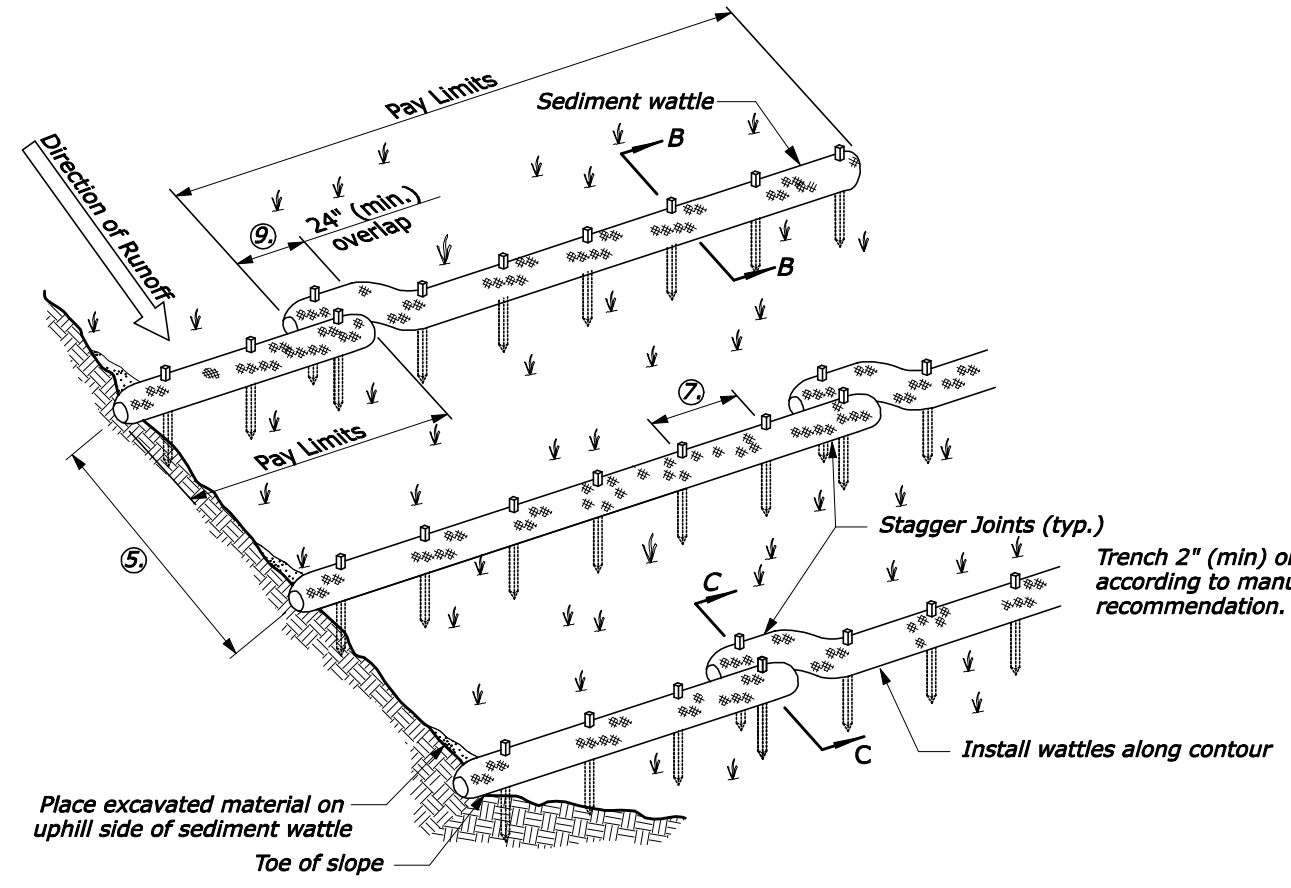
SEDIMENT WATTLE SLOPE PROTECTION INSTALLATION METHOD A



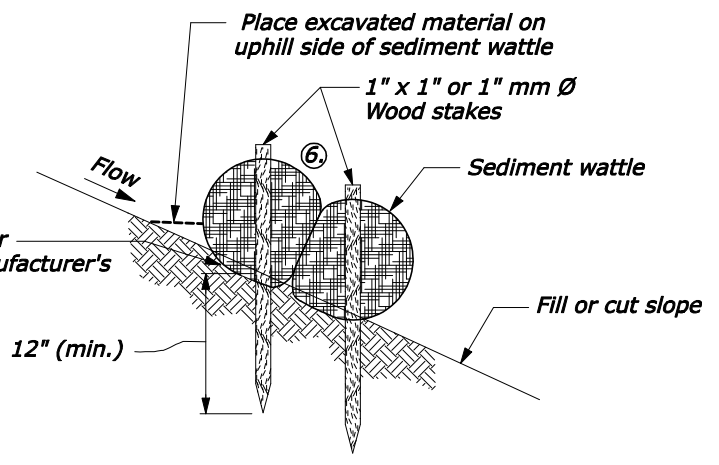
SECTION A-A WATTLE JOINT DETAIL



SECTION B-B STAKE DETAIL



SEDIMENT WATTLE SLOPE PROTECTION INSTALLATION METHOD B ⑨



SECTION C-C WATTLE LAPPING DETAIL

NOTES:

1. Wattles shall be installed and maintained according to manufacturer's recommendation.
2. Repair any rills or gullies prior to installation.
3. Install sediment wattle when slopes are constructed to grade or as directed by the Contracting Officer.
4. Construct trenches along the contour, parallel to the horizon. Place sediment wattles in continuous contact with trench bottom and sides. Tamp soil backfill against upstream side of wattle to ensure storm water is forced flow through wattle rather than under it.
- ⑤ Space wattles according to the following schedule:

Slope Ratio	Spacing Intervals
1:1	16 ft
1:2	20 ft
1:3	33 ft
1:4	46 ft
1:5	56 ft
1:6	66 ft

For slope ratios in between those shown, apply spacing intervals per the steeper slope ratio given. Start the wattle placement at the toe of slope and then space up the slope per table.
- ⑥ Drive stakes into undisturbed soil of trench bottom 12" minimum. Stake to be exposed 2" minimum above top of wattle.
- ⑦ Space stakes 24" o.c. max, 12" max at wattle ends (typ.), or according to manufacturer's recommendations.
8. Alternative stakes may be used with the approval of the CO.
- ⑨ Use method A unless otherwise directed by the CO or by the contract documents. The overlap in method B will be measured for payment.

NO SCALE

U.S. DEPARTMENT OF TRANSPORTATION FEDERAL HIGHWAY ADMINISTRATION CENTRAL FEDERAL LANDS HIGHWAY DIVISION	
U.S. CUSTOMARY SPECIAL	
SEDIMENT WATTLE	
DETAIL APPROVED FOR USE:	SPECIAL
REVISED:	C157-51A