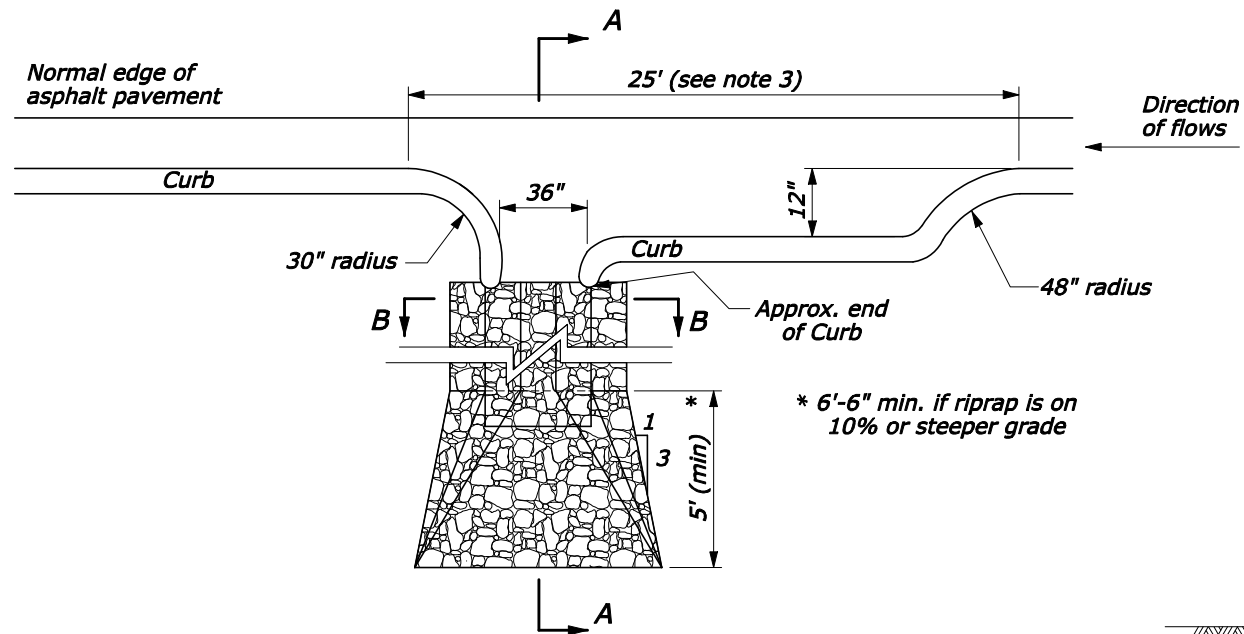
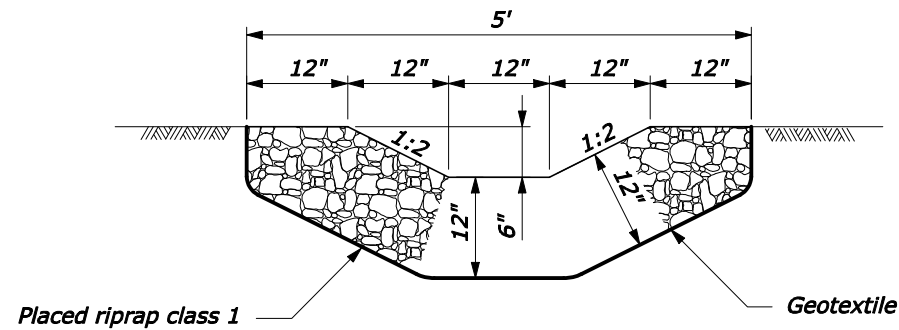


REG	STATE	PROJECT	SHEET NO.	TOTAL SHEETS



PLAN VIEW

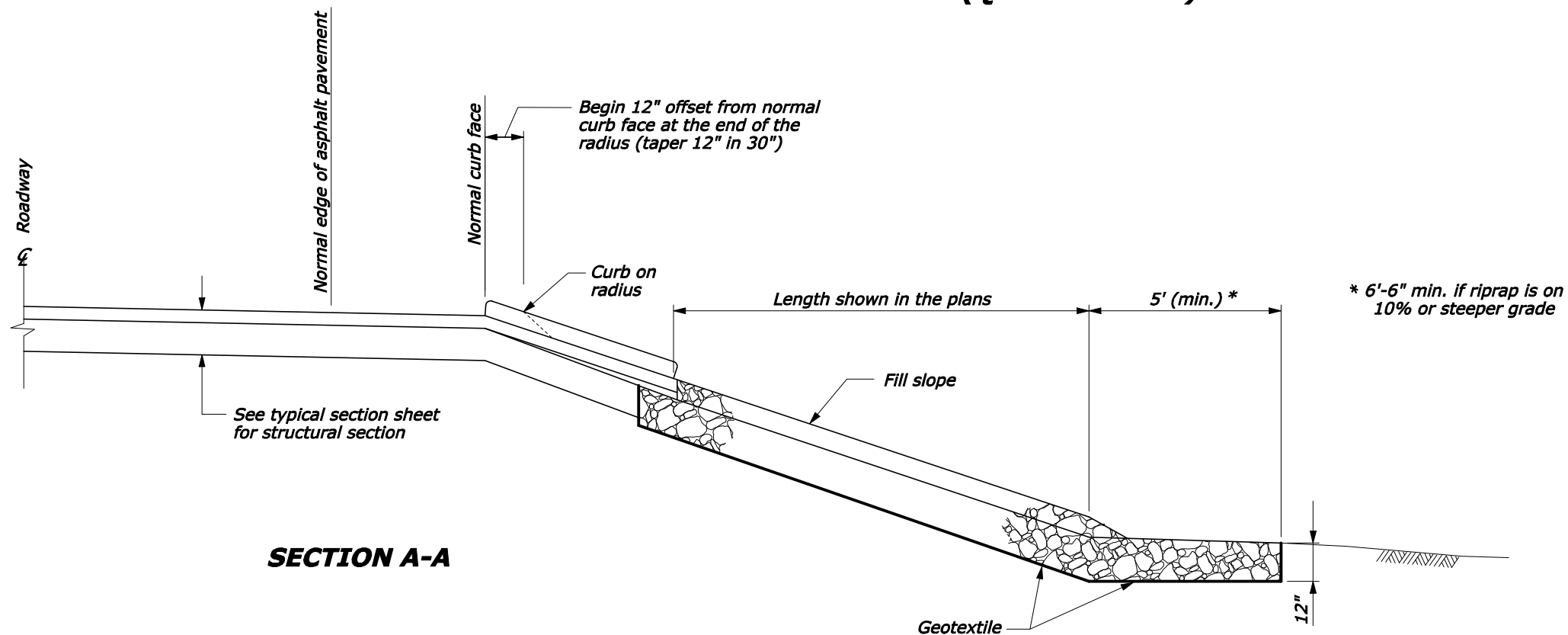
* 6'-6" min. if riprap is on 10% or steeper grade



**SECTION B-B
RIPRAP WATERWAY
(Q_{max} = 1.2 cfs)**

NOTE:

1. Excavation for placement of riprap waterway will not be measured for payment.
2. Furnish geotextile conforming to Subsection 714.01(a).
3. Adjust dimensions as necessary to accommodate guardrail posts.



SECTION A-A

NO SCALE

U.S. DEPARTMENT OF TRANSPORTATION FEDERAL HIGHWAY ADMINISTRATION CENTRAL FEDERAL LANDS HIGHWAY DIVISION	
U.S. CUSTOMARY DETAIL	
RIPRAP WATERWAY IN CURB CUT	
DETAIL APPROVED FOR USE 07/2004	DETAIL
REVISED: 08/2006 03/2009	C608-50



NOTES TO THE DESIGNER

Last Updated: March 2009

General Information

1. **Riprap classes.** Use this drawing with either the FP-03 riprap classifications or the NCHRP classifications (See the Section 251 SCRs on the LOS).

Applicable SCRs

1. Section 251:
http://www.cflhd.gov/design/_documents/construction/scr_03/S251-03E.doc
2. Section 705:
http://www.cflhd.gov/design/_documents/construction/scr_03/S705-03E.doc

Typical Pay Items Used

- 60801-0600 Paved waterway, type 6 (SQYD) or
- 60802-0600 Paved waterway, type 6 (LNFT)

- Other project-specific items, including curb and pavement surfacing
- Geotextile quantity is shown for information only

Updates

October 16, 2000

- Updated border to FLH Standard

February 28, 2005

- Updated to MicroStation V8

March 2009

- Added note 3
- Minor drafting edits