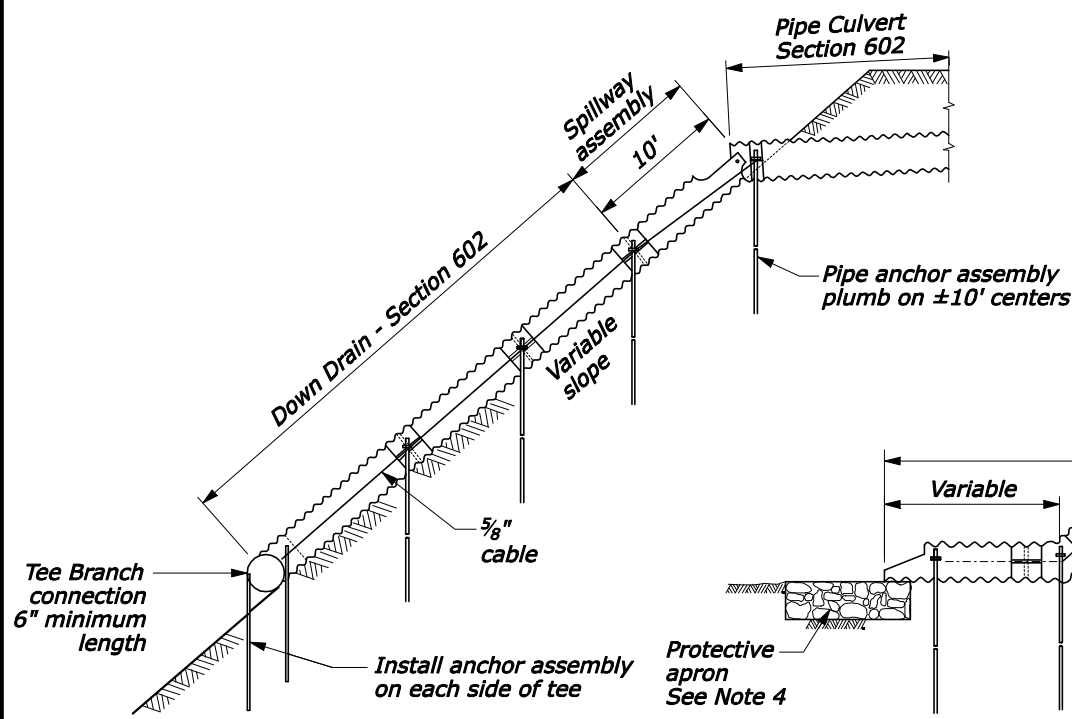
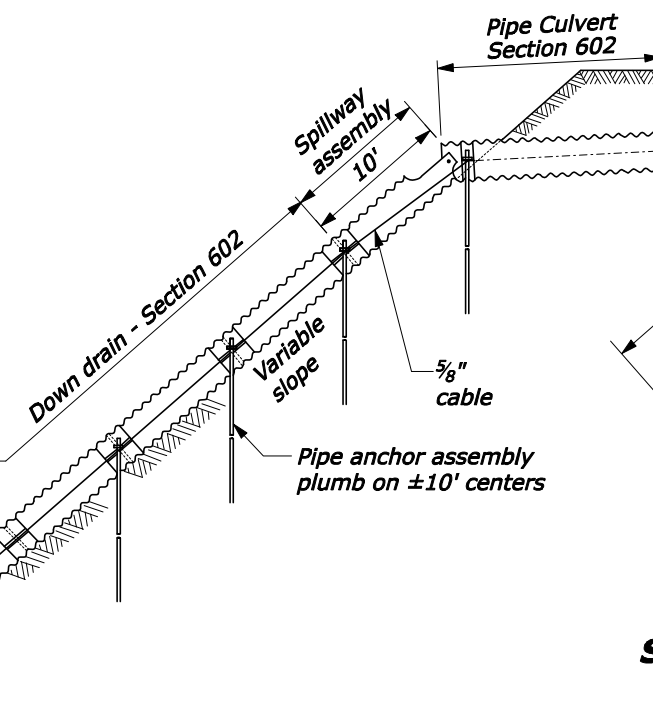


REG	STATE	PROJECT	SHEET NO.	TOTAL SHEETS



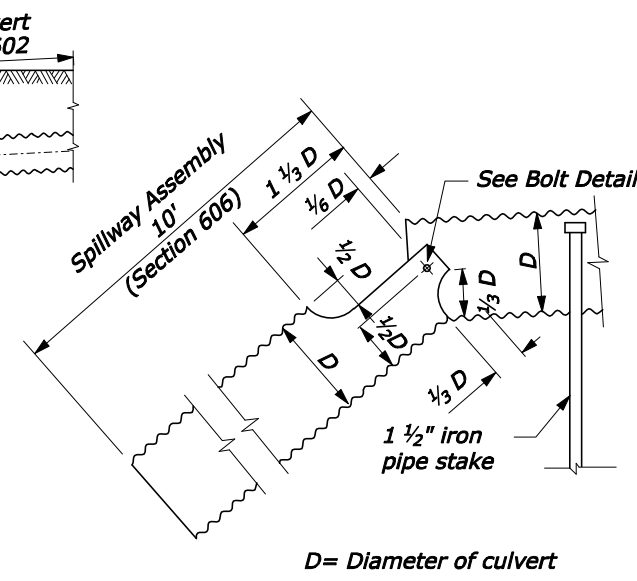
ELEVATION

SPILLWAY ASSEMBLY WITH DOWN DRAIN OUTLET ON NON-ERODIBLE MATERIAL

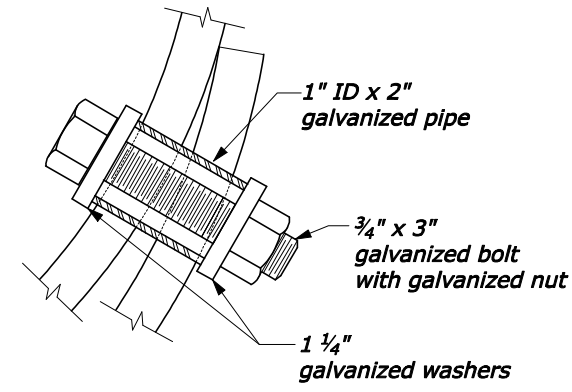


ELEVATION

SPILLWAY ASSEMBLY WITH DOWN DRAIN OUTLET ON ERODIBLE MATERIAL



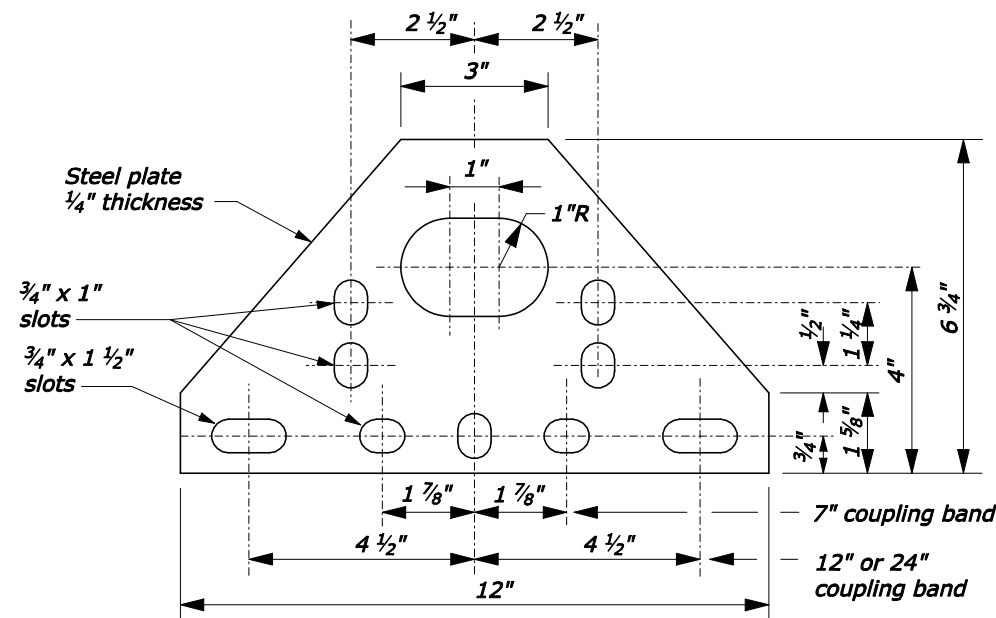
SPILLWAY ASSEMBLY



BOLT DETAIL

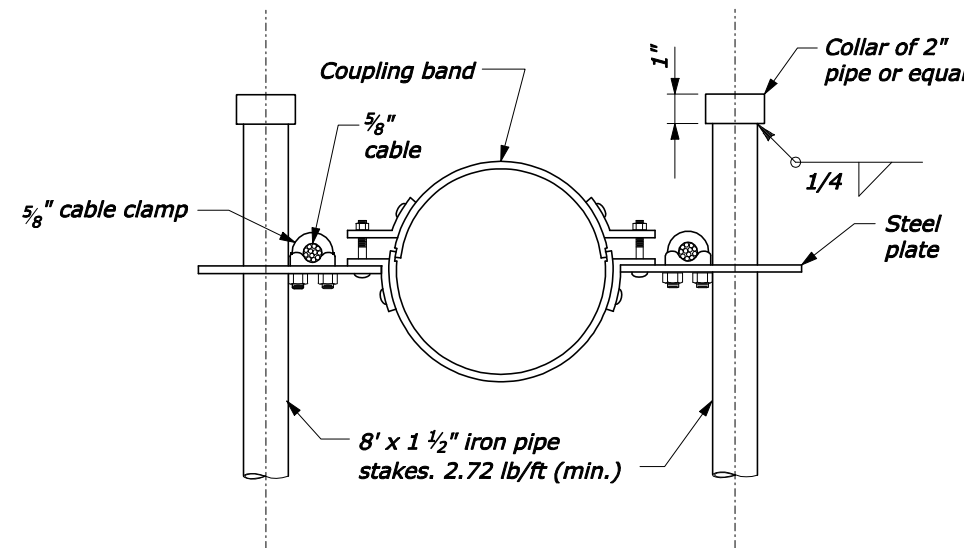
NOTE:

1. Fabricate spillway assembly from annular corrugated pipe, or from helically corrugated pipe with factory annular or reformed ends. Use 16 gage galvanized steel or 16 gage aluminum.
2. Make all banded connections watertight by placing 1/4 inch bead of approved caulking under each half of the band before tightening.
3. Payment for Tee Branch connection under Section 602 is included in the linear foot measurement for culvert pipe for the applicable sizes. Measure Tee Branch connections along the top of the Tee.
4. Furnish riprap conforming to Section 251 for protective apron. See Detail C 251-50.
5. Galvanize all items of anchor assembly after fabrication.
6. Furnish hardware in the imperial sizes shown. Equivalent metric sizes may be used when imperial sizes are not available.
7. Alternate designs may be used with approval of the CO.



Measure length of coupling band parallel to the centerline of the pipe.

STEEL PLATE



ANCHOR ASSEMBLY

NO SCALE

4/23/2009 1:59:46 PM N:\CFL-DPTT\Black\Drawings In Progress\C606-50.dgn

U.S. DEPARTMENT OF TRANSPORTATION FEDERAL HIGHWAY ADMINISTRATION CENTRAL FEDERAL LANDS HIGHWAY DIVISION	
U.S. CUSTOMARY DETAIL	
CMP SPILLWAY ASSEMBLY WITH DOWN DRAIN	
DETAIL APPROVED FOR USE 07/2004	DETAIL
REVISED: 08/2006	C606-50