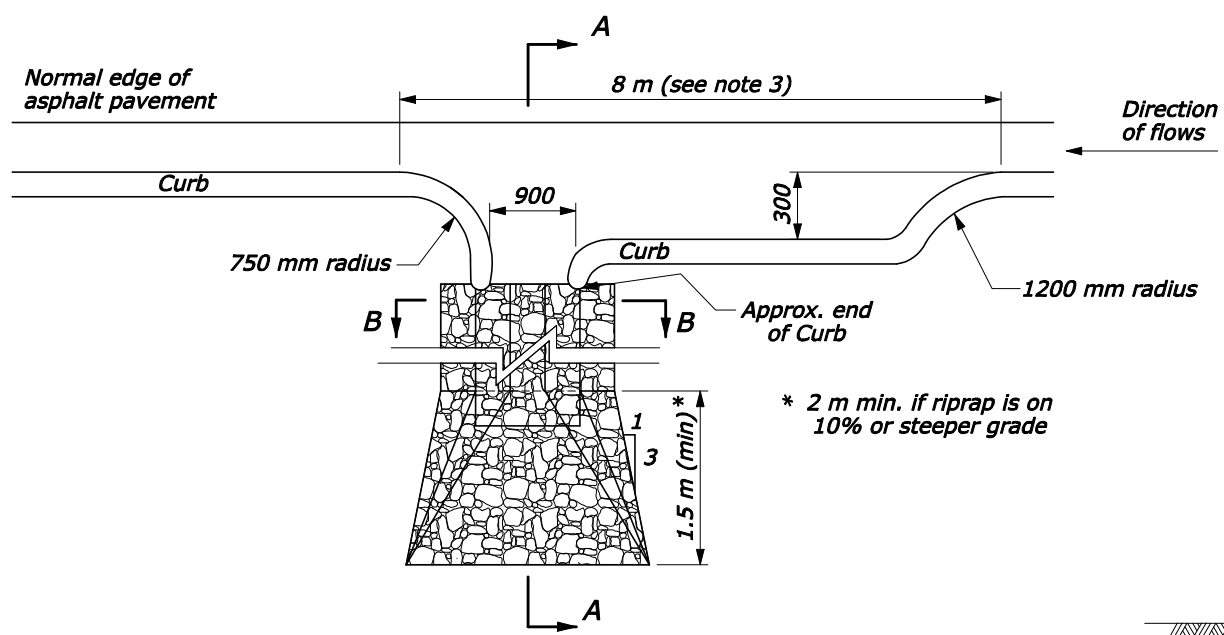
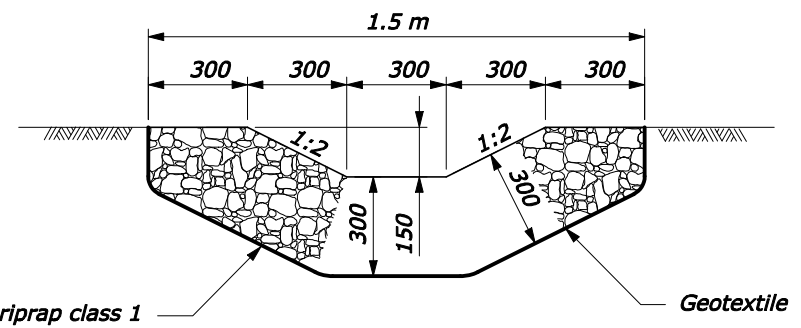


REG	STATE	PROJECT	SHEET NO.	TOTAL SHEETS



**PLAN VIEW**

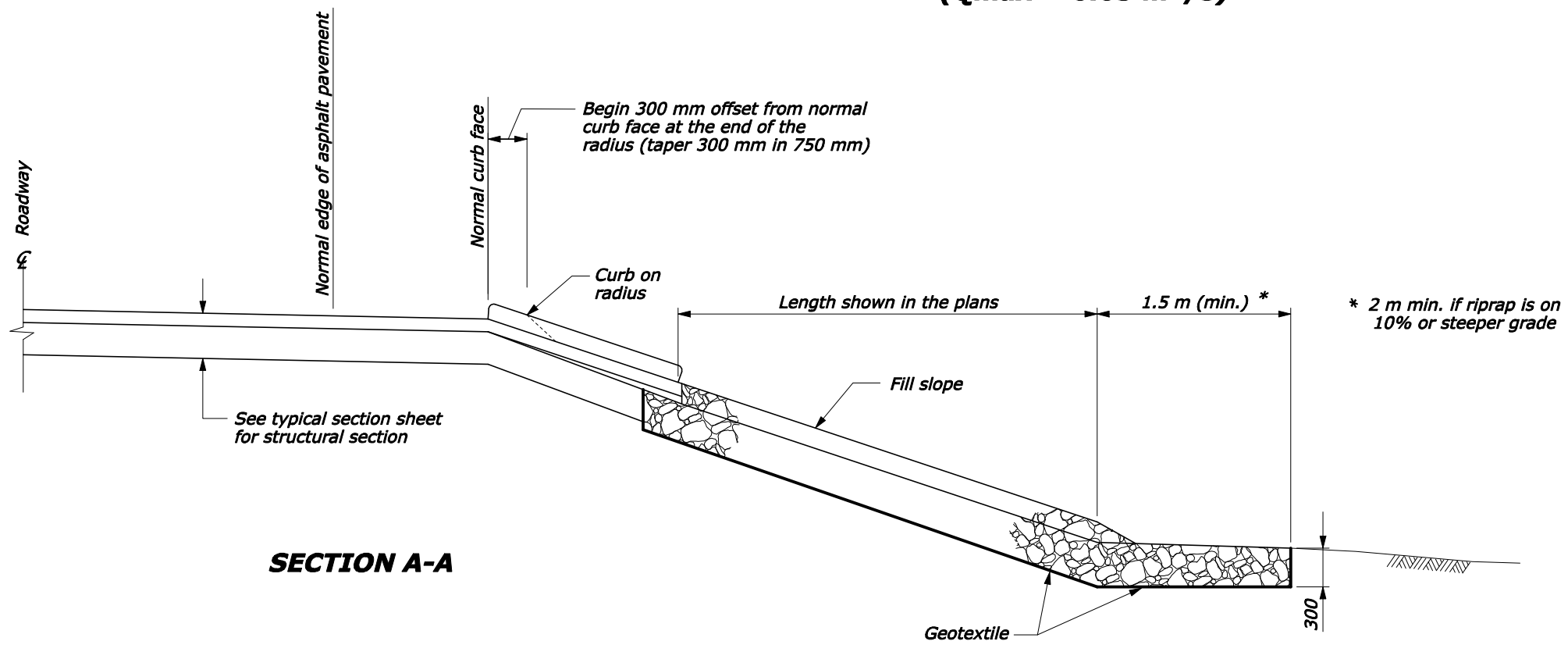
\* 2 m min. if riprap is on 10% or steeper grade



**SECTION B-B  
RIPRAP WATERWAY  
( $Q_{max} = 0.03 \text{ m}^3/\text{s}$ )**

**NOTE:**

1. Excavation for placement of riprap waterway will not be measured for payment.
2. Furnish geotextile conforming to Subsection 714.01(a).
3. Adjust dimensions as necessary to accommodate guardrail posts.
4. Dimensions not labeled are in millimeters.



**SECTION A-A**

NO SCALE

U.S. DEPARTMENT OF TRANSPORTATION FEDERAL HIGHWAY ADMINISTRATION CENTRAL FEDERAL LANDS HIGHWAY DIVISION	
METRIC DETAIL	
<b>RIPRAP WATERWAY IN CURB CUT</b>	
DETAIL APPROVED FOR USE 07/2004 REVISED: 08/2006 03/2009	DETAIL CM608-50

3/20/2009 12:40:39 PM N:\CFL-DPT\Details Team\for\_website\March09\CM608-50.dgn



## NOTES TO THE DESIGNER

Last Updated: March 2009

---

### General Information

1. **Riprap classes.** Use this drawing with either the FP-03 riprap classifications or the NCHRP classifications (See the Section 251 SCRs on the LOS).

---

### Applicable SCRs

1. Section 251:  
[http://www.cflhd.gov/design/\\_documents/construction/scr\\_03/S251-03M.doc](http://www.cflhd.gov/design/_documents/construction/scr_03/S251-03M.doc)
2. Section 705:  
[http://www.cflhd.gov/design/\\_documents/construction/scr\\_03/S705-03M.doc](http://www.cflhd.gov/design/_documents/construction/scr_03/S705-03M.doc)

---

### Typical Pay Items Used

- 60801-0600 Paved waterway, type 6 (m2) or
- 60802-0600 Paved waterway, type 6 (m)
  
- Other project-specific items, including curb and pavement surfacing
- Geotextile quantity is shown for information only

---

### Updates

October 16, 2000

- Updated border to FLH Standard

February 28, 2005

- Updated to MicroStation V8

March 2009

- Added note 3
- Minor drafting edits