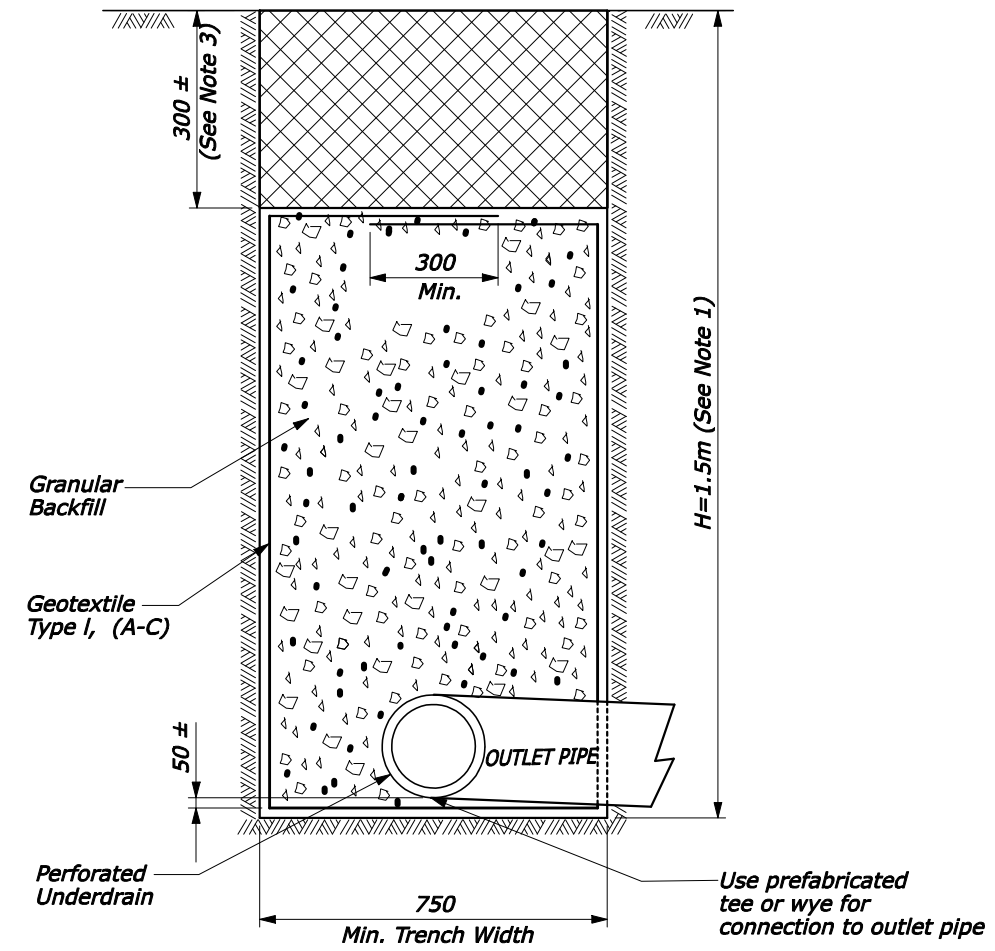
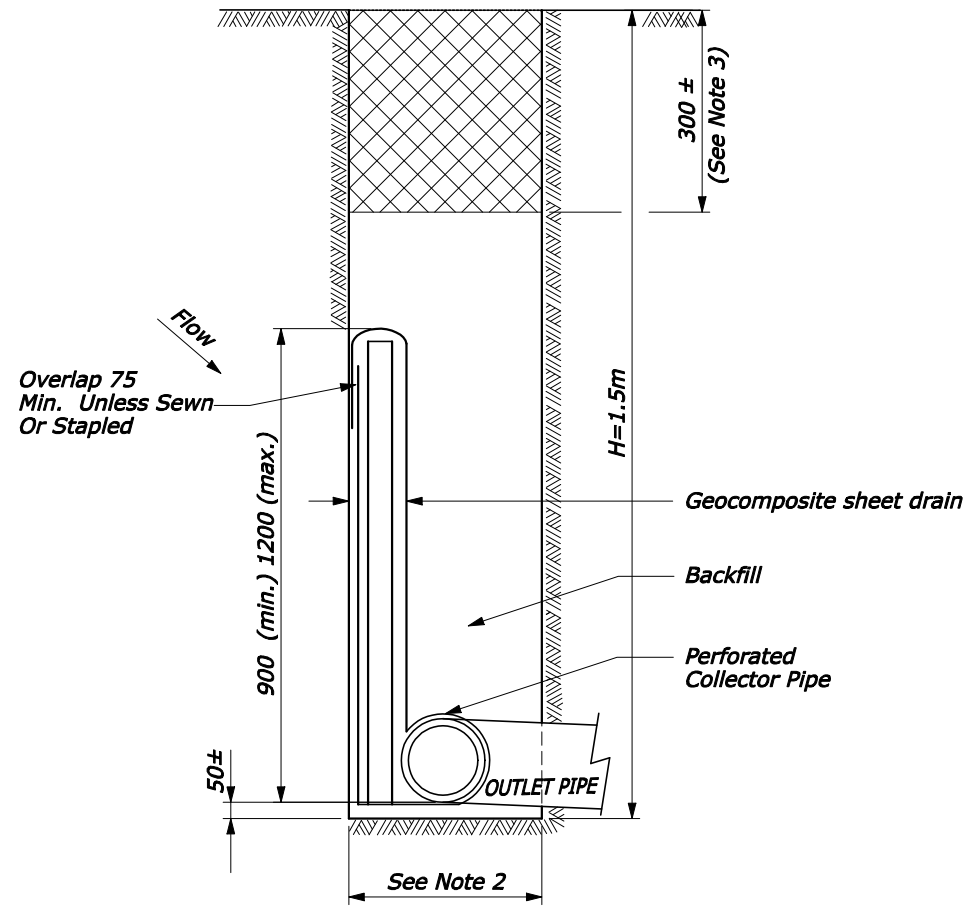


REG	STATE	PROJECT	SHEET NO.	TOTAL SHEETS

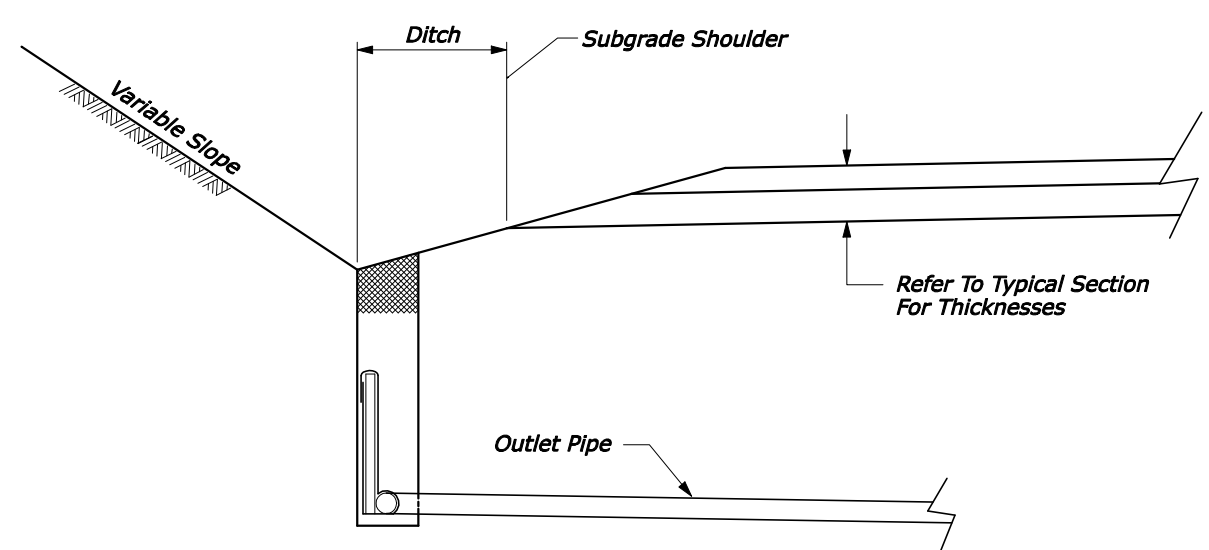


STANDARD UNDERDRAIN

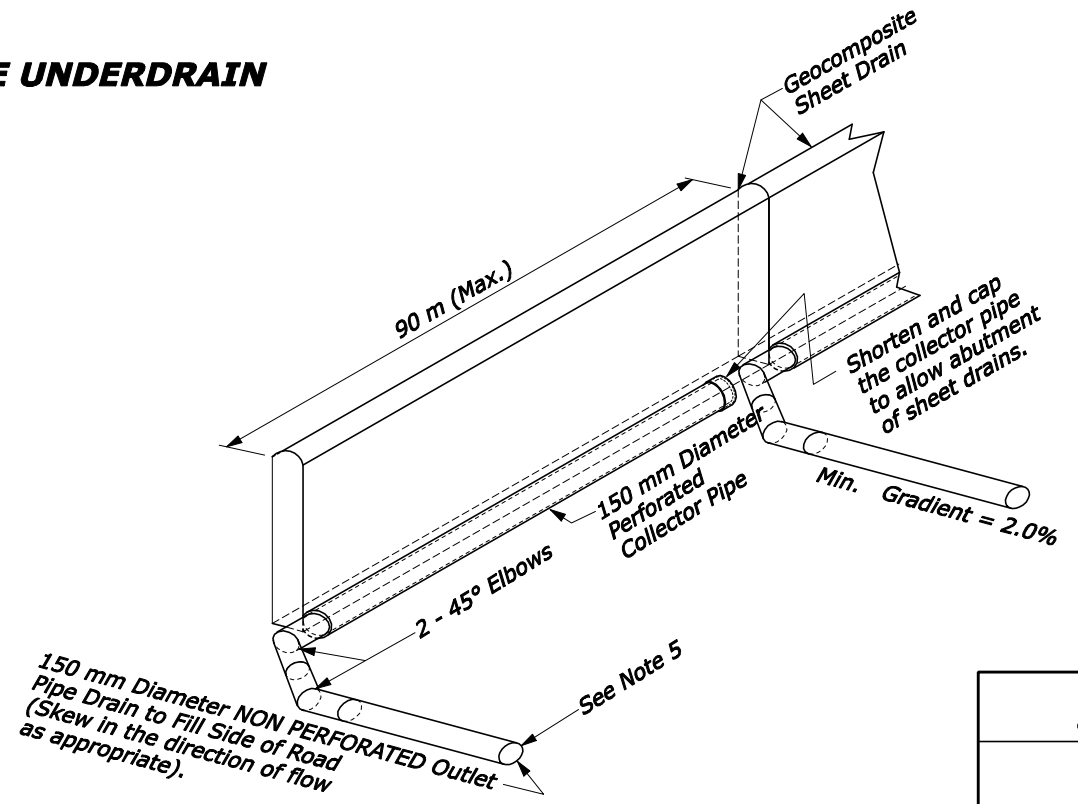


GEOCOMPOSITE UNDERDRAIN

- NOTE:**
1. Install underdrain at a 1.5 meter depth unless shown otherwise. Construct the flowline gradient parallel to the roadway, unless solid rock is encountered, or gradient is required at the outlet.
 2. Use the minimum width required for installation.
 3. Fill and compact the top 300 mm of the trench with impermeable material (A4 - A7 soil).
 4. Cover the end of the outlet pipe with screen according to Subsection 605.03. Hold the screen securely in place with standard coupling bands or by other approved means.
 5. Mark the outlet of the underdrain with a delineator post or other suitable marker.
 6. Furnish geocomposite sheet drain meeting requirements of subsection 714.02.
 7. Furnish collector pipe, outlet pipe & fillings meeting the requirements of subsection 706.08(d).
 8. Dimensions not labeled are in millimeters.



STANDARD UNDERDRAIN OR GEOCOMPOSITE UNDERDRAIN LOCATION



OUTLET PIPE DETAIL

NO SCALE

U.S. DEPARTMENT OF TRANSPORTATION
 FEDERAL HIGHWAY ADMINISTRATION
 CENTRAL FEDERAL LANDS HIGHWAY DIVISION

METRIC DETAIL

STANDARD AND GEOCOMPOSITE UNDERDRAINS

DETAIL APPROVED FOR USE 07/2004
 REVISOR: 08/2006

DETAIL
 CM605-50

8/8/2006 9:17:39 AM L:\DESIGN\AD2\CFL Details Team\Web Ready\LC605-50.dgn