

February 12, 2009

Heery International, Inc.  
1099 14<sup>th</sup> Street, N.W.  
Suite 101  
Washington, D.C. 20005

Attn.: Mr. Ruben E. Belen, RA  
Project Manager

Re: Environmental Assessment  
National Archives – Moat Entry Flood Control Walls  
700 Pennsylvania Avenue, N.W.  
Washington, D.C. 20408  
Contract Number: NAMA-04-SEM-0008  
PSI Project No: 512-8E008

Dear Mr. Belen

Professional Service Industries, Inc. (PSI) has prepared an Environmental Assessment (EA) report for the above referenced property. Please find one copy of the final report enclosed.

Thank you for choosing PSI as your consultant for this project. If you have any questions, or if we can be of additional service, please call us at (703) 698-9300.

Respectfully submitted,

**PROFESSIONAL SERVICE INDUSTRIES, INC.**



William Thomas  
Project Manager  
Environmental Services



Lynn P. Kaerwer, P.E. (VA)  
Principal Consultant

Enclosures

## ENVIRONMENTAL ASSESSMENT

For the

**NATIONAL ARCHIVES – MOAT ENTRY FLOOD  
CONTROL WALLS  
700 PENNSYLVANIA AVENUE, N.W.  
WASHINGTON, D.C. 20408**

Prepared for

**HEERY INTERNATIONAL, INC.  
1099 14<sup>TH</sup> STREET, N.W.  
SUITE 101  
WASHINGTON, D.C. 20005**

Prepared by

**Professional Service Industries, Inc.  
2930 Eskridge Road, Suite C  
Fairfax, Virginia 22031  
Telephone (703) 698-0039**

**PSI Project No. 512-8E008**

**February 12, 2009**

 *Information  
To Build On*  
**Engineering • Consulting • Testing**



---

William Thomas  
Project Manager



---

Lynn P. Kaerwer, P.E. (VA)  
Principal Consultant

# TABLE OF CONTENTS

<b>1.0</b>	<b>INTRODUCTION .....</b>	<b>1</b>
1.1	SITE DESCRIPTION .....	1
1.2	SITE LOCATION .....	1
<b>2.0</b>	<b>SITE INFORMATION .....</b>	<b>2</b>
2.1	SITE SELECTION .....	2
2.2	LOCAL COMMUNITY ISSUES.....	2
2.3	ALTERNATIVES CONSIDERED .....	5
<b>3.0</b>	<b>ASSESSMENT OF POTENTIAL IMPACTS.....</b>	<b>7</b>
3.1	WILDERNESS AREA RECORDS REVIEW.....	6
3.2	WILDLIFE PRESERVE RECORDS REVIEW.....	6
3.3	THREATENED OR ENDANGERED SPECIES RECORDS REVIEW.....	6
3.4	HISTORIC BUILDINGS OR STRUCTURES RECORDS REVIEW .....	6
3.5	NATIVE AMERICAN RELIGIOUS SITES RECORDS REVIEW .....	7
3.6	FLOOD PLAIN RECORDS REVIEW.....	7
3.7	SIGNIFICANT CHANGE IN SURFACE FEATURES.....	7
<b>4.0</b>	<b>ENVIRONMENTAL CONSEQUENCES .....</b>	<b>8</b>
<b>5.0</b>	<b>SUMMARY AND RECOMMENDATIONS .....</b>	<b>9</b>
<b>6.0</b>	<b>LIST OF FIGURES</b>	
	Figure 1 Site Vicinity Map	
<b>7.0</b>	<b>LIST OF APPENDICIES</b>	
	Appendix A – Site Photographs	
	Appendix B – NEPA Report and Environmental Database Report	
	Appendix C – Supporting Document	
	Appendix D - Credentials	



## 1.0 INTRODUCTION

National Archives facility is located at 700 Pennsylvania Avenue, N.W., Washington, D.C. and consists of approximately two square city blocks. National Archives is bounded by Pennsylvania Avenue to the north, 7<sup>th</sup> Street to the east, Constitution Avenue to the south and 9<sup>th</sup> Street to the west. The National Archives is an independent agency of the United States government and is responsible for the preservation and management of historical records of the United States government. The building was originally constructed in 1934. The National Archives and Records Administration (NARA) proposes to construct Moat Entry Flood Control Walls that would be located at the 7<sup>th</sup> and 9<sup>th</sup> Street entrances to improve stormwater drainage and to help protect against future flooding issues. In accordance with the National Environmental Policy Act of 1969 (NEPA) and Council of Environmental Quality (CEQ) regulations for implementation of NEPA (40 CFR Parts 1500 – 1508), as well as National Capital Planning Commission (NCPC) Environmental and Historic Preservation Policies and Procedures, this Environmental Assessment has been prepared for NARA and Heery International, Inc. to address the potential environmental effects which may be associated with the construction of the flood control walls.

***The purpose of the proposed action is to provide Moat Entry Flood Control Walls, that would prevent or reduce the amount of future stormwater flooding.***

### 1.1 SITE DESCRIPTION

National Archives facility is located at 700 Pennsylvania Avenue, N.W., Washington, D.C. and consists of approximately two square city blocks. National Archives is bounded by Pennsylvania Avenue to the north, 7<sup>th</sup> Street to the east, Constitution Avenue to the south and 9<sup>th</sup> Street to the west. The National Archives was originally constructed in 1934.

The proposed Moat Entry Flood Control Wall units are located at the east and west entrance gates of the National Archives building along 7<sup>th</sup> and 9<sup>th</sup> streets, respectively. The proposed construction at each entrance includes one 25-foot wide wall installed in a vault beneath grade. The walls will be raised during rain events to protect the building from stormwater buildup in the moat area and along the building walls. Please refer to the Architectural/Construction Drawings located in Appendix C for further design and construction details regarding the installation of the Moat Entry Flood Control Walls.

### 1.2 SITE LOCATION

The subject property is known as the National Archives Washington, D.C. facility, which is located at 700 Pennsylvania Avenue N.W., Washington, D.C. Adjoining properties include the Pennsylvania Avenue followed by the Navy Memorial and Market Square office buildings to the north; 7<sup>th</sup> Street N.W. followed by the Federal Trade Commission Building to the east; Constitution Avenue followed by the National Gallery of Art & Sculpture Gardens to south and 9<sup>th</sup> Street N.W. followed by the Department of Justice federal building. Please refer to Figure 1 for a site vicinity map.





## 2.0 SITE INFORMATION

### 2.1 SITE SELECTION

The proposed Moat Entry Flood Control Walls locations along the 7<sup>th</sup> and 9<sup>th</sup> Street entrances were selected based upon the current property development. In 2006, during a heavy rainfall the current moat area was flooded with city storm water and was identified to have inadequate drainage.

### 2.2 LOCAL COMMUNITY ISSUES

A discussion of the impact of the development of the proposed Moat Entry Flood Control Walls with regard to local community issues, including zoning, erosion control, traffic control, noise levels, ambient air quality, and socioeconomic considerations, is discussed below. Also, information relating to the public comment period for the EA is provided at the end of this section.

#### ***Zoning***

The proposed area of construction is part of the National Archives facility and due to the federal occupancy of the site the proposed Moat Entry Flood Control Wall construction is exempt from local zoning regulations. However, the proposed activities at the subject site appear to be consistent with that of adjoining properties, which includes Pennsylvania Avenue followed by the Navy Memorial and Market Square office buildings to the north; 7<sup>th</sup> Street N.W. followed by the Federal Trade Commission Building to the east; Constitution Avenue followed by the National Gallery of Art & Sculpture Gardens to south and 9<sup>th</sup> Street N.W. followed by the Department of Justice federal building.

#### ***Erosion Control***

The development of the Moat Entry Flood Control Walls will require minimal excavation of soils at the site. A current United States Geological Survey (USGS) 7.5 minute topographic map showing the area where the property is located was obtained and reviewed. The 1994 USGS "Alexandria, VA-DC-MD" quadrangle map was reviewed. According to the contour lines on the topographic map, the property is located approximately 30-50 feet above mean sea level. The contour lines in the area of the property indicate the area has a regional slope to the southwest, toward the Potomac River. According to the *Soil Survey of the District of Columbia* prepared by the United States Department of Agriculture Soil Conservation Service, issued July 1976, soils at the site are classified as Urban Land (Ub). This mapping unit consists of areas where more than 80 percent of the surface is covered by asphalt, concrete, buildings, or other impervious surfaces. None of the soils types are reported to be hydric or highly erodible.

Review of construction plans for the proposed Moat Entry Flood Control Walls indicates excavated soils from the property will be re-used on-site or disposed off-site in accordance with Federal, State, and local regulations.

### ***Groundwater Aquifers***

According to the EPA's listing of sole source aquifers, the site is not underlain by a sole source aquifer. Therefore, it is anticipated that there will be no impact to groundwater quality or sole source aquifers as a result of the development of the flood control gates.

### ***Traffic Control***

The proposed Moat Entry Flood Control Walls will be located along the east and west sides of the National Archives facility, which is directly adjoining 7<sup>th</sup> and 9<sup>th</sup> Streets. 7<sup>th</sup> and 9<sup>th</sup> Streets are four-lane roads, which service the local community. The development of the Moat Entry Flood Control Walls is not anticipated to significantly impact the local traffic patterns, or necessitate a change in traffic control measures in the area.

### ***Noise Levels***

The National Archives facility is not located in a residential area. Current noise levels in the area appear to be attributed to roadway traffic as a result of the north adjoining Pennsylvania Avenue (8-lane road), east adjoining 7<sup>th</sup> Street (4-lane road), south adjoining Constitution Avenue (8-lane road) and west adjoining 9<sup>th</sup> Street (4-lane road). No manufacturing or industrial facilities or major highways are located on or adjacent to the subject site. Surrounding properties included Pennsylvania Avenue followed by the Navy Memorial and Market Square office buildings to the north; 7<sup>th</sup> Street N.W. followed by the Federal Trade Commission Building to the east; Constitution Avenue followed by the National Gallery of Art & Sculpture Gardens to south and 9<sup>th</sup> Street N.W. followed by the Department of Justice federal building. Construction activities and usage of the entrances will be limited to daytime hours and will be consistent with the usage of adjoining properties. Elevated noise levels as a result of the construction and usage of the entrances are not considered to be a significant concern for the local community.

### ***Ambient Air Quality***

The Clean Air Act required the Environmental Protection Agency (EPA) to establish National Ambient Air Quality Standards for pollutants considered harmful to public health. These standards have been established for six principal pollutants, including carbon monoxide, nitrogen dioxide, ozone, lead, particulate, and sulfur dioxide. No stationary sources of these pollutants will be located at the proposed Moat Entry Flood Control Walls. However, construction containment measures, including wet methods, will be used during the development of the Moat Entry Flood Control Walls to limit the particulate released to the air and air quality impacts as a result of the development of the Moat Entry Flood Control Walls are not considered to be significant or a concern for the local community.

### ***Socioeconomic Considerations***

As noted previously, the National Archives facility is not located in a residential setting. No impacts to public drinking water or wastewater services are anticipated, as no such services will be needed for the Moat Entry Flood Control Walls. Electrical services will be provided to the site in order to operate on-site lighting, security cameras, and automatic access gates. However, electrical services at the site will connect to the

NARA facility. The addition of these services to the site is not anticipated to overload the local power system. Public transportation is available in various locations surrounding the subject property in the form of public bus and metro rail. Therefore, no socioeconomic issues are considered to be a concern with regard to the construction of the Moat Entry Flood Control Walls.

***Public Comment***

Public notice submission for this undertaking in accordance with the National Environmental Policy Act of 1969 (NEPA) and Council of Environmental Quality (CEQ) regulations for implementation of NEPA (40 CFR Parts 1500 – 1508) will be handled by others.

## 2.3 ALTERNATIVES CONSIDERED

Due to the poor drainage and flooding issues at the National Archives facility, NARA proposes to develop Moat Entry Flood Control Walls within the 7<sup>th</sup> and 9<sup>th</sup> Street entrances. The alternative to this proposed action is “no action”, leaving the entrances in their current configuration.

It is reported that the current moat area floods during heavy rain events. In 2006, during a heavy rainfall the current moat area was flooded with city storm water and was identified to have inadequate drainage. The “no action” alternative would not alleviate the flooding. This alternative will not remedy the problems, but would simply defer them to the future and allow problems to accumulate and perhaps increase in severity. The presence of standing water presents safety hazards to National Archives occupants, especially those who occupy the basement office spaces located within close proximity of the 7<sup>th</sup> and 9<sup>th</sup> Street entrances, as well as pedestrians in the area. Standing water also causes deterioration of the building. Most of the major electrical and mechanical systems for the building are located in the lower levels of the building, flooding of the lower levels makes the building unusable until systems are restored which could be extended period of time. In addition, if the HVAC systems and electrical systems are out of operation, there is no way to condition the space within the building which puts most of the holding (extremely valuable archival holdings) at risk of damage due to moisture and mold. Based on these concerns for public health and safety, the no action alternative is not considered a desired option.

### **3.0 ASSESSMENT OF POTENTIAL IMPACTS**

In accordance with 40 CFR, Parts 1500 through 1508, assessment of potential environmental impacts is provided below. Included in this section is a statement as to whether each one of these items is applicable and if so, a discussion of the potential environmental effects is included.

#### **3.1 WILDERNESS AREA RECORDS REVIEW**

Review of the USGS 7.5-minute quadrangle map titled “Alexandria, VA-DC-MD-” dated 1994, indicated no officially designated wilderness areas located within on or adjacent to the subject site. A copy of a portion of the topographic map is included as Figure 1 of this report. According to the National Wilderness Preserve web page, <http://www.wilderness.net/nwps/map.cfm>, reviewed on January 5, 2009, no designated wilderness preserves are located in the District of Columbia. PSI also obtained a NEPA Report from Environmental Data Resources, Inc. (EDR), which indicates no officially designated wilderness areas are located within one mile of the subject site. Based on this information, PSI concludes the subject site is not located in an officially designated wilderness area.

#### **3.2 WILDLIFE PRESERVE RECORDS REVIEW**

Review of the USGS 7.5-minute quadrangle map titled “Alexandria, VA-DC-MD” dated 1994 showed that there are no officially designated wildlife preserves located within one mile of the subject site. A copy of a portion of the maps is included as Figure 1 of this report. According to the United States Fish and Wildlife webpage, <http://refuges.fws.gov>, reviewed on January 5, 2009, no designated wildlife refuges are located within one mile of the subject site. According to the NEPA Report obtained from EDR, no officially designated wildlife preserves are located within one mile of the subject site. Based on this information, PSI concludes the subject site is not located in an officially designated wildlife preserve.

#### **3.3 THREATENED OR ENDANGERED SPECIES RECORDS REVIEW**

PSI conducted an Endangered Species Screening through review of an Environmental Data Resources (EDR) NEPA Check Report and an inquiry to the Chesapeake Bay Field Office of the U.S. Fish and Wildlife Service. According to the U.S. Fish and Wildlife Service webpage <http://www.fws.gov>, reviewed on January 5, 2009, the Hay’s Spring Amphipod is the only Federal Listed Endangered and Threatened Species located for the District of Columbia. This crustacean is only known from Hay’s Spring, on the grounds of the National Zoological Park in Washington, DC.

PSI obtained a NEPA report from EDR, which indicated no threatened or endangered species critical habitat areas were identified within one mile of the subject site. Therefore, based on review of the above documentation, PSI concludes no threatened or endangered species will likely be impacted by the development of the Moat Entry Flood Control Walls.

#### **3.4 HISTORIC BUILDINGS OR STRUCTURES RECORDS REVIEW**



According to the National Register Information System (NRIS) web site, [www.cr.nps.gov/nr/research/nris.htm](http://www.cr.nps.gov/nr/research/nris.htm), the subject property is listed on the National Registry of Historic Places (NRHP). The NEPA report obtained from EDR indicates the National Archives facility is listed as a Historic Property.

PSI was provided a letter from the DC State Historic Preservation Office (DC SHPO) from the client in regards to the impact of the proposed Moat Entry Flood Control Walls. The DC SHPO found that the proposed flood control measures would have “no adverse effect” upon the National Archives Building. The DC SHPO issued these findings in a letter dated August 15, 2008 to NARA.

### **3.5 NATIVE AMERICAN RELIGIOUS SITES RECORDS REVIEW**

According to the National Park Service, no Tribal Preservation Offices or known Native American religious sites are located within the District of Columbia. Therefore, based on the development of the Moat Entry Flood Control Walls are not considered to have a significant impact on Native American religious sites.

### **3.6 FLOOD PLAIN RECORDS REVIEW**

Review of the NEPA report obtained from EDR, indicates that wetlands and floodplains are not located at or surrounding the subject property. No surface water bodies are currently identified on the subject site and/or adjoining properties. Therefore, the development of the Moat Entry Flood Control Walls is in an area outside the 100-year floodplain and is not considered to have a significant impact on local floodplains.

### **3.7 SIGNIFICANT CHANGE IN SURFACE FEATURES**

The proposed construction site is currently developed as the National Archives, Washington, DC facility. The proposed construction site is fully developed, with concrete cover. According to the National Wetlands Inventory (NWI) Map of the “Washington East, DC-MD-VA” quadrangle, the subject site is not listed as a wetland area. The soils identified at the subject site during a field survey of endangered and threatened species are not listed as hydric soils. No indications of wetlands at the subject site were identified during PSI’s site reconnaissance of the subject site. Therefore, the development of the proposed flood control gates is not considered to have a significant impact on wetlands at the property or in the site vicinity.

## 4.0 ENVIRONMENTAL CONSEQUENCES

No potential adverse environmental effects were identified during the environmental investigations conducted for this site.



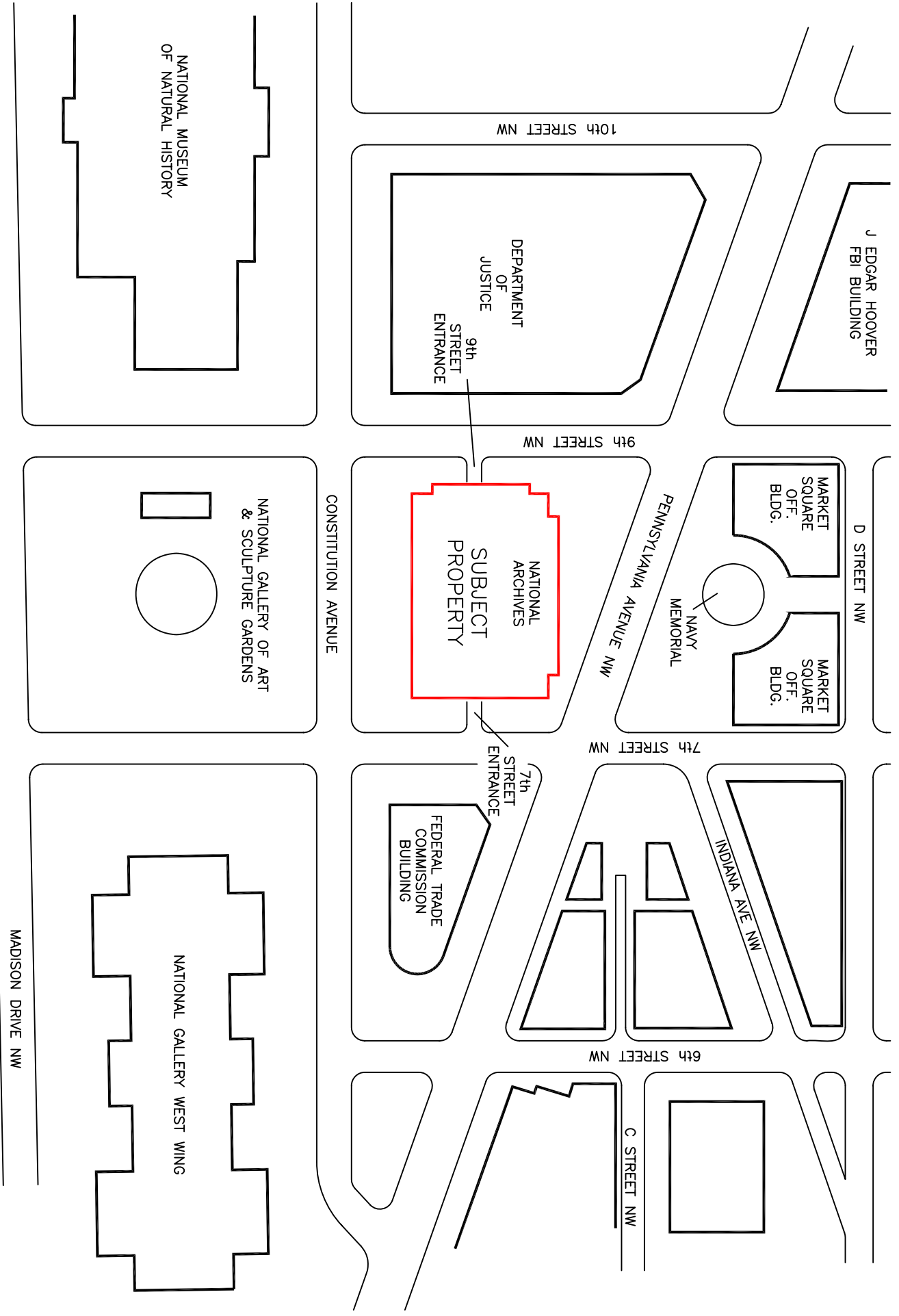
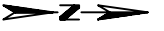
## 5.0 SUMMARY AND RECOMMENDATIONS

This Environmental Assessment was prepared to explain the environmental consequences of the construction of the proposed flood control walls on the subject site for the National Archives and Records Administration to reach a determination that the proposed activity will or will not have a significant environmental effect.

No potential adverse environmental effects were identified during the environmental investigations conducted for this site. Therefore, PSI recommends a “Finding of No Significant Impact” (FONSI) be prepared for the proposed action.



## 6.0 FIGURES



J EDGAR HOOVER  
FBI BUILDING

10th STREET NW

DEPARTMENT  
OF  
JUSTICE  
9th  
STREET  
ENTRANCE

NATIONAL MUSEUM  
OF NATURAL HISTORY

9th STREET NW

NATIONAL  
ARCHIVES  
SUBJECT  
PROPERTY

CONSTITUTION AVENUE

NATIONAL GALLERY OF ART  
& SCULPTURE GARDENS

D STREET NW

MARKET  
SQUARE  
OFF.  
BLDG.

NAVY  
MEMORIAL

MARKET  
SQUARE  
OFF.  
BLDG.

PENNSYLVANIA AVENUE NW

7th STREET NW

7th  
STREET  
ENTRANCE

FEDERAL TRADE  
COMMISSION  
BUILDING

INDIANA AVE NW

6th STREET NW

C STREET NW

NATIONAL GALLERY WEST WING

MADISON DRIVE NW

## **7.0 APPENDICIES**

**APPENDIX A**  
**SITE PHOTOGRAPHS**



1. View of the Main Entrance into the National Archives facility from Constitution Avenue.



2. View of Constitution Avenue, looking east.





3. View of Constitution Avenue, looking west.



4. View of 7<sup>th</sup> Street and Constitution Avenue intersection.





5. View of 7<sup>th</sup> Street, looking north towards Pennsylvania Avenue.



6. View of the current moat area of the 7<sup>th</sup> Street entrance into the National Archives.





7. View of the northern portion of the 7<sup>th</sup> Street entrance moat area.



8. View of the southern portion of the 7<sup>th</sup> Street entrance moat area.





9. View of the 7<sup>th</sup> Street entrance, looking from the north exterior landscaped area.



10. View of a stormwater drain, located on 7<sup>th</sup> Street, approximately 25 feet from the 7<sup>th</sup> Street entrance.





11. View of a Washington Gas line, located approximately 30 feet north of the 7<sup>th</sup> Street entrance.



12. View of a Metro Bus UUPPbus stop, located approximately 50 feet north of the 7<sup>th</sup> Street entrance.





13. View of the 9<sup>th</sup> Street entrance, looking from 9<sup>th</sup> Street.



14. View of 9<sup>th</sup> Street, looking south towards Constitution Avenue.





15. View of 9<sup>th</sup> Street, looking north towards Pennsylvania Avenue.



16. View of a stormwater drain, located approximately 15 feet north of the 9<sup>th</sup> Street entrance.





17. View of the north portion of the 9<sup>th</sup> Street entrance.



18. View of the southern portion of the 9<sup>th</sup> Street entrance.

## **APPENDIX B**

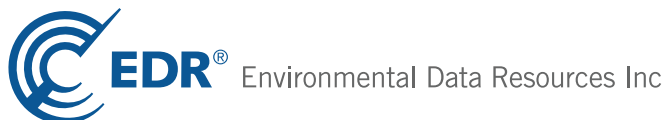
### **NEPA REPORT and ENVIRONMENTAL DATABASE REPORT**

**National Archives**

700 Pennsylvania Avenue, N.W.  
Washington, DC 20004

Inquiry Number: 2381455.1s  
December 11, 2008

**EDR NEPACheck®**



440 Wheelers Farms Road  
Milford, CT 06461  
Toll Free: 800.352.0050  
[www.edrnet.com](http://www.edrnet.com)

# TABLE OF CONTENTS

<b><u>SECTION</u></b>	<b><u>PAGE</u></b>
<b>EDR NEPACheck® Description.....</b>	<b>1</b>
<b>Map Findings Summary.....</b>	<b>2</b>
<b>Natural Areas.....</b>	<b>3</b>
<b>Historic Sites.....</b>	<b>5</b>
<b>Flood Plain.....</b>	<b>66</b>
<b>Wetlands.....</b>	<b>68</b>
<b>Wetlands Classification System.....</b>	<b>70</b>
<b>FCC &amp; FAA Sites.....</b>	<b>74</b>
<b>Key Contacts and Government Records Searched.....</b>	<b>107</b>

***Thank you for your business.***  
Please contact EDR at 1-800-352-0050  
with any questions or comments.

#### **Disclaimer - Copyright and Trademark Notice**

This Report contains certain information obtained from a variety of public and other sources reasonably available to Environmental Data Resources, Inc. It cannot be concluded from this Report that coverage information for the target and surrounding properties does not exist from other sources. **NO WARRANTY EXPRESSED OR IMPLIED, IS MADE WHATSOEVER IN CONNECTION WITH THIS REPORT. ENVIRONMENTAL DATA RESOURCES, INC. SPECIFICALLY DISCLAIMS THE MAKING OF ANY SUCH WARRANTIES, INCLUDING WITHOUT LIMITATION, MERCHANTABILITY OR FITNESS FOR A PARTICULAR USE OR PURPOSE. ALL RISK IS ASSUMED BY THE USER. IN NO EVENT SHALL ENVIRONMENTAL DATA RESOURCES, INC. BE LIABLE TO ANYONE, WHETHER ARISING OUT OF ERRORS OR OMISSIONS, NEGLIGENCE, ACCIDENT OR ANY OTHER CAUSE, FOR ANY LOSS OF DAMAGE, INCLUDING, WITHOUT LIMITATION, SPECIAL, INCIDENTAL, CONSEQUENTIAL, OR EXEMPLARY DAMAGES. ANY LIABILITY ON THE PART OF ENVIRONMENTAL DATA RESOURCES, INC. IS STRICTLY LIMITED TO A REFUND OF THE AMOUNT PAID FOR THIS REPORT.** Purchaser accepts this Report "AS IS". Any analyses, estimates, ratings, environmental risk levels or risk codes provided in this Report are provided for illustrative purposes only, and are not intended to provide, nor should they be interpreted as providing any facts regarding, or prediction or forecast of, any environmental risk for any property. Only a Phase I Environmental Site Assessment performed by an environmental professional can provide information regarding the environmental risk for any property. Additionally, the information provided in this Report is not to be construed as legal advice.

Copyright 2008 by Environmental Data Resources, Inc. All rights reserved. Reproduction in any media or format, in whole or in part, of any report or map of Environmental Data Resources, Inc., or its affiliates, is prohibited without prior written permission.

EDR and its logos (including Sanborn and Sanborn Map) are trademarks of Environmental Data Resources, Inc. or its affiliates. All other trademarks used herein are the property of their respective owners.



# EDR NEPACheck® DESCRIPTION

The National Environmental Policy Act of 1969 (NEPA) requires that Federal agencies include in their decision-making processes appropriate and careful consideration of all environmental effects and actions, analyze potential environmental effects of proposed actions and their alternatives for public understanding and scrutiny, avoid or minimize adverse effects of proposed actions, and restore and enhance environmental quality as much as possible.

The EDR NEPACheck provides information which may be used, in conjunction with additional research, to determine whether a proposed site or action will have significant environmental effect.

The report provides maps and data for the following items (where available). Search results are provided in the Map Findings Summary on page 2 of this report.

## Section

### Natural Areas Map

- Federal Lands Data:

- Officially designated wilderness areas
- Officially designated wildlife preserves, sanctuaries and refuges
- Wild and scenic rivers
- Fish and Wildlife

- Threatened or Endangered Species, Fish and Wildlife, Critical Habitat Data (where available)

## Regulation

47 CFR 1.1307(1)

47 CFR 1.1307(2)

40 CFR 6.302(e)

40 CFR 6.302

47 CFR 1.1307(3); 40 CFR 6.302

### Historic Sites Map

- National Register of Historic Places
- State Historic Places (where available)
- Indian Reservations

47 CFR 1.1307(4); 40 CFR 6.302

### Flood Plain Map

- National Flood Plain Data (where available)

47 CFR 1.1307(6); 40 CFR 6.302

### Wetlands Map

- National Wetlands Inventory Data (where available)

47 CFR 1.1307(7); 40 CFR 6.302

### FCC & FAA Map

- FCC antenna/tower sites, AM Radio Towers, FAA Markings and Obstructions, AM Radio Interference Zones, Airports, Topographic gradient

47 CFR 1.1307(8)

## Key Contacts and Government Records Searched

# MAP FINDINGS SUMMARY

The databases searched in this report are listed below. Database descriptions and other agency contact information is contained in the Key Contacts and Government Records Searched section on page 107 of this report.

## TARGET PROPERTY ADDRESS

NATIONAL ARCHIVES  
700 PENNSYLVANIA AVENUE, N.W.  
WASHINGTON, DC 20004

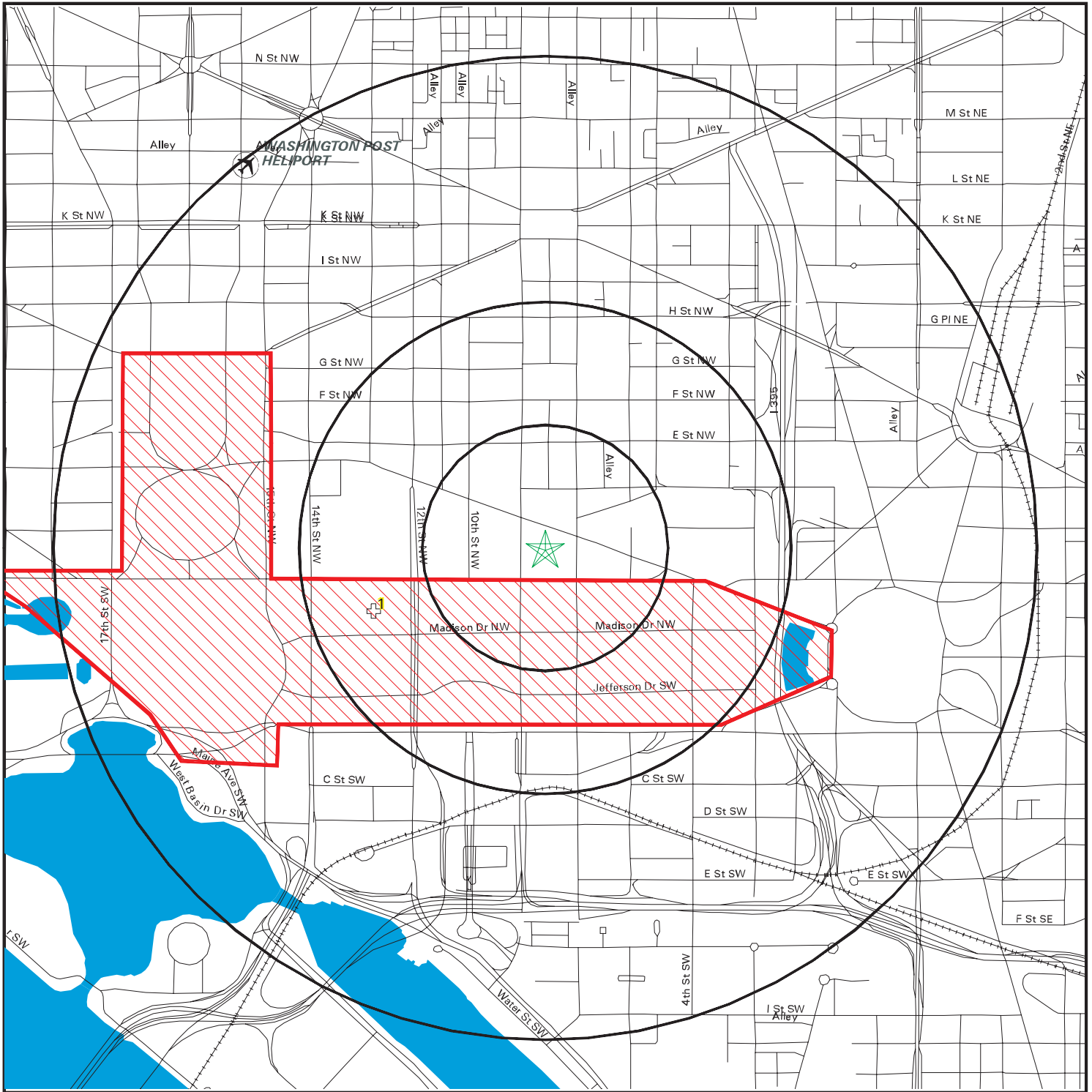
Inquiry #: 2381455.1s  
Date: 12/11/8

## TARGET PROPERTY COORDINATES

Latitude (North): 38.893002 - 38° 53' 34.8"  
Longitude (West): 77.023117 - 77° 1' 23.2"  
Universal Tranverse Mercator: Zone 18  
UTM X (Meters): 324538.7  
UTM Y (Meters): 4306640.5

Applicable Regulation from 47 CFR/FCC Checklist	Database	Search Distance (Miles)	Within Search	Within 1/8 Mile
<b><u>NATURAL AREAS MAP</u></b>				
1.1307a (1) Officially Designated Wilderness Area	US Federal Lands	1.00	YES	YES
1.1307a (2) Officially Designated Wildlife Preserve	US Federal Lands	1.00	YES	YES
<b><u>HISTORIC SITES MAP</u></b>				
1.1307a (4) Listed or eligible for National Register	National Register Hist. Places	1.00	YES	YES
	Indian Reservation	1.00	NO	NO
<b><u>FLOODPLAIN MAP</u></b>				
1.1307 (6) Located in a Flood Plain	FLOODPLAIN	1.00	YES	NO
<b><u>WETLANDS MAP</u></b>				
1.1307 (7) Change in surface features (wetland fill)	NWI	1.00	YES	NO
<b><u>FCC &amp; FAA SITES MAP</u></b>				
	FCC Cellular	1.00	YES	NO
	FCC Antenna	1.00	YES	NO
	FCC Tower	1.00	YES	NO
	FCC AM Tower	1.00	NO	NO
	FAA DOF	1.00	YES	NO
	Airports	1.00	YES	YES
	Power Lines	1.00	YES	YES

# Natural Areas Map



- ★ Target Property
- ⊕ Locations
- ⚡ Roads
- ▨ Federal Areas
- ⚡ County Boundary
- ⚡ Federal Linear Features
- ⚡ Waterways
- ⚡ State Areas
- 🌊 Water
- ⚡ State Linear Features
- ✈ Airports



SITE NAME: National Archives  
 ADDRESS: 700 Pennsylvania Avenue, N.W.  
 Washington DC 20004  
 LAT/LONG: 38.8930 / 77.0231

CLIENT: PSI, Inc.  
 CONTACT: William Thomas  
 INQUIRY #: 2381455.1s  
 DATE: December 11, 2008

# NATURAL AREAS MAP FINDINGS

Map ID  
Direction  
Distance  
Distance (ft.)

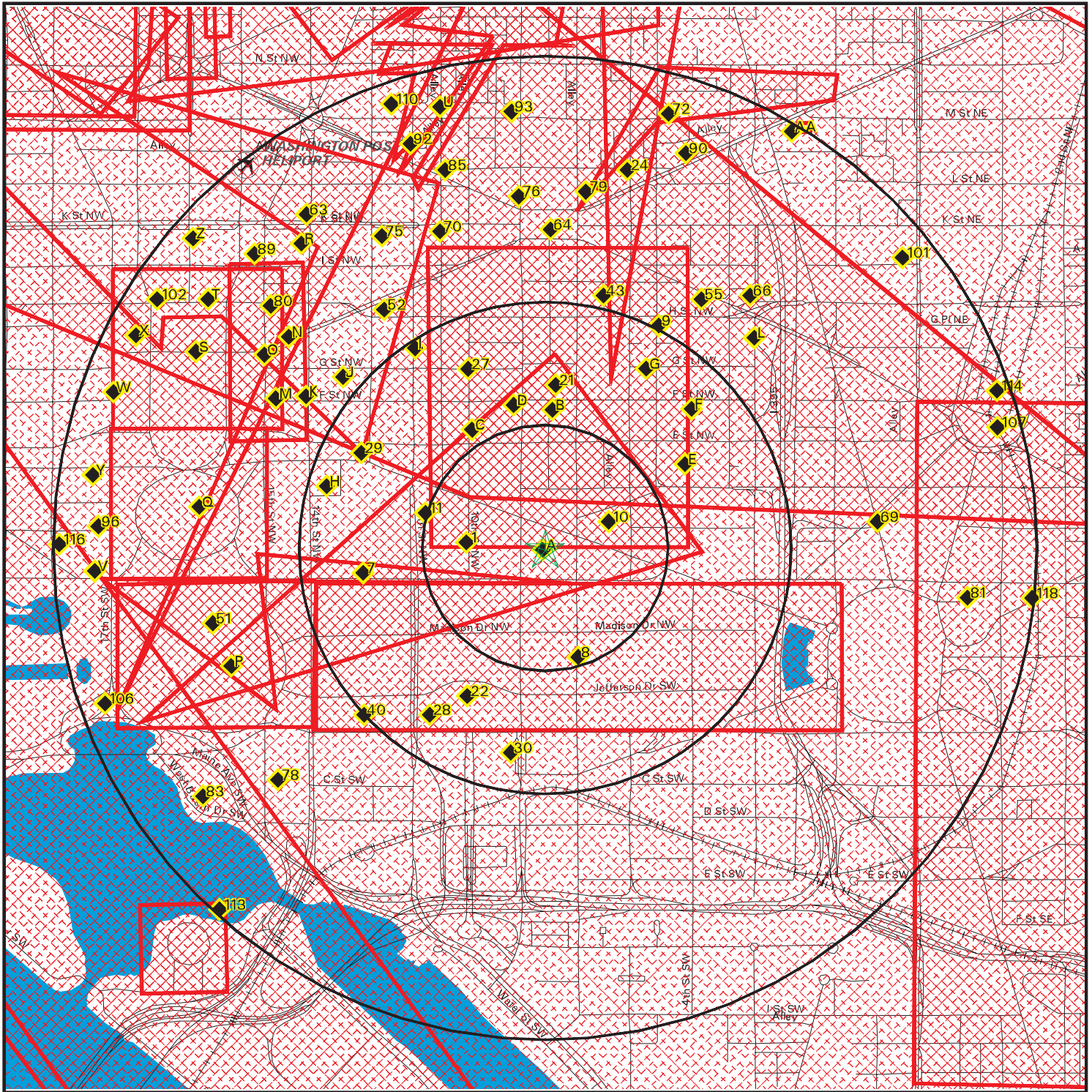
EDR ID  
Database

1  
South  
0-1/8 mi  
347

Feature1: National Mall NPS  
Feature2: Not Reported  
Feature3: Not Reported  
Agbur: National Park Service.  
Url: <http://www.nps.gov/nama>  
Name1: National Mall  
Name2: Not Reported  
Name3: Not Reported  
State: DC  
State fips: 11

CUSA133873  
US Federal Lands

# Historic Sites Map



- ★ Target Property
- ◆ Historic Sites
- Streets
- Federal Historic Areas
- County Boundary
- State Historic Areas
- Waterways
- Water
- US Indian Reservations
- Scenic Trail
- Airports



**SITE NAME:** National Archives  
**ADDRESS:** 700 Pennsylvania Avenue, N.W.  
 Washington DC 20004  
**LAT/LONG:** 38.8930 / 77.0231

**CLIENT:** PSI, Inc.  
**CONTACT:** William Thomas  
**INQUIRY #:** 2381455.1s  
**DATE:** December 11, 2008



# HISTORIC SITES MAP FINDINGS

Map ID  
 Direction  
 Distance  
 Distance (ft.)

EDR ID  
 Database

1 North 0-1/8 mi 0	Resource Name: Pennsylvania Avenue National Historic Site Alternate Name: Not Reported Resource Address: Pennsylvania Ave. from Capitol Hill to the White House Resource Type: District Location: Washington, DC County: District of Columbia, DC Primary Certification: Listed in the national register Certification Date: 19661015      Acreage: 100 Number of Buildings: 8      Number of Objects: 0 Number of Sites: 0      Num. of Structures: 1 Number of non-contributing Buildings: 0 Number of non-contributing Objects: 0 Number of non-contributing Sites: 0 Num. of non-contributing Structures: 0 Applicable Criteria: Event, Architecture/Engineering Areas of Significance: Architecture, Social history Current Function: Landscape, Transportation Building Material: Stone, Marble, None listed, Brick, Granite, Limestone	66000865 National Register Hist. Places
-----------------------------	--	--

A2 North 0-1/8 mi 0	Resource Name: Civil War Fort Sites Alternate Name: Not Reported Resource Address: Civil War Forts from Battery Kemble, NW to Fort Gremble, SW Resource Type: District Location: Washington, DC County: District of Columbia, DC Primary Certification: Listed in the national register Certification Date: 19740715      Acreage: 607 Number of Buildings: 0      Number of Objects: 0 Number of Sites: 17      Num. of Structures: 0 Number of non-contributing Buildings: 0 Number of non-contributing Objects: 0 Number of non-contributing Sites: 0 Num. of non-contributing Structures: 0 Applicable Criteria: Event Areas of Significance: Military Current Function: Landscape Building Material: Inapplicable, None listed, Concrete, Wood Other Names: See Also: Civil War Fort Sites (Boundary Increase)	74000274 National Register Hist. Places
------------------------------	---	--

# HISTORIC SITES MAP FINDINGS

Map ID Direction Distance Distance (ft.)		EDR ID Database
A3 North 0-1/8 mi  0	<p>Resource Name: L'Enfant Plan of the City of Washington, District of Columbia</p> <p>Alternate Name: Not Reported</p> <p>Resource Address: Roughly bounded by Florida Ave. from Rock Cr., NW. to 15th St., NE., S to C St., and E to the Anacostia River</p> <p>Resource Type: Structure</p> <p>Location: Washington, DC</p> <p>County: District of Columbia, DC</p> <p>Primary Certification: Listed in the national register</p> <p>Certification Date: 19970424      Acreage: 35000</p> <p>Number of Buildings: 33      Number of Objects: 69</p> <p>Number of Sites: 27      Num. of Structures: 8</p> <p>Number of non-contributing Buildings: 21</p> <p>Number of non-contributing Objects: 36</p> <p>Number of non-contributing Sites: 13</p> <p>Num. of non-contributing Structures: 15</p> <p>Applicable Criteria: Event, Person, Architecture/Engineering</p> <p>Areas of Significance: Community planning and development, Landscape architecture, Politics/government, Transportation</p> <p>Current Function: Landscape, Transportation, Recreation and culture</p> <p>Building Material: None listed, Wood, Metal</p>	<p>97000332</p> <p>National Register Hist. Places</p>
B4 North 0-1/8 mi  8	<p>Resource Name: Downtown Historic District</p> <p>Alternate Name: Not Reported</p> <p>Resource Address: Roughly, Seventh St. from Pennsylvania Ave. to Mt. Vernon Sq., and F St. between Eleventh and Seventh Sts., NW</p> <p>Resource Type: District</p> <p>Location: Washington, DC</p> <p>County: District of Columbia, DC</p> <p>Primary Certification: Determined eligible/owner objection</p> <p>Certification Date: 19841018      Acreage: 500</p> <p>Number of Buildings: 195      Number of Objects: 0</p> <p>Number of Sites: 0      Num. of Structures: 0</p> <p>Number of non-contributing Buildings: 15</p> <p>Number of non-contributing Objects: 0</p> <p>Number of non-contributing Sites: 0</p> <p>Num. of non-contributing Structures: 0</p> <p>Applicable Criteria: Event, Architecture/Engineering</p> <p>Areas of Significance: Commerce, Asian, European, Architecture, Social history, Religion</p> <p>Current Function: Domestic, Commerce/trade, Religion</p> <p>Building Material: Stone, Terra cotta, None listed, Brick</p>	<p>84003901</p> <p>National Register Hist. Places</p>

# HISTORIC SITES MAP FINDINGS

Map ID  
Direction  
Distance  
Distance (ft.)

EDR ID  
Database

<p>A5 SSE 0-1/8 mi 127</p>	<p>Resource Name: National Archives Alternate Name: Not Reported Resource Address: Constitution Ave. between 7th and 9th Sts., NW. Resource Type: Building Location: Washington, DC County: District of Columbia, DC Primary Certification: Listed in the national register Certification Date: 19710527      Acreage: 10 Number of Buildings: 1      Number of Objects: 0 Number of Sites: 0      Num. of Structures: 0 Number of non-contributing Buildings: 0 Number of non-contributing Objects: 0 Number of non-contributing Sites: 0 Num. of non-contributing Structures: 0 Applicable Criteria: Architecture/Engineering Areas of Significance: Architecture Current Function: Education, Government Building Material: None listed, Granite, Steel, Limestone</p>	<p>71001004 National Register Hist. Places</p>
--	---	--

<p>A6 WNW 0-1/8 mi 137</p>	<p>Resource Name: Franklin Delano Roosevelt Memorial Alternate Name: Not Reported Resource Address: Cherry Tree Walk, Tidal Basin Resource Type: Not Reported Location: Washington DC, DC County: District of Columbia, DC Primary Certification: Listed in the national register Certification Date: 19970502      Acreage: Not Reported Number of Buildings: Not Reported      Number of Objects: Not Reported Number of Sites: Not Reported      Num. of Structures: Not Reported Number of non-contributing Buildings: Not Reported Number of non-contributing Objects: Not Reported Number of non-contributing Sites: Not Reported Num. of non-contributing Structures: Not Reported Applicable Criteria: Not Reported Areas of Significance: Not Reported Current Function: Not Reported Building Material: Not Reported</p>	<p>01000271 National Register Hist. Places</p>
--	--	--



# HISTORIC SITES MAP FINDINGS

Map ID  
 Direction  
 Distance  
 Distance (ft.)

EDR ID  
 Database

7	Resource Name:	U.S. Capitol Gatehouses And Gateposts	
South	Alternate Name:	Not Reported	73002120
0-1/8 mi	Resource Address:	7th, 15th, and 17th Sts., and Constitution Ave., NW.	National Register Hist. Places
354	Resource Type:	Structure	
	Location:	Washington, DC	
	County:	District of Columbia, DC	
	Primary Certification:	Listed in the national register	
	Certification Date:	19731130	Acreage: 54
	Number of Buildings:	2	Number of Objects: 0
	Number of Sites:	0	Num. of Structures: 4
	Number of non-contributing Buildings:	0	
	Number of non-contributing Objects:	0	
	Number of non-contributing Sites:	0	
	Num. of non-contributing Structures:	0	
	Applicable Criteria:	Architecture/Engineering	
	Areas of Significance:	Architecture	
	Current Function:	Recreation and culture, Landscape	
	Building Material:	Brick, None listed, Concrete, Sandstone	
	Other Names:	Bulfinch Gatehouses and Gateposts	

8	Resource Name:	National Mall	
South	Alternate Name:	Not Reported	66000031
0-1/8 mi	Resource Address:	Between Independence and Constitution Aves. from the U.S. Capitol to the Washington Monument	National Register Hist. Places
382	Resource Type:	Site	
	Location:	Washington, DC	
	County:	District of Columbia, DC	
	Primary Certification:	Listed in the national register	
	Certification Date:	19661015	Acreage: 1463
	Number of Buildings:	0	Number of Objects: 3
	Number of Sites:	1	Num. of Structures: 0
	Number of non-contributing Buildings:	0	
	Number of non-contributing Objects:	0	
	Number of non-contributing Sites:	0	
	Num. of non-contributing Structures:	0	
	Applicable Criteria:	Architecture/Engineering	
	Areas of Significance:	Landscape architecture	
	Current Function:	Recreation and culture, Landscape	
	Building Material:	Marble, None listed, Granite, Bronze	
	Other Names:	See Also:Civil War Monuments in Washington D.C. TR	

# HISTORIC SITES MAP FINDINGS

Map ID  
 Direction  
 Distance  
 Distance (ft.)

EDR ID  
 Database

9 North 0-1/8 mi 509	Resource Name: American Revolution Statuary Alternate Name: Not Reported Resource Address: Public buildings and various parks within DC Resource Type: Object Location: Washington, DC County: District of Columbia, DC Primary Certification: Listed in the national register Certification Date: 19780714      Acreage: 9 Number of Buildings: 0      Number of Objects: 14 Number of Sites: 0      Num. of Structures: 0 Number of non-contributing Buildings: 0 Number of non-contributing Objects: 0 Number of non-contributing Sites: 0 Num. of non-contributing Structures: 0 Applicable Criteria: Event, Person Areas of Significance: Military, Politics/government Current Function: Recreation and culture, Landscape Building Material: Marble, None listed, Bronze Other Names: Monumental Statuary Commemorating the American Revolution	78000256 National Register Hist. Places
-------------------------------	--	--

10 ENE 1/8-1/4 mi 740	Resource Name: National Bank of Washington, Washington Branch Alternate Name: Not Reported Resource Address: 301 7th St., N.W. Resource Type: Building Location: Washington, DC County: District of Columbia, DC Primary Certification: Listed in the national register Certification Date: 19740508      Acreage: 2 Number of Buildings: 1      Number of Objects: 0 Number of Sites: 0      Num. of Structures: 0 Number of non-contributing Buildings: 0 Number of non-contributing Objects: 0 Number of non-contributing Sites: 0 Num. of non-contributing Structures: 0 Applicable Criteria: Event, Architecture/Engineering Areas of Significance: Commerce, Architecture Current Function: Commerce/trade Building Material: Marble, Concrete, Slate, Metal, Granite, Iron	74002169 National Register Hist. Places
--------------------------------	--	--

# HISTORIC SITES MAP FINDINGS

Map ID  
 Direction  
 Distance  
 Distance (ft.)

EDR ID  
 Database

<p>11          WNW          1/4-1/2 mi          1338</p>	<p>Resource Name: Old Post Office and Clock Tower          Alternate Name: Not Reported          Resource Address: Pennsylvania Ave. at 12th St., NW.          Resource Type: Building          Location: Washington, DC          County: District of Columbia, DC          Primary Certification: Listed in the national register          Certification Date: 19730411      Acreage: 14          Number of Buildings: 1      Number of Objects: 0          Number of Sites: 0      Num. of Structures: 0          Number of non-contributing Buildings: 0          Number of non-contributing Objects: 0          Number of non-contributing Sites: 0          Num. of non-contributing Structures: 0          Applicable Criteria: Event, Architecture/Engineering          Areas of Significance: Architecture, Social history          Current Function: Government          Building Material: Stone, None listed, Slate, Granite</p>	<p>73002105          National Register Hist. Places</p>
--	---	---

<p>B12          North          1/4-1/2 mi          1359</p>	<p>Resource Name: General Post Office          Alternate Name: Not Reported          Resource Address: E and F Sts. between 7th and 8th Sts., NW          Resource Type: Building          Location: Washington, DC          County: District of Columbia, DC          Primary Certification: Listed in the national register          Certification Date: 19690324      Acreage: 15          Number of Buildings: 1      Number of Objects: 0          Number of Sites: 0      Num. of Structures: 0          Number of non-contributing Buildings: 0          Number of non-contributing Objects: 0          Number of non-contributing Sites: 0          Num. of non-contributing Structures: 0          Applicable Criteria: Event, Architecture/Engineering          Areas of Significance: Architecture, Politics/government          Current Function: Government          Building Material: Marble, None listed          Other Names: Tariff Commission Building</p>	<p>69000311          National Register Hist. Places</p>
---	---	---

# HISTORIC SITES MAP FINDINGS

Map ID  
 Direction  
 Distance  
 Distance (ft.)

EDR ID  
 Database

C13 NNW 1/4-1/2 mi 1460	Resource Name: Ford's Theatre National Historic Site Alternate Name: Not Reported Resource Address: 10th St., NW., between E and F Sts. Resource Type: Building Location: Washington, DC County: District of Columbia, DC Primary Certification: Listed in the national register Certification Date: 19661015      Acreage: 9 Number of Buildings: 2      Number of Objects: 0 Number of Sites: 0      Num. of Structures: 0 Number of non-contributing Buildings: 0 Number of non-contributing Objects: 0 Number of non-contributing Sites: 0 Num. of non-contributing Structures: 0 Applicable Criteria: Person Areas of Significance: Politics/government, Performing arts Current Function: Recreation and culture, Landscape Building Material: None listed, Brick, Slate, Wood, Iron Other Names: Ford's Theatre and the Petersen House where Lincoln Died	66000034 National Register Hist. Places
----------------------------------	--	--

B14 North 1/4-1/2 mi 1491	Resource Name: Eight Hundred Block of F St. NW Alternate Name: Not Reported Resource Address: 800--818 F St. and 527 9th St., NW. Resource Type: Building Location: Washington, DC County: District of Columbia, DC Primary Certification: Listed in the national register Certification Date: 19740402      Acreage: 5 Number of Buildings: 5      Number of Objects: 0 Number of Sites: 0      Num. of Structures: 0 Number of non-contributing Buildings: 0 Number of non-contributing Objects: 0 Number of non-contributing Sites: 0 Num. of non-contributing Structures: 0 Applicable Criteria: Event, Architecture/Engineering Areas of Significance: Commerce, Architecture, Social history Current Function: Commerce/trade Building Material: Brick, None listed, Wood, Iron	74002159 National Register Hist. Places
------------------------------------	--	--

# HISTORIC SITES MAP FINDINGS

Map ID  
Direction  
Distance  
Distance (ft.)

EDR ID  
Database

D15 NNW 1/4-1/2 mi 1491	Resource Name: National Union Building Alternate Name: Not Reported Resource Address: 918 F St., NW Resource Type: Building Location: Washington, DC County: District of Columbia, DC Primary Certification: Listed in the national register Certification Date: 19900921      Acreage: 9 Number of Buildings: 1      Number of Objects: 0 Number of Sites: 0      Num. of Structures: 0 Number of non-contributing Buildings: 0 Number of non-contributing Objects: 0 Number of non-contributing Sites: 0 Num. of non-contributing Structures: 0 Applicable Criteria: Person, Architecture/Engineering Areas of Significance: Community planning and development, Architecture Current Function: Commerce/trade Building Material: Terra cotta, Concrete, Brick, Slate, Sandstone	90001375 National Register Hist. Places
----------------------------------	---	--

C16 NNW 1/4-1/2 mi 1524	Resource Name: Sun Building Alternate Name: Not Reported Resource Address: 1317 F St., NW Resource Type: Building Location: Washington, DC County: District of Columbia, DC Primary Certification: Listed in the national register Certification Date: 19850327      Acreage: 9 Number of Buildings: 1      Number of Objects: 0 Number of Sites: 0      Num. of Structures: 0 Number of non-contributing Buildings: 0 Number of non-contributing Objects: 0 Number of non-contributing Sites: 0 Num. of non-contributing Structures: 0 Applicable Criteria: Event, Architecture/Engineering Areas of Significance: Commerce, Engineering, Architecture Current Function: Commerce/trade Building Material: Marble, None listed, Slate, Copper Other Names: American Bank Building	85000650 National Register Hist. Places
----------------------------------	--	--

# HISTORIC SITES MAP FINDINGS

Map ID  
Direction  
Distance  
Distance (ft.)

EDR ID  
Database

D17 NNW 1/4-1/2 mi 1542	Resource Name: Riggs National Bank, Washington Loan And Trust Company Branch Alternate Name: Not Reported Resource Address: SW corner of 9th and F Sts., NW. Resource Type: Building Location: Washington, DC County: District of Columbia, DC Primary Certification: Listed in the national register Certification Date: 19710506      Acreage: 3 Number of Buildings: 1      Number of Objects: 0 Number of Sites: 0      Num. of Structures: 0 Number of non-contributing Buildings: 0 Number of non-contributing Objects: 0 Number of non-contributing Sites: 0 Num. of non-contributing Structures: 0 Applicable Criteria: Event, Architecture/Engineering Areas of Significance: Commerce, Architecture Current Function: Commerce/trade Building Material: None listed, Granite Other Names: Washington Loan and Trust	71001005 National Register Hist. Places
----------------------------------	---	--

D18 NNW 1/4-1/2 mi 1612	Resource Name: Equitable Co-operative Building Association Alternate Name: Banks and Financial Institutions MPS Resource Address: 915 F St., NW. Resource Type: Building Location: Washington, DC County: District of Columbia, DC Primary Certification: Listed in the national register Certification Date: 19941229      Acreage: 9 Number of Buildings: 1      Number of Objects: 0 Number of Sites: 0      Num. of Structures: 0 Number of non-contributing Buildings: 0 Number of non-contributing Objects: 0 Number of non-contributing Sites: 0 Num. of non-contributing Structures: 0 Applicable Criteria: Event, Architecture/Engineering Areas of Significance: Architecture, Commerce Current Function: Recreation and culture Building Material: Marble, Brick, None listed, Granite, Bronze	94001515 National Register Hist. Places
----------------------------------	--	--

# HISTORIC SITES MAP FINDINGS

Map ID  
 Direction  
 Distance  
 Distance (ft.)

EDR ID  
 Database

<p>D19          NNW          1/4-1/2 mi          1642</p>	<p>Resource Name: Lansburgh, Julius, Furniture Co., Inc.          Alternate Name: Not Reported          Resource Address: 909 F St., NW.          Resource Type: Building          Location: Washington, DC          County: District of Columbia, DC          Primary Certification: Listed in the national register          Certification Date: 19740508      Acreage: 2          Number of Buildings: 1      Number of Objects: 0          Number of Sites: 0      Num. of Structures: 0          Number of non-contributing Buildings: 0          Number of non-contributing Objects: 0          Number of non-contributing Sites: 0          Num. of non-contributing Structures: 0          Applicable Criteria: Event, Architecture/Engineering          Areas of Significance: Social history, Architecture          Current Function: Commerce/trade          Building Material: Stone, Brick, None listed, Sandstone          Other Names: Old Masonic Temple</p>	<p>74002164          National Register Hist. Places</p>
---	--	---

<p>E20          NE          1/4-1/2 mi          1688</p>	<p>Resource Name: U.S. Court Of Military Appeals          Alternate Name: Not Reported          Resource Address: 450 E St., NW.          Resource Type: Building          Location: Washington, DC          County: District of Columbia, DC          Primary Certification: Listed in the national register          Certification Date: 19740121      Acreage: 3          Number of Buildings: 1      Number of Objects: 0          Number of Sites: 0      Num. of Structures: 0          Number of non-contributing Buildings: 0          Number of non-contributing Objects: 0          Number of non-contributing Sites: 0          Num. of non-contributing Structures: 0          Applicable Criteria: Architecture/Engineering          Areas of Significance: Architecture          Current Function: Government          Building Material: None listed, Copper, Limestone          Other Names: District of Columbia Court of Appeals</p>	<p>74002174          National Register Hist. Places</p>
--	--	---

# HISTORIC SITES MAP FINDINGS

Map ID  
 Direction  
 Distance  
 Distance (ft.)

EDR ID  
 Database

21	Resource Name:	National Portrait Gallery	
North	Alternate Name:	Not Reported	66000902
1/4-1/2 mi	Resource Address:	F and G Sts. between 7th and 9th Sts., NW	National Register Hist. Places
1754	Resource Type:	Building	
	Location:	Washington, DC	
	County:	District of Columbia, DC	
	Primary Certification:	Listed in the national register	
	Certification Date:	19661015	Acreage: 0
	Number of Buildings:	1	Number of Objects: 0
	Number of Sites:	0	Num. of Structures: 0
	Number of non-contributing Buildings:	0	
	Number of non-contributing Objects:	0	
	Number of non-contributing Sites:	0	
	Num. of non-contributing Structures:	0	
	Applicable Criteria:	Event, Architecture/Engineering	
	Areas of Significance:	Science, Architecture, Invention	
	Current Function:	Recreation and culture	
	Building Material:	Marble, None listed, Granite, Sandstone	
	Other Names:	Old Patent Office;National Collection of Fine Arts	

22	Resource Name:	Smithsonian Building	
SSW	Alternate Name:	Not Reported	66000867
1/4-1/2 mi	Resource Address:	Jefferson Dr. at 10th St., SW	National Register Hist. Places
1794	Resource Type:	Building	
	Location:	Washington, DC	
	County:	District of Columbia, DC	
	Primary Certification:	Listed in the national register	
	Certification Date:	19661015	Acreage: 0
	Number of Buildings:	1	Number of Objects: 0
	Number of Sites:	0	Num. of Structures: 0
	Number of non-contributing Buildings:	0	
	Number of non-contributing Objects:	0	
	Number of non-contributing Sites:	0	
	Num. of non-contributing Structures:	0	
	Applicable Criteria:	Event, Architecture/Engineering	
	Areas of Significance:	Science, Architecture, Invention	
	Current Function:	Recreation and culture, Commerce/trade	
	Building Material:	None listed, Sandstone	
	Other Names:	Smithsonian Institution Building	



# HISTORIC SITES MAP FINDINGS

Map ID  
 Direction  
 Distance  
 Distance (ft.)

EDR ID  
 Database

E23	Resource Name:	City Hall	
ENE	Alternate Name:	Not Reported	66000857
1/4-1/2 mi	Resource Address:	4th and E Sts., NW	National Register Hist. Places
1821	Resource Type:	Building	
	Location:	Washington, DC	
	County:	District of Columbia, DC	
	Primary Certification:	Listed in the national register	
	Certification Date:	19661015	Acreage: 9
	Number of Buildings:	1	Number of Objects: 0
	Number of Sites:	0	Num. of Structures: 0
	Number of non-contributing Buildings:	0	
	Number of non-contributing Objects:	0	
	Number of non-contributing Sites:	0	
	Num. of non-contributing Structures:	0	
	Applicable Criteria:	Event, Person	
	Areas of Significance:	Politics/government	
	Current Function:	Government	
	Building Material:	Stone, None listed, Brick, Limestone	
	Other Names:	District of Columbia Courthouse	

24	Resource Name:	LeDroit Park Historic District	
NNE	Alternate Name:	Not Reported	74002165
1/4-1/2 mi	Resource Address:	Bounded roughly by Florida and Rhode Island Aves., 2nd and Elm Sts., Howard University	National Register Hist. Places
1957	Resource Type:	District	
	Location:	Washington, DC	
	County:	District of Columbia, DC	
	Primary Certification:	Listed in the national register	
	Certification Date:	19740225	Acreage: 426
	Number of Buildings:	100	Number of Objects: 0
	Number of Sites:	0	Num. of Structures: 0
	Number of non-contributing Buildings:	1	
	Number of non-contributing Objects:	0	
	Number of non-contributing Sites:	0	
	Num. of non-contributing Structures:	0	
	Applicable Criteria:	Event, Architecture/Engineering	
	Areas of Significance:	Community planning and development, Black, Architecture	
	Current Function:	Domestic	
	Building Material:	Terra cotta, Weatherboard, None listed, Brick, Wood	

# HISTORIC SITES MAP FINDINGS

Map ID  
 Direction  
 Distance  
 Distance (ft.)

EDR ID  
 Database

F25 NE 1/4-1/2 mi 2047	Resource Name: US General Accounting Office Building Alternate Name: Not Reported Resource Address: 441 G St., NW. Resource Type: Building Location: Washington, DC County: District of Columbia, DC Primary Certification: Listed in the national register Certification Date: 19950921      Acreage: 9 Number of Buildings: 1      Number of Objects: 0 Number of Sites: 0      Num. of Structures: 0 Number of non-contributing Buildings: 0 Number of non-contributing Objects: 0 Number of non-contributing Sites: 0 Num. of non-contributing Structures: 0 Applicable Criteria: Architecture/Engineering Areas of Significance: Architecture, Art Current Function: Government Building Material: Stone, Asphalt, Concrete Other Names: United States General Accounting Office Building	95001086 National Register Hist. Places
---------------------------------	--	--

G26 NNE 1/4-1/2 mi 2082	Resource Name: Adas Israel Synagogue Alternate Name: Not Reported Resource Address: 3rd and G Sts., NW. Resource Type: Building Location: Washington, DC County: District of Columbia, DC Primary Certification: Listed in the national register Certification Date: 19690324      Acreage: 0 Number of Buildings: 1      Number of Objects: 0 Number of Sites: 0      Num. of Structures: 0 Number of non-contributing Buildings: 0 Number of non-contributing Objects: 0 Number of non-contributing Sites: 0 Num. of non-contributing Structures: 0 Applicable Criteria: Event Areas of Significance: Religion Current Function: Vacant/not in use Building Material: None listed, Brick, Wood	69000288 National Register Hist. Places
----------------------------------	---	--

# HISTORIC SITES MAP FINDINGS

Map ID  
Direction  
Distance  
Distance (ft.)

EDR ID  
Database

27 NNW 1/4-1/2 mi 2092	Resource Name: McLachlen Building Alternate Name: Not Reported Resource Address: 1001 G St. NW Resource Type: Building Location: Washington, DC County: District of Columbia, DC Primary Certification: Listed in the national register Certification Date: 19861106      Acreage: 1 Number of Buildings: 1      Number of Objects: 0 Number of Sites: 0      Num. of Structures: 0 Number of non-contributing Buildings: 0 Number of non-contributing Objects: 0 Number of non-contributing Sites: 0 Num. of non-contributing Structures: 0 Applicable Criteria: Event, Architecture/Engineering Areas of Significance: Commerce, Architecture Current Function: Commerce/trade Building Material: Terra cotta, Marble, None listed, Brick	86003042 National Register Hist. Places
---------------------------------	--	--

28 SW 1/4-1/2 mi 2177	Resource Name: Freer Gallery Of Art Alternate Name: Not Reported Resource Address: 12th St. and Jefferson Dr., SW. Resource Type: Building Location: Washington, DC County: District of Columbia, DC Primary Certification: Listed in the national register Certification Date: 19690623      Acreage: 9 Number of Buildings: 1      Number of Objects: 0 Number of Sites: 0      Num. of Structures: 0 Number of non-contributing Buildings: 0 Number of non-contributing Objects: 0 Number of non-contributing Sites: 0 Num. of non-contributing Structures: 0 Applicable Criteria: Architecture/Engineering Areas of Significance: Art, Architecture Current Function: Recreation and culture Building Material: Marble, None listed, Granite	69000295 National Register Hist. Places
--------------------------------	---	--

## HISTORIC SITES MAP FINDINGS

Map ID  
Direction  
Distance  
Distance (ft.)

EDR ID  
Database

---

29 WNW 1/4-1/2 mi 2210	Resource Name: American Revolution Statuary Alternate Name: Not Reported Resource Address: Public buildings and various parks within DC Resource Type: Object Location: Washington, DC County: District of Columbia, DC Primary Certification: Listed in the national register Certification Date: 19780714      Acreage: 9 Number of Buildings: 0      Number of Objects: 14 Number of Sites: 0      Num. of Structures: 0 Number of non-contributing Buildings: 0 Number of non-contributing Objects: 0 Number of non-contributing Sites: 0 Num. of non-contributing Structures: 0 Applicable Criteria: Event, Person Areas of Significance: Military, Politics/government Current Function: Recreation and culture, Landscape Building Material: Marble, None listed, Bronze Other Names: Monumental Statuary Commemorating the American Revolution	78000256 National Register Hist. Places
---------------------------------	--	--

---

30 South 1/4-1/2 mi 2227	Resource Name: Arts and Industries Building Alternate Name: Not Reported Resource Address: 900 Jefferson Dr., SW. Resource Type: Building Location: Washington, DC County: District of Columbia, DC Primary Certification: Listed in the national register Certification Date: 19711111      Acreage: 23 Number of Buildings: 1      Number of Objects: 0 Number of Sites: 0      Num. of Structures: 0 Number of non-contributing Buildings: 0 Number of non-contributing Objects: 0 Number of non-contributing Sites: 0 Num. of non-contributing Structures: 0 Applicable Criteria: Architecture/Engineering Areas of Significance: Architecture Current Function: Recreation and culture Building Material: Brick, Slate, Granite, Sandstone Other Names: National Museum; Arts and Industries Building of the Smithsonian	71000994 National Register Hist. Places
-----------------------------------	---	--

---

# HISTORIC SITES MAP FINDINGS

Map ID  
Direction  
Distance  
Distance (ft.)

EDR ID  
Database

K31 WNW 1/4-1/2 mi 2238	Resource Name: American Revolution Statuary Alternate Name: Not Reported Resource Address: Public buildings and various parks within DC Resource Type: Object Location: Washington, DC County: District of Columbia, DC Primary Certification: Listed in the national register Certification Date: 19780714      Acreage: 9 Number of Buildings: 0      Number of Objects: 14 Number of Sites: 0      Num. of Structures: 0 Number of non-contributing Buildings: 0 Number of non-contributing Objects: 0 Number of non-contributing Sites: 0 Num. of non-contributing Structures: 0 Applicable Criteria: Event, Person Areas of Significance: Military, Politics/government Current Function: Recreation and culture, Landscape Building Material: Marble, None listed, Bronze Other Names: Monumental Statuary Commemorating the American Revolution	78000256 National Register Hist. Places
----------------------------------	--	--

G32 NNE 1/4-1/2 mi 2269	Resource Name: Moran Building Alternate Name: Not Reported Resource Address: 501-509 G St., NW Resource Type: Building Location: Washington, DC County: District of Columbia, DC Primary Certification: Listed in the national register Certification Date: 19830926      Acreage: 4 Number of Buildings: 1      Number of Objects: 0 Number of Sites: 0      Num. of Structures: 0 Number of non-contributing Buildings: 0 Number of non-contributing Objects: 0 Number of non-contributing Sites: 0 Num. of non-contributing Structures: 0 Applicable Criteria: Architecture/Engineering Areas of Significance: Architecture, Social history Current Function: Vacant/not in use Building Material: Tin, None listed, Brick, Slate, Iron Other Names: 501-509 G St., NW	83001413 National Register Hist. Places
----------------------------------	---	--

# HISTORIC SITES MAP FINDINGS

Map ID  
Direction  
Distance  
Distance (ft.)

EDR ID  
Database

G33 NNE 1/4-1/2 mi 2283	Resource Name: Myrene Apartment Building Alternate Name: Apartment Buildings in Washington, DC, MPS Resource Address: 603 6th St., NW. Resource Type: Building Location: Washington, DC County: District of Columbia, DC Primary Certification: Listed in the national register Certification Date: 19940909      Acreage: 9 Number of Buildings: 1      Number of Objects: 0 Number of Sites: 0      Num. of Structures: 0 Number of non-contributing Buildings: 0 Number of non-contributing Objects: 0 Number of non-contributing Sites: 0 Num. of non-contributing Structures: 0 Applicable Criteria: Event, Architecture/Engineering Areas of Significance: Community planning and development, Architecture Current Function: Vacant/not in use Building Material: Brick, None listed	94001041 National Register Hist. Places
----------------------------------	--	--

F34 NE 1/4-1/2 mi 2298	Resource Name: Pension Building Alternate Name: Not Reported Resource Address: 4th and 5th Sts. between F and G Sts., NW Resource Type: Building Location: Washington, DC County: District of Columbia, DC Primary Certification: Listed in the national register Certification Date: 19690324      Acreage: 0 Number of Buildings: 1      Number of Objects: 0 Number of Sites: 0      Num. of Structures: 0 Number of non-contributing Buildings: 0 Number of non-contributing Objects: 0 Number of non-contributing Sites: 0 Num. of non-contributing Structures: 0 Applicable Criteria: Event, Architecture/Engineering Areas of Significance: Engineering, Architecture, Politics/government Current Function: Recreation and culture, Government Building Material: Stone, Terra cotta, Brick, None listed	69000312 National Register Hist. Places
---------------------------------	---	--

# HISTORIC SITES MAP FINDINGS

Map ID  
 Direction  
 Distance  
 Distance (ft.)

EDR ID  
 Database

H35 WNW 1/4-1/2 mi 2433	Resource Name: US Department of the Interior Building Alternate Name: Not Reported Resource Address: Eighteenth and C Sts. NW Resource Type: Building Location: Washington, DC County: District of Columbia, DC Primary Certification: Listed in the national register Certification Date: 19861110      Acreage: 50 Number of Buildings: 1      Number of Objects: 0 Number of Sites: 0      Num. of Structures: 0 Number of non-contributing Buildings: 0 Number of non-contributing Objects: 0 Number of non-contributing Sites: 0 Num. of non-contributing Structures: 0 Applicable Criteria: Event, Architecture/Engineering Areas of Significance: Art, Conservation, Architecture, Politics/government Current Function: Government Building Material: None listed, Wood, Granite, Limestone Other Names: The New Interior Building	86002898 National Register Hist. Places
----------------------------------	--	--

H36 WNW 1/4-1/2 mi 2441	Resource Name: District Building Alternate Name: Not Reported Resource Address: SE corner of 14th and E Sts., NW. Resource Type: Building Location: Washington, DC County: District of Columbia, DC Primary Certification: Listed in the national register Certification Date: 19720316      Acreage: 11 Number of Buildings: 1      Number of Objects: 0 Number of Sites: 0      Num. of Structures: 0 Number of non-contributing Buildings: 0 Number of non-contributing Objects: 0 Number of non-contributing Sites: 0 Num. of non-contributing Structures: 0 Applicable Criteria: Architecture/Engineering Areas of Significance: Architecture Current Function: Government Building Material: Stone, Marble, None listed, Granite	72001422 National Register Hist. Places
----------------------------------	---	--

# HISTORIC SITES MAP FINDINGS

Map ID  
 Direction  
 Distance  
 Distance (ft.)

EDR ID  
 Database

P37 West 1/4-1/2 mi 2484	Resource Name: Washington Monument Alternate Name: Not Reported Resource Address: The Mall, between 14th and 17th Sts., NW. Resource Type: Structure Location: Washington, DC County: District of Columbia, DC Primary Certification: Listed in the national register Certification Date: 19661015      Acreage: 1061 Number of Buildings: 2      Number of Objects: 1 Number of Sites: 1      Num. of Structures: 1 Number of non-contributing Buildings: 7 Number of non-contributing Objects: 0 Number of non-contributing Sites: 0 Num. of non-contributing Structures: 1 Applicable Criteria: Event, Architecture/Engineering, Person Areas of Significance: Landscape architecture, Engineering, Politics/government, Architecture Current Function: Recreation and culture, Landscape Building Material: Glass, Aluminum, Marble, Concrete, None listed	66000035 National Register Hist. Places
-----------------------------------	---	--

I38 NNW 1/4-1/2 mi 2558	Resource Name: Chesapeake and Potomac Telephone Company, Old Main Building Alternate Name: Not Reported Resource Address: 722 Twelfth St., NW Resource Type: Building Location: Washington, DC County: District of Columbia, DC Primary Certification: Listed in the national register Certification Date: 19880613      Acreage: 2 Number of Buildings: 1      Number of Objects: 0 Number of Sites: 0      Num. of Structures: 0 Number of non-contributing Buildings: 0 Number of non-contributing Objects: 0 Number of non-contributing Sites: 0 Num. of non-contributing Structures: 0 Applicable Criteria: Event, Architecture/Engineering Areas of Significance: Architecture, Communications Current Function: Commerce/trade Building Material: Other, Terra cotta, Brick, Granite, Limestone	88000652 National Register Hist. Places
----------------------------------	---	--



# HISTORIC SITES MAP FINDINGS

Map ID  
 Direction  
 Distance  
 Distance (ft.)

EDR ID  
 Database

<p>I39          NNW          1/4-1/2 mi          2558</p>	<p>Resource Name: Chesapeake and Potomac Telephone Company Building          Alternate Name: Not Reported          Resource Address: 730 Twelfth St., NW          Resource Type: Building          Location: Washington, DC          County: District of Columbia, DC          Primary Certification: Listed in the national register          Certification Date: 19880805      Acreage: 5          Number of Buildings: 1      Number of Objects: 0          Number of Sites: 0      Num. of Structures: 0          Number of non-contributing Buildings: 0          Number of non-contributing Objects: 0          Number of non-contributing Sites: 0          Num. of non-contributing Structures: 0          Applicable Criteria: Event, Architecture/Engineering          Areas of Significance: Architecture, Communications          Current Function: Industry/processing/extraction          Building Material: Other, Concrete, Brick, Limestone, Bronze</p>	<p>88001112          National Register Hist. Places</p>
---	--	---

<p>40          SW          1/2-1 mi          2642</p>	<p>Resource Name: U.S. Department of Agriculture Administration Building          Alternate Name: Not Reported          Resource Address: 12th St. and Jefferson Dr., SW.          Resource Type: Building          Location: Washington, DC          County: District of Columbia, DC          Primary Certification: Listed in the national register          Certification Date: 19740124      Acreage: 40          Number of Buildings: 1      Number of Objects: 0          Number of Sites: 0      Num. of Structures: 0          Number of non-contributing Buildings: 0          Number of non-contributing Objects: 0          Number of non-contributing Sites: 0          Num. of non-contributing Structures: 0          Applicable Criteria: Architecture/Engineering          Areas of Significance: Community planning and development, Art, Architecture          Current Function: Government          Building Material: Marble, None listed, Brick, Limestone</p>	<p>74002175          National Register Hist. Places</p>
---	--	---

# HISTORIC SITES MAP FINDINGS

Map ID  
Direction  
Distance  
Distance (ft.)

EDR ID  
Database

J41 NW 1/2-1 mi 2653	Resource Name: Brownley Confectionary Building Alternate Name: Not Reported Resource Address: 1309 F St., NW. Resource Type: Building Location: Washington, DC County: District of Columbia, DC Primary Certification: Listed in the national register Certification Date: 19941201      Acreage: 9 Number of Buildings: 1      Number of Objects: 0 Number of Sites: 0      Num. of Structures: 0 Number of non-contributing Buildings: 0 Number of non-contributing Objects: 0 Number of non-contributing Sites: 0 Num. of non-contributing Structures: 0 Applicable Criteria: Architecture/Engineering Areas of Significance: Architecture Current Function: Vacant/not in use Building Material: Aluminum, Concrete, Metal, None listed, Limestone	94001408 National Register Hist. Places
-------------------------------	---	--

J42 NW 1/2-1 mi 2707	Resource Name: Harris & Ewing Photographic Studio Alternate Name: Not Reported Resource Address: 1311--1313 F St., NW. Resource Type: Building Location: Washington, DC County: District of Columbia, DC Primary Certification: Listed in the national register Certification Date: 19941216      Acreage: 9 Number of Buildings: 1      Number of Objects: 0 Number of Sites: 0      Num. of Structures: 0 Number of non-contributing Buildings: 0 Number of non-contributing Objects: 0 Number of non-contributing Sites: 0 Num. of non-contributing Structures: 0 Applicable Criteria: Architecture/Engineering, Event Areas of Significance: Communications, Commerce, Architecture Current Function: Commerce/trade Building Material: Concrete, Metal, None listed, Bronze, Limestone	94001407 National Register Hist. Places
-------------------------------	--	--

# HISTORIC SITES MAP FINDINGS

Map ID  
Direction  
Distance  
Distance (ft.)

EDR ID  
Database

43 NNE 1/2-1 mi 2783	Resource Name: Wheatley, Phillis, YWCA Alternate Name: Not Reported Resource Address: 901 Rhode Island Ave. NW Resource Type: Building Location: Washington, DC County: District of Columbia, DC Primary Certification: Listed in the national register Certification Date: 19831006      Acreage: 40 Number of Buildings: 1      Number of Objects: 0 Number of Sites: 0      Num. of Structures: 0 Number of non-contributing Buildings: 0 Number of non-contributing Objects: 0 Number of non-contributing Sites: 0 Num. of non-contributing Structures: 0 Applicable Criteria: Event Areas of Significance: Education, Black, Social history Current Function: Education Building Material: Brick, None listed, Granite	83003532 National Register Hist. Places
-------------------------------	--	--

O44 WNW 1/2-1 mi 2811	Resource Name: Fifteenth Street Financial Historic District Alternate Name: Not Reported Resource Address: Fifteenth St., from Pennsylvania Ave. to I St., NW Resource Type: District Location: Washington, DC County: District of Columbia, DC Primary Certification: Determined eligible/owner objection Certification Date: 19841018      Acreage: 107 Number of Buildings: 12      Number of Objects: 0 Number of Sites: 0      Num. of Structures: 0 Number of non-contributing Buildings: 10 Number of non-contributing Objects: 0 Number of non-contributing Sites: 0 Num. of non-contributing Structures: 0 Applicable Criteria: Event, Architecture/Engineering Areas of Significance: Commerce, Architecture Current Function: Commerce/trade Building Material: Stone, Terra cotta, None listed, Brick Other Names: See Also:US Treasury Bldg.;Rhodes Tavern;National Metropolit	84003900 National Register Hist. Places
--------------------------------	---	--

# HISTORIC SITES MAP FINDINGS

Map ID  
 Direction  
 Distance  
 Distance (ft.)

EDR ID  
 Database

<p>J45 NW 1/2-1 mi 2934</p>	<p>Resource Name: Church of the Epiphany          Alternate Name: Not Reported          Resource Address: 1317 G St., NW.          Resource Type: Building          Location: Washington, DC          County: District of Columbia, DC          Primary Certification: Listed in the national register          Certification Date: 19710910      Acreage: 9          Number of Buildings: 1      Number of Objects: 0          Number of Sites: 0      Num. of Structures: 0          Number of non-contributing Buildings: 0          Number of non-contributing Objects: 0          Number of non-contributing Sites: 0          Num. of non-contributing Structures: 0          Applicable Criteria: Event, Architecture/Engineering          Areas of Significance: Architecture, Religion          Current Function: Religion          Building Material: Stone, None listed, Brick, Slate</p>	<p>71000996 National Register Hist. Places</p>
---	--	--

<p>K46 WNW 1/2-1 mi 2953</p>	<p>Resource Name: Garfinckel's Department Store          Alternate Name: Not Reported          Resource Address: 1401 F St., NW.          Resource Type: Building          Location: Washington, DC          County: District of Columbia, DC          Primary Certification: Listed in the national register          Certification Date: 19950404      Acreage: 9          Number of Buildings: 1      Number of Objects: 0          Number of Sites: 0      Num. of Structures: 0          Number of non-contributing Buildings: 0          Number of non-contributing Objects: 0          Number of non-contributing Sites: 0          Num. of non-contributing Structures: 0          Applicable Criteria: Event, Architecture/Engineering          Areas of Significance: Architecture, Commerce          Current Function: Vacant/not in use          Building Material: Marble, Concrete, Metal, Limestone, Bronze          Other Names: Hamilton Square</p>	<p>95000353 National Register Hist. Places</p>
--	--	--

# HISTORIC SITES MAP FINDINGS

Map ID  
 Direction  
 Distance  
 Distance (ft.)

EDR ID  
 Database

J47 NW 1/2-1 mi 2956	Resource Name: Second National Bank Alternate Name: Banks and Financial Institutions MPS Resource Address: 1331 G St., NW. Resource Type: Building Location: Washington, DC County: District of Columbia, DC Primary Certification: Listed in the national register Certification Date: 19941229      Acreage: 9 Number of Buildings: 1      Number of Objects: 0 Number of Sites: 0      Num. of Structures: 0 Number of non-contributing Buildings: 0 Number of non-contributing Objects: 0 Number of non-contributing Sites: 0 Num. of non-contributing Structures: 0 Applicable Criteria: Event, Architecture/Engineering Areas of Significance: Architecture, Commerce Current Function: Commerce/trade Building Material: Asphalt, None listed, Granite, Bronze, Limestone	94001516 National Register Hist. Places
-------------------------------	---	--

J48 NW 1/2-1 mi 2969	Resource Name: Federal--American National Bank Alternate Name: Banks and Financial Institutions MPS Resource Address: 615--621 14th St., NW. Resource Type: Building Location: Washington, DC County: District of Columbia, DC Primary Certification: Listed in the national register Certification Date: 19941229      Acreage: 9 Number of Buildings: 1      Number of Objects: 0 Number of Sites: 0      Num. of Structures: 0 Number of non-contributing Buildings: 0 Number of non-contributing Objects: 0 Number of non-contributing Sites: 0 Num. of non-contributing Structures: 0 Applicable Criteria: Event, Architecture/Engineering Areas of Significance: Architecture, Commerce Current Function: Commerce/trade, Vacant/not in use Building Material: Asphalt, Granite, Limestone, Bronze Other Names: Hamilton National Bank; National Bank of Washington	94001517 National Register Hist. Places
-------------------------------	---	--

# HISTORIC SITES MAP FINDINGS

Map ID  
 Direction  
 Distance  
 Distance (ft.)

EDR ID  
 Database

Q49 West 1/2-1 mi 2986	Resource Name: President's Park South Alternate Name: Not Reported Resource Address: Constitution Ave. Resource Type: Site Location: Washington, DC County: District of Columbia, DC Primary Certification: Listed in the national register Certification Date: 19800506      Acreage: 520 Number of Buildings: 2      Number of Objects: 7 Number of Sites: 1      Num. of Structures: 0 Number of non-contributing Buildings: 0 Number of non-contributing Objects: 0 Number of non-contributing Sites: 0 Num. of non-contributing Structures: 0 Applicable Criteria: Architecture/Engineering Areas of Significance: Landscape architecture, Art Current Function: Recreation and culture, Landscape Building Material: Inapplicable, Marble, Bronze Other Names: The Ellipse and adjacent parkland	80000347 National Register Hist. Places
---------------------------------	--	--

K50 WNW 1/2-1 mi 2999	Resource Name: Willard Hotel Alternate Name: Not Reported Resource Address: 1401--1409 Pennsylvania Ave., NW. Resource Type: Building Location: Washington, DC County: District of Columbia, DC Primary Certification: Listed in the national register Certification Date: 19740215      Acreage: 8 Number of Buildings: 1      Number of Objects: 0 Number of Sites: 0      Num. of Structures: 0 Number of non-contributing Buildings: 0 Number of non-contributing Objects: 0 Number of non-contributing Sites: 0 Num. of non-contributing Structures: 0 Applicable Criteria: Event, Architecture/Engineering Areas of Significance: Commerce, Architecture, Politics/government, Social history Current Function: Vacant/not in use Building Material: Terra cotta, Concrete, Brick, Slate, Iron, Limestone	74002177 National Register Hist. Places
--------------------------------	--	--

# HISTORIC SITES MAP FINDINGS

Map ID  
 Direction  
 Distance  
 Distance (ft.)

EDR ID  
 Database

51	Resource Name:	U.S. Capitol Gatehouses And Gateposts	
West	Alternate Name:	Not Reported	73002120
1/2-1 mi	Resource Address:	7th, 15th, and 17th Sts., and Constitution Ave., NW.	National Register Hist. Places
3075	Resource Type:	Structure	
	Location:	Washington, DC	
	County:	District of Columbia, DC	
	Primary Certification:	Listed in the national register	
	Certification Date:	19731130	Acreage: 54
	Number of Buildings:	2	Number of Objects: 0
	Number of Sites:	0	Num. of Structures: 4
	Number of non-contributing Buildings:	0	
	Number of non-contributing Objects:	0	
	Number of non-contributing Sites:	0	
	Num. of non-contributing Structures:	0	
	Applicable Criteria:	Architecture/Engineering	
	Areas of Significance:	Architecture	
	Current Function:	Recreation and culture, Landscape	
	Building Material:	Brick, None listed, Concrete, Sandstone	
	Other Names:	Bulfinch Gatehouses and Gateposts	

52	Resource Name:	Masonic Temple	
NW	Alternate Name:	Not Reported	86002920
1/2-1 mi	Resource Address:	801 Thirteenth St., NW	National Register Hist. Places
3088	Resource Type:	Building	
	Location:	Washington, DC	
	County:	District of Columbia, DC	
	Primary Certification:	Listed in the national register	
	Certification Date:	19870218	Acreage: 3
	Number of Buildings:	1	Number of Objects: 0
	Number of Sites:	0	Num. of Structures: 0
	Number of non-contributing Buildings:	0	
	Number of non-contributing Objects:	0	
	Number of non-contributing Sites:	0	
	Num. of non-contributing Structures:	0	
	Applicable Criteria:	Event, Architecture/Engineering	
	Areas of Significance:	Architecture, Social history	
	Current Function:	Work in progress	
	Building Material:	Terra cotta, None listed, Brick, Limestone	
	Other Names:	National Museum of Women in the Arts	

# HISTORIC SITES MAP FINDINGS

Map ID Direction Distance Distance (ft.)		EDR ID Database
S53 WNW 1/2-1 mi 3095	<p>Resource Name: Lafayette Square Historic District  Alternate Name: Not Reported  Resource Address: Roughly between 15th and 17th Sts. and H St. and State and Treasury Places, exclusive of the White House and its grounds  Resource Type: District  Location: Washington, DC  County: District of Columbia, DC  Primary Certification: Listed in the national register  Certification Date: 19700829      Acreage: 0  Number of Buildings: 14      Number of Objects: 5  Number of Sites: 1      Num. of Structures: 0  Number of non-contributing Buildings: 0  Number of non-contributing Objects: 0  Number of non-contributing Sites: 0  Num. of non-contributing Structures: 0  Applicable Criteria: Event, Architecture/Engineering  Areas of Significance: Landscape architecture, Commerce, Politics/government  Current Function: Recreation and culture, Government, Landscape  Building Material: None listed  Other Names: See Also:74002155;73002075;74002156;66000858;69000300;730020</p>	<p>70000833  National Register Hist. Places</p>
L54 NE 1/2-1 mi 3096	<p>Resource Name: Harrison Apartment Building  Alternate Name: Apartment Buildings in Washington, DC, MPS  Resource Address: 704 3rd St., NW.  Resource Type: Building  Location: Washington, DC  County: District of Columbia, DC  Primary Certification: Listed in the national register  Certification Date: 19940907      Acreage: 9  Number of Buildings: 1      Number of Objects: 0  Number of Sites: 0      Num. of Structures: 0  Number of non-contributing Buildings: 0  Number of non-contributing Objects: 0  Number of non-contributing Sites: 0  Num. of non-contributing Structures: 0  Applicable Criteria: Event, Architecture/Engineering  Areas of Significance: Community planning and development, Architecture  Current Function: Domestic  Building Material: Terra cotta, Tin, Brick, Slate  Other Names: Canterbury;Astoria</p>	<p>94001036 National Register Hist. Places</p>



# HISTORIC SITES MAP FINDINGS

Map ID  
 Direction  
 Distance  
 Distance (ft.)

EDR ID  
 Database

55 NNE 1/2-1 mi 3155	Resource Name: Old Engine Company No. 6 Alternate Name: Not Reported Resource Address: 438 Massachusetts Ave., NW. Resource Type: Building Location: Washington, DC County: District of Columbia, DC Primary Certification: Listed in the national register Certification Date: 19750905      Acreage: 1 Number of Buildings: 1      Number of Objects: 0 Number of Sites: 0      Num. of Structures: 0 Number of non-contributing Buildings: 0 Number of non-contributing Objects: 0 Number of non-contributing Sites: 0 Num. of non-contributing Structures: 0 Applicable Criteria: Architecture/Engineering Areas of Significance: Architecture Current Function: Government Building Material: Stone, None listed, Brick, Metal, Granite	75002052 National Register Hist. Places
-------------------------------	---	--

M56 WNW 1/2-1 mi 3219	Resource Name: Hotel Washington Alternate Name: Not Reported Resource Address: 515 15th St., NW. Resource Type: Building Location: Washington, DC County: District of Columbia, DC Primary Certification: Listed in the national register Certification Date: 19950330      Acreage: 9 Number of Buildings: 1      Number of Objects: 0 Number of Sites: 0      Num. of Structures: 0 Number of non-contributing Buildings: 0 Number of non-contributing Objects: 0 Number of non-contributing Sites: 0 Num. of non-contributing Structures: 0 Applicable Criteria: Architecture/Engineering Areas of Significance: Architecture Current Function: Domestic Building Material: Stone, Other, Brick, Metal, Limestone Other Names: See also: Pennsylvania Avenue National Historic Site;Fifteent	95000352 National Register Hist. Places
--------------------------------	---	--

# HISTORIC SITES MAP FINDINGS

Map ID  
 Direction  
 Distance  
 Distance (ft.)

EDR ID  
 Database

K57 NW 1/2-1 mi 3250	Resource Name: Commercial National Bank Alternate Name: Not Reported Resource Address: 1405 G St., NW. Resource Type: Building Location: Washington, DC County: District of Columbia, DC Primary Certification: Listed in the national register Certification Date: 19911011      Acreage: 9 Number of Buildings: 1      Number of Objects: 0 Number of Sites: 0      Num. of Structures: 0 Number of non-contributing Buildings: 0 Number of non-contributing Objects: 0 Number of non-contributing Sites: 0 Num. of non-contributing Structures: 0 Applicable Criteria: Architecture/Engineering Areas of Significance: Architecture Current Function: Commerce/trade, Industry/processing/extraction Building Material: None listed, Limestone Other Names: Western Union Building	91001488 National Register Hist. Places
-------------------------------	---	--

L58 NE 1/2-1 mi 3275	Resource Name: Germuiller Row Alternate Name: Not Reported Resource Address: 748 3rd St. and 300--302 H St., NW. Resource Type: Building Location: Washington, DC County: District of Columbia, DC Primary Certification: Listed in the national register Certification Date: 19941201      Acreage: 9 Number of Buildings: 3      Number of Objects: 0 Number of Sites: 0      Num. of Structures: 0 Number of non-contributing Buildings: 0 Number of non-contributing Objects: 0 Number of non-contributing Sites: 0 Num. of non-contributing Structures: 0 Applicable Criteria: Architecture/Engineering Areas of Significance: Architecture Current Function: Domestic, Vacant/not in use Building Material: Brick, Metal, None listed	94001406 National Register Hist. Places
-------------------------------	--	--

# HISTORIC SITES MAP FINDINGS

Map ID  
Direction  
Distance  
Distance (ft.)

EDR ID  
Database

M59 WNW 1/2-1 mi 3328	Resource Name: Rhodes' Tavern Alternate Name: Not Reported Resource Address: 601--603 15th St. and 1431 F St., NW. Resource Type: Building Location: Washington, DC County: District of Columbia, DC Primary Certification: Listed in the national register Certification Date: 19690324      Acreage: 0 Number of Buildings: 1      Number of Objects: 0 Number of Sites: 0      Num. of Structures: 0 Number of non-contributing Buildings: 0 Number of non-contributing Objects: 0 Number of non-contributing Sites: 0 Num. of non-contributing Structures: 0 Applicable Criteria: Event, Architecture/Engineering Areas of Significance: Commerce, Military, Architecture Current Function: Commerce/trade Building Material: Stone, Stucco, None listed Other Names: Bank of the Metropolis;Corcoran & Riggs	69000301 National Register Hist. Places
--------------------------------	---	--

Q60 WNW 1/2-1 mi 3352	Resource Name: American Revolution Statuary Alternate Name: Not Reported Resource Address: Public buildings and various parks within DC Resource Type: Object Location: Washington, DC County: District of Columbia, DC Primary Certification: Listed in the national register Certification Date: 19780714      Acreage: 9 Number of Buildings: 0      Number of Objects: 14 Number of Sites: 0      Num. of Structures: 0 Number of non-contributing Buildings: 0 Number of non-contributing Objects: 0 Number of non-contributing Sites: 0 Num. of non-contributing Structures: 0 Applicable Criteria: Event, Person Areas of Significance: Military, Politics/government Current Function: Recreation and culture, Landscape Building Material: Marble, None listed, Bronze Other Names: Monumental Statuary Commemorating the American Revolution	78000256 National Register Hist. Places
--------------------------------	--	--

# HISTORIC SITES MAP FINDINGS

Map ID  
 Direction  
 Distance  
 Distance (ft.)

EDR ID  
 Database

N61 NW 1/2-1 mi 3377	Resource Name: Bond Building Alternate Name: Not Reported Resource Address: 1404 New York Ave., NW Resource Type: Building Location: Washington, DC County: District of Columbia, DC Primary Certification: Listed in the national register Certification Date: 19830915      Acreage: 3 Number of Buildings: 1      Number of Objects: 0 Number of Sites: 0      Num. of Structures: 0 Number of non-contributing Buildings: 0 Number of non-contributing Objects: 0 Number of non-contributing Sites: 0 Num. of non-contributing Structures: 0 Applicable Criteria: Architecture/Engineering Areas of Significance: Architecture Current Function: Education, Commerce/trade Building Material: Stone, Terra cotta, Concrete, Brick, None listed	83001415 National Register Hist. Places
-------------------------------	---	--

M62 WNW 1/2-1 mi 3379	Resource Name: National Metropolitan Bank Building Alternate Name: Not Reported Resource Address: 613 15th St., NW. Resource Type: Building Location: Washington, DC County: District of Columbia, DC Primary Certification: Listed in the national register Certification Date: 19780913      Acreage: 2 Number of Buildings: 1      Number of Objects: 0 Number of Sites: 0      Num. of Structures: 0 Number of non-contributing Buildings: 0 Number of non-contributing Objects: 0 Number of non-contributing Sites: 0 Num. of non-contributing Structures: 0 Applicable Criteria: Event, Architecture/Engineering Areas of Significance: Commerce, Architecture Current Function: Commerce/trade Building Material: Marble, None listed, Copper	78003059 National Register Hist. Places
--------------------------------	---	--

# HISTORIC SITES MAP FINDINGS

Map ID  
Direction  
Distance  
Distance (ft.)

EDR ID  
Database

63 WNW 1/2-1 mi 3380	Resource Name: American Revolution Statuary Alternate Name: Not Reported Resource Address: Public buildings and various parks within DC Resource Type: Object Location: Washington, DC County: District of Columbia, DC Primary Certification: Listed in the national register Certification Date: 19780714      Acreage: 9 Number of Buildings: 0      Number of Objects: 14 Number of Sites: 0      Num. of Structures: 0 Number of non-contributing Buildings: 0 Number of non-contributing Objects: 0 Number of non-contributing Sites: 0 Num. of non-contributing Structures: 0 Applicable Criteria: Event, Person Areas of Significance: Military, Politics/government Current Function: Recreation and culture, Landscape Building Material: Marble, None listed, Bronze Other Names: Monumental Statuary Commemorating the American Revolution	78000256 National Register Hist. Places
-------------------------------	--	--

64 North 1/2-1 mi 3420	Resource Name: Central Public Library Alternate Name: Not Reported Resource Address: Mount Vernon Sq., 8th and K Sts., NW. Resource Type: Building Location: Washington, DC County: District of Columbia, DC Primary Certification: Listed in the national register Certification Date: 19691203      Acreage: 0 Number of Buildings: 1      Number of Objects: 0 Number of Sites: 0      Num. of Structures: 0 Number of non-contributing Buildings: 0 Number of non-contributing Objects: 0 Number of non-contributing Sites: 0 Num. of non-contributing Structures: 0 Applicable Criteria: Event, Architecture/Engineering Areas of Significance: Education, Architecture Current Function: Education Building Material: Marble, None listed, Granite Other Names: Carnegie Library	69000290 National Register Hist. Places
---------------------------------	--	--



# HISTORIC SITES MAP FINDINGS

Map ID  
 Direction  
 Distance  
 Distance (ft.)

EDR ID  
 Database

---

O65 WNW 1/2-1 mi 3439	Resource Name: Chase's Theater and Riggs Building Alternate Name: Not Reported Resource Address: 1426 G St. NW. and 615--627 15th St. NW. Resource Type: Building Location: Washington, DC County: District of Columbia, DC Primary Certification: Listed in the national register Certification Date: 19780907      Acreage: 5 Number of Buildings: 1      Number of Objects: 0 Number of Sites: 0      Num. of Structures: 0 Number of non-contributing Buildings: 0 Number of non-contributing Objects: 0 Number of non-contributing Sites: 0 Num. of non-contributing Structures: 0 Applicable Criteria: Event, Architecture/Engineering Areas of Significance: Architecture, Performing arts Current Function: Recreation and culture, Commerce/trade Building Material: Terra cotta, Marble, Copper, Granite Other Names: Keith's Theater and Albee Building	78003053 National Register Hist. Places
--------------------------------	--	--

---

66 NE 1/2-1 mi 3492	Resource Name: Jefferson Apartment Building Alternate Name: Apartment Buildings in Washington, DC, MPS Resource Address: 315 H St., NW. Resource Type: Building Location: Washington, DC County: District of Columbia, DC Primary Certification: Listed in the national register Certification Date: 19940907      Acreage: 9 Number of Buildings: 1      Number of Objects: 0 Number of Sites: 0      Num. of Structures: 0 Number of non-contributing Buildings: 0 Number of non-contributing Objects: 0 Number of non-contributing Sites: 0 Num. of non-contributing Structures: 0 Applicable Criteria: Event, Architecture/Engineering Areas of Significance: Community planning and development, Architecture Current Function: Vacant/not in use Building Material: Tin, Brick, Limestone	94001046 National Register Hist. Places
------------------------------	--	--

---

# HISTORIC SITES MAP FINDINGS

Map ID  
 Direction  
 Distance  
 Distance (ft.)

EDR ID  
 Database

P67 WSW 1/2-1 mi 3500	Resource Name: U.S. Department of the Treasury Alternate Name: Not Reported Resource Address: 1500 Pennsylvania Ave., NW Resource Type: Building Location: Washington, DC County: District of Columbia, DC Primary Certification: Listed in the national register Certification Date: 19711111      Acreage: 0 Number of Buildings: 0      Number of Objects: 0 Number of Sites: 0      Num. of Structures: 0 Number of non-contributing Buildings: 0 Number of non-contributing Objects: 0 Number of non-contributing Sites: 0 Num. of non-contributing Structures: 0 Applicable Criteria: Architecture/Engineering Areas of Significance: Architecture Current Function: Government Building Material: None listed, Sandstone Other Names: See Also:Lafayette Square Historic District	71001007 National Register Hist. Places
--------------------------------	--	--

S68 WNW 1/2-1 mi 3528	Resource Name: American Revolution Statuary Alternate Name: Not Reported Resource Address: Public buildings and various parks within DC Resource Type: Object Location: Washington, DC County: District of Columbia, DC Primary Certification: Listed in the national register Certification Date: 19780714      Acreage: 9 Number of Buildings: 0      Number of Objects: 14 Number of Sites: 0      Num. of Structures: 0 Number of non-contributing Buildings: 0 Number of non-contributing Objects: 0 Number of non-contributing Sites: 0 Num. of non-contributing Structures: 0 Applicable Criteria: Event, Person Areas of Significance: Military, Politics/government Current Function: Recreation and culture, Landscape Building Material: Marble, None listed, Bronze Other Names: Monumental Statuary Commemorating the American Revolution	78000256 National Register Hist. Places
--------------------------------	--	--

# HISTORIC SITES MAP FINDINGS

Map ID  
Direction  
Distance  
Distance (ft.)

EDR ID  
Database

69 East 1/2-1 mi 3580	Resource Name: Central National Bank Alternate Name: Banks and Financial Institutions MPS Resource Address: 633 Pennsylvania Ave., NW. Resource Type: Building Location: Washington, DC County: District of Columbia, DC Primary Certification: Listed in the national register Certification Date: 19950427      Acreage: 9 Number of Buildings: 1      Number of Objects: 0 Number of Sites: 0      Num. of Structures: 0 Number of non-contributing Buildings: 0 Number of non-contributing Objects: 0 Number of non-contributing Sites: 0 Num. of non-contributing Structures: 0 Applicable Criteria: Architecture/Engineering Areas of Significance: Architecture Current Function: Commerce/trade Building Material: None listed, Slate, Wood, Metal, Sandstone Other Names: Seaton House;St. Marc Hotel;Apex Building;Sears House	95000526 National Register Hist. Places
--------------------------------	--	--

70 NNW 1/2-1 mi 3581	Resource Name: Asbury United Methodist Church Alternate Name: Not Reported Resource Address: Eleventh and K Sts. NW Resource Type: Building Location: Washington, DC County: District of Columbia, DC Primary Certification: Listed in the national register Certification Date: 19861101      Acreage: 3 Number of Buildings: 1      Number of Objects: 0 Number of Sites: 0      Num. of Structures: 0 Number of non-contributing Buildings: 0 Number of non-contributing Objects: 0 Number of non-contributing Sites: 0 Num. of non-contributing Structures: 0 Applicable Criteria: Event Areas of Significance: Black, Social history, Religion Current Function: Religion Building Material: None listed, Granite, Limestone	86003029 National Register Hist. Places
-------------------------------	--	--

# HISTORIC SITES MAP FINDINGS

Map ID Direction Distance Distance (ft.)		EDR ID Database
N71 NW 1/2-1 mi 3606	<p>Resource Name: Hibbs, W. B., and Company Building</p> <p>Alternate Name: Not Reported</p> <p>Resource Address: 725 Fifteenth St., NW.</p> <p>Resource Type: Building</p> <p>Location: Washington, DC</p> <p>County: District of Columbia, DC</p> <p>Primary Certification: Listed in the national register</p> <p>Certification Date: 19910319      Acreage: 9</p> <p>Number of Buildings: 0      Number of Objects: 0</p> <p>Number of Sites: 0      Num. of Structures: 0</p> <p>Number of non-contributing Buildings: 0</p> <p>Number of non-contributing Objects: 0</p> <p>Number of non-contributing Sites: 0</p> <p>Num. of non-contributing Structures: 0</p> <p>Applicable Criteria: Architecture/Engineering</p> <p>Areas of Significance: Architecture</p> <p>Current Function: Commerce/trade</p> <p>Building Material: Marble, Brick, Copper, Slate</p> <p>Other Names: Folger Building; See Also: Fifteenth Street Financial District</p>	90002150 National Register Hist. Places
72 North 1/2-1 mi 3638	<p>Resource Name: Mount Vernon Square Historic District</p> <p>Alternate Name: Not Reported</p> <p>Resource Address: Roughly bounded by New York Ave., 7th St., N St., and 1st St. NW</p> <p>Resource Type: District</p> <p>Location: Washington, DC</p> <p>County: District of Columbia, DC</p> <p>Primary Certification: Listed in the national register</p> <p>Certification Date: 19990903      Acreage: 1000</p> <p>Number of Buildings: 407      Number of Objects: Not Reported</p> <p>Number of Sites: Not Reported      Num. of Structures: Not Reported</p> <p>Number of non-contributing Buildings: 13</p> <p>Number of non-contributing Objects: Not Reported</p> <p>Number of non-contributing Sites: Not Reported</p> <p>Num. of non-contributing Structures: Not Reported</p> <p>Applicable Criteria: Event, Architecture/Engineering</p> <p>Areas of Significance: Architecture, Community planning and development, Social history, Black</p> <p>Current Function: Domestic, Commerce/trade, Government, Education, Religion, Recreation and culture</p> <p>Building Material: Stone, Weatherboard, Brick, Concrete, Granite, Limestone</p>	99001071 National Register Hist. Places

# HISTORIC SITES MAP FINDINGS

**Map ID**  
**Direction**  
**Distance**  
**Distance (ft.)**

**EDR ID**  
**Database**

N73 NW 1/2-1 mi 3710	Resource Name: National Saving And Trust Company Alternate Name: Not Reported Resource Address: New York Ave. and 15th St., NW. Resource Type: Building Location: Washington, DC County: District of Columbia, DC Primary Certification: Listed in the national register Certification Date: 19720316      Acreage: 3 Number of Buildings: 1      Number of Objects: 0 Number of Sites: 0      Num. of Structures: 0 Number of non-contributing Buildings: 0 Number of non-contributing Objects: 0 Number of non-contributing Sites: 0 Num. of non-contributing Structures: 0 Applicable Criteria: Event, Architecture/Engineering Areas of Significance: Commerce, Architecture Current Function: Commerce/trade Building Material: None listed, Brick, Sandstone, Bronze Other Names: National Safe Deposit Company	72001428 National Register Hist. Places
-------------------------------	---	--

O74 NW 1/2-1 mi 3757	Resource Name: American Security and Trust Company Alternate Name: Not Reported Resource Address: 15th and Pennsylvania Ave., NW. Resource Type: Building Location: Washington, DC County: District of Columbia, DC Primary Certification: Listed in the national register Certification Date: 19730716      Acreage: 2 Number of Buildings: 1      Number of Objects: 0 Number of Sites: 0      Num. of Structures: 0 Number of non-contributing Buildings: 0 Number of non-contributing Objects: 0 Number of non-contributing Sites: 0 Num. of non-contributing Structures: 0 Applicable Criteria: Event, Architecture/Engineering Areas of Significance: Commerce, Architecture Current Function: Commerce/trade Building Material: Stone, None listed, Granite	73002070 National Register Hist. Places
-------------------------------	---	--



# HISTORIC SITES MAP FINDINGS

Map ID  
Direction  
Distance  
Distance (ft.)

EDR ID  
Database

75 NNW 1/2-1 mi 3780	Resource Name: Franklin School Alternate Name: Not Reported Resource Address: 13th and K Sts., NW. Resource Type: Building Location: Washington, DC County: District of Columbia, DC Primary Certification: Listed in the national register Certification Date: 19730411      Acreage: 3 Number of Buildings: 1      Number of Objects: 0 Number of Sites: 0      Num. of Structures: 0 Number of non-contributing Buildings: 0 Number of non-contributing Objects: 0 Number of non-contributing Sites: 0 Num. of non-contributing Structures: 0 Applicable Criteria: Event, Architecture/Engineering Areas of Significance: Education, Architecture Current Function: Education Building Material: Stone, Brick, Slate, Granite, Iron	73002085 National Register Hist. Places
-------------------------------	---	--

76 North 1/2-1 mi 3784	Resource Name: American Federation of Labor Building Alternate Name: Not Reported Resource Address: 901 Massachusetts Ave., NW. Resource Type: Building Location: Washington, DC County: District of Columbia, DC Primary Certification: Listed in the national register Certification Date: 19740913      Acreage: 9 Number of Buildings: 1      Number of Objects: 0 Number of Sites: 0      Num. of Structures: 0 Number of non-contributing Buildings: 0 Number of non-contributing Objects: 0 Number of non-contributing Sites: 0 Num. of non-contributing Structures: 0 Applicable Criteria: Event Areas of Significance: Social history Current Function: Commerce/trade Building Material: None listed, Brick, Limestone	74002154 National Register Hist. Places
---------------------------------	---	--

# HISTORIC SITES MAP FINDINGS

Map ID  
 Direction  
 Distance  
 Distance (ft.)

EDR ID  
 Database

O77 NW 1/2-1 mi 3789	Resource Name: Riggs National Bank Alternate Name: Not Reported Resource Address: 1503--1505 Pennsylvania Ave., NW. Resource Type: Building Location: Washington, DC County: District of Columbia, DC Primary Certification: Listed in the national register Certification Date: 19730716      Acreage: 2 Number of Buildings: 1      Number of Objects: 0 Number of Sites: 0      Num. of Structures: 0 Number of non-contributing Buildings: 0 Number of non-contributing Objects: 0 Number of non-contributing Sites: 0 Num. of non-contributing Structures: 0 Applicable Criteria: Event, Architecture/Engineering Areas of Significance: Commerce, Architecture Current Function: Commerce/trade Building Material: Stone, None listed, Granite, Bronze	73002113 National Register Hist. Places
-------------------------------	---	--

78 SW 1/2-1 mi 3796	Resource Name: Auditor's Building Complex Alternate Name: Not Reported Resource Address: 14th St. and Independence Ave. Resource Type: Building Location: Washington, DC County: District of Columbia, DC Primary Certification: Listed in the national register Certification Date: 19780427      Acreage: 20 Number of Buildings: 5      Number of Objects: 0 Number of Sites: 0      Num. of Structures: 0 Number of non-contributing Buildings: 0 Number of non-contributing Objects: 0 Number of non-contributing Sites: 0 Num. of non-contributing Structures: 0 Applicable Criteria: Event, Architecture/Engineering Areas of Significance: Politics/government, Architecture Current Function: Government Building Material: Terra cotta, None listed, Brick, Slate, Granite Other Names: Bureau of Engraving and Printing;West Outbuilding;Laundry an	78003051 National Register Hist. Places
------------------------------	--	--

# HISTORIC SITES MAP FINDINGS

Map ID Direction Distance Distance (ft.)		EDR ID Database
79  North 1/2-1 mi 3850	<p>Resource Name: Buildings at 1000 Block of Seventh Street, and 649-651 New York Avenue NW</p> <p>Alternate Name: Not Reported</p> <p>Resource Address: 1005-1035 7th St., and 649-651 New York Ave. NW</p> <p>Resource Type: Building</p> <p>Location: Washington, DC</p> <p>County: District of Columbia, DC</p> <p>Primary Certification: Listed in the national register</p> <p>Certification Date: 19840202      Acreage: 8</p> <p>Number of Buildings: 13      Number of Objects: 0</p> <p>Number of Sites: 0      Num. of Structures: 0</p> <p>Number of non-contributing Buildings: 0</p> <p>Number of non-contributing Objects: 0</p> <p>Number of non-contributing Sites: 0</p> <p>Num. of non-contributing Structures: 0</p> <p>Applicable Criteria: Architecture/Engineering</p> <p>Areas of Significance: Architecture</p> <p>Current Function: Commerce/trade</p> <p>Building Material: None listed, Brick, Wood, Iron</p>	84000861 National Register Hist. Places
80 NW 1/2-1 mi 3929	<p>Resource Name: Union Trust Building</p> <p>Alternate Name: Not Reported</p> <p>Resource Address: 740 15th St. NW</p> <p>Resource Type: Building</p> <p>Location: Washington, DC</p> <p>County: District of Columbia, DC</p> <p>Primary Certification: Listed in the national register</p> <p>Certification Date: 19840119      Acreage: 4</p> <p>Number of Buildings: 1      Number of Objects: 0</p> <p>Number of Sites: 0      Num. of Structures: 0</p> <p>Number of non-contributing Buildings: 0</p> <p>Number of non-contributing Objects: 0</p> <p>Number of non-contributing Sites: 0</p> <p>Num. of non-contributing Structures: 0</p> <p>Applicable Criteria: Event, Architecture/Engineering</p> <p>Areas of Significance: Commerce, Architecture</p> <p>Current Function: Commerce/trade</p> <p>Building Material: None listed, Concrete, Granite, Steel</p> <p>Other Names: First American Bank Building</p>	84000867 National Register Hist. Places

# HISTORIC SITES MAP FINDINGS

Map ID Direction Distance Distance (ft.)		EDR ID Database
81 East 1/2-1 mi	Resource Name: Capitol Hill Historic District Alternate Name: Not Reported Resource Address: Roughly bounded by Virginia Ave., SE., S. Capitol St., F St. NE., and 14th Sts. SE & NE.	76002127  National Register Hist. Places
3988	Resource Type: District Location: Washington, DC County: District of Columbia, DC Primary Certification: Listed in the national register Certification Date: 19760827      Acreage: 7100 Number of Buildings: 8200      Number of Objects: 0 Number of Sites: 0      Num. of Structures: 0 Number of non-contributing Buildings: 2 Number of non-contributing Objects: 0 Number of non-contributing Sites: 0 Num. of non-contributing Structures: 0 Applicable Criteria: Event, Architecture/Engineering Areas of Significance: Community planning and development, Military, Architecture Current Function: Domestic Building Material: Weatherboard, None listed, Brick, Slate, Wood Other Names: See Also: Marine Corps Commandant's House; U.S. Marine Barrack	
R82 NW 1/2-1 mi 4030	Resource Name: Tower Building Alternate Name: Not Reported Resource Address: 1401 K St., NW. Resource Type: Building Location: Washington, DC County: District of Columbia, DC Primary Certification: Listed in the national register Certification Date: 19950907      Acreage: 9 Number of Buildings: 1      Number of Objects: 0 Number of Sites: 0      Num. of Structures: 0 Number of non-contributing Buildings: 0 Number of non-contributing Objects: 0 Number of non-contributing Sites: 0 Num. of non-contributing Structures: 0 Applicable Criteria: Architecture/Engineering Areas of Significance: Architecture Current Function: Work in progress Building Material: Earth, Slate, Granite, Limestone, Bronze	95001084 National Register Hist. Places

# HISTORIC SITES MAP FINDINGS

Map ID Direction Distance Distance (ft.)		EDR ID Database
83 SW 1/2-1 mi	Resource Name: East and West Potomac Parks Alternate Name: Not Reported Resource Address: Bounded by Constitution Ave., 17th St., Independence Ave., Washington Channel, Potomac River, and Rock Creek Park	73000217  National Register Hist. Places
4042	Resource Type: District Location: Washington, DC County: District of Columbia, DC Primary Certification: Listed in the national register Certification Date: 19731130      Acreage: 3949 Number of Buildings: 3      Number of Objects: 9 Number of Sites: 5      Num. of Structures: 3 Number of non-contributing Buildings: 2 Number of non-contributing Objects: 0 Number of non-contributing Sites: 0 Num. of non-contributing Structures: 0 Applicable Criteria: Architecture/Engineering Areas of Significance: Landscape architecture, Architecture Current Function: Recreation and culture, Landscape, Landscape Building Material: Inapplicable Other Names: Potomac Flats	
U84 NNW 1/2-1 mi	Resource Name: Mount Vernon West Historic District Alternate Name: Not Reported Resource Address: Roughly bounded by Rhode Island Ave., 6th St., Massachusetts Ave., and Vermont Ave.	99001070  National Register Hist. Places
4089	Resource Type: District Location: Washington, DC County: District of Columbia, DC Primary Certification: Listed in the national register Certification Date: 19990909      Acreage: 1250 Number of Buildings: 599      Number of Objects: Not Reported Number of Sites: Not Reported      Num. of Structures: Not Reported Number of non-contributing Buildings: 106 Number of non-contributing Objects: Not Reported Number of non-contributing Sites: Not Reported Num. of non-contributing Structures: Not Reported Applicable Criteria: Event, Architecture/Engineering Areas of Significance: Architecture, Community planning and development, Social history, Black Current Function: Domestic, Commerce/trade, Religion Building Material: Stone, Weatherboard, Asphalt, Brick, Concrete, Limestone	

# HISTORIC SITES MAP FINDINGS

Map ID  
 Direction  
 Distance  
 Distance (ft.)

EDR ID  
 Database

85	Resource Name:	Morrison and Clark Houses	
NNW	Alternate Name:	Not Reported	90002149
1/2-1 mi	Resource Address:	1013--1015 L St., NW.	National Register Hist. Places
4197	Resource Type:	Building	
	Location:	Washington, DC	
	County:	District of Columbia, DC	
	Primary Certification:	Listed in the national register	
	Certification Date:	19910319	Acreage: 2
	Number of Buildings:	2	Number of Objects: 0
	Number of Sites:	0	Num. of Structures: 0
	Number of non-contributing Buildings:	0	
	Number of non-contributing Objects:	0	
	Number of non-contributing Sites:	0	
	Num. of non-contributing Structures:	0	
	Applicable Criteria:	Event, Architecture/Engineering	
	Areas of Significance:	Architecture, Social history	
	Current Function:	Domestic	
	Building Material:	Tin, Cast iron, Brick, Wood, Sandstone	
	Other Names:	Soldiers', Sailors' and Marines' Club; Soldiers', Sailors', Mari	

U86	Resource Name:	Mount Vernon West Historic District	
NNW	Alternate Name:	Not Reported	99001070
1/2-1 mi	Resource Address:	Roughly bounded by Rhode Island Ave., 6th St., Massachusetts Ave., and Vermont Ave.	National Register Hist. Places
4335	Resource Type:	District	
	Location:	Washington, DC	
	County:	District of Columbia, DC	
	Primary Certification:	Listed in the national register	
	Certification Date:	19990909	Acreage: 1250
	Number of Buildings:	599	Number of Objects: Not Reported
	Number of Sites:	Not Reported	Num. of Structures: Not Reported
	Number of non-contributing Buildings:	106	
	Number of non-contributing Objects:	Not Reported	
	Number of non-contributing Sites:	Not Reported	
	Num. of non-contributing Structures:	Not Reported	
	Applicable Criteria:	Event, Architecture/Engineering	
	Areas of Significance:	Architecture, Community planning and development, Social history, Black	
	Current Function:	Domestic, Commerce/trade, Religion	
	Building Material:	Stone, Weatherboard, Asphalt, Brick, Concrete, Limestone	



# HISTORIC SITES MAP FINDINGS

Map ID Direction Distance Distance (ft.)		EDR ID Database
R87 NW 1/2-1 mi 4346	<p>Resource Name: Champlain Apartment Building  Alternate Name: Apartment Buildings in Washington, DC, MPS  Resource Address: 1424 K St., NW.  Resource Type: Building  Location: Washington, DC  County: District of Columbia, DC  Primary Certification: Listed in the national register  Certification Date: 19940907      Acreage: 9  Number of Buildings: 1      Number of Objects: 0  Number of Sites: 0      Num. of Structures: 0  Number of non-contributing Buildings: 0  Number of non-contributing Objects: 0  Number of non-contributing Sites: 0  Num. of non-contributing Structures: 0  Applicable Criteria: Event, Architecture/Engineering  Areas of Significance: Community planning and development, Architecture  Current Function: Commerce/trade  Building Material: Marble, Concrete, Brick, None listed  Other Names: Orme Building</p>	94001042 National Register Hist. Places
T88 NW 1/2-1 mi 4421	<p>Resource Name: Ashburton House  Alternate Name: Not Reported  Resource Address: 1525 H St., NW.  Resource Type: Building  Location: Washington, DC  County: District of Columbia, DC  Primary Certification: Listed in the national register  Certification Date: 19731107      Acreage: 9  Number of Buildings: 1      Number of Objects: 0  Number of Sites: 0      Num. of Structures: 0  Number of non-contributing Buildings: 0  Number of non-contributing Objects: 0  Number of non-contributing Sites: 0  Num. of non-contributing Structures: 0  Applicable Criteria: Event  Areas of Significance: Politics/government  Current Function: Religion  Building Material: Stone, None listed, Iron, Sandstone  Other Names: St. John's Church Parish House;British Legation</p>	73002071 National Register Hist. Places

## HISTORIC SITES MAP FINDINGS

Map ID  
Direction  
Distance  
Distance (ft.)

EDR ID  
Database

89 NW 1/2-1 mi 4438	Resource Name: Macfeely, Gen. Robert, House Alternate Name: Not Reported Resource Address: 2015 I St., NW. Resource Type: Building Location: Washington, DC County: District of Columbia, DC Primary Certification: Listed in the national register Certification Date: 19890915      Acreage: 9 Number of Buildings: 1      Number of Objects: 0 Number of Sites: 0      Num. of Structures: 0 Number of non-contributing Buildings: 0 Number of non-contributing Objects: 0 Number of non-contributing Sites: 0 Num. of non-contributing Structures: 0 Applicable Criteria: Person, Architecture/Engineering Areas of Significance: Social history, Architecture Current Function: Social Building Material: Tin, Brick, Sandstone Other Names: Arts Club of Washington	89001214 National Register Hist. Places
------------------------------	---	--

90 NNE 1/2-1 mi 4500	Resource Name: Yale Steam Laundry Alternate Name: Not Reported Resource Address: 437-443 New York Ave., NW Resource Type: Building Location: Washington, DC County: District of Columbia, DC Primary Certification: Listed in the national register Certification Date: 19990318      Acreage: 9 Number of Buildings: 2      Number of Objects: Not Reported Number of Sites: Not Reported      Num. of Structures: Not Reported Number of non-contributing Buildings: Not Reported Number of non-contributing Objects: Not Reported Number of non-contributing Sites: Not Reported Num. of non-contributing Structures: Not Reported Applicable Criteria: Architecture/Engineering, Event Areas of Significance: Architecture, Industry, Commerce Current Function: Vacant/not in use Building Material: Other, Brick	99000332 National Register Hist. Places
-------------------------------	---	--

# HISTORIC SITES MAP FINDINGS

Map ID  
 Direction  
 Distance  
 Distance (ft.)

EDR ID  
 Database

T91 NW 1/2-1 mi 4574	Resource Name: St. John's Church Alternate Name: Not Reported Resource Address: 16th and H Sts., NW Resource Type: Building Location: Washington, DC County: District of Columbia, DC Primary Certification: Listed in the national register Certification Date: 19661015      Acreage: 5 Number of Buildings: 1      Number of Objects: 0 Number of Sites: 0      Num. of Structures: 0 Number of non-contributing Buildings: 0 Number of non-contributing Objects: 0 Number of non-contributing Sites: 0 Num. of non-contributing Structures: 0 Applicable Criteria: Event, Architecture/Engineering Areas of Significance: Architecture, Politics/government Current Function: Religion Building Material: Stucco, None listed, Brick Other Names: St. John's Church (Episcopal)	66000868 National Register Hist. Places
-------------------------------	---	--

92 NNW 1/2-1 mi 4573	Resource Name: Church of the Ascension Alternate Name: Not Reported Resource Address: 1215 Massachusetts Ave. NW Resource Type: Building Location: Washington, DC County: District of Columbia, DC Primary Certification: Listed in the national register Certification Date: 19840119      Acreage: 3 Number of Buildings: 1      Number of Objects: 0 Number of Sites: 0      Num. of Structures: 0 Number of non-contributing Buildings: 0 Number of non-contributing Objects: 0 Number of non-contributing Sites: 0 Num. of non-contributing Structures: 0 Applicable Criteria: Event, Architecture/Engineering Areas of Significance: Architecture, Religion Current Function: Religion Building Material: Stone, Marble, None listed, Sandstone Other Names: St. Agnes	84000863 National Register Hist. Places
-------------------------------	--	--

# HISTORIC SITES MAP FINDINGS

**Map ID**  
**Direction**  
**Distance**  
**Distance (ft.)**

**EDR ID**  
**Database**

93 North 1/2-1 mi 4698	Resource Name: Bruce, Blanche K., House Alternate Name: Not Reported Resource Address: 909 M St., NW Resource Type: Building Location: Washington, DC County: District of Columbia, DC Primary Certification: Listed in the national register Certification Date: 19750515      Acreage: 9 Number of Buildings: 1      Number of Objects: 0 Number of Sites: 0      Num. of Structures: 0 Number of non-contributing Buildings: 0 Number of non-contributing Objects: 0 Number of non-contributing Sites: 0 Num. of non-contributing Structures: 0 Applicable Criteria: Person Areas of Significance: Black, Politics/government, Social history Current Function: Domestic Building Material: Brick, Slate	75002046 National Register Hist. Places
---------------------------------	--	--

V94 West 1/2-1 mi 4734	Resource Name: Lockkeeper's House, C & O Canal Extension Alternate Name: Not Reported Resource Address: SW corner of 17th St. and Constitution Ave., NW. Resource Type: Building Location: Washington, DC County: District of Columbia, DC Primary Certification: Listed in the national register Certification Date: 19731130      Acreage: 9 Number of Buildings: 1      Number of Objects: 0 Number of Sites: 0      Num. of Structures: 0 Number of non-contributing Buildings: 0 Number of non-contributing Objects: 0 Number of non-contributing Sites: 0 Num. of non-contributing Structures: 0 Applicable Criteria: Event, Architecture/Engineering Areas of Significance: Commerce, Transportation, Architecture Current Function: Other Building Material: Stone, None listed, Granite	73000218 National Register Hist. Places
---------------------------------	---	--

# HISTORIC SITES MAP FINDINGS

Map ID  
 Direction  
 Distance  
 Distance (ft.)

EDR ID  
 Database

<p>W95          WNW          1/2-1 mi          4777</p>	<p>Resource Name: Executive Office Building          Alternate Name: Not Reported          Resource Address: Pennsylvania Ave. and 17th St., NW          Resource Type: Building          Location: Washington, DC          County: District of Columbia, DC          Primary Certification: Listed in the national register          Certification Date: 19690604      Acreage: 50          Number of Buildings: 1      Number of Objects: 0          Number of Sites: 0      Num. of Structures: 0          Number of non-contributing Buildings: 0          Number of non-contributing Objects: 0          Number of non-contributing Sites: 0          Num. of non-contributing Structures: 0          Applicable Criteria: Event, Architecture/Engineering          Areas of Significance: Military, Politics/government, Architecture          Current Function: Government          Building Material: None listed, Slate, Granite          Other Names: State, War and Navy Building</p>	<p>69000293          National Register Hist. Places</p>
---	--	---

<p>96          West          1/2-1 mi          4801</p>	<p>Resource Name: Memorial Continental Hall          Alternate Name: Not Reported          Resource Address: 17th St., between C and D Sts., NW          Resource Type: Building          Location: Washington, DC          County: District of Columbia, DC          Primary Certification: Listed in the national register          Certification Date: 19721128      Acreage: 3          Number of Buildings: 1      Number of Objects: 0          Number of Sites: 0      Num. of Structures: 0          Number of non-contributing Buildings: 0          Number of non-contributing Objects: 0          Number of non-contributing Sites: 0          Num. of non-contributing Structures: 0          Applicable Criteria: Event          Areas of Significance: Military          Current Function: Recreation and culture, Commerce/trade          Building Material: Marble, None listed          Other Names: Site of Washington Conference of 1921-22</p>	<p>72001427          National Register Hist. Places</p>
---	--	---

# HISTORIC SITES MAP FINDINGS

Map ID  
Direction  
Distance  
Distance (ft.)

EDR ID  
Database

X97 WNW 1/2-1 mi 4822	Resource Name: Carnegie Endowment for International Peace Alternate Name: Not Reported Resource Address: 700 Jackson Pl., NW Resource Type: Building Location: Washington, DC County: District of Columbia, DC Primary Certification: Listed in the national register Certification Date: 19740913      Acreage: 9 Number of Buildings: 0      Number of Objects: 0 Number of Sites: 0      Num. of Structures: 0 Number of non-contributing Buildings: 0 Number of non-contributing Objects: 0 Number of non-contributing Sites: 0 Num. of non-contributing Structures: 0 Applicable Criteria: Person Areas of Significance: Social history Current Function: Government Building Material: None listed, Brick, Wood, Sandstone Other Names: See Also:Lafayette Square Historic District	74002156 National Register Hist. Places
--------------------------------	---	--

Y98 West 1/2-1 mi 4906	Resource Name: American National Red Cross Alternate Name: Not Reported Resource Address: 17th and D Sts., NW Resource Type: Building Location: Washington, DC County: District of Columbia, DC Primary Certification: Listed in the national register Certification Date: 19661015      Acreage: 13 Number of Buildings: 1      Number of Objects: 0 Number of Sites: 0      Num. of Structures: 0 Number of non-contributing Buildings: 0 Number of non-contributing Objects: 0 Number of non-contributing Sites: 0 Num. of non-contributing Structures: 0 Applicable Criteria: Event Areas of Significance: Social history Current Function: Commerce/trade Building Material: Marble, None listed Other Names: American Red Cross National Headquarters	66000853 National Register Hist. Places
---------------------------------	---	--



# HISTORIC SITES MAP FINDINGS

Map ID  
 Direction  
 Distance  
 Distance (ft.)

EDR ID  
 Database

X99 WNW 1/2-1 mi 4915	Resource Name: American Peace Society Alternate Name: Not Reported Resource Address: 734 Jackson Pl., NW. Resource Type: Building Location: Washington, DC County: District of Columbia, DC Primary Certification: Listed in the national register Certification Date: 19740913      Acreage: 9 Number of Buildings: 0      Number of Objects: 0 Number of Sites: 0      Num. of Structures: 0 Number of non-contributing Buildings: 0 Number of non-contributing Objects: 0 Number of non-contributing Sites: 0 Num. of non-contributing Structures: 0 Applicable Criteria: Event Areas of Significance: Social history Current Function: Commerce/trade Building Material: None listed, Brick, Sandstone Other Names: See Also:Lafayette Square Historic District	74002155 National Register Hist. Places
--------------------------------	---	--

Y100 West 1/2-1 mi 4936	Resource Name: Corcoran Gallery of Art Alternate Name: Not Reported Resource Address: 17th St. at New York Ave., NW. Resource Type: Building Location: Washington, DC County: District of Columbia, DC Primary Certification: Listed in the national register Certification Date: 19710506      Acreage: 17 Number of Buildings: 1      Number of Objects: 0 Number of Sites: 0      Num. of Structures: 0 Number of non-contributing Buildings: 0 Number of non-contributing Objects: 0 Number of non-contributing Sites: 0 Num. of non-contributing Structures: 0 Applicable Criteria: Person, Event, Architecture/Engineering Areas of Significance: Architecture, Education, Art Current Function: Recreation and culture, Education Building Material: Glass, Stone, Marble, Copper, Granite	71000997 National Register Hist. Places
----------------------------------	--	--

# HISTORIC SITES MAP FINDINGS

Map ID  
Direction  
Distance  
Distance (ft.)

EDR ID  
Database

101 NE 1/2-1 mi 4944	Resource Name: St. Aloysius Catholic Church Alternate Name: Not Reported Resource Address: N. Capitol and I Sts., NW. Resource Type: Building Location: Washington, DC County: District of Columbia, DC Primary Certification: Listed in the national register Certification Date: 19730726      Acreage: 4 Number of Buildings: 1      Number of Objects: 0 Number of Sites: 0      Num. of Structures: 0 Number of non-contributing Buildings: 0 Number of non-contributing Objects: 0 Number of non-contributing Sites: 0 Num. of non-contributing Structures: 0 Applicable Criteria: Architecture/Engineering Areas of Significance: Architecture Current Function: Religion Building Material: None listed, Brick, Copper, Sandstone	73002116 National Register Hist. Places
-------------------------------	--	--

102 WNW 1/2-1 mi 4946	Resource Name: US Chamber of Commerce Building Alternate Name: Not Reported Resource Address: 1615 H St., NW. Resource Type: Building Location: Washington, DC County: District of Columbia, DC Primary Certification: Listed in the national register Certification Date: 19920513      Acreage: 9 Number of Buildings: 1      Number of Objects: 0 Number of Sites: 0      Num. of Structures: 0 Number of non-contributing Buildings: 0 Number of non-contributing Objects: 0 Number of non-contributing Sites: 0 Num. of non-contributing Structures: 0 Applicable Criteria: Event, Architecture/Engineering Areas of Significance: Commerce, Politics/government, Architecture Current Function: Commerce/trade, Industry/processing/extraction Building Material: None listed, Brick, Granite, Limestone	92000499 National Register Hist. Places
--------------------------------	---	--

## HISTORIC SITES MAP FINDINGS

Map ID  
 Direction  
 Distance  
 Distance (ft.)

EDR ID  
 Database

V103 West 1/2-1 mi 4954	Resource Name: Pan American Union Alternate Name: Not Reported Resource Address: 17th St. between C St. and Constitution Ave., NW. Resource Type: Building Location: Washington, DC County: District of Columbia, DC Primary Certification: Listed in the national register Certification Date: 19690604      Acreage: 0 Number of Buildings: 2      Number of Objects: 0 Number of Sites: 0      Num. of Structures: 1 Number of non-contributing Buildings: 0 Number of non-contributing Objects: 0 Number of non-contributing Sites: 0 Num. of non-contributing Structures: 0 Applicable Criteria: Event, Architecture/Engineering Areas of Significance: Commerce, Education, Architecture, Politics/government, Social history Current Function: Education, Recreation and culture, Commerce/trade, Social Building Material: Marble, Stucco, Ceramic tile, None listed, Iron, Bronze Other Names: International Union of the American Republics	69000298 National Register Hist. Places
----------------------------------	---	--

Z104 NW 1/2-1 mi 4973	Resource Name: Carlton Hotel Alternate Name: Not Reported Resource Address: 923 16th St., NW. Resource Type: Building Location: Washington, DC County: District of Columbia, DC Primary Certification: Listed in the national register Certification Date: 19900628      Acreage: 9 Number of Buildings: 1      Number of Objects: 0 Number of Sites: 0      Num. of Structures: 0 Number of non-contributing Buildings: 0 Number of non-contributing Objects: 0 Number of non-contributing Sites: 0 Num. of non-contributing Structures: 0 Applicable Criteria: Architecture/Engineering Areas of Significance: Architecture Current Function: Domestic Building Material: Other, Concrete, None listed, Limestone Other Names: Sheraton Carlton Hotel	90000911 National Register Hist. Places
--------------------------------	---	--

# HISTORIC SITES MAP FINDINGS

Map ID  
Direction  
Distance  
Distance (ft.)

EDR ID  
Database

U105 NNW 1/2-1 mi 5005	Resource Name: Plymouth, The Alternate Name: Not Reported Resource Address: 1236 Eleventh St. NW Resource Type: Building Location: Washington, DC County: District of Columbia, DC Primary Certification: Listed in the national register Certification Date: 19860602      Acreage: 2 Number of Buildings: 1      Number of Objects: 0 Number of Sites: 0      Num. of Structures: 0 Number of non-contributing Buildings: 0 Number of non-contributing Objects: 0 Number of non-contributing Sites: 0 Num. of non-contributing Structures: 0 Applicable Criteria: Architecture/Engineering Areas of Significance: Architecture Current Function: Vacant/not in use Building Material: None listed, Brick, Iron, Limestone	86001242 National Register Hist. Places
---------------------------------	--	--

106 WSW 1/2-1 mi 5011	Resource Name: St. Matthew's Cathedral And Rectory Alternate Name: Not Reported Resource Address: 1725--1739 Rhode Island Ave., NW. Resource Type: Building Location: Washington, DC County: District of Columbia, DC Primary Certification: Listed in the national register Certification Date: 19740124      Acreage: 7 Number of Buildings: 2      Number of Objects: 0 Number of Sites: 0      Num. of Structures: 0 Number of non-contributing Buildings: 0 Number of non-contributing Objects: 0 Number of non-contributing Sites: 0 Num. of non-contributing Structures: 0 Applicable Criteria: Event, Architecture/Engineering Areas of Significance: Architecture, Religion Current Function: Religion Building Material: Terra cotta, Stone, Concrete, Brick, Copper, Sandstone Other Names: St. Matthew's Catholic Church and Rectory	74002173 National Register Hist. Places
--------------------------------	--	--

# HISTORIC SITES MAP FINDINGS

Map ID  
Direction  
Distance  
Distance (ft.)

EDR ID  
Database

107 ENE 1/2-1 mi 5027	Resource Name: Union Station Plaza and Columbus Fountain Alternate Name: Not Reported Resource Address: 1st St., Massachusetts and Louisiana Aves., NE Resource Type: Structure Location: Washington, DC County: District of Columbia, DC Primary Certification: Listed in the national register Certification Date: 19800409      Acreage: 95 Number of Buildings: 0      Number of Objects: 0 Number of Sites: 0      Num. of Structures: 2 Number of non-contributing Buildings: 0 Number of non-contributing Objects: 0 Number of non-contributing Sites: 0 Num. of non-contributing Structures: 0 Applicable Criteria: Architecture/Engineering Areas of Significance: Art Current Function: Recreation and culture, Landscape Building Material: Inapplicable, Granite, Iron Other Names: See Also:Union Station	80004523 National Register Hist. Places
--------------------------------	--	--

X108 WNW 1/2-1 mi 5033	Resource Name: Decatur House Alternate Name: Not Reported Resource Address: 748 Jackson Pl., NW. Resource Type: Building Location: Washington, DC County: District of Columbia, DC Primary Certification: Listed in the national register Certification Date: 19661015      Acreage: 5 Number of Buildings: 1      Number of Objects: 0 Number of Sites: 0      Num. of Structures: 0 Number of non-contributing Buildings: 0 Number of non-contributing Objects: 0 Number of non-contributing Sites: 0 Num. of non-contributing Structures: 0 Applicable Criteria: Architecture/Engineering, Person Areas of Significance: Military, Architecture, Politics/government Current Function: Recreation and culture Building Material: Stone, Brick, Slate, Wood	66000858 National Register Hist. Places
---------------------------------	--	--

# HISTORIC SITES MAP FINDINGS

Map ID  
 Direction  
 Distance  
 Distance (ft.)

EDR ID  
 Database

X109 WNW 1/2-1 mi 5036	Resource Name: Renwick Museum Alternate Name: Not Reported Resource Address: NE corner, 17th St. and Pennsylvania Ave., NW Resource Type: Building Location: Washington, DC County: District of Columbia, DC Primary Certification: Listed in the national register Certification Date: 19690324      Acreage: 0 Number of Buildings: 1      Number of Objects: 0 Number of Sites: 0      Num. of Structures: 0 Number of non-contributing Buildings: 0 Number of non-contributing Objects: 0 Number of non-contributing Sites: 0 Num. of non-contributing Structures: 0 Applicable Criteria: Architecture/Engineering Areas of Significance: Architecture Current Function: Recreation and culture Building Material: None listed, Brick, Slate, Iron, Sandstone Other Names: Old Corcoran Art Gallery	69000300 National Register Hist. Places
---------------------------------	---	--

110 NNW 1/2-1 mi 5042	Resource Name: Penland, W. H., & Company Alternate Name: Not Reported Resource Address: 1211--1219 13th St., NW. Resource Type: Building Location: Washington, DC County: District of Columbia, DC Primary Certification: Listed in the national register Certification Date: 19941229      Acreage: 9 Number of Buildings: 1      Number of Objects: 0 Number of Sites: 0      Num. of Structures: 0 Number of non-contributing Buildings: 0 Number of non-contributing Objects: 0 Number of non-contributing Sites: 0 Num. of non-contributing Structures: 0 Applicable Criteria: Event, Architecture/Engineering Areas of Significance: Architecture, Transportation Current Function: Transportation, Commerce/trade Building Material: Tin, Concrete, Brick, None listed Other Names: Mount Vernon Stables;Proctor Alley Livery Stable	94001510 National Register Hist. Places
--------------------------------	---	--



# HISTORIC SITES MAP FINDINGS

Map ID  
 Direction  
 Distance  
 Distance (ft.)

EDR ID  
 Database

W111 WNW 1/2-1 mi 5077	Resource Name: Winder Building Alternate Name: Not Reported Resource Address: 604 17th St., NW. Resource Type: Building Location: Washington, DC County: District of Columbia, DC Primary Certification: Listed in the national register Certification Date: 19690324      Acreage: 0 Number of Buildings: 1      Number of Objects: 0 Number of Sites: 0      Num. of Structures: 0 Number of non-contributing Buildings: 0 Number of non-contributing Objects: 0 Number of non-contributing Sites: 0 Num. of non-contributing Structures: 0 Applicable Criteria: Event Areas of Significance: Military, Politics/government Current Function: Government Building Material: Marble, Brick, None listed	69000303 National Register Hist. Places
---------------------------------	---	--

Z112 NW 1/2-1 mi 5095	Resource Name: United Mine Workers of America Alternate Name: Not Reported Resource Address: 900 Fifteenth St. NW Resource Type: Building Location: Washington, DC County: District of Columbia, DC Primary Certification: Listed in the national register Certification Date: 20000913      Acreage: 9 Number of Buildings: 1      Number of Objects: Not Reported Number of Sites: Not Reported      Num. of Structures: Not Reported Number of non-contributing Buildings: Not Reported Number of non-contributing Objects: Not Reported Number of non-contributing Sites: Not Reported Num. of non-contributing Structures: Not Reported Applicable Criteria: Event, Person, Architecture/Engineering Areas of Significance: Social history, Architecture, Politics/government Current Function: Commerce/trade Building Material: Concrete, Brick, Limestone Other Names: University Club	00001032 National Register Hist. Places
--------------------------------	--	--

# HISTORIC SITES MAP FINDINGS

Map ID Direction Distance Distance (ft.)		EDR ID Database
113 SW 1/2-1 mi 5130	Resource Name: Thomas Jefferson Memorial Alternate Name: Not Reported Resource Address: S bank of the Tidal Basin Resource Type: Structure Location: Washington, DC County: District of Columbia, DC Primary Certification: Listed in the national register Certification Date: 19661015      Acreage: 140 Number of Buildings: 0      Number of Objects: 1 Number of Sites: 0      Num. of Structures: 1 Number of non-contributing Buildings: 0 Number of non-contributing Objects: 0 Number of non-contributing Sites: 0 Num. of non-contributing Structures: 0 Applicable Criteria: Architecture/Engineering, Person Areas of Significance: Landscape architecture, Architecture, Politics/government Current Function: Recreation and culture, Landscape Building Material: Concrete, Granite, Limestone	66000029 National Register Hist. Places
114 ENE 1/2-1 mi 5135	Resource Name: Union Station Alternate Name: Not Reported Resource Address: Intersection of Massachusetts and Louisiana Aves. and 1st St., NE. Resource Type: Building Location: Washington, DC County: District of Columbia, DC Primary Certification: Listed in the national register Certification Date: 19690324      Acreage: 9 Number of Buildings: 1      Number of Objects: 0 Number of Sites: 0      Num. of Structures: 0 Number of non-contributing Buildings: 0 Number of non-contributing Objects: 0 Number of non-contributing Sites: 0 Num. of non-contributing Structures: 0 Applicable Criteria: Event Areas of Significance: Transportation Current Function: Transportation Building Material: Terra cotta, None listed, Brick, Granite Other Names: See Also: Union Station Plaza and Columbus Fountain	69000302 National Register Hist. Places



# HISTORIC SITES MAP FINDINGS

Map ID  
Direction  
Distance  
Distance (ft.)

EDR ID  
Database

AA117 NNE 1/2-1 mi 5224	Resource Name: M Street High School Alternate Name: Not Reported Resource Address: 128 M St. NW Resource Type: Building Location: Washington, DC County: District of Columbia, DC Primary Certification: Listed in the national register Certification Date: 19861023      Acreage: 9 Number of Buildings: 1      Number of Objects: 0 Number of Sites: 0      Num. of Structures: 0 Number of non-contributing Buildings: 0 Number of non-contributing Objects: 0 Number of non-contributing Sites: 0 Num. of non-contributing Structures: 0 Applicable Criteria: Event Areas of Significance: Education Current Function: Vacant/not in use Building Material: Terra cotta, Stone, None listed, Brick Other Names: Perry School	86002924 National Register Hist. Places
----------------------------------	---	--

118 East 1/2-1 mi 5257	Resource Name: Bayly, Mountjoy, House Alternate Name: Not Reported Resource Address: 122 Maryland Ave., NE Resource Type: Building Location: Washington, DC County: District of Columbia, DC Primary Certification: Listed in the national register Certification Date: 19730720      Acreage: 9 Number of Buildings: 1      Number of Objects: 0 Number of Sites: 0      Num. of Structures: 0 Number of non-contributing Buildings: 0 Number of non-contributing Objects: 0 Number of non-contributing Sites: 0 Num. of non-contributing Structures: 0 Applicable Criteria: Architecture/Engineering, Person Areas of Significance: Architecture, Politics/government Current Function: Commerce/trade Building Material: Stone, Stucco, Brick, Slate Other Names: Johnson,Hiram,House;Chaplains Memorial Building;Parkington	73002072 National Register Hist. Places
---------------------------------	---	--

## UNMAPPABLE HISTORIC SITES

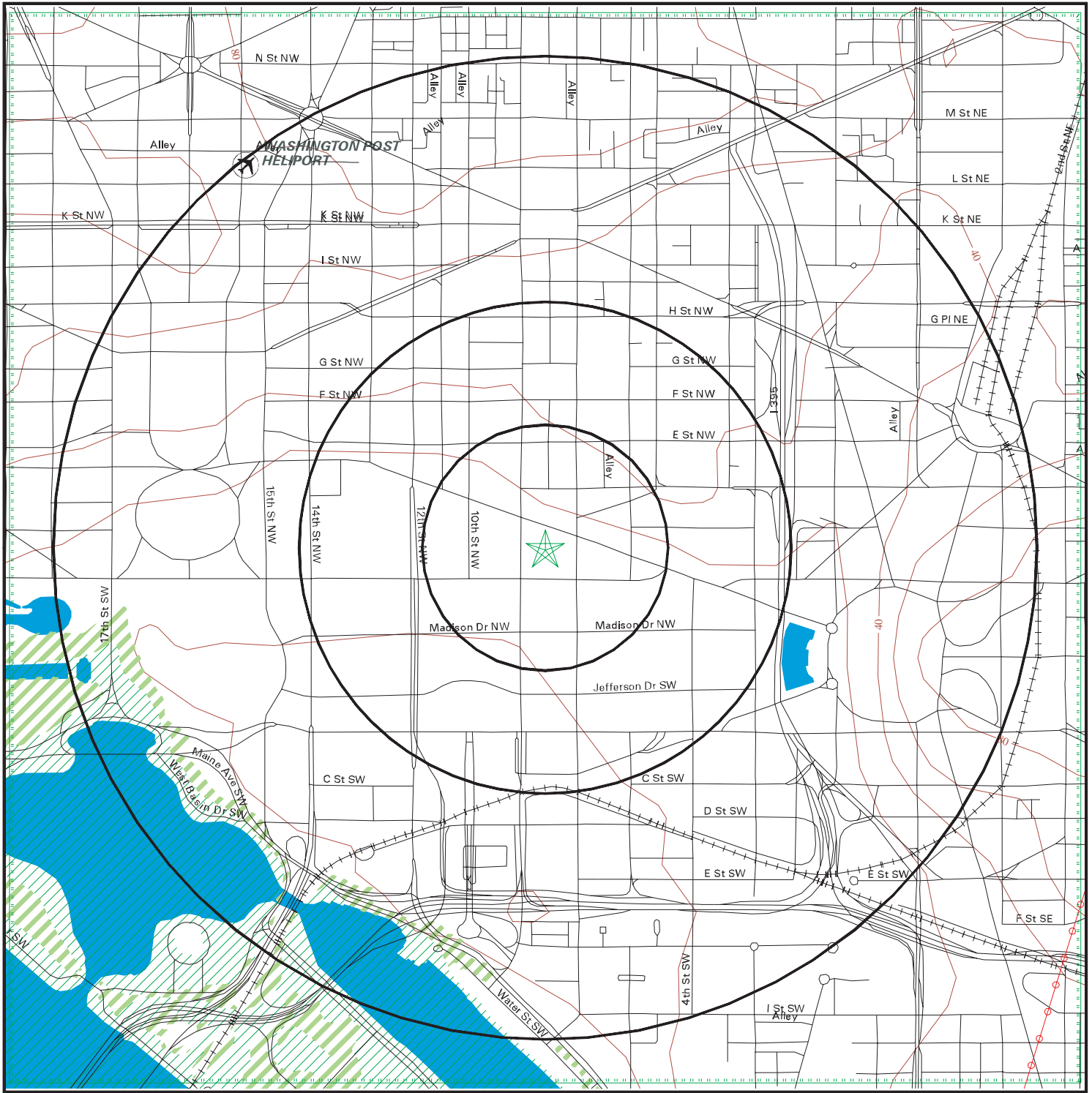
Due to poor or inadequate address information, the following sites were not mapped:

Status  
EDR ID  
Database

---

No unmapped sites were found in EDR's search of available government records.

# Flood Plain Map



- |  |                 |  |                                |  |                                    |
|--|-----------------|--|--------------------------------|--|------------------------------------|
|  | Major Roads     |  | Power Lines                    |  | Water                              |
|  | Contour Lines   |  | Pipe Lines                     |  | 100-year flood zone                |
|  | Waterways       |  | Fault Lines                    |  | 500-year flood zone                |
|  | County Boundary |  | Electronic FEMA data available |  | Electronic FEMA data not available |
|  | Airports        |  |                                |  |                                    |

SITE NAME: National Archives  
 ADDRESS: 700 Pennsylvania Avenue, N.W.  
 Washington DC 20004  
 LAT/LONG: 38.8930 / 77.0231

CLIENT: PSI, Inc.  
 CONTACT: William Thomas  
 INQUIRY #: 2381455.1s  
 DATE: December 11, 2008

# FLOOD PLAIN MAP FINDINGS

Source: FEMA Q3 Flood Data

County

FEMA flood data electronic coverage

WASHINGTON, DC

YES

Flood Plain panel at target property:

1100010020B

Additional Flood Plain panel(s) in search area:

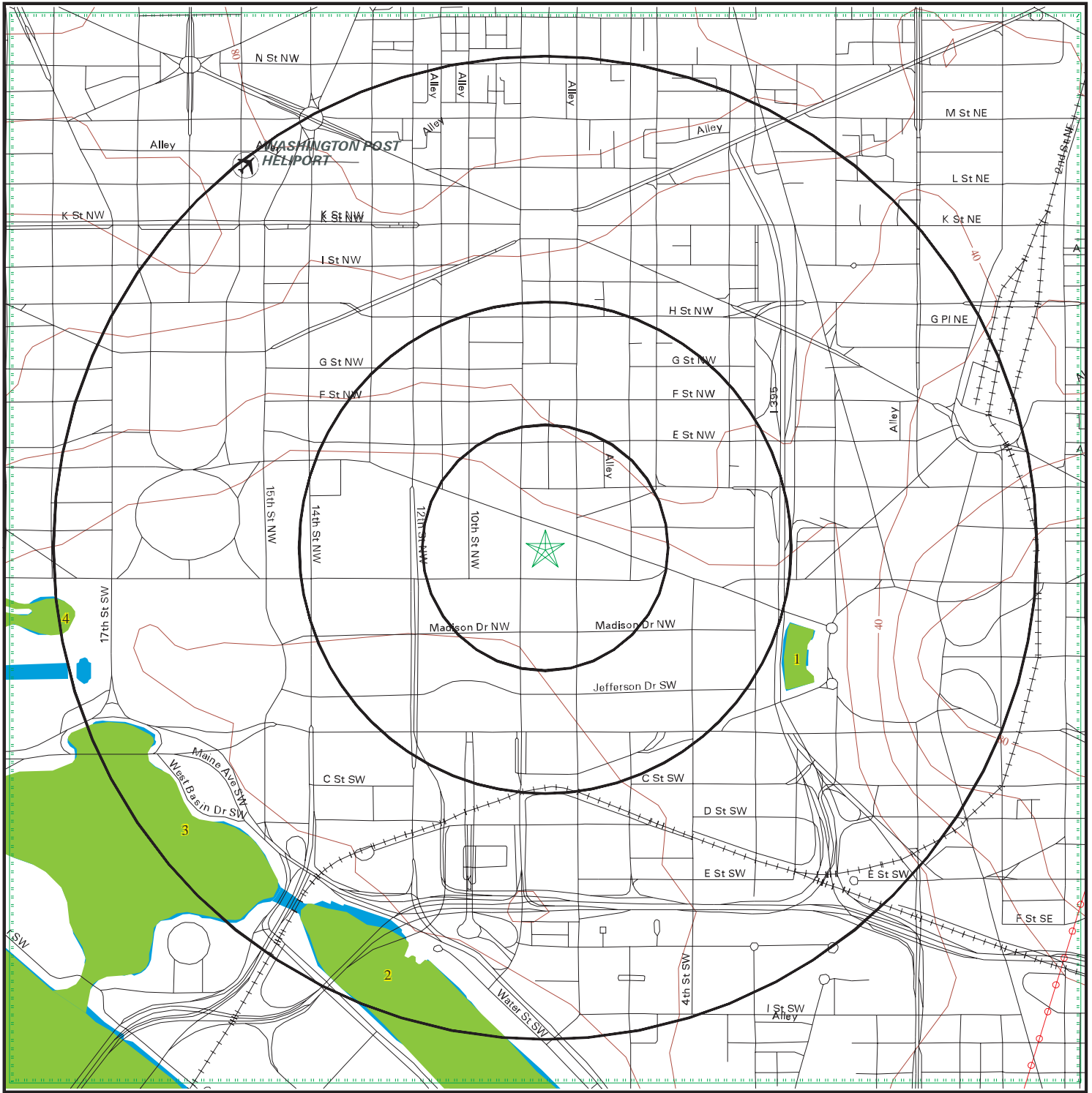
1100010015B

1100010030B

1100010025B



# National Wetlands Inventory Map



- |  |                 |  |                                   |  |                               |
|--|-----------------|--|-----------------------------------|--|-------------------------------|
|  | Major Roads     |  | Power Lines                       |  | Water                         |
|  | Contour Lines   |  | Pipe Lines                        |  | National Wetland Inventory    |
|  | Waterways       |  | Fault Lines                       |  | Electronic NWI data available |
|  | County Boundary |  | Electronic NWI data not available |  |                               |
|  | Airports        |  |                                   |  |                               |

SITE NAME: National Archives  
 ADDRESS: 700 Pennsylvania Avenue, N.W.  
 Washington DC 20004  
 LAT/LONG: 38.8930 / 77.0231

CLIENT: PSI, Inc.  
 CONTACT: William Thomas  
 INQUIRY #: 2381455.1s  
 DATE: December 11, 2008

TC2381455.1s Page 68 of 112

## WETLANDS MAP FINDINGS

Source: Fish and Wildlife Service NWI data

NWI hardcopy map at target property: Washington West

Additional NWI hardcopy map(s) in search area:

Not reported in source data

Map ID

Direction

Distance

Distance (ft.)

Code and Description\*

Database

Map ID	Direction	Distance	Distance (ft.)	Code and Description*	Database
1	ESE	1/2-1 mi	2745	PUBHx [P] Palustrine, [UB] Unconsolidated Bottom, [H] Permanently Flooded, [x] Excavated	NWI
2	SSW	1/2-1 mi	4433	R1UBV [R] Riverine, [1] Tidal, [UB] Unconsolidated Bottom, [V] Permenant-Tidal	NWI
3	SW	1/2-1 mi	4435	L1UBH [L] Lacustrine, [1] Limnetic, [UB] Unconsolidated Bottom, [H] Permanently Flooded	NWI
4	West	1/2-1 mi	5092	PUBHx [P] Palustrine, [UB] Unconsolidated Bottom, [H] Permanently Flooded, [x] Excavated	NWI

\*See Wetland Classification System for additional information.

# WETLANDS CLASSIFICATION SYSTEM

National Wetland Inventory Maps are produced by the U.S. Fish and Wildlife Service, a sub-department of the U.S. Department of the Interior. In 1974, the U.S. Fish and Wildlife Service developed a criteria for wetland classification with four long range objectives:

- to describe ecological units that have certain homogeneous natural attributes,
- to arrange these units in a system that will aid decisions about resource management,
- to furnish units for inventory and mapping, and
- to provide uniformity in concepts and terminology throughout the U.S.

High altitude infrared photographs, soil maps, topographic maps and site visits are the methods used to gather data for the productions of these maps. In the infrared photos, wetlands appear as different colors and these wetlands are then classified by type. Using a hierarchical classification, the maps identify wetland and deepwater habitats according to:

- system
- subsystem
- class
- subclass
- modifiers

(as defined by Cowardin, et al. U.S. Fish and Wildlife Service FWS/OBS 79/31. 1979.)

The classification system consists of five systems:

1. marine
2. estuarine
3. riverine
4. lacustrine
5. palustrine

The marine system consists of deep water tidal habitats and adjacent tidal wetlands. The riverine system consists of all wetlands contained within a channel. The lacustrine systems includes all nontidal wetlands related to swamps, bogs & marshes. The estuarine system consists of deepwater tidal habitats and where ocean water is diluted by fresh water. The palustrine system includes nontidal wetlands dominated by trees and shrubs and where salinity is below .5% in tidal areas. All of these systems are divided in subsystems and then further divided into class.

National Wetland Inventory Maps are produced by transferring gathered data on a standard 7.5 minute U.S.G.S. topographic map. Approximately 52 square miles are covered on a National Wetland Inventory map at a scale of 1:24,000. Electronic data is compiled by digitizing these National Wetland Inventory Maps.

**SYSTEM**

**MARINE**

**SUBSYSTEM**

**1 - SUBTIDAL**

**2 - INTERTIDAL**

CLASS	RB-ROCK BOTTOM	UB-UNCONSOLIDATED BOTTOM	AB-AQUATIC BED	RF-REEF	OW-OPEN WATER /	AB-AQUATIC BED	RF-REEF	RS-ROCKY SHORE	US-UNCONSOLIDATED SHORE
Subclass	1 Bedrock 2 Rubble	1 Cobble-Gravel 2 Sand 3 Mud 4 Organic	1 Algal 3 Rooted Vascular 5 Unknown Submergent	1 Worm	Unknown Bottom	1 Algal 3 Rooted Vascular 5 Unknown Submergent	1 Coral 1 Worm	2 Rubble 1 Bedrock	1 Cobble-Gravel  2 Sand 3 Mud 4 Organic

**SYSTEM**

**E - ESTUARINE**

**SUBSYSTEM**

**1 - SUBTIDAL**

CLASS	RB-ROCK BOTTOM	UB-UNCONSOLIDATED BOTTOM	AB-AQUATIC BED	RF-REEF	OW-OPEN WATER / Unknown Bottom
Subclass	1 Bedrock 2 Rubble	1 Cobble-Gravel 2 Sand 3 Mud 4 Organic	1 Algal 3 Rooted Vascular 4 Floating Vascular 5 Unknown Submergent 6 Unknown Surface	2 Mollusk 3 Worm	

**SUBSYSTEM**

**2 - INTERTIDAL**

CLASS	AB-AQUATIC BED	RF-REEF	SB - STREAMBED	RS-ROCKY SHORE	US-UNCONSOLIDATED SHORE	EM-EMERGENT	SS-SCRUB SHRUB	FO-FORESTED
Subclass	1 Algal 3 Rooted Vascular 4 Floating Vascular 5 Unknown Submergent 6 Unknown Surface	2 Mollusk 3 Worm	1 Cobble-Gravel 2 Sand 3 Mud 4 Organic	1 Bedrock 2 Rubble	1 Cobble-Gravel 2 Sand 3 Mud 4 Organic	1 Persistent 2 Nonpersistent	1 Broad-Leaved Deciduous 2 Needle-Leaved Deciduous 3 Broad-Leaved Evergreen 4 Needle-Leaved Evergreen 5 Dead 6 Deciduous 7 Evergreen	1 Broad-Leaved Deciduous 2 Needle-Leaved Deciduous 3 Broad-Leaved Evergreen 4 Needle-Leaved Evergreen 5 Dead 6 Deciduous 7 Evergreen

**SYSTEM**

**R - RIVERINE**

**SUBSYSTEM**

**1 - TIDAL      2 - LOWER PERENNIAL      3 - UPPER PERENNIAL      4 - INTERMITTENT      5 - UNKNOWN PERENNIAL**

CLASS	RB-ROCK BOTTOM	UB-UNCONSOLIDATED BOTTOM	*SB-STREAMBED	AB-AQUATIC BED	RS-ROCKY SHORE	US-UNCONSOLIDATED SHORE	**EM-EMERGENT	OW-OPEN WATER/ Unknown Bottom
Subclass	1 Bedrock 2 Rubble	1 Cobble-Gravel 2 Sand 3 Mud 4 Organic	1 Bedrock 2 Rubble 3 Cobble-Gravel 4 Sand 5 Mud 6 Organic 7 Vegetated	1 Algal 2 Aquatic Moss 3 Rooted Vascular 4 Floating Vascular 5 Unknown Submergent 6 Unknown Surface	1 Bedrock 2 Rubble	1 Cobble-Gravel 2 Sand 3 Mud 4 Organic 5 Vegetated	2 Nonpersistent	

\* STREAMBED is limited to TIDAL and INTERMITTENT SUBSYSTEMS, and comprises the only CLASS in the INTERMITTENT SUBSYSTEM.  
 \*\*EMERGENT is limited to TIDAL and LOWER PERENNIAL SUBSYSTEMS.

**SYSTEM**

**L - LACUSTRINE**

**SUBSYSTEM**

**1 - LIMNETIC**

CLASS	RB-ROCK BOTTOM	UB-UNCONSOLIDATED BOTTOM	AB-AQUATIC BED	OW-OPEN WATER/ Unknown Bottom
Subclass	1 Bedrock 2 Rubble	1 Cobble-Gravel 2 Sand 3 Mud 4 Organic	1 Algal 2 Aquatic Moss 3 Rooted Vascular 4 Floating Vascular 5 Unknown Submergent 6 Unknown Surface	

**SUBSYSTEM**

**2 - LITTORAL**

CLASS	RB-ROCK BOTTOM	UB-UNCONSOLIDATED BOTTOM	AB-AQUATIC BED	RS-ROCKY SHORE	US-UNCONSOLIDATED SHORE	EM-EMERGENT	OW-OPEN WATER/ Unknown Bottom
Subclass	1 Bedrock 2 Rubble	1 Cobble-Gravel 2 Sand 3 Mud 4 Organic	1 Algal 2 Aquatic Moss 3 Rooted Vascular 4 Floating Vascular 5 Unknown Submergent 6 Unknown Surface	1 Bedrock 2 Rubble	1 Cobble-Gravel 2 Sand 3 Mud 4 Organic 5 Vegetated	2 Nonpersistent	

**SUBSYSTEM**

**P - PALUSTRINE**

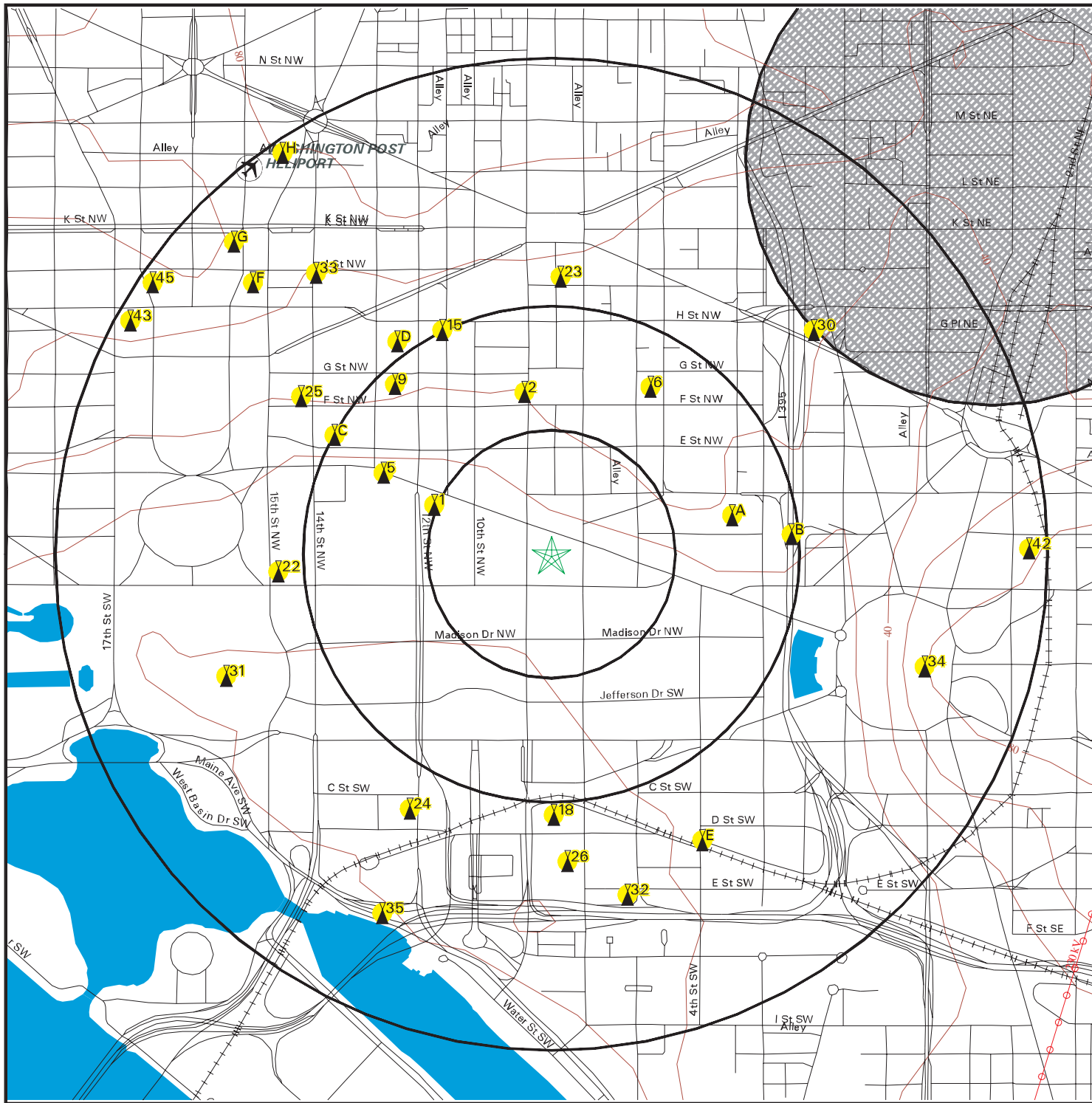
CLASS	RB--ROCK BOTTOM	UB--UNCONSOLIDATED BOTTOM	AB-AQUATIC BED	US--UNCONSOLIDATED SHORE	ML--MOSS- LICHEN	EM--EMERGENT	SS--SCRUB-SHRUB	FO--FORESTED	OW-OPEN WATER/ Unknown
Subclass	1 Bedrock 2 Rubble 3 Mud 4 Organic	1 Cobble-Gravel 2 Sand	1 Algal 2 Aquatic Moss 3 Rooted Vascular 4 Floating Vascular 5 Unknown 6 Unknown Surface	1 Cobble-Gravel 2 Sand 3 Mud 4 Organic 5 Vegetated	1 Moss 2 Lichen	1 Persistent 2 Nonpersistent	1 Broad-Leaved 2 Needle-Leaved 3 Broad-Leaved 4 Needle-Leaved 5 Dead 6 Deciduous 7 Evergreen	1 Broad-Leaved 2 Needle-Leaved 3 Broad-Leaved 4 Needle-Leaved 5 Dead 6 Deciduous 7 Evergreen	

**MODIFIERS**

In order to more adequately describe wetland and deepwater habitats one or more of the water regime, water chemistry, soil, or special modifiers may be applied at the class or lower level in the hierarchy. The farmed modifier may also be applied to the ecological system.

WATER REGIME				WATER CHEMISTRY			SOIL	SPECIAL MODIFIERS
Non-Tidal	Tidal	Coastal	Inland	Salinity	pH	Modifiers		
A Temporarily Flooded	H Permanently Flooded	K Artificially Flooded	*S Temporary-Tidal	1 Hyperhaline	7 Hypersaline	<b>all Fresh Water</b>	g Organic	b Beaver
B Saturated	J Intermittently Flooded	L Subtidal	*R Seasonal-Tidal	2 Euhaline	8 Eusaline	a Acid	n Mineral	d Partially Drained/Ditched
C Seasonally Flooded	K Artificially Flooded	M Irregularly Exposed	*T Semipermanent -Tidal	3 Mixohaline (Brackish)	9 Mixosaline	t Circumneutral		f Farmed
D Seasonally Flooded/ Well Drained	W Intermittently Flooded/Temporary	N Regularly Flooded	V Permanent -Tidal	4 Polyhaline	0 Fresh	i Alkaline		h Diked/Impounded
E Seasonally Flooded/ Saturated	Y Saturated/Semipermanent/ Seasonal	P Irregularly Flooded	U Unknown	5 Mesohaline				r Artificial Substrate
F Semipermanently Flooded	Z Intermittently Exposed/Permanent	*These water regimes are only used in tidally influenced, freshwater systems.			6 Oligohaline			s Spoil
G Intermittently Exposed	U Unknown			0 Fresh				x Excavated

# FCC & FAA Sites Map



- Streets
- Contour Lines
- County Boundary
- Waterways
- Power Lines
- Water
- Airports
- Sites
- Omni Directional AM Interference
- Directional AM Interference

**SITE NAME:** National Archives  
**ADDRESS:** 700 Pennsylvania Avenue, N.W.  
 Washington DC 20004  
**LAT/LONG:** 38.8930 / 77.0231

**CLIENT:** PSI, Inc.  
**CONTACT:** William Thomas  
**INQUIRY #:** 2381455.1s  
**DATE:** December 11, 2008

TC2381455.1s Page 74 of 112



# FCC & FAA SITES MAP FINDINGS TOWERS

Map ID  
Direction  
Distance  
Distance (ft.)

EDR ID  
Database

1				DOF10000072010
WNW				FAA DOF
1/4-1/2 mi				
1352				
Nacg code:	09	Obs number:	0038	
O or u:	O	State id:	DC	
City name:	WASHINGTON	Latdeg:	38	
Latmin:	53			
Latsec:	40	Longdeg:	77	
Lat hemi:	N			
Longmin:	1			
Longsec:	39			
Long hemi:	W	Obs type:	BLDG	
Frequency:	Not Reported	Agl ht:	0314	
Amsl ht:	00324	Strobe ind:	N	
Acc h:	1	Acc v:	A	
Mark ind:	N	Faa stdy n:	99OC0443	
Act acd dt:	C90113	Datchk cd:	228516	
Dat file:	AEA	Site id:	DOF10000072010	

2				DOF10000072034
North				FAA DOF
1/4-1/2 mi				
1750				
Nacg code:	09	Obs number:	0063	
O or u:	O	State id:	DC	
City name:	WASHINGTON	Latdeg:	38	
Latmin:	53			
Latsec:	51.86	Longdeg:	77	
Lat hemi:	N			
Longmin:	1			
Longsec:	26.88			
Long hemi:	W	Obs type:	BLDG	
Frequency:	Not Reported	Agl ht:	0134	
Amsl ht:	00170	Strobe ind:	N	
Acc h:	1	Acc v:	A	
Mark ind:	N	Faa stdy n:	03EA1776	
Act acd dt:	CA4207	Datchk cd:	229811	
Dat file:	AEA	Site id:	DOF10000072034	

# FCC & FAA SITES MAP FINDINGS TOWERS

Map ID  
Direction  
Distance  
Distance (ft.)

EDR ID  
Database

A3  
ENE  
1/4-1/2 mi  
1827

ANT10000009129  
ANTREG

Tower ID:	100937		
Address:	300 INDIANA AV NW, WASHINGTON, DC		
Lat (NAD 27):	385339	Lon (NAD 27):	0770102
Lat (NAD 83):		Lon (NAD 83):	
Construction Date:	99/99/1999	Dismantled Date:	
Nepa Flag:		FAA ID:	89-AEA-303-OE
Structure Type:	BTW	Elevation (M):	63.4000
Structure Hgt (M):	51.2000	Hgt Above Ground:	
Hgt Above Ground (M):		Hgt Above Mean Sea Level (M):	
Date Activated:	Sep 13 1989	License Issue Date:	
Date Keyed:		Date Printed:	
Date Processed:		Date Received:	
Licensee Signature			
Nature of Modification:		Purpose:	
Company (DBA) Name:			
Owner Name:	DISTRICT OF COLUMBIA		
Attention:			
Owner Address:	, ,		
Owner PO Box:		Phone Number:	
E-Mail Address:			
Internet Domain:			
Painting & Lighting Specs:		Date of Last Remarks:	
Special Conditions #1:			
Special Conditions #2:			
Key Remarks:			

This record is for a license, and it may or may not indicate a site which has been built.

# FCC & FAA SITES MAP FINDINGS TOWERS

Map ID  
Direction  
Distance  
Distance (ft.)

EDR ID  
Database

A4  
ENE  
1/4-1/2 mi  
1827

TOW10000000454  
TOWER

Tower ID:	100937	Latitude (in seconds):	140019
Tower Owner Name:	DISTRICT OF COLUMBIA 300 INDIANA AV NW, WASHINGTON, DC	Longitude (in seconds):	277262
Latitude:	38 53' 140019"	Transmitter Longitude	0770102
Longitude:	77 1' 2"	Activation Date:	Sep 13 1989
Transmitter Latitude:	385339	FCC Date:	Sep 8 1989
Construction Date:	99/99/1999	FAA ID:	89-AEA-303-OE
FAA Date:	Aug 22 1989	Antenna Height (M):	0.0000
File Number:	0235534	Beacon Height (M):	0.0000
Antenna Height:	0.0000	Elevation FAA:	208.0000
Beacon Height:	0.0000	Elevation (M):	63.4000
Elevation:	208.0000	Structure Height (M):	51.2000
Elevation FAA (M):	63.4000	Structure Height FAA (M):	51.2000
Structure Height:	168.0000	Supporting Struct Hgt (M):	0.0000
Structure Height FAA:	168.0000	Tower Height (M):	0.0000
Supporting Struct Hgt:	0.0000	Tower Type:	E
Tower Height:	0.0000	Date:	
Structure Type:	BTW	Record Action:	ADD
Key Remarks:		ID_ASB_ACC:	C
Key Site:	43441		
ID Exam:	ASB6		
Paint and Lighting Specs:			
Special Conditions/Remarks:			

This record is for a license, and it may or may not indicate a site which has been built.

5  
WNW  
1/4-1/2 mi  
1985

DOF10000072017  
FAA DOF

Nacg code:	09	Obs number:	0068
O or u:	O	State id:	DC
City name:	ECKINGTON	Latdeg:	38
Latmin:	53		
Latsec:	43.38	Longdeg:	77
Lat hemi:	N		
Longmin:	1	Obs type:	BLDG
Longsec:	45.83	Aglt ht:	0128
Long hemi:	W		
Frequency:	Not Reported		

# FCC & FAA SITES MAP FINDINGS TOWERS

Map ID  
Direction  
Distance  
Distance (ft.)

EDR ID  
Database

Amsl ht:	00139	Strobe ind:	N
Acc h:	5	Acc v:	D
Mark ind:	N	Faa stdy n:	01EA0398
Act acc dt:	CA5044	Datchk cd:	228495
Dat file:	AEA	Site id:	DOF100000072017

6  
NNE  
1/4-1/2 mi  
2070

TOW100000050655  
TOWER

Tower ID:	34048		
Tower Owner Name:			
	, WASHINGTON, DC		
Latitude:	38 53' 140032"	Latitude (in seconds):	140032
Longitude:	77 1' 11"	Longitude (in seconds):	277271
Transmitter Latitude:	385352	Transmitter Longitude	0770111
Construction Date:	99/99/1999	Activation Date:	Jul 9 1976
FAA Date:	Jun 22 1976	FCC Date:	
File Number:	25130 LR-66	FAA ID:	76-EA-5350-OE
Antenna Height:	0.0000	Antenna Height (M):	0.0000
Beacon Height:	0.0000	Beacon Height (M):	0.0000
Elevation:	217.3000	Elevation FAA:	217.3000
Elevation FAA (M):	66.2000	Elevation (M):	66.2000
Structure Height:	178.0000	Structure Height (M):	54.3000
Structure Height FAA:	178.0000	Structure Height FAA (M):	54.3000
Supporting Struct Hgt:	0.0000	Supporting Struct Hgt (M):	0.0000
Tower Height:	0.0000	Tower Height (M):	0.0000
Structure Type:	B	Tower Type:	E
Key Remarks:		Date:	
Key Site:	43457	Record Action:	OLD
ID Exam:		ID_ASB_ACC:	C
Paint and Lighting Specs:			
Special Conditions/Remarks:			

This record is for a license, and it may or may not indicate a site which has been built.

# FCC & FAA SITES MAP FINDINGS TOWERS

**Map ID**  
**Direction**  
**Distance**  
**Distance (ft.)**

**EDR ID**  
**Database**

A7  
East  
1/4-1/2 mi  
2113

CEL10000000623  
CELLULAR

Low Frequency:	825.03000000	High Frequency:	834.99000000
Callsign:	KNKA243	Radio Code:	CL
DBA Name:	SOUTHWESTERN BELL MOBILE SYSTEMS		
Contact:	Not Reported		
Licensee:	SOUTHWESTERN BELL MOBILE SYSTEMS SUITE 100A DALLAS, TX 75252		
Transmitter Address:	200 CONSTITUTION AVENUE, N.W. WASHINGTON, DC		
County:	Not Reported		
Latitude:	385338	Longitude:	0770058
Elevation:	00000	Height:	00000
Height Average:	00000	Effective Height:	00220
Structure Height:	00110	Class Code:	MO
ERP:	00000000	Database ID:	Y
License Date:	940927	Emissions:	40K0F3E 40K0F1D
Issue Date:	940727	Expiration Date:	931001
Mobile Vehicles:	Not Reported	Total Units:	Not Reported
Control Point Auth:	00	Authorization Type:	L

This record is for a license, and it may or may not indicate a site which has been built.

A8  
East  
1/4-1/2 mi  
2113

CEL100000029328  
CELLULAR

Low Frequency:	870.03000000	High Frequency:	879.99000000
Callsign:	KNKA243	Radio Code:	CL
DBA Name:	SOUTHWESTERN BELL MOBILE SYSTEMS		
Contact:	Not Reported		
Licensee:	SOUTHWESTERN BELL MOBILE SYSTEMS SUITE 100A DALLAS, TX 75252		
Transmitter Address:	200 CONSTITUTION AVENUE, N.W. WASHINGTON, DC		
County:	Not Reported		
Latitude:	385338	Longitude:	0770058
Elevation:	00000	Height:	00000
Height Average:	00000	Effective Height:	00220
Structure Height:	00110	Class Code:	FB
ERP:	00000000	Database ID:	Y
License Date:	940927	Emissions:	40K0F3E 40K0F1D
Issue Date:	940727	Expiration Date:	931001
Mobile Vehicles:	Not Reported	Total Units:	Not Reported
Control Point Auth:	00	Authorization Type:	L

This record is for a license, and it may or may not indicate a site which has been built.

# FCC & FAA SITES MAP FINDINGS TOWERS

Map ID  
Direction  
Distance  
Distance (ft.)

EDR ID  
Database

9				DOF10000072038
NW				FAA DOF
1/4-1/2 mi				
2460				
Nacg code:	09	Obs number:	0073	
O or u:	O	State id:	DC	
City name:	WASHINGTON	Latdeg:	38	
Latmin:	53			
Latsec:	52.7			
Lat hemi:	N	Longdeg:	77	
Longmin:	1			
Longsec:	44.3			
Long hemi:	W	Obs type:	BLDG	
Frequency:	Not Reported	Agl ht:	0198	
Amsl ht:	00235	Strobe ind:	N	
Acc h:	2	Acc v:	C	
Mark ind:	N	Faa stdy n:	05EA0101	
Act acd dt:	CA5254	Datchk cd:	228583	
Dat file:	AEA	Site id:	DOF10000072038	

B10				DOF10000071999
East				FAA DOF
1/4-1/2 mi				
2478				
Nacg code:	09	Obs number:	0062	
O or u:	O	State id:	DC	
City name:	WASHINGTON	Latdeg:	38	
Latmin:	53			
Latsec:	35.4			
Lat hemi:	N	Longdeg:	77	
Longmin:	0			
Longsec:	51.91			
Long hemi:	W	Obs type:	BLDG	
Frequency:	Not Reported	Agl ht:	0155	
Amsl ht:	00185	Strobe ind:	N	
Acc h:	4	Acc v:	D	
Mark ind:	N	Faa stdy n:	03EA1806	
Act acd dt:	CA4200	Datchk cd:	228827	
Dat file:	AEA	Site id:	DOF10000071999	

# FCC & FAA SITES MAP FINDINGS TOWERS

**Map ID**  
**Direction**  
**Distance**  
**Distance (ft.)**

**EDR ID**  
**Database**

B11  
East  
1/4-1/2 mi  
2504

CEL10000000622  
CELLULAR

Low Frequency:	825.03000000	High Frequency:	834.99000000
Callsign:	KNKA243	Radio Code:	CL
DBA Name:	SOUTHWESTERN BELL MOBILE SYSTEMS		
Contact:	Not Reported		
Licensee:	SOUTHWESTERN BELL MOBILE SYSTEMS SUITE 100A DALLAS, TX 75252		
Transmitter Address:	200 CONSTITUTION AVENUE, N.W. WASHINGTON, DC		
County:	Not Reported		
Latitude:	385338	Longitude:	0770053
Elevation:	00000	Height:	00000
Height Average:	00000	Effective Height:	00220
Structure Height:	00120	Class Code:	MO
ERP:	00000000	Database ID:	Y
License Date:	940927	Emissions:	40K0F3E 40K0F1D
Issue Date:	940727	Expiration Date:	931001
Mobile Vehicles:	Not Reported	Total Units:	Not Reported
Control Point Auth:	00	Authorization Type:	L

This record is for a license, and it may or may not indicate a site which has been built.

B12  
East  
1/4-1/2 mi  
2504

CEL100000029327  
CELLULAR

Low Frequency:	870.03000000	High Frequency:	879.99000000
Callsign:	KNKA243	Radio Code:	CL
DBA Name:	SOUTHWESTERN BELL MOBILE SYSTEMS		
Contact:	Not Reported		
Licensee:	SOUTHWESTERN BELL MOBILE SYSTEMS SUITE 100A DALLAS, TX 75252		
Transmitter Address:	200 CONSTITUTION AVENUE, N.W. WASHINGTON, DC		
County:	Not Reported		
Latitude:	385338	Longitude:	0770053
Elevation:	00000	Height:	00000
Height Average:	00000	Effective Height:	00220
Structure Height:	00120	Class Code:	FB
ERP:	00000000	Database ID:	Y
License Date:	940927	Emissions:	40K0F3E 40K0F1D
Issue Date:	940727	Expiration Date:	931001
Mobile Vehicles:	Not Reported	Total Units:	Not Reported
Control Point Auth:	00	Authorization Type:	L

This record is for a license, and it may or may not indicate a site which has been built.



# FCC & FAA SITES MAP FINDINGS TOWERS

Map ID  
Direction  
Distance  
Distance (ft.)

EDR ID  
Database

C13  
WNW  
1/4-1/2 mi  
2531

TOW10000088854  
TOWER

Tower ID:	98730	Latitude (in seconds):	140027
Tower Owner Name:	AMERICAN SATELITE CO.&WESTERN UNION CORP 1331 PENNSYLVANIA AVE., WASHINGTON, DC	Longitude (in seconds):	277312
Latitude:	38 53' 140027"	Transmitter Longitude	0770152
Longitude:	77 1' 52"	Activation Date:	Jul 8 1989
Transmitter Latitude:	385347	FCC Date:	Jul 24 1985
Construction Date:		FAA ID:	
FAA Date:		Antenna Height (M):	0.0000
File Number:	CSG-85-054-P/L	Beacon Height (M):	0.0000
Antenna Height:	0.0000	Elevation FAA:	0.0000
Beacon Height:	0.0000	Elevation (M):	64.0000
Elevation:	210.0000	Structure Height (M):	54.9000
Elevation FAA (M):	0.0000	Structure Height FAA (M):	54.9000
Structure Height:	180.0000	Supporting Struct Hgt (M):	0.0000
Structure Height FAA:	0.0000	Tower Height (M):	0.0000
Supporting Struct Hgt:	0.0000	Tower Type:	E
Tower Height:	0.0000	Date:	
Structure Type:	BTW	Record Action:	ADD
Key Remarks:		ID_ASB_ACC:	C
Key Site:	43451		
ID Exam:	ASB8		
Paint and Lighting Specs:			
Special Conditions/Remarks:			

This record is for a license, and it may or may not indicate a site which has been built.

C14  
WNW  
1/4-1/2 mi  
2589

DOF10000072026  
FAA DOF

Nacg code:	09	Obs number:	0057
O or u:	O	State id:	DC
City name:	WASHINGTON	Latdeg:	38
Latmin:	53		
Latsec:	47.09	Longdeg:	77
Lat hemi:	N		
Longmin:	1	Obs type:	BLDG
Longsec:	51.97	Aglt ht:	0192
Long hemi:	W		
Frequency:	Not Reported		

# FCC & FAA SITES MAP FINDINGS TOWERS

Map ID  
Direction  
Distance  
Distance (ft.)

EDR ID  
Database

Amsl ht:	00209	Strobe ind:	N
Acc h:	1	Acc v:	A
Mark ind:	N	Faa stdy n:	03EA2956
Act acc dt:	CA5254	Datchk cd:	230715
Dat file:	AEA	Site id:	DOF100000072026

15  
NNW  
1/2-1 mi  
2653

TOW100000002038  
TOWER

Tower ID:	103908	Latitude (in seconds):	140038
Tower Owner Name:	WASHINGTON GAS LIGHT CO 1100 H ST NW, WASHINGTON, DC	Longitude (in seconds):	277299
Latitude:	38 53' 140038"	Transmitter Longitude	0770139
Longitude:	77 1' 39"	Activation Date:	Jan 25 1990
Transmitter Latitude:	385358	FCC Date:	Dec 1 1989
Construction Date:	99/99/1999	FAA ID:	
FAA Date:		Antenna Height (M):	0.0000
File Number:	681805	Beacon Height (M):	0.0000
Antenna Height:	0.0000	Elevation FAA:	0.0000
Beacon Height:	0.0000	Elevation (M):	67.1000
Elevation:	220.0000	Structure Height (M):	51.8000
Elevation FAA (M):	0.0000	Structure Height FAA (M):	51.8000
Structure Height:	170.0000	Supporting Struct Hgt (M):	0.0000
Structure Height FAA:	0.0000	Tower Height (M):	51.8000
Supporting Struct Hgt:	0.0000	Tower Type:	E
Tower Height:	170.0000	Date:	
Structure Type:	TOW	Record Action:	ADD
Key Remarks:		ID_ASB_ACC:	C
Key Site:	43466		
ID Exam:	ASB6		
Paint and Lighting Specs:			
Special Conditions/Remarks:			

This record is for a license, and it may or may not indicate a site which has been built.

# FCC & FAA SITES MAP FINDINGS TOWERS

Map ID  
Direction  
Distance  
Distance (ft.)

EDR ID  
Database

C16  
WNW  
1/2-1 mi  
2692

TOW100000050653  
TOWER

Tower ID:	34045		
Tower Owner Name:	14 ST N.W. & PENNS. AVE, WASHINGTON, DC		
Latitude:	38 53' 140026"	Latitude (in seconds):	140026
Longitude:	77 1' 55"	Longitude (in seconds):	277315
Transmitter Latitude:	385346	Transmitter Longitude:	0770155
Construction Date:	99/99/1999	Activation Date:	Oct 21 1982
FAA Date:		FCC Date:	Oct 8 1982
File Number:	37510-IB	FAA ID:	NONE
Antenna Height:	0.0000	Antenna Height (M):	0.0000
Beacon Height:	0.0000	Beacon Height (M):	0.0000
Elevation:	270.0000	Elevation FAA:	0.0000
Elevation FAA (M):	0.0000	Elevation (M):	82.3000
Structure Height:	240.0000	Structure Height (M):	73.2000
Structure Height FAA:	0.0000	Structure Height FAA (M):	73.2000
Supporting Struct Hgt:	0.0000	Supporting Struct Hgt (M):	0.0000
Tower Height:	0.0000	Tower Height (M):	0.0000
Structure Type:	BTW	Tower Type:	E
Key Remarks:		Date:	
Key Site:	43449	Record Action:	OLD
ID Exam:		ID_ASB_ACC:	Y
Paint and Lighting Specs:			
Special Conditions/Remarks:			

This record is for a license, and it may or may not indicate a site which has been built.

# FCC & FAA SITES MAP FINDINGS TOWERS

Map ID  
Direction  
Distance  
Distance (ft.)

EDR ID  
Database

C17  
WNW  
1/2-1 mi  
2721

TOW10000070342  
TOWER

Tower ID:	60432		
Tower Owner Name:	NATIONAL TELEPORT, INC.		
	, WASHINGTON, DC		
Latitude:	38 53' 140028"	Latitude (in seconds):	140028
Longitude:	77 1' 54"	Longitude (in seconds):	277314
Transmitter Latitude:	385348	Transmitter Longitude	0770154
Construction Date:	99/99/1999	Activation Date:	Nov 21 1984
FAA Date:		FCC Date:	
File Number:	000240-DSE-P/L-85	FAA ID:	NONE
Antenna Height:	0.0000	Antenna Height (M):	0.0000
Beacon Height:	0.0000	Beacon Height (M):	0.0000
Elevation:	223.0000	Elevation FAA:	0.0000
Elevation FAA (M):	0.0000	Elevation (M):	68.0000
Structure Height:	193.0000	Structure Height (M):	58.8000
Structure Height FAA:	0.0000	Structure Height FAA (M):	58.8000
Supporting Struct Hgt:	0.0000	Supporting Struct Hgt (M):	0.0000
Tower Height:	0.0000	Tower Height (M):	0.0000
Structure Type:	TOW	Tower Type:	E
Key Remarks:		Date:	
Key Site:	43455	Record Action:	ADD
ID Exam:		ID_ASB_ACC:	C
Paint and Lighting Specs:			
Special Conditions/Remarks:			

This record is for a license, and it may or may not indicate a site which has been built.

18  
South  
1/2-1 mi  
2772

DOF10000071945  
FAA DOF

Nacg code:	09	Obs number:	0064
O or u:	O	State id:	DC
City name:	WASHINGTON	Latdeg:	38
Latmin:	53		
Latsec:	7.4	Longdeg:	77
Lat hemi:	N		
Longmin:	1		
Longsec:	22.92		
Long hemi:	W	Obs type:	BLDG
Frequency:	Not Reported	Aglt ht:	0097

# FCC & FAA SITES MAP FINDINGS TOWERS

Map ID  
Direction  
Distance  
Distance (ft.)

EDR ID  
Database

Amsl ht:	00134	Strobe ind:	N
Acc h:	4	Acc v:	D
Mark ind:	N	Faa stdy n:	03EA1805
Act acd dt:	CA4200	Datchk cd:	228592
Dat file:	AEA	Site id:	DOF100000071945

D19			DOF100000072049
NW			FAA DOF
1/2-1 mi			
2781			
Nacg code:	09	Obs number:	0020
O or u:	O	State id:	DC
City name:	WASHINGTON	Latdeg:	38
Latmin:	53		
Latsec:	57		
Lat hemi:	N	Longdeg:	77
Longmin:	1		
Longsec:	44		
Long hemi:	W	Obs type:	BLDG
Frequency:	Not Reported	Agl ht:	0215
Amsl ht:	00260	Strobe ind:	N
Acc h:	5	Acc v:	D
Mark ind:	N	Faa stdy n:	01OE1217
Act acd dt:	C92279	Datchk cd:	229298
Dat file:	AEA	Site id:	DOF100000072049

# FCC & FAA SITES MAP FINDINGS TOWERS

Map ID  
Direction  
Distance  
Distance (ft.)

EDR ID  
Database

B20  
East  
1/2-1 mi  
2794

TOW100000050646  
TOWER

Tower ID:	34037		
Tower Owner Name:	300 INDIANA AVE, WASHINGTON, DC		
Latitude:	38 53' 140015"	Latitude (in seconds):	140015
Longitude:	77 0' 49"	Longitude (in seconds):	277249
Transmitter Latitude:	385335	Transmitter Longitude	0770049
Construction Date:		Activation Date:	Jan 7 1981
FAA Date:		FCC Date:	Dec 22 1980
File Number:	CITIZENS	FAA ID:	
Antenna Height:	0.0000	Antenna Height (M):	0.0000
Beacon Height:	0.0000	Beacon Height (M):	0.0000
Elevation:	256.0000	Elevation FAA:	0.0000
Elevation FAA (M):	0.0000	Elevation (M):	78.0000
Structure Height:	112.0000	Structure Height (M):	34.1000
Structure Height FAA:	0.0000	Structure Height FAA (M):	34.1000
Supporting Struct Hgt:	0.0000	Supporting Struct Hgt (M):	0.0000
Tower Height:	0.0000	Tower Height (M):	0.0000
Structure Type:	TOW	Tower Type:	E
Key Remarks:		Date:	
Key Site:	43436	Record Action:	OLD
ID Exam:		ID_ASB_ACC:	C
Paint and Lighting Specs:	1 2		
Special Conditions/Remarks:			

This record is for a license, and it may or may not indicate a site which has been built.

# FCC & FAA SITES MAP FINDINGS TOWERS

Map ID  
Direction  
Distance  
Distance (ft.)

EDR ID  
Database

D21  
NW  
1/2-1 mi  
2812

TOW100000050657  
TOWER

Tower ID:	34052		
Tower Owner Name:	725 13TH ST NW, WASHINGTON, DC		
Latitude:	38 53' 140037"	Latitude (in seconds):	140037
Longitude:	77 1' 45"	Longitude (in seconds):	277305
Transmitter Latitude:	385357	Transmitter Longitude	0770145
Construction Date:	99/99/1999	Activation Date:	Mar 13 1962
FAA Date:	Mar 6 1962	FCC Date:	
File Number:	2494-C2-P-62	FAA ID:	1-OE-1217
Antenna Height:	0.0000	Antenna Height (M):	0.0000
Beacon Height:	0.0000	Beacon Height (M):	0.0000
Elevation:	260.0000	Elevation FAA:	260.0000
Elevation FAA (M):	79.2000	Elevation (M):	79.2000
Structure Height:	215.0000	Structure Height (M):	65.5000
Structure Height FAA:	215.0000	Structure Height FAA (M):	65.5000
Supporting Struct Hgt:	0.0000	Supporting Struct Hgt (M):	0.0000
Tower Height:	0.0000	Tower Height (M):	0.0000
Structure Type:	TOW	Tower Type:	E
Key Remarks:		Date:	
Key Site:	43464	Record Action:	OLD
ID Exam:		ID_ASB_ACC:	A
Paint and Lighting Specs:			
Special Conditions/Remarks:			

This record is for a license, and it may or may not indicate a site which has been built.

22  
West  
1/2-1 mi  
2912

DOF100000071995  
FAA DOF

Nacg code:	09	Obs number:	0054
O or u:	U	State id:	DC
City name:	WASHINGTON	Latdeg:	38
Latmin:	53		
Latsec:	33	Longdeg:	77
Lat hemi:	N		
Longmin:	2		
Longsec:	0		
Long hemi:	W	Obs type:	TOWER
Frequency:	Not Reported	Aglt:	0151

# FCC & FAA SITES MAP FINDINGS TOWERS

**Map ID**  
**Direction**  
**Distance**  
**Distance (ft.)**

**EDR ID**  
**Database**

Amsl ht:	00158	Strobe ind:	N
Acc h:	Not Reported	Acc v:	Not Reported
Mark ind:	N	Faa stdy n:	98EA0564
Act acd dt:	A98089	Datchk cd:	226474
Dat file:	AEA	Site id:	DOF100000071995

23			DOF100000072073
North			FAA DOF
1/2-1 mi			
2956			
Nacg code:	09	Obs number:	0006
O or u:	O	State id:	DC
City name:	WASHINGTON	Latdeg:	38
Latmin:	54		
Latsec:	4		
Lat hemi:	N	Longdeg:	77
Longmin:	1		
Longsec:	22		
Long hemi:	W	Obs type:	TOWER
Frequency:	Not Reported	Agl ht:	0193
Amsl ht:	00250	Strobe ind:	Not Reported
Acc h:	Not Reported	Acc v:	Not Reported
Mark ind:	Not Reported	Faa stdy n:	Not Reported
Act acd dt:	D83293	Datchk cd:	163968
Dat file:	AEA	Site id:	DOF100000072073

24			DOF100000071948
SSW			FAA DOF
1/2-1 mi			
3099			
Nacg code:	09	Obs number:	0067
O or u:	O	State id:	DC
City name:	WASHINGTON	Latdeg:	38
Latmin:	53		
Latsec:	8.03		
Lat hemi:	N	Longdeg:	77
Longmin:	1		
Longsec:	42.29		
Long hemi:	W	Obs type:	BLDG
Frequency:	Not Reported	Agl ht:	0141
Amsl ht:	00170	Strobe ind:	N
Acc h:	1	Acc v:	A
Mark ind:	N	Faa stdy n:	03EA2272
Act acd dt:	CA4207	Datchk cd:	228099
Dat file:	AEA	Site id:	DOF100000071948



# FCC & FAA SITES MAP FINDINGS TOWERS

Map ID  
Direction  
Distance  
Distance (ft.)

EDR ID  
Database

25  
WNW  
1/2-1 mi  
3148

TOW100000050654  
TOWER

Tower ID:	34047		
Tower Owner Name:	1401 F ST NW, WASHINGTON, DC		
Latitude:	38 53' 140031"	Latitude (in seconds):	140031
Longitude:	77 1' 58"	Longitude (in seconds):	277318
Transmitter Latitude:	385351	Transmitter Longitude	0770158
Construction Date:	99/99/1999	Activation Date:	Jun 13 1972
FAA Date:	Apr 25 1972	FCC Date:	
File Number:	16570-IB-12	FAA ID:	72-EA-310-OE
Antenna Height:	0.0000	Antenna Height (M):	0.0000
Beacon Height:	0.0000	Beacon Height (M):	0.0000
Elevation:	221.0000	Elevation FAA:	221.0000
Elevation FAA (M):	67.4000	Elevation (M):	67.4000
Structure Height:	181.0000	Structure Height (M):	55.2000
Structure Height FAA:	181.0000	Structure Height FAA (M):	55.2000
Supporting Struct Hgt:	0.0000	Supporting Struct Hgt (M):	0.0000
Tower Height:	0.0000	Tower Height (M):	0.0000
Structure Type:	BTW	Tower Type:	E
Key Remarks:		Date:	
Key Site:	43456	Record Action:	OLD
ID Exam:		ID_ASB_ACC:	C
Paint and Lighting Specs:			
Special Conditions/Remarks:			

This record is for a license, and it may or may not indicate a site which has been built.

26  
South  
1/2-1 mi  
3272

DOF100000071938  
FAA DOF

Nacg code:	09	Obs number:	0072
O or u:	O	State id:	DC
City name:	WASHINGTON	Latdeg:	38
Latmin:	53		
Latsec:	2.5	Longdeg:	77
Lat hemi:	N		
Longmin:	1		
Longsec:	21.08		
Long hemi:	W	Obs type:	BLDG
Frequency:	Not Reported	Aglt ht:	0179

# FCC & FAA SITES MAP FINDINGS TOWERS

Map ID  
Direction  
Distance  
Distance (ft.)

EDR ID  
Database

Amsl ht:	00210	Strobe ind:	R
Acc h:	5	Acc v:	D
Mark ind:	N	Faa stdy n:	02EA2518
Act acc dt:	AA6246	Datchk cd:	229593
Dat file:	AEA	Site id:	DOF10000071938

E27	ANT100000023430
SSE	ANTREG
1/2-1 mi	
3435	

Tower ID:	102386		
Address:	500 N. CAPITAL ST. NW, WASHINGTON, DC		
Lat (NAD 27):	385304	Lon (NAD 27):	0770105
Lat (NAD 83):		Lon (NAD 83):	
Construction Date:		Dismantled Date:	
Nepa Flag:		FAA ID:	
Structure Type:	BTW	Elevation (M):	54.3000
Structure Hgt (M):	42.1000	Hgt Above Ground:	
Hgt Above Ground (M):		Hgt Above Mean Sea Level (M):	
Date Activated:	Nov 9 1989	License Issue Date:	
Date Keyed:		Date Printed:	
Date Processed:		Date Received:	
Licensee Signature			
Nature of Modification:		Purpose:	
Company (DBA) Name:			
Owner Name:	KEYSTONE COMMUNICATIONS, L.P.		
Attention:			
Owner Address:	, ,		
Owner PO Box:		Phone Number:	
E-Mail Address:			
Internet Domain:			
Painting & Lighting Specs:		Date of Last Remarks:	
Special Conditions #1:			
Special Conditions #2:			
Key Remarks:			

This record is for a license, and it may or may not indicate a site which has been built.

# FCC & FAA SITES MAP FINDINGS TOWERS

Map ID  
Direction  
Distance  
Distance (ft.)

EDR ID  
Database

E28  
SSE  
1/2-1 mi  
3435

TOW100000001231  
TOWER

Tower ID:	102386	Latitude (in seconds):	139984
Tower Owner Name:	KEYSTONE COMMUNICATIONS, L.P. 500 N. CAPITAL ST. NW, WASHINGTON, DC	Longitude (in seconds):	277265
Latitude:	38 53' 139984"	Transmitter Longitude	0770105
Longitude:	77 1' 5"	Activation Date:	Nov 9 1989
Transmitter Latitude:	385304	FCC Date:	Oct 25 1989
Construction Date:		FAA ID:	
FAA Date:		Antenna Height (M):	2.1000
File Number:	13101-CF-P-90	Beacon Height (M):	0.0000
Antenna Height:	7.0000	Elevation FAA:	0.0000
Beacon Height:	0.0000	Elevation (M):	54.3000
Elevation:	178.0000	Structure Height (M):	42.1000
Elevation FAA (M):	0.0000	Structure Height FAA (M):	42.1000
Structure Height:	138.0000	Supporting Struct Hgt (M):	39.9000
Structure Height FAA:	0.0000	Tower Height (M):	0.0000
Supporting Struct Hgt:	131.0000	Tower Type:	E
Tower Height:	0.0000	Date:	
Structure Type:	BTW	Record Action:	ADD
Key Remarks:		ID_ASB_ACC:	C
Key Site:	43399		
ID Exam:	ASB3		
Paint and Lighting Specs:			
Special Conditions/Remarks:			

This record is for a license, and it may or may not indicate a site which has been built.

# FCC & FAA SITES MAP FINDINGS TOWERS

Map ID  
Direction  
Distance  
Distance (ft.)

EDR ID  
Database

E29  
SSE  
1/2-1 mi  
3459

TOW100000022379  
TOWER

Tower ID:	126757	Latitude (in seconds):	139985
Tower Owner Name:	MARTIN MARIETTA CORPORATION 400 VIRGINIA AVE SW, WASHINGTON, DC	Longitude (in seconds):	277262
Latitude:	38 53' 139985"	Transmitter Longitude	0770102
Longitude:	77 1' 2"	Activation Date:	Dec 7 1994
Transmitter Latitude:	385305	FCC Date:	Jun 6 1994
Construction Date:		FAA ID:	94-AEA-1647-OE
FAA Date:	Nov 18 1994	Antenna Height (M):	0.0000
File Number:	357849	Beacon Height (M):	0.0000
Antenna Height:	0.0000	Elevation FAA:	132.0000
Beacon Height:	0.0000	Elevation (M):	40.2000
Elevation:	132.0000	Structure Height (M):	34.1000
Elevation FAA (M):	40.2000	Structure Height FAA (M):	34.1000
Structure Height:	112.0000	Supporting Struct Hgt (M):	27.4000
Structure Height FAA:	112.0000	Tower Height (M):	6.7000
Supporting Struct Hgt:	90.0000	Tower Type:	E
Tower Height:	22.0000	Date:	
Structure Type:	BAN	Record Action:	ADD
Key Remarks:		ID_ASB_ACC:	
Key Site:	77563		
ID Exam:	PRB0		
Paint and Lighting Specs:			
Special Conditions/Remarks:			

This record is for a license, and it may or may not indicate a site which has been built.

# FCC & FAA SITES MAP FINDINGS TOWERS

Map ID  
Direction  
Distance  
Distance (ft.)

EDR ID  
Database

30  
NE  
1/2-1 mi  
3674

TOW10000087589  
TOWER

Tower ID:	95826	Latitude (in seconds):	140038
Tower Owner Name:	CNN AMERICA, INC. 111 MASSACHUSETTS AVE. NW, WASHINGTON, DC	Longitude (in seconds):	277249
Latitude:	38 53' 140038"	Transmitter Longitude	0770049
Longitude:	77 0' 49"	Activation Date:	Apr 5 1989
Transmitter Latitude:	385358	FCC Date:	Jan 23 1989
Construction Date:	99/99/1999	FAA ID:	
FAA Date:		Antenna Height (M):	9.1000
File Number:	BPLRE-890123MO	Beacon Height (M):	0.0000
Antenna Height:	30.0000	Elevation FAA:	0.0000
Beacon Height:	0.0000	Elevation (M):	52.1000
Elevation:	171.0000	Structure Height (M):	39.6000
Elevation FAA (M):	0.0000	Structure Height FAA (M):	39.6000
Structure Height:	130.0000	Supporting Struct Hgt (M):	30.5000
Structure Height FAA:	0.0000	Tower Height (M):	0.0000
Supporting Struct Hgt:	100.0000	Tower Type:	E
Tower Height:	0.0000	Date:	
Structure Type:	BTW	Record Action:	ADD
Key Remarks:		ID_ASB_ACC:	C
Key Site:	43465		
ID Exam:	ASB3		
Paint and Lighting Specs:			
Special Conditions/Remarks:			

This record is for a license, and it may or may not indicate a site which has been built.

31  
WSW  
1/2-1 mi  
3694

DOF10000071977  
FAA DOF

Nacg code:	09	Obs number:	0021
O or u:	O	State id:	DC
City name:	WASHINGTON	Latdeg:	38
Latmin:	53		
Latsec:	22	Longdeg:	77
Lat hemi:	N		
Longmin:	2	Obs type:	MONUMENT
Longsec:	7	Aglt ht:	0556
Long hemi:	W		
Frequency:	Not Reported		

# FCC & FAA SITES MAP FINDINGS TOWERS

Map ID  
Direction  
Distance  
Distance (ft.)

EDR ID  
Database

Amsl ht:	00596	Strobe ind:	R
Acc h:	1	Acc v:	A
Mark ind:	N	Faa stdy n:	99OC0443
Act acd dt:	C82216	Datchk cd:	252868
Dat file:	AEA	Site id:	DOF100000071977

32			DOF100000071928
SSE			FAA DOF
1/2-1 mi			
3711			
Nacg code:	09	Obs number:	0039
O or u:	O	State id:	DC
City name:	WASHINGTON	Latdeg:	38
Latmin:	52		
Latsec:	59		
Lat hemi:	N	Longdeg:	77
Longmin:	1		
Longsec:	13		
Long hemi:	W	Obs type:	SPIRE
Frequency:	Not Reported	Agl ht:	0200
Amsl ht:	00220	Strobe ind:	N
Acc h:	1	Acc v:	B
Mark ind:	N	Faa stdy n:	99OC0443
Act acd dt:	C90197	Datchk cd:	235614
Dat file:	AEA	Site id:	DOF100000071928

# FCC & FAA SITES MAP FINDINGS TOWERS

Map ID  
Direction  
Distance  
Distance (ft.)

EDR ID  
Database

33  
NW  
1/2-1 mi  
3902

TOW10000004353  
TOWER

Tower ID:	108146	Latitude (in seconds):	140044
Tower Owner Name:	UNITED PRESS INTERNATIONAL, INC. 1400 I STREET, NW, WASHINGTON, DC	Longitude (in seconds):	277316
Latitude:	38 54' 140044"	Transmitter Longitude	0770156
Longitude:	77 1' 56"	Activation Date:	Jul 3 1990
Transmitter Latitude:	385404	FCC Date:	Jun 6 1990
Construction Date:	99/99/1999	FAA ID:	
FAA Date:		Antenna Height (M):	0.0000
File Number:	1360-DSE-MP-L-90	Beacon Height (M):	0.0000
Antenna Height:	0.0000	Elevation FAA:	0.0000
Beacon Height:	0.0000	Elevation (M):	60.7000
Elevation:	199.0000	Structure Height (M):	42.4000
Elevation FAA (M):	0.0000	Structure Height FAA (M):	42.4000
Structure Height:	139.0000	Supporting Struct Hgt (M):	42.4000
Structure Height FAA:	0.0000	Tower Height (M):	0.0000
Supporting Struct Hgt:	139.0000	Tower Type:	E
Tower Height:	0.0000	Date:	
Structure Type:	BTW	Record Action:	ADD
Key Remarks:		ID_ASB_ACC:	C
Key Site:	43475		
ID Exam:	ASB3		
Paint and Lighting Specs:			
Special Conditions/Remarks:			

This record is for a license, and it may or may not indicate a site which has been built.

34  
ESE  
1/2-1 mi  
4148

DOF10000071982  
FAA DOF

Nacg code:	09	Obs number:	0025
O or u:	O	State id:	DC
City name:	WASHINGTON	Latdeg:	38
Latmin:	53		
Latsec:	23	Longdeg:	77
Lat hemi:	N		
Longmin:	0		
Longsec:	33		
Long hemi:	W	Obs type:	MONUMENT
Frequency:	Not Reported	Aglt ht:	0307

# FCC & FAA SITES MAP FINDINGS TOWERS

Map ID  
Direction  
Distance  
Distance (ft.)

EDR ID  
Database

Amsl ht:	00377	Strobe ind:	N
Acc h:	1	Acc v:	A
Mark ind:	N	Faa stdy n:	99OC0443
Act acd dt:	C90113	Datchk cd:	251169
Dat file:	AEA	Site id:	DOF100000071982

35			DOF100000071921
SSW			FAA DOF
1/2-1 mi			
4220			
Nacg code:	09	Obs number:	0065
O or u:	O	State id:	DC
City name:	WASHINGTON	Latdeg:	38
Latmin:	52		
Latsec:	57.06		
Lat hemi:	N	Longdeg:	77
Longmin:	1		
Longsec:	46		
Long hemi:	W	Obs type:	BLDG
Frequency:	Not Reported	Agl ht:	0168
Amsl ht:	00191	Strobe ind:	R
Acc h:	5	Acc v:	D
Mark ind:	N	Faa stdy n:	03EA1809
Act acd dt:	CA4200	Datchk cd:	229577
Dat file:	AEA	Site id:	DOF100000071921



# FCC & FAA SITES MAP FINDINGS TOWERS

**Map ID**  
**Direction**  
**Distance**  
**Distance (ft.)**

**EDR ID**  
**Database**

F36  
NW  
1/2-1 mi  
4267

CEL100000029329  
CELLULAR

Low Frequency:	870.03000000	High Frequency:	879.99000000
Callsign:	KNKA243	Radio Code:	CL
DBA Name:	SOUTHWESTERN BELL MOBILE SYSTEMS		
Contact:	Not Reported		
Licensee:	SOUTHWESTERN BELL MOBILE SYSTEMS SUITE 100A DALLAS, TX 75252		
Transmitter Address:	LAFAYETTE BUILDING 811 VERMONT AVENUE N WASHINGTON, DC		
County:	DC		
Latitude:	385403	Longitude:	0770204
Elevation:	00000	Height:	00000
Height Average:	00000	Effective Height:	00220
Structure Height:	00160	Class Code:	FB
ERP:	00000000	Database ID:	Y
License Date:	940927	Emissions:	40K0F3E 40K0F1D
Issue Date:	940727	Expiration Date:	931001
Mobile Vehicles:	Not Reported	Total Units:	Not Reported
Control Point Auth:	00	Authorization Type:	L

This record is for a license, and it may or may not indicate a site which has been built.

F37  
NW  
1/2-1 mi  
4267

CEL100000000624  
CELLULAR

Low Frequency:	825.03000000	High Frequency:	834.99000000
Callsign:	KNKA243	Radio Code:	CL
DBA Name:	SOUTHWESTERN BELL MOBILE SYSTEMS		
Contact:	Not Reported		
Licensee:	SOUTHWESTERN BELL MOBILE SYSTEMS SUITE 100A DALLAS, TX 75252		
Transmitter Address:	LAFAYETTE BUILDING 811 VERMONT AVENUE N WASHINGTON, DC		
County:	DC		
Latitude:	385403	Longitude:	0770204
Elevation:	00000	Height:	00000
Height Average:	00000	Effective Height:	00220
Structure Height:	00160	Class Code:	MO
ERP:	00000000	Database ID:	Y
License Date:	940927	Emissions:	40K0F3E 40K0F1D
Issue Date:	940727	Expiration Date:	931001
Mobile Vehicles:	Not Reported	Total Units:	Not Reported
Control Point Auth:	00	Authorization Type:	L

This record is for a license, and it may or may not indicate a site which has been built.

# FCC & FAA SITES MAP FINDINGS TOWERS

**Map ID**  
**Direction**  
**Distance**  
**Distance (ft.)**

**EDR ID**  
**Database**

F38  
NW  
1/2-1 mi  
4324

CEL100000029330  
CELLULAR

Low Frequency:	870.03000000	High Frequency:	879.99000000
Callsign:	KNKA243	Radio Code:	CL
DBA Name:	SOUTHWESTERN BELL MOBILE SYSTEMS		
Contact:	Not Reported		
Licensee:	SOUTHWESTERN BELL MOBILE SYSTEMS SUITE 100A DALLAS, TX 75252		
Transmitter Address:	LAFAYETTE BUILDING 811 VERMONT AVENUE N WASHINGTON, DC		
County:	DC		
Latitude:	385403	Longitude:	0770205
Elevation:	00000	Height:	00000
Height Average:	00000	Effective Height:	00220
Structure Height:	00000	Class Code:	FB
ERP:	00000000	Database ID:	Y
License Date:	940927	Emissions:	40K0F3E 40K0F1D
Issue Date:	940727	Expiration Date:	931001
Mobile Vehicles:	Not Reported	Total Units:	Not Reported
Control Point Auth:	00	Authorization Type:	L

This record is for a license, and it may or may not indicate a site which has been built.

F39  
NW  
1/2-1 mi  
4324

CEL100000000625  
CELLULAR

Low Frequency:	825.03000000	High Frequency:	834.99000000
Callsign:	KNKA243	Radio Code:	CL
DBA Name:	SOUTHWESTERN BELL MOBILE SYSTEMS		
Contact:	Not Reported		
Licensee:	SOUTHWESTERN BELL MOBILE SYSTEMS SUITE 100A DALLAS, TX 75252		
Transmitter Address:	LAFAYETTE BUILDING 811 VERMONT AVENUE N WASHINGTON, DC		
County:	DC		
Latitude:	385403	Longitude:	0770205
Elevation:	00000	Height:	00000
Height Average:	00000	Effective Height:	00220
Structure Height:	00000	Class Code:	MO
ERP:	00000000	Database ID:	Y
License Date:	940927	Emissions:	40K0F3E 40K0F1D
Issue Date:	940727	Expiration Date:	931001
Mobile Vehicles:	Not Reported	Total Units:	Not Reported
Control Point Auth:	00	Authorization Type:	L

This record is for a license, and it may or may not indicate a site which has been built.

# FCC & FAA SITES MAP FINDINGS TOWERS

Map ID  
Direction  
Distance  
Distance (ft.)

EDR ID  
Database

G40  
NW  
1/2-1 mi  
4717

TOW100000014156  
TOWER

Tower ID:	118806		
Tower Owner Name:	NORFOLK SOUTHERN RAILWAY COMPANY 920 15TH ST NW, WASHINGTON, DC		
Latitude:	38 54' 140047"	Latitude (in seconds):	140047
Longitude:	77 2' 7"	Longitude (in seconds):	277327
Transmitter Latitude:	385407	Transmitter Longitude	0770207
Construction Date:		Activation Date:	Oct 26 1992
FAA Date:	Sep 14 1992	FCC Date:	Jul 30 1992
File Number:	786600	FAA ID:	92-AEA-1391-OE
Antenna Height:	0.0000	Antenna Height (M):	0.0000
Beacon Height:	0.0000	Beacon Height (M):	0.0000
Elevation:	241.0000	Elevation FAA:	241.0000
Elevation FAA (M):	73.5000	Elevation (M):	73.5000
Structure Height:	181.0000	Structure Height (M):	55.2000
Structure Height FAA:	181.0000	Structure Height FAA (M):	55.2000
Supporting Struct Hgt:	141.0000	Supporting Struct Hgt (M):	43.0000
Tower Height:	40.0000	Tower Height (M):	12.2000
Structure Type:	BTW	Tower Type:	E
Key Remarks:		Date:	
Key Site:	43478	Record Action:	ADD
ID Exam:	PRB4	ID_ASB_ACC:	A
Paint and Lighting Specs:			
Special Conditions/Remarks:			

This record is for a license, and it may or may not indicate a site which has been built.

G41  
NW  
1/2-1 mi  
4765

DOF100000072078  
FAA DOF

Nacg code:	09	Obs number:	0049
O or u:	O	State id:	DC
City name:	WASHINGTON	Latdeg:	38
Latmin:	54		
Latsec:	8	Longdeg:	77
Lat hemi:	N		
Longmin:	2		
Longsec:	6		
Long hemi:	W	Obs type:	BLDG-TWR
Frequency:	Not Reported	Aglt ht:	0171

# FCC & FAA SITES MAP FINDINGS TOWERS

Map ID  
Direction  
Distance  
Distance (ft.)

EDR ID  
Database

Amsl ht:	00236	Strobe ind:	N
Acc h:	5	Acc v:	D
Mark ind:	N	Faa stdy n:	97EA2605
Act acd dt:	C98110	Datchk cd:	247937
Dat file:	AEA	Site id:	DOF100000072078

42  
East  
1/2-1 mi  
5086

TOW100000087102  
TOWER

Tower ID:	94458	Latitude (in seconds):	140015
Tower Owner Name:	CNN AMERICA, INC. 2ND & C ST. N.E., WASHINGTON, DC	Longitude (in seconds):	277220
Latitude:	38 53' 140015"	Transmitter Longitude	0770020
Longitude:	77 0' 20"	Activation Date:	Mar 2 1989
Transmitter Latitude:	385335	FCC Date:	Jan 5 1989
Construction Date:	99/99/1999	FAA ID:	
FAA Date:		Antenna Height (M):	0.0000
File Number:	0747653	Beacon Height (M):	0.0000
Antenna Height:	0.0000	Elevation FAA:	0.0000
Beacon Height:	0.0000	Elevation (M):	51.8000
Elevation:	170.0000	Structure Height (M):	30.5000
Elevation FAA (M):	0.0000	Structure Height FAA (M):	30.5000
Structure Height:	100.0000	Supporting Struct Hgt (M):	0.0000
Structure Height FAA:	0.0000	Tower Height (M):	30.5000
Supporting Struct Hgt:	0.0000	Tower Type:	E
Tower Height:	100.0000	Date:	
Structure Type:	BTW	Record Action:	ADD
Key Remarks:		ID_ASB_ACC:	C
Key Site:	43435		
ID Exam:	ASB3		
Paint and Lighting Specs:			
Special Conditions/Remarks:			

This record is for a license, and it may or may not indicate a site which has been built.

# FCC & FAA SITES MAP FINDINGS TOWERS

Map ID  
Direction  
Distance  
Distance (ft.)

EDR ID  
Database

43  
WNW  
1/2-1 mi  
5126

TOW10000081765  
TOWER

Tower ID:	80137		
Tower Owner Name:	DISTRICT CABLEVISION		
	, WASHINGTON, DC		
Latitude:	38 53' 140039"	Latitude (in seconds):	140039
Longitude:	77 2' 21"	Longitude (in seconds):	277341
Transmitter Latitude:	385359	Transmitter Longitude	0770221
Construction Date:	99/99/1999	Activation Date:	Jan 27 1988
FAA Date:		FCC Date:	Jan 27 1988
File Number:	CAR-29071-01-1	FAA ID:	
Antenna Height:	0.0000	Antenna Height (M):	0.0000
Beacon Height:	0.0000	Beacon Height (M):	0.0000
Elevation:	259.0000	Elevation FAA:	0.0000
Elevation FAA (M):	0.0000	Elevation (M):	78.9000
Structure Height:	159.0000	Structure Height (M):	48.5000
Structure Height FAA:	0.0000	Structure Height FAA (M):	48.5000
Supporting Struct Hgt:	0.0000	Supporting Struct Hgt (M):	0.0000
Tower Height:	0.0000	Tower Height (M):	0.0000
Structure Type:	TOW	Tower Type:	E
Key Remarks:		Date:	
Key Site:	43467	Record Action:	ADD
ID Exam:	ASB6	ID_ASB_ACC:	C
Paint and Lighting Specs:			
Special Conditions/Remarks:			

This record is for a license, and it may or may not indicate a site which has been built.

H44  
NNW  
1/2-1 mi  
5133

DOF10000072096  
FAA DOF

Nacg code:	09	Obs number:	0058
O or u:	O	State id:	DC
City name:	WASHINGTON	Latdeg:	38
Latmin:	54		
Latsec:	17.69		
Lat hemi:	N	Longdeg:	77
Longmin:	1		
Longsec:	57.92		
Long hemi:	W	Obs type:	BLDG
Frequency:	Not Reported	Aglt ht:	0166

# FCC & FAA SITES MAP FINDINGS TOWERS

**Map ID**  
**Direction**  
**Distance**  
**Distance (ft.)**

**EDR ID**  
**Database**

Amsl ht:	00238	Strobe ind:	N
Acc h:	1	Acc v:	A
Mark ind:	N	Faa stdy n:	03EA2273
Act acd dt:	CA4207	Datchk cd:	229973
Dat file:	AEA	Site id:	DOF100000072096

45  
NW  
1/2-1 mi  
5136

TOW100000074245  
TOWER

Tower ID:	67620	Latitude (in seconds):	140043
Tower Owner Name:	METRONET	Longitude (in seconds):	277338
815 CONN AVE., NW, WASHINGTON, DC		Transmitter Longitude	0770218
Latitude:	38 54' 140043"	Activation Date:	Apr 1 1986
Longitude:	77 2' 18"	FCC Date:	Jan 25 1985
Transmitter Latitude:	385403	FAA ID:	NONE
Construction Date:	99/99/1999	Antenna Height (M):	0.0000
FAA Date:		Beacon Height (M):	0.0000
File Number:	1739-CF-P-85	Elevation FAA:	0.0000
Antenna Height:	0.0000	Elevation (M):	67.1000
Beacon Height:	0.0000	Structure Height (M):	47.2000
Elevation:	220.0000	Structure Height FAA (M):	47.2000
Elevation FAA (M):	0.0000	Supporting Struct Hgt (M):	0.0000
Structure Height:	155.0000	Tower Height (M):	0.0000
Structure Height FAA:	0.0000	Tower Type:	E
Supporting Struct Hgt:	0.0000	Date:	
Tower Height:	0.0000	Record Action:	MOD
Structure Type:	TOW	ID_ASB_ACC:	C
Key Remarks:			
Key Site:	43474		
ID Exam:			
Paint and Lighting Specs:			
Special Conditions/Remarks:			

This record is for a license, and it may or may not indicate a site which has been built.

# FCC & FAA SITES MAP FINDINGS TOWERS

Map ID  
Direction  
Distance  
Distance (ft.)

EDR ID  
Database

H46  
NW  
1/2-1 mi  
5155

TOW100000050668  
TOWER

Tower ID:	34069		
Tower Owner Name:			
	, WASHINGTON, DC		
Latitude:	38 54' 140056"	Latitude (in seconds):	140056
Longitude:	77 2' 2"	Longitude (in seconds):	277322
Transmitter Latitude:	385416	Transmitter Longitude	0770202
Construction Date:	99/99/1999	Activation Date:	Jan 3 1984
FAA Date:	Oct 13 1983	FCC Date:	
File Number:	739-CF-P-84	FAA ID:	83-AEA-1175-OE
Antenna Height:	0.0000	Antenna Height (M):	0.0000
Beacon Height:	0.0000	Beacon Height (M):	0.0000
Elevation:	226.0000	Elevation FAA:	226.0000
Elevation FAA (M):	68.9000	Elevation (M):	68.9000
Structure Height:	149.0000	Structure Height (M):	45.4000
Structure Height FAA:	149.0000	Structure Height FAA (M):	45.4000
Supporting Struct Hgt:	0.0000	Supporting Struct Hgt (M):	0.0000
Tower Height:	0.0000	Tower Height (M):	0.0000
Structure Type:	TOW	Tower Type:	E
Key Remarks:		Date:	
Key Site:	43492	Record Action:	OLD
ID Exam:		ID_ASB_ACC:	C
Paint and Lighting Specs:			
Special Conditions/Remarks:			

This record is for a license, and it may or may not indicate a site which has been built.

# FCC & FAA SITES MAP FINDINGS

## AIRPORTS

EDR ID  
Database

AIR03074  
AIRPORTS

<p>Site Number: 03001.4*H          Airport Type: HELIPORT          County: WASHINGTON          Facility Name: WASHINGTON POST          Use: PR          Owner Address: Not Reported          Phone: 202-334-7100          Mgmt Address: 1150 15TH STREET NW          Mgmt Phone: 202-334-5104          Longitude: 077-02-03.916W          Elev (ft): 175          Aero chart: WASHINGTON          Dir from Business: N          Certified Date: Not Reported          Is Int'l Airport?: Not Reported          Inspection Method: 2          Last inspected: Not Reported          Lighting: PHONE REQ          Beacon Color: CY          Single engine: Not Reported          Jet engines: Not Reported          Gliders: Not Reported          Ultralights: Not Reported          Air taxis: Not Reported</p>	<p>State: DIST. OF COLUMBIA          City: WASHINGTON          Owner type: PR          Owner: WASHINGTON POST          City/State: Not Reported          Mgmt Name: TERRY WISEMAN          Mgmt City/St: WASHINGTON, DC 20071          Latitude: 38-54-15.402N          Lat Method: E          Elev method: E          Dist from Business: 00          Date Active: Not Reported          Fed agreements: Not Reported          Is Customs Airport?: Not Reported          Inspected by: N          Attendance: UNATNDD          Has ATC Tower: N          Landing fee: N          Multi engine: Not Reported          Helicopters: Not Reported          Military: Not Reported          Commercial: Not Reported          Local ops: Not Reported</p>
<p>Runway id: H1          Width: 66          Lights Intensity: LOW          Markings: Not Reported          Longitude: Not Reported          Approach lights: Not Reported          Centerline Lights: Not Reported          Recip End ID: Not Reported          Recip Lat: Not Reported          Recip Elev: Not Reported          Recip End Lgts: Not Reported</p>	<p>Length: 139          Surface: ASPH          Base End Id: H1          Latitude: Not Reported          Elevation: Not Reported          End Lights: Not Reported          Touchdown Lights: Not Reported          Recip markings: Not Reported          Recip Long: Not Reported          Recip App Lgts: Not Reported          Recip Ctr Lgts: Not Reported</p>



# FCC & FAA SITES MAP FINDINGS POWERLINES

EDR ID  
Database

POW0011615  
POWERLINES

Msid: MSX1007178- 1  
Range\_flg: 0  
Type: AC  
Corridor: N  
Own\_name: Dominion  
Ownr\_flg: S  
Physaddress: One James River Plaza  
Physstate: Virginia  
Mailaddress: PO Box 26666  
Mailstate: Virginia  
Phone: 804-771-3000  
Webpage: www.vapower.com

Voltage: 230  
Hi\_range: 0  
Status: AC  
Ownr\_id: DOMRES  
Opr\_id: VPCO  
Coname: Dominion Virginia Power  
Physcity: Richmond  
Physlpost: 23219  
Mailcity: Richmond  
Mailpostal: 23261  
Fax: 804-273-4458

## KEY CONTACTS & GOVERNMENT RECORDS SEARCHED

Various Federal laws and executive orders address specific environmental concerns. NEPA requires the responsible offices to integrate to the greatest practical extent the applicable procedures required by these laws and executive orders. EDR provides key contacts at agencies charged with implementing these laws and executive orders to supplement the information contained in this report.

### **NATURAL AREAS**

#### **Officially designated wilderness areas**

##### Government Records Searched in This Report

FED\_LAND: Federal Lands

Source: USGS

Telephone: 703-648-5094

Federal data from Bureau of Land Management, National Park Service, Forest Service, and Fish and Wildlife Service.

- National Parks
- Forests
- Monuments
- Wildlife Sanctuaries, Preserves, Refuges
- Federal Wilderness Areas.

Date of Government Version: 12/31/2005

##### Federal Contacts for Additional Information

National Park Service, National Capital Region

1100 Ohio Drive, SW

Washington, DC 20242

202-619-7256

Fish & Wildlife Service, Region 5

Div. Of Personnel Mgmt. 300 Westgate Center Drive

Hadley, MA 01035-9589

413-253-8313

#### **Officially designated wildlife preserves, sanctuaries and refuges**

##### Government Records Searched in This Report

FED\_LAND: Federal Lands

Source: USGS

Telephone: 703-648-5094

Federal data from Bureau of Land Management, National Park Service, Forest Service, and Fish and Wildlife Service.

- National Parks
- Forests
- Monuments
- Wildlife Sanctuaries, Preserves, Refuges
- Federal Wilderness Areas.

Date of Government Version: 12/31/2005

##### Federal Contacts for Additional Information

Fish & Wildlife Service, Region 5

Div. Of Personnel Mgmt. 300 Westgate Center Drive

Hadley, MA 01035-9589

413-253-8313

##### State Contacts for Additional Information

## KEY CONTACTS & GOVERNMENT RECORDS SEARCHED

### **Wild and scenic rivers**

#### Government Records Searched in This Report

##### FED\_LAND: Federal Lands

Source: USGS

Telephone: 703-648-5094

Federal data from Bureau of Land Management, National Park Service, Forest Service, and Fish and Wildlife Service.

- National Parks
- Forests
- Monuments
- Wildlife Sanctuaries, Preserves, Refuges
- Federal Wilderness Areas.

Date of Government Version: 12/31/2005

#### Federal Contacts for Additional Information

##### Fish & Wildlife Service, Region 5

Div. Of Personnel Mgmt. 300 Westgate Center Drive

Hadley, MA 01035-9589

413-253-8313

### **Endangered Species**

#### Government Records Searched in This Report

##### Endangered Species Protection Program Database

A listing of endangered species by county.

Source: Environmental Protection Agency

Telephone: 703-305-5239

#### Federal Contacts for Additional Information

##### Fish & Wildlife Service, Region 5

Div. Of Personnel Mgmt. 300 Westgate Center Drive

Hadley, MA 01035-9589

413-253-8313

#### State Contacts for Additional Information

### **LANDMARKS, HISTORICAL, AND ARCHEOLOGICAL SITES**

#### **Historic Places**

#### Government Records Searched in This Report

##### National Register of Historic Places:

The National Register of Historic Places is the official federal list of districts, sites, buildings, structures, and objects significant in American history, architecture, archeology, engineering, and culture. These contribute to an understanding of the historical and cultural foundations of the nation.

The National Register includes:

- All prehistoric and historic units of the National Park System;
- National Historic Landmarks, which are properties recognized by the Secretary of the Interior as possessing national significance; and
- Properties significant in American, state, or local prehistory and history that have been nominated by State Historic Preservation Officers, federal agencies, and others, and have been approved for listing by the National Park Service.

Date of Government Version: 03/23/2006

## KEY CONTACTS & GOVERNMENT RECORDS SEARCHED

### Federal Contacts for Additional Information

Park Service; Advisory Council on Historic Preservation  
1849 C Street NW  
Washington, DC 20240  
Phone: (202) 208-6843

### State Contacts for Additional Information

Historic Preservation Division 202-442-4570

### **Indian Religious Sites**

#### Government Records Searched in This Report

##### Indian Reservations:

This map layer portrays Indian administrated lands of the United States that have any area equal to or greater than 640 acres.

Source: USGS

Phone: 888-275-8747

Date of Government Version: 12/31/2005

### Federal Contacts for Additional Information

Department of the Interior- Bureau of Indian Affairs  
Office of Public Affairs  
1849 C Street, NW  
Washington, DC 20240-0001  
Office: 202-208-3711  
Fax: 202-501-1516

### National Association of Tribal Historic Preservation Officers

1411 K Street NW, Suite 700  
Washington, DC 20005  
Phone: 202-628-8476  
Fax: 202-628-2241

### State Contacts for Additional Information

A listing of local Tribal Leaders and Bureau of Indian Affairs Representatives can be found at:  
<http://www.doi.gov/bia/areas/agency.html>

## **FLOOD PLAIN, WETLANDS AND COASTAL ZONE**

### **Flood Plain Management**

#### Government Records Searched in This Report

Flood Zone Data: This data, available in select counties across the country, was obtained by EDR in 1999 from the Federal Emergency Management Agency (FEMA). Data depicts 100-year and 500-year flood zones as defined by FEMA.

### Federal Contacts for Additional Information

Federal Emergency Management Agency 877-3362-627

### State Contacts for Additional Information

## KEY CONTACTS & GOVERNMENT RECORDS SEARCHED

### **Wetlands Protection**

#### Government Records Searched in This Report

NWI: National Wetlands Inventory. This data, available in select counties across the country, was obtained by EDR in 2004 from the U.S. Fish and Wildlife Service.

#### Federal Contacts for Additional Information

Fish & Wildlife Service 813-570-5412

#### State Contacts for Additional Information

### **Coastal Zone Management**

#### Government Records Searched in This Report

#### CAMA Management Areas

Dept. of Env., Health & Natural Resources  
919-733-2293

#### Federal Contacts for Additional Information

#### Office of Ocean and Coastal Resource Management

N/ORM, SSMC4  
1305 East-West Highway  
Silver Spring, Maryland 20910  
301-713-3102

#### State Contacts for Additional Information

### **FCC & FAA SITES MAP**

For NEPA actions that come under the authority of the FCC, the FCC requires evaluation of Antenna towers and/or supporting structures that are to be equipped with high intensity white lights which are to be located in residential neighborhoods, as defined by the applicable zoning law.

#### Government Records Searched in This Report

#### **Cellular**

#### Federal Communications Commission

Mass Media Bureau  
2nd Floor - 445 12th Street SW  
Washington DC 20554 USA  
Telephone (202) 418-2700

Portions copyright (C) 1999 Percon Corporation. All rights reserved.

#### **Tower**

#### Federal Communications Commission

Mass Media Bureau  
2nd Floor - 445 12th Street SW  
Washington DC 20554 USA  
Telephone (202) 418-2700

Portions copyright (C) 1999 Percon Corporation. All rights reserved.

#### **Antenna Registration**

#### Federal Communications Commission

Mass Media Bureau  
2nd Floor - 445 12th Street SW  
Washington DC 20554 USA  
Telephone (202) 418-2700

Portions copyright (C) 1999 Percon Corporation. All rights reserved.

## KEY CONTACTS & GOVERNMENT RECORDS SEARCHED

### **AM Tower**

Federal Communications Commission  
Mass Media Bureau  
2nd Floor - 445 12th Street SW  
Washington DC 20554 USA  
Telephone (202) 418-2700

### **FAA Digital Obstacle File**

Federal Aviation Administration (FAA)  
1305 East-West Highway, Station 5631  
Silver Spring, MD 20910-3281  
Telephone: 301-713-2817  
Describes known obstacles of interest to aviation users in the US. Used by the Federal Aviation Administration (FAA) and the National Oceanic and Atmospheric Administration to manage the National Airspace System.

### **Airport Landing Facilities**

Federal Aviation Administration  
Telephone (800) 457-6656  
Private and public use landing facilities.

### **Electric Power Transmission Line Data**

PennWell Corporation  
Telephone: (800) 823-6277  
This map includes information copyrighted by PennWell Corporation. This information is provided on a best effort basis and PennWell Corporation does not guarantee its accuracy nor warrant its fitness for any particular purpose. Such information has been reprinted with the permission of PennWell.

### **Excessive Radio Frequency Emission**

For NEPA actions that come under the authority of the FCC, Commission actions granting construction permits, licenses to transmit or renewals thereof, equipment authorizations or modifications in existing facilities, require the determination of whether the particular facility, operation or transmitter would cause human exposure to levels of radio frequency in excess of certain limits.

### Federal Contacts for Additional Information

Office of Engineering and Technology  
Federal Communications Commission  
445 12th Street SW  
Washington, DC 20554  
Phone: 202-418-2470

### **OTHER CONTACT SOURCES**

#### **NEPA Single Point of Contact**

State Contacts for Additional Information  
Office of Grants Management & Development  
717 14th Street, N.W.  
2nd Floor  
Washington, DC 20005  
202-727-1705

## KEY CONTACTS & GOVERNMENT RECORDS SEARCHED

### STREET AND ADDRESS INFORMATION

(c) 2006 Tele Atlas North America, Inc. All rights reserved. This material is proprietary and the subject of copyright protection and other intellectual property rights owned by or licensed to Tele Atlas North America, Inc. The use of this material is subject to the terms of a license agreement. You will be held liable for any unauthorized copying or disclosure of this material.

**APPENDIX C**  
**SUPPORTING DOCUMENTATION**



GOVERNMENT OF THE DISTRICT OF COLUMBIA  
HISTORIC PRESERVATION OFFICE  
OFFICE OF PLANNING



August 15, 2008

Mr. Richard Judson  
Director, Space and Security Management Division (NAS)  
National Archives and Records Administration  
8601 Adelphi Road  
College Park, MD 20740-6001

RE: National Archives Flood Control Walls

Dear Mr. Judson:

Thank you for contacting the DC State Historic Preservation Office (DC SHPO) regarding the above-referenced undertaking. We have reviewed your submittal in accordance with Section 106 of the National Historic Preservation Act and are writing to provide our comments regarding effects on historic properties.

As you will recall, DC SHPO staff participated in the May 22, 2008 meeting in which the proposed flood control project was discussed along with representatives from the Commission of Fine Arts (CFA) and the National Capital Planning Commission (NCPC). We appreciate your following up with drawings that reflect the concerns expressed during that meeting. Based upon our review of the revised plans, we have determined that the proposed flood control measures will have “no adverse effect” upon the National Archives Building, a property that is listed in the National Register of Historic Places. Therefore, no further DC SHPO review or comment will be necessary.

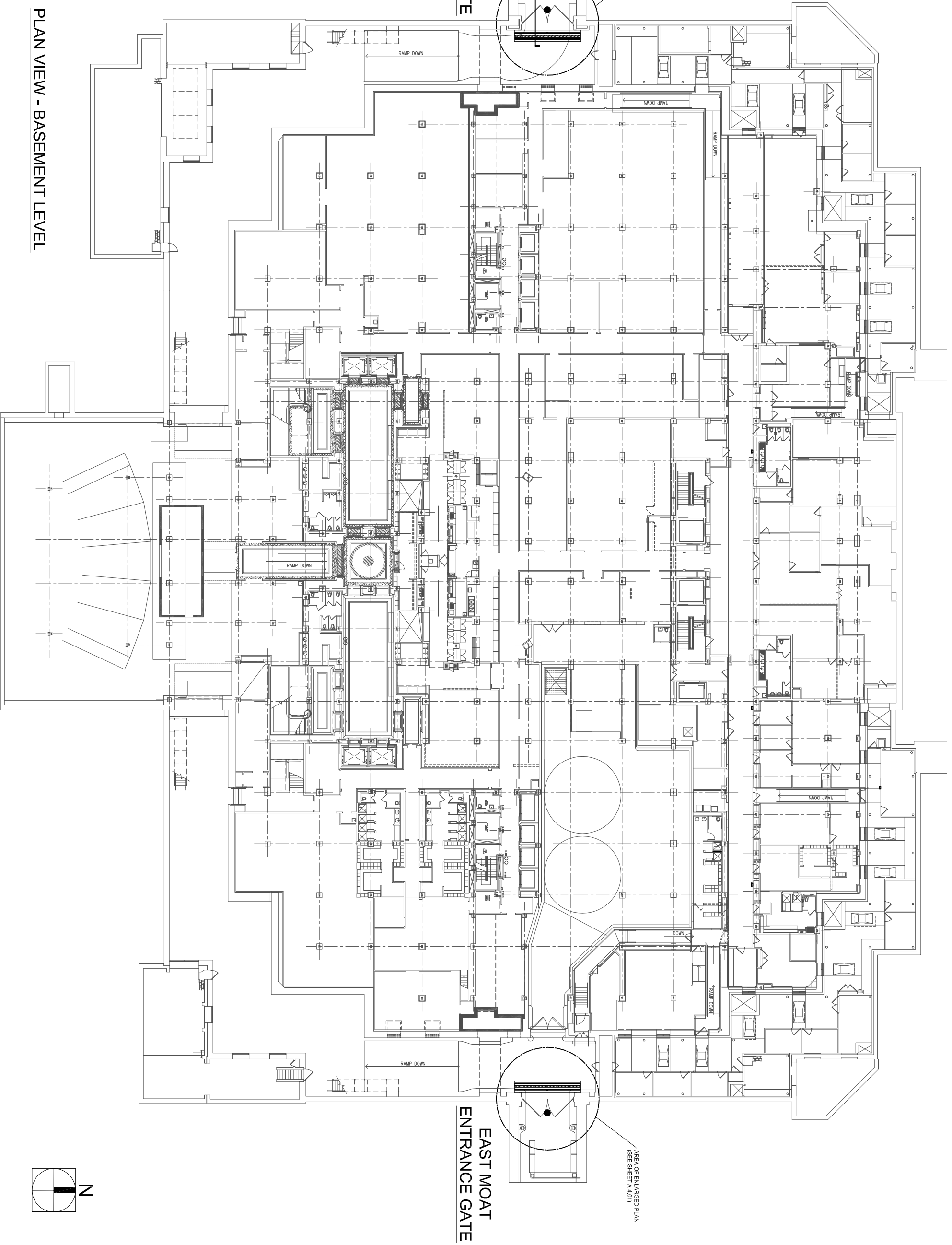
If you should have any questions or comments regarding this matter, please contact me at [andrew.lewis@dc.gov](mailto:andrew.lewis@dc.gov) or 202-442-8841. Otherwise, thank you for providing an opportunity to review and comment on this important project.

Sincerely,

/S/

C. Andrew Lewis  
Senior Historic Preservation Specialist  
DC State Historic Preservation Office

08-290



**HEERY**  
 ARCHITECT  
 HEERY INTERNATIONAL, INC.  
 1099 14th STREET, NW SUITE 101  
 WASHINGTON, DC 20005  
 202 463 8200 PHONE  
 202 463 8284 FAX

THE  
**NATIONAL ARCHIVES**  
 ARCHIVES.GOV  
 Democracy Starts Here.

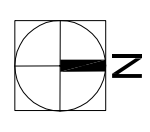
**NATIONAL ARCHIVES AND RECORDS ADMINISTRATION**

Proposed Moat Entry Flood Control Walls  
 Self-Closing Wall SCW-570 Custom

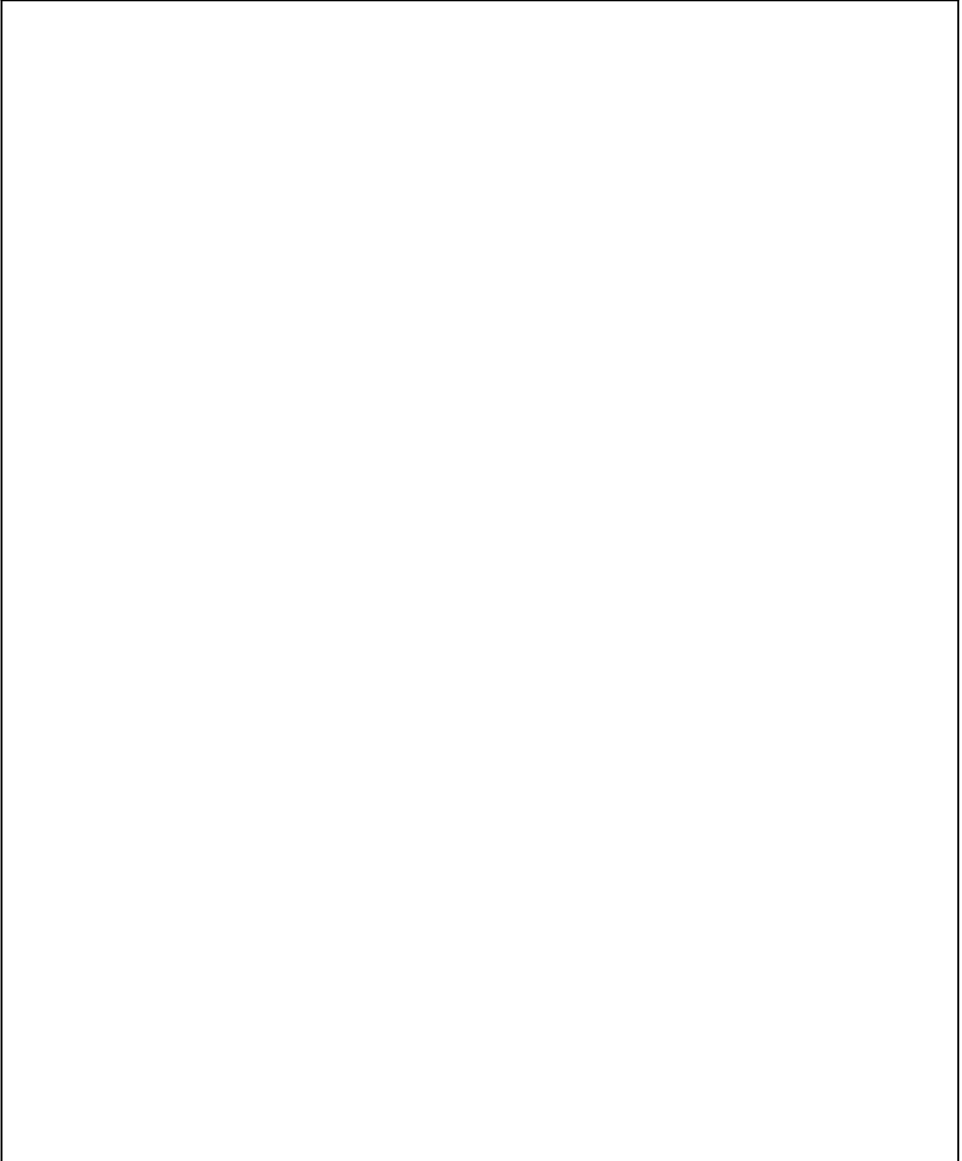
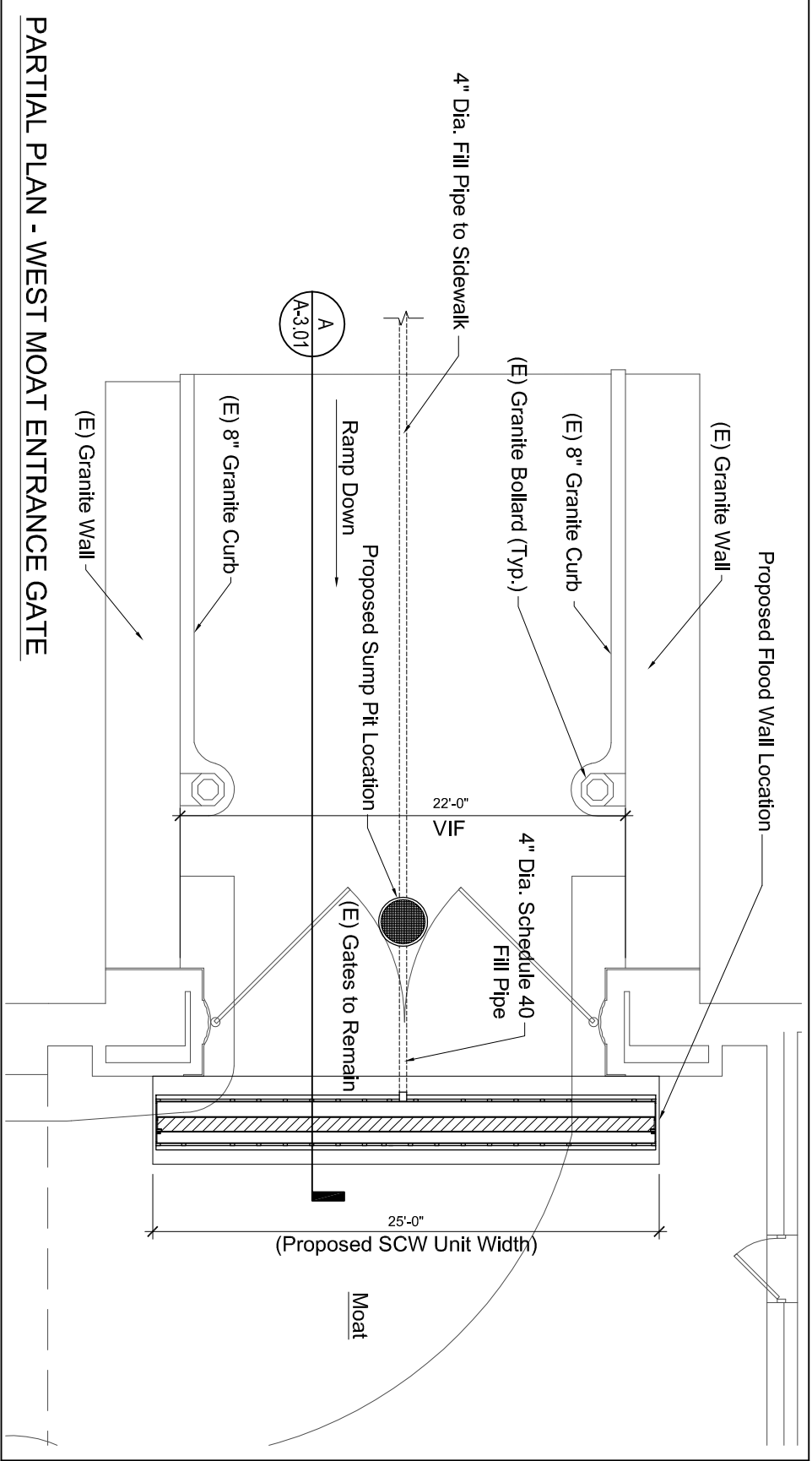
APPROVAL:  
 SIGNATURE \_\_\_\_\_ DATE \_\_\_\_\_  
 SIGNATURE \_\_\_\_\_ DATE \_\_\_\_\_  
 SIGNATURE \_\_\_\_\_ DATE \_\_\_\_\_

**A-1.01B**

COMMISSION 04130-33  
 DRAWN WBSV  
 CHECKED BY HK  
 DATE: JUNE 18, 2008  
 SCALE: NTS



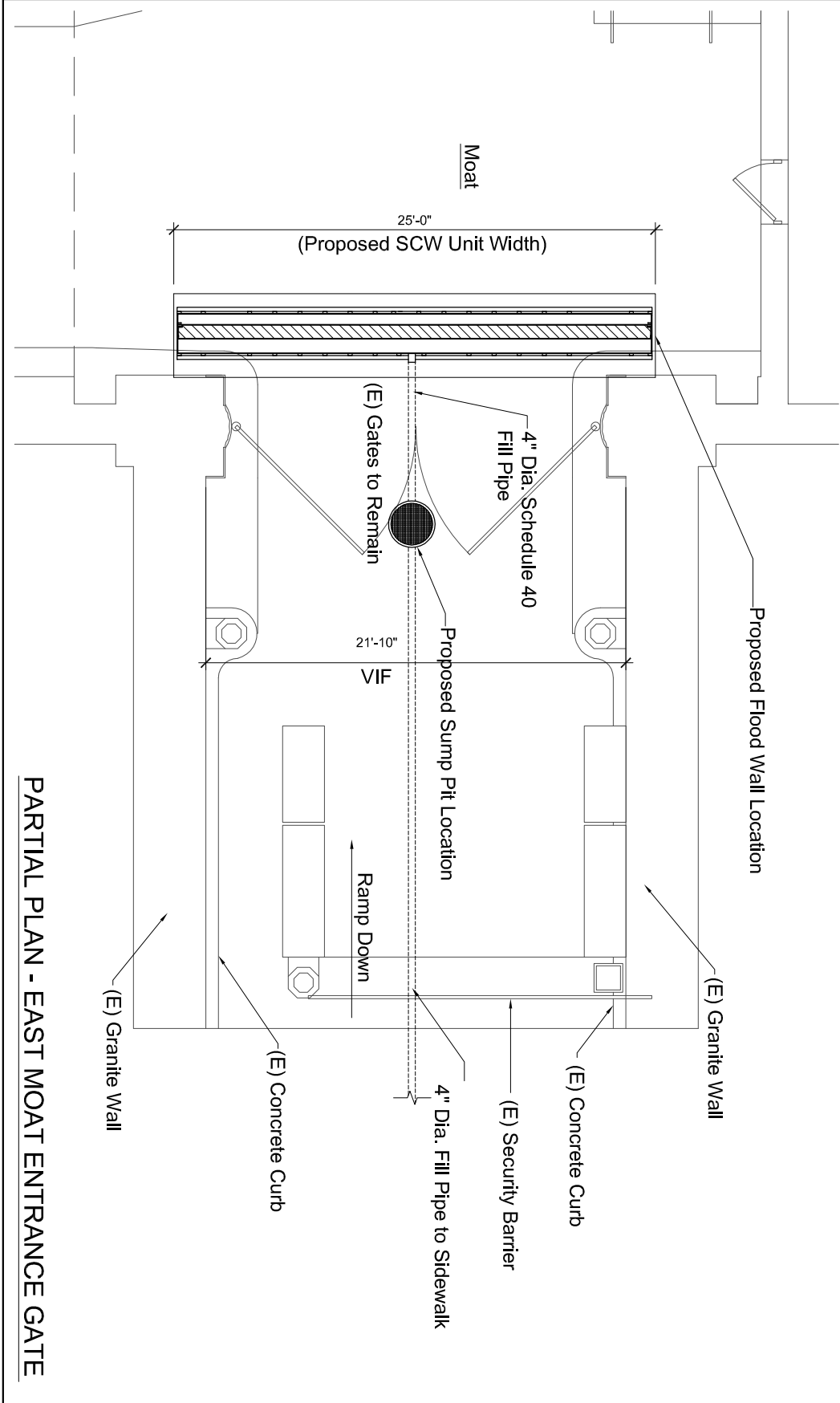
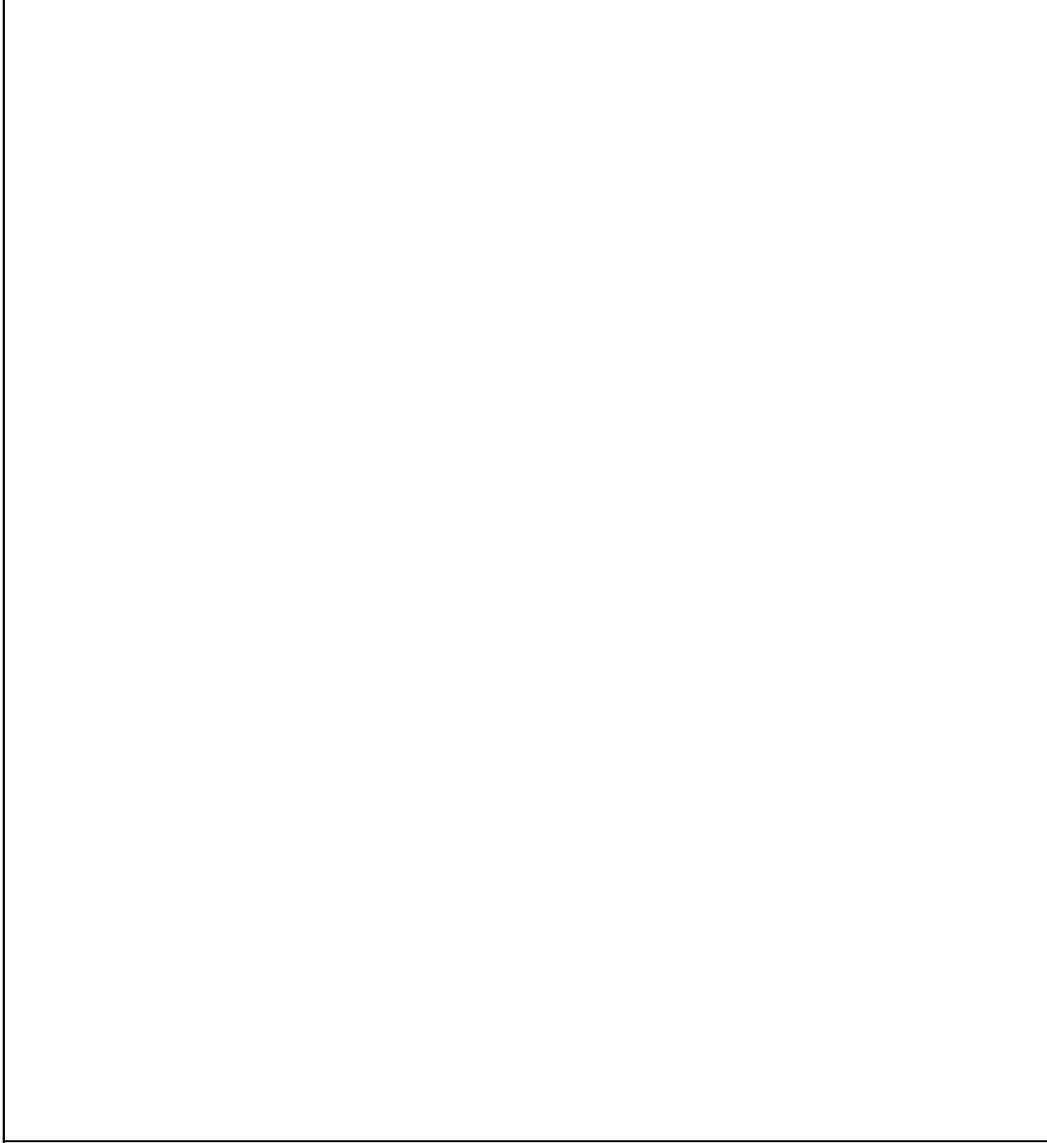
PLAN VIEW - BASEMENT LEVEL



**NATIONAL ARCHIVES AND RECORDS ADMINISTRATION**

ARCHITECT  
HEERY ARCHITECTS INTERNATIONAL, INC.  
1089 14th STREET, NW, SUITE 101  
WASHINGTON, DC 20005  
202 463 9200 PHONE  
202 463 9284 FAX

THE NATIONAL ARCHIVES  
ARCHIVES.GOV  
Democracy Starts Here.



**Proposed Moat Entry Flood Control Walls**  
**Self-Closing Wall SCW-570 Custom**

APPROVAL:

SIGNATURE _____	DATE _____
SIGNATURE _____	DATE _____
SIGNATURE _____	DATE _____

**A-4.01**

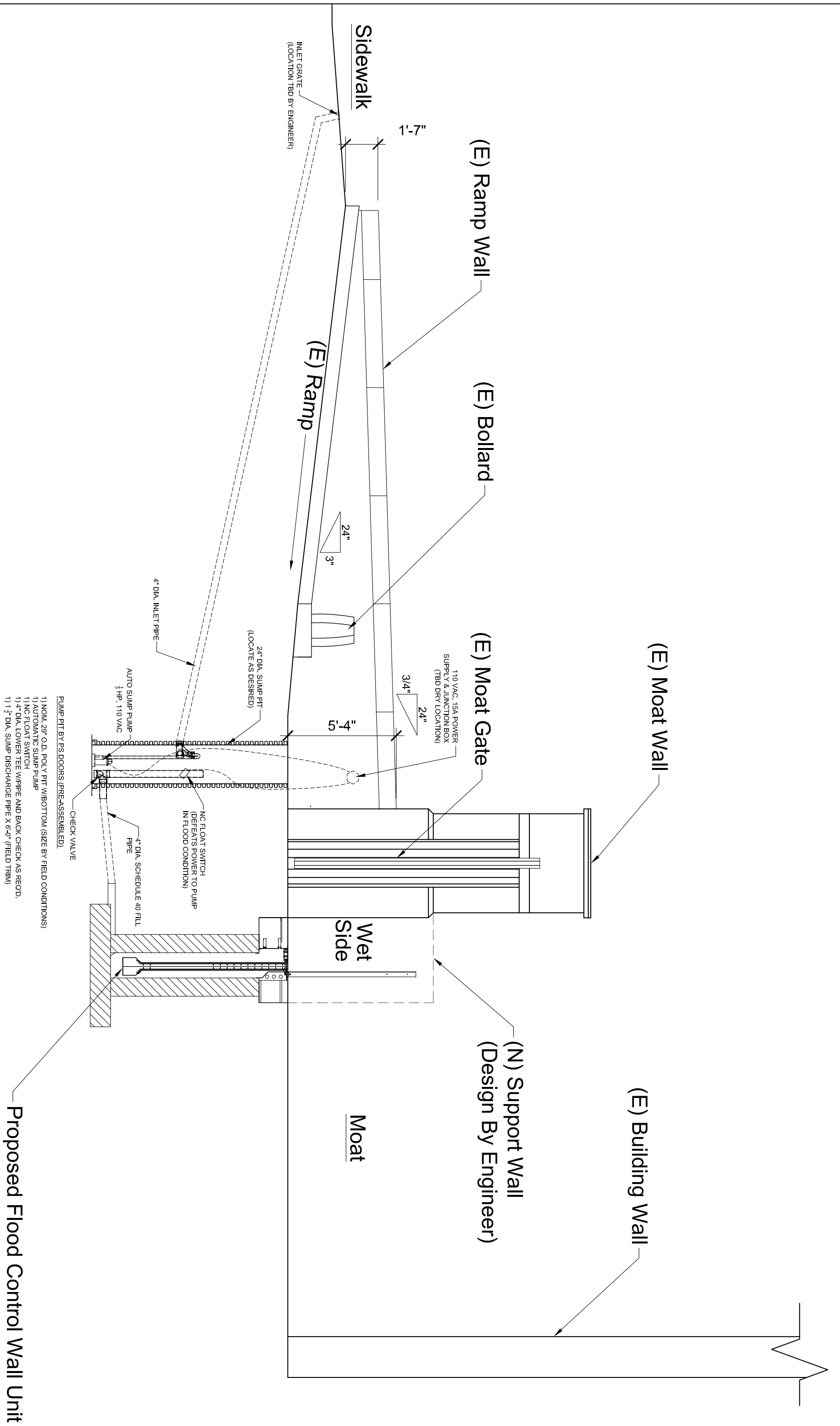
COMMISSION	04130-33
DRAWN	WBV
CHECKED BY	HK
DATE	JUNE 18, 2008
SCALE	1/8" = 1'-0"

APPROVAL:

SIGNATURE _____	DATE _____
SIGNATURE _____	DATE _____
SIGNATURE _____	DATE _____

**A-3.01**

COMMISSION	04130-33
DRAWN	WBV
CHECKED BY	HK
DATE	JUNE 18, 2008
SCALE	NTS



PARTIAL SECTION A - WEST MOAT ENTRANCE GATE (East Moat Entrance Similar)

# STRUCTURAL NOTES

## SCOPE

THIS DRAWING IS LIMITED TO STRUCTURAL DESIGN OF THE SELF CLOSING FLOOD WALL STRUCTURE AND REQUIRED UNDERPINNING OF EXISTING STRUCTURE.

## BUILDING CODE

THE 2000 INTERNATIONAL BUILDING CODE (IBC)

## EXISTING BUILDING

ALL INFORMATION ON THE EXISTING BUILDING, SHOWN IN THESE PLANS, IS OBTAINED FROM THE BEST AVAILABLE SOURCES. SOME OF THIS INFORMATION IS NOT AS-BUILT DATA, AND THE ACTUAL AS-BUILT CONSTRUCTIONS WILL DIFFER FROM WHAT IS ASSUMED. THE CONTRACTOR SHALL VERIFY ALL THE INFORMATION AND INFORM THE ENGINEERS OF ALL VARIATIONS. EXTREME CARE & SAFETY MEASURES MUST BE TAKEN BY THE GENERAL CONTRACTOR SO AS NOT TO DAMAGE THE EXISTING STRUCTURE IN ANY WAY. ANY DAMAGE TO THE EXISTING STRUCTURE RESULTING FROM CONSTRUCTION WORK SHALL BE THE SOLE RESPONSIBILITY OF THE GENERAL CONTRACTOR.

CONTRACTOR TO EXPOSE AND VERIFY SIZES OF ALL STRUCTURAL MEMBERS INDICATED ON THE STRUCTURAL CONSTRUCTION DOCUMENTS AND SUBMIT AS-BUILT SHOP DRAWINGS PROVIDING LOCATION AND SIZE OF ALL STEEL OR CONCRETE MEMBERS PROPOSED TO BE MODIFIED.

## DEMOLITION

DEMOLITION INCLUDES CONTROLLED DESTRUCTION OF STRUCTURES AND THE REMOVAL AND DISPOSAL OF DEMOLISHED MATERIALS AS SHOWN ON THE DRAWINGS AND/OR AS INCLUDED IN THESE NOTES.

DEMOLITION SHALL BE PERFORMED IN SECTIONS SMALL ENOUGH SO AS NOT TO ENDANGER ANY ADJACENT MATERIALS, FACILITIES OR EMBANKMENTS TO REMAIN IN PLACE.

PROVIDE ADEQUATE SHORING, BRACING, AND PROTECTION TO PREVENT MOVEMENT, SETTLEMENT, COLLAPSE OR DAMAGE TO EXISTING MATERIALS, FACILITIES OR EMBANKMENTS WHICH ARE TO REMAIN. CONTRACTOR SHALL SUBMIT COMPLETE DETAILS OF SHORING PROCEDURES SIGNED BY A REGISTERED PROFESSIONAL ENGINEER PRIOR TO BEGINNING WORK.

CONTRACTOR SHALL REMOVE ALL FINISHES, SUCH AS PLASTER, STUCCO, ETC. SO THAT SHORING WILL BE IN DIRECT CONTACT WITH STRUCTURAL MEMBERS.

PROMPTLY REPAIR ALL DAMAGES CAUSED BY THE DEMOLITION TO ADJACENT FACILITIES, MATERIALS OR EMBANKMENTS AT NO COST TO THE OWNER.

## FOUNDATIONS

ASSUMED SOIL BEARING VALUE: 2000 PSF  
ASSUMED LATERAL EARTH PRESSURES AT BUILDING WALLS: 45 PSF

ALL SPREAD FOOTINGS SHALL EXTEND A MINIMUM 6" INTO UNDISTURBED SOIL OR SHALL BE FOUNDED IN APPROVED STRUCTURAL FILL. CONTRACTOR SHALL VERIFY SIZE OF EXISTING FOUNDATIONS AT NEW FOUNDATIONS. SOIL BEARING VALUES AT FOUNDATION BEARING SHALL BE CONFIRMED AND VERIFIED DURING CONSTRUCTION BY A QUALIFIED GEOTECHNICAL ENGINEER.

## BACKFILL

THE CONTRACTOR SHALL TAKE ALL NECESSARY PRECAUTIONS TO BRACE FOUNDATION WALLS WHEN BACKFILLING. BACKFILLING AGAINST WALLS SHALL NOT BE PERMITTED UNTIL WALLS ARE ADEQUATELY BRACED. WALLS RECEIVING BACK FILL ON BOTH SIDES SHALL HAVE BOTH FACES BACK FILLED SIMULTANEOUSLY.

## SLABS ON GRADE

6" CONCRETE SLAB REINFORCED WITH 6X6-M4XM4 WELDED WIRE MESH ON VAPOR BARRIER OVER 6" CRUSHED STONE OR WASHED GRAVEL. EARTH FILL COMPACTED IN 8" LAYERS TO AT LEAST 95% OF THE MAXIMUM DRY DENSITY AS DETERMINED BY ASTM D-698, STANDARD PROCTOR.

## STRUCTURAL CONCRETE

ALL CONCRETE WORK SHALL BE IN ACCORDANCE WITH THE LATEST EDITIONS OF THE AMERICAN CONCRETE INSTITUTE (ACI) STANDARD 318 BUILDING CODE REQUIREMENTS FOR REINFORCED CONCRETE. DETAILING SHALL BE IN ACCORDANCE WITH ACI MANUAL SP66 AND STANDARD 318, LATEST EDITIONS.

SHOP DRAWINGS SHOWING REINFORCING DETAILS, INCLUDING STEEL SIZES, SPACING AND PLACEMENT, SHALL BE SUBMITTED TO THE ARCHITECT FOR REVIEW PRIOR TO FABRICATION.

EMPLOY AN ACCEPTABLE TESTING LABORATORY TO PERFORM MATERIALS EVALUATION, TESTING AND DESIGN OF CONCRETE MIXES.

DESIGN COMPRESSIVE STRENGTH AT 28 DAYS SHALL BE 3500 PSI FOR ALL CONCRETE. ALL CONCRETE TO HAVE REGULAR WEIGHT AGGREGATE. MAINTAIN THE FOLLOWING MAXIMUM WATER TO CEMENT RATIO:

3500 PSI - 0.50

REINFORCING STEEL SHALL CONFORM TO ASTM 615, GRADE 60, INCLUDING SUPPLEMENTAL REQUIREMENTS S-1. WELDED WIRE FABRIC SHALL CONFORM TO ASTM A185. ALL LAP SPLICES ARE MIN 36φ.

THE FOLLOWING MINIMUM CONCRETE COVER SHALL BE PROVIDED FOR REINFORCEMENT UNLESS DETAILED OTHERWISE:

CONCRETE CAST AGAINST AND PERMANENTLY EXPOSED TO EARTH: 3 in.

CONCRETE EXPOSED TO EARTH OR WEATHER:

#6 BAR AND LARGER: 2 in.  
#5 BAR AND SMALLER: 1 1/2 in.

## CONCRETE SUBMITTALS

SUBMIT CONCRETE MIX DESIGNS TO DESIGN ENGINEER FOR APPROVAL BEFORE PROCEEDING.

APPROVAL:

SIGNATURE	DATE
SIGNATURE	DATE
SIGNATURE	DATE

S-1

COMMISSION	04130C-33
DRAWN	GTM
CHECKED BY	UAM
DATE	JULY 23, 2008
MA PROJECT #	8022



CONCRETE TESTING

EMPLOY A TESTING LABORATORY TO PERFORM THE FOLLOWING TESTING. SLUMP, AIR CONTENT, WATER CONTENT AND TEMPERATURE TESTS MUST BE PERFORMED WITH EACH SET OF COMPRESSION TEST CYLINDERS.

1. COMPRESSIVE STRENGTH TESTING. COMPLY WITH ASTM C31, ASTM C172-99, ASTM C39, AND AS FOLLOWS:
  - A. PROVIDE 4 CYLINDERS MINIMUM FROM EACH DAY'S POUR.
  - B. PROVIDE 4 CYLINDERS FOR EACH FIFTY - (50) CUBIC YARDS OR FRACTION THEREOF POURED ON EACH DATE.
  - C. SAMPLES SHALL BE TESTED AND REPORTS PROVIDED FOR CONCRETE SAMPLES, 1 SAMPLE AT 7 DAYS, 2 AT 28 DAYS AND 1 TO HOLD.
2. SLUMP TESTING: COMPLY WITH ASTM C 143.
3. WATER CONTENT TESTING: COMPLY WITH AASHTO T318

CONCRETE SLAB REPAIR

REPAIR ALL CRACKS IN CONCRETE SLABS ON GRADE WHERE CRACK WIDTH EXCEEDS 1/16" AS FOLLOWS:

ROUT OUT CRACK IN SLAB WITH CRACK CHASER OR SAW CUT TO A MINIMUM WIDTH OF 1/2" AND 1" DEEP. FILL VOID WITH EUCO 700 OR PLASTISEAL JOINT FILLERS PER MANUFACTURERS SPECIFICATIONS.

SCHEDULE OF SPECIAL INSPECTIONS (IBC REFERENCES SECTION 1704)

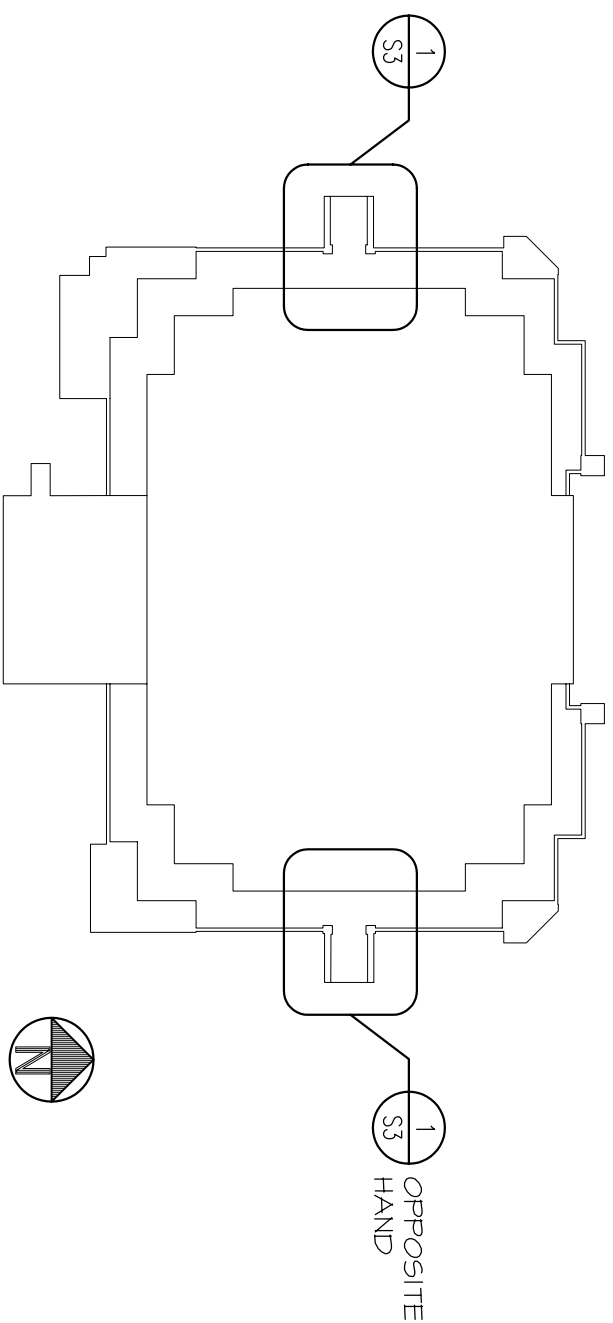
- INSPECTION OF FABRICATORS (1704.2)
- . IMPLEMENTATION PROCEDURES (1704.2.1)
  - . APPROVAL (1704.2.2)
- CONCRETE CONSTRUCTION (1704.4)
- . MATERIALS (1704.4.1)

SOILS (1704.7)

- . SITE PREPARATION (1704.7.1)
- . DURING FILL PLACEMENT (1704.7.2)
- . EVALUATION OF IN-PLACE DENSITY (1704.7.3)

# ABBREVIATIONS

AL.T.	-	ALTERNATE	-	EQ.	-	EQUAL
A.I.S.C.	-	AMERICAN INSTITUTE OF STEEL CONSTRUCTION	-	EX.	-	EXISTING
A.S.T.M.	-	AMERICAN SOCIETY OF TESTING AND MATERIALS	-	E.J.	-	EXPANSION JOINT
APP'D.	-	APPROVED	-	EXT.	-	EXTERIOR
ARCH.	-	ARCHITECT	-	F.Y.	-	MATERIALS MINIMUM YIELD STRENGTH
@	-	AT	-	G.C.	-	GENERAL CONTRACTOR
BRDG.	-	BRIDGING	-	H.K.	-	HOOK
BLDG.	-	BUILDING	-	I.F.	-	INSIDE FACE
CL.	-	CENTERLINE	-	K.SI.	-	KIPS PER SQUARE INCH
CL.R.	-	CLEAR	-	M.H.	-	MANHOLE
CONN.	-	CONNECTION	-	O.C.	-	ON CENTER
CONSTR.	-	CONSTRUCTION	-	P.C.F.	-	POUNDS PER CUBIC FOOT
CONT.	-	CONTINUOUS	-	P.S.I.	-	POUNDS PER SQUARE FOOT
CONTR.	-	CONTRACTOR	-	REINF.	-	REINFORCED
DTL.	-	DETAIL	-	REQ'D	-	REQUIRED
DIA. OR $\phi$	-	DIAMETER	-	SECT.	-	SECTION
DIM.	-	DIMENSION	-	SIM.	-	SIMILAR
DISC.	-	DISCONTINUOUS	-	SPEC.	-	SPECIFICATION
DBL.	-	DOUBLE	-	STD.	-	STANDARD
DWL.S.	-	DOWELS	-	STL.	-	STEEL
DN.	-	DOWN	-	STRUCT.	-	STRUCTURAL
DWG.	-	DRAWING	-	SYM.	-	SYMMETRICAL
EA.	-	EACH	-	T.O.S.	-	TOP OF SLAB
E.E.	-	EACH END	-	T.S.	-	TOP OF STEEL
E.M.	-	EACH WAY	-	TYP.	-	TYPICAL
EL.	-	ELEVATION	-	U.O.N.	-	UNLESS OTHERWISE NOTED
ELEV.	-	ELEVATOR	-	VERT.	-	VERTICAL
ENGR.	-	ENGINEER	-	W	-	WITH
	-		-	W/O	-	WITHOUT



## KEY PLAN

APPROVAL:

SIGNATURE	DATE
SIGNATURE	DATE
SIGNATURE	DATE

NATIONAL ARCHIVES AND  
 RECORDS ADMINISTRATION

Proposed Moat Entry Flood Control Walls  
 Self-Closing Wall SCW-570 Custom

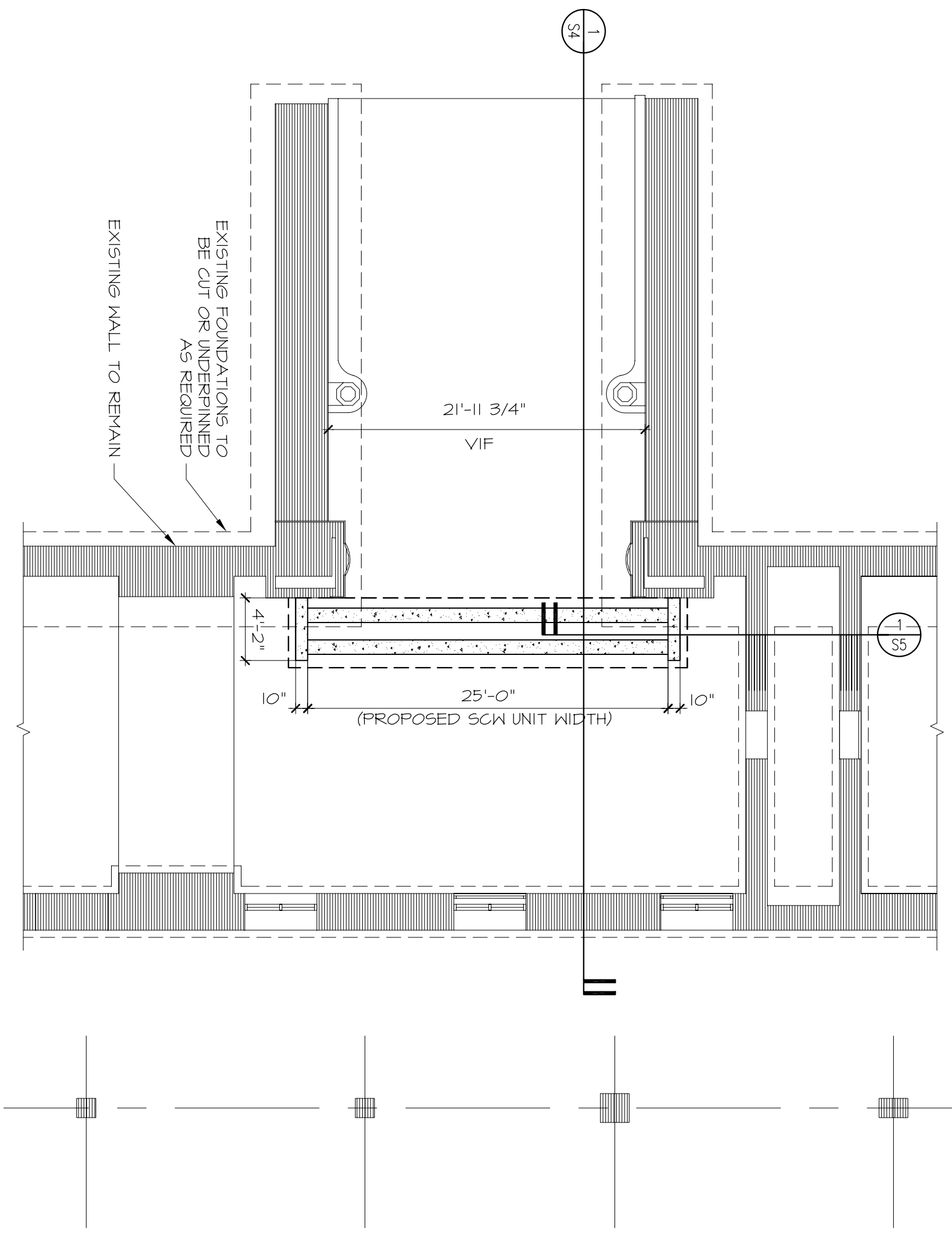
MESEN ASSOCIATES, P.C.  
 CONSULTING STRUCTURAL ENGINEERS  
 8481 BRACED LANE, SUITE 100, GREENBELT, VA 22182  
 PHONE (703) 860-7700 FAX (703) 860-7708

APPROVAL:

SIGNATURE	DATE
SIGNATURE	DATE
SIGNATURE	DATE

**S-3**

COMMISSION	04130-33
DRAWN	GTM
CHECKED BY	UAM
DATE	JULY 23, 2008
MA PROJECT #	8022



1  
 S7

FOUNDATION PLAN

1/8" = 1'-0"



NATIONAL ARCHIVES AND  
 RECORDS ADMINISTRATION

Proposed Moat Entry Flood Control Walls  
 Self-Closing Wall SCW-570 Custom

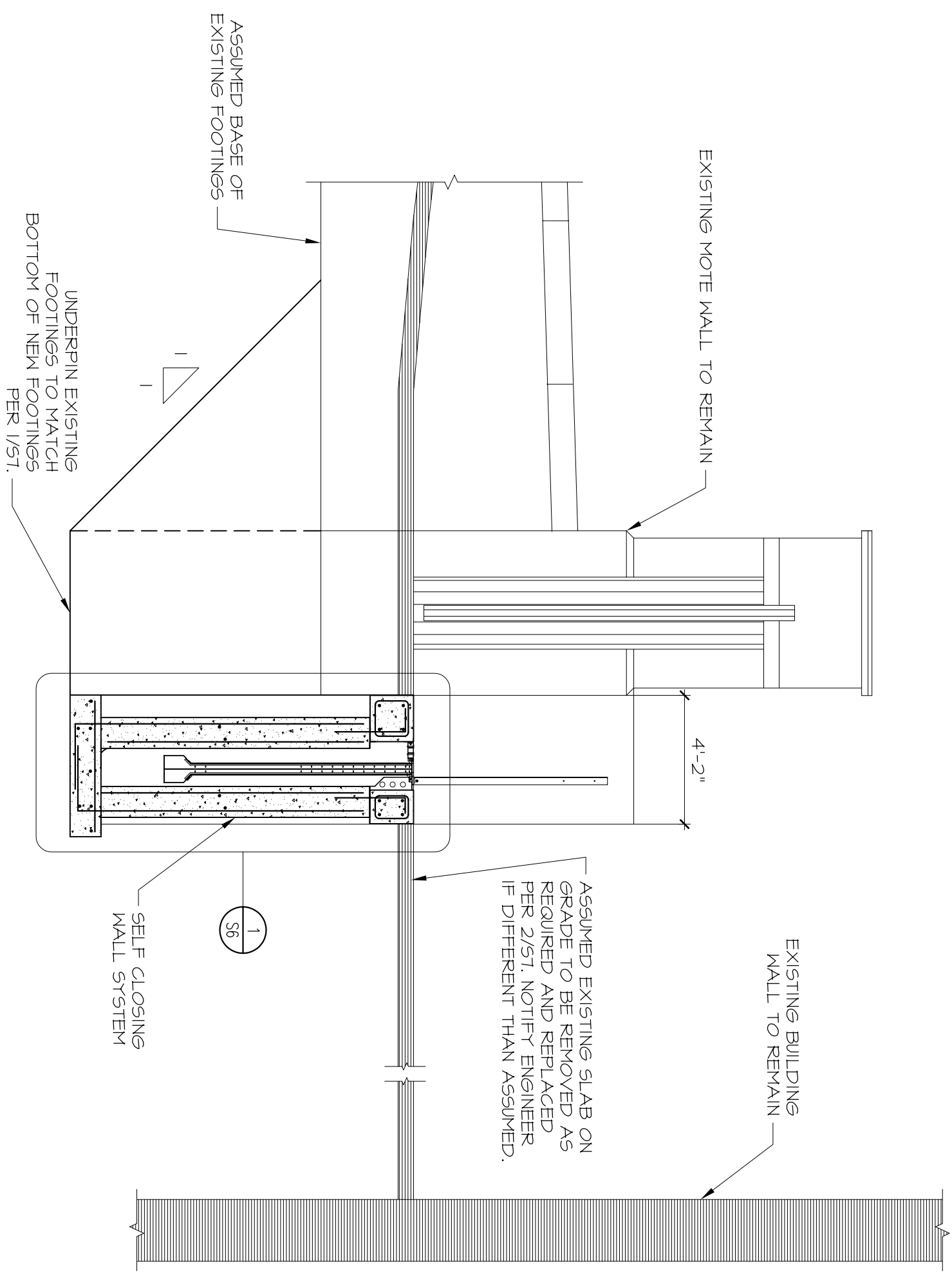
MESEN ASSOCIATES, P.C.  
 CONSULTING STRUCTURAL ENGINEERS  
 8481 BRUNSON LANE, SUITE 100, GREENBELT, VA 22182  
 PHONE: (703) 860-7744 FAX: (703) 860-7738

APPROVAL:

SIGNATURE	DATE
SIGNATURE	DATE
SIGNATURE	DATE

**S-4**

COMMISSION	04130-33
DRAWN	GTM
CHECKED BY	UAM
DATE	JULY 23, 2008
MA PROJECT #	8022



**1**  
**S4**

SECTION

1/4" = 1'-0"



NATIONAL ARCHIVES AND  
 RECORDS ADMINISTRATION

Proposed Moat Entry Flood Control Walls  
 Self-Closing Wall SCW-570 Custom

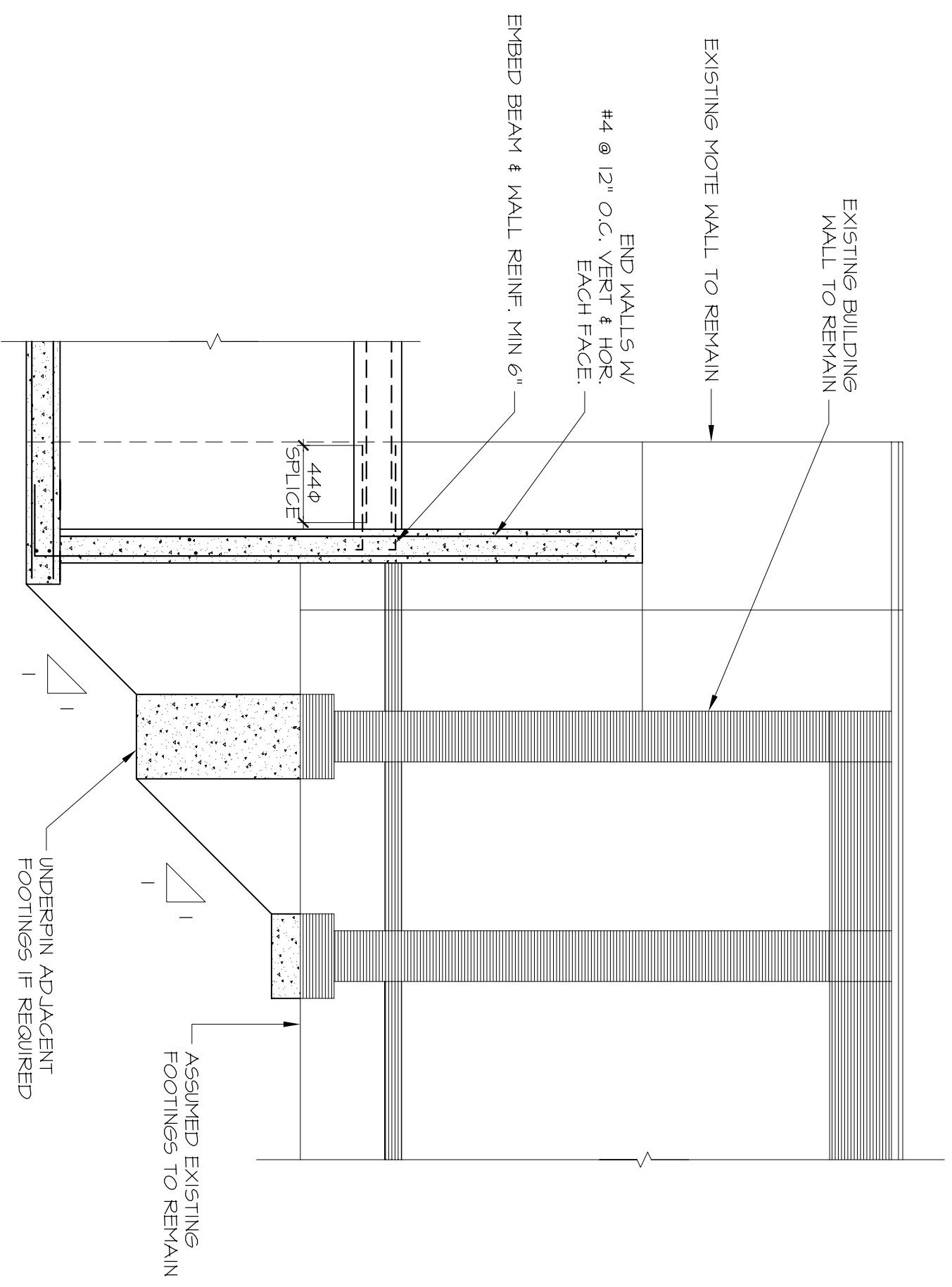
MESEN ASSOCIATES, P.C.  
 CONSULTING STRUCTURAL ENGINEERS  
 8481 BRIDGEMOOR LANE, SUITE 100  
 FARMINGTON, MA 01103  
 PHONE: (508) 867-7744 FAX: (508) 867-7238

APPROVAL:

SIGNATURE \_\_\_\_\_ DATE \_\_\_\_\_  
 SIGNATURE \_\_\_\_\_ DATE \_\_\_\_\_  
 SIGNATURE \_\_\_\_\_ DATE \_\_\_\_\_

**S-5**

COMMISSION 04130-33  
 DRAWN GTM  
 CHECKED BY UAM  
 DATE: JULY 23, 2008  
 MA PROJECT #: 8022



1  
 S5

SECTION

1/4" = 1'-0"

**NATIONAL ARCHIVES AND RECORDS ADMINISTRATION**

**Proposed Moat Entry Flood Control Walls  
 Self-Closing Wall SCW-570 Custom**

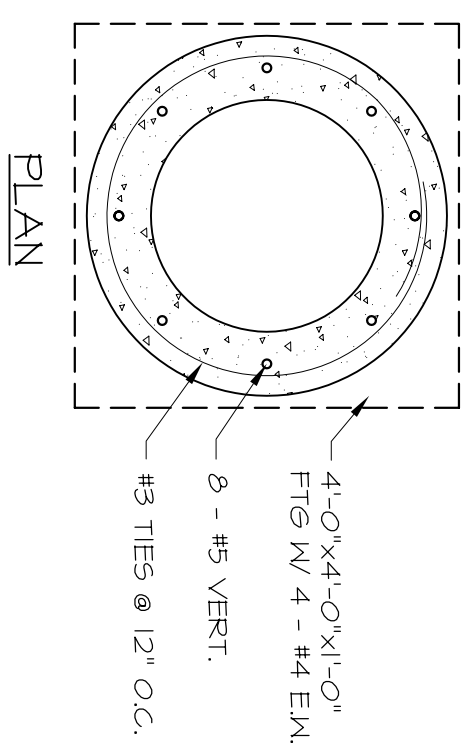
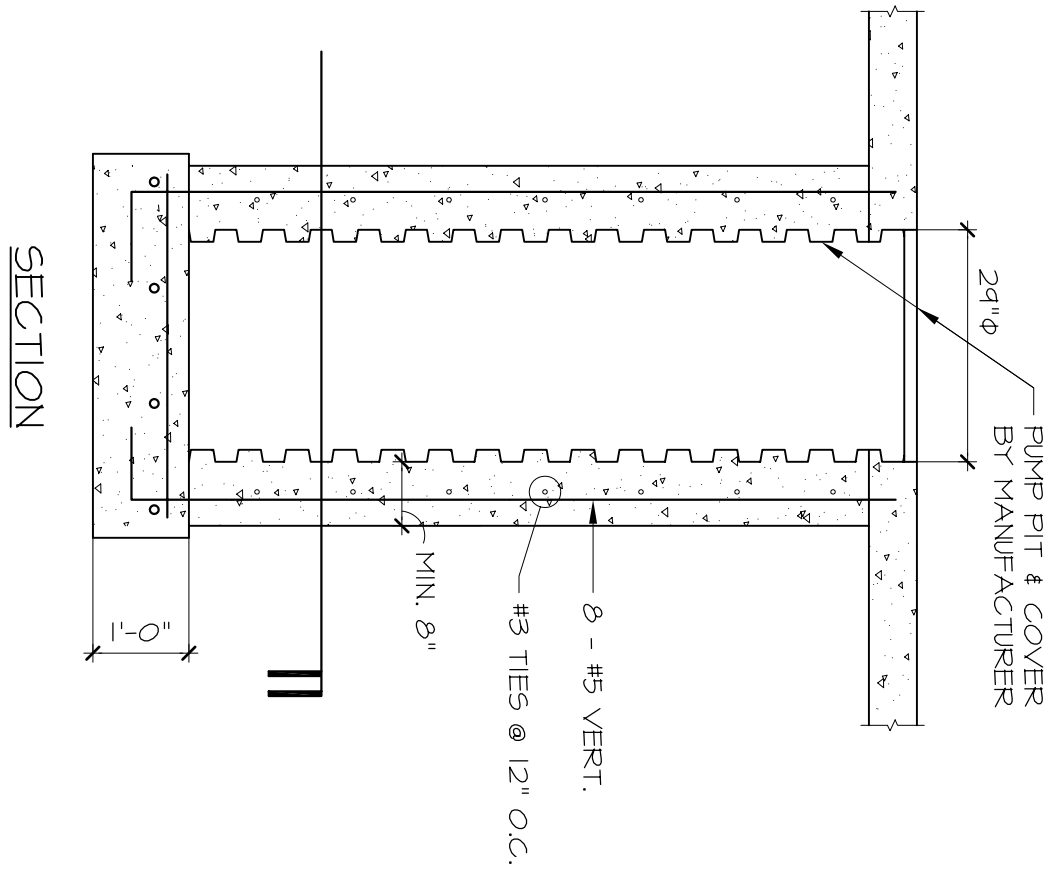
**MESSEN ASSOCIATES, P.C.**  
 CONSULTING STRUCTURAL ENGINEERS  
 8481 BRACED LANE, SUITE 100, BOSTONFIELD, VA 22012  
 PHONE: (703) 866-7744 FAX: (703) 866-7738

APPROVAL:

SIGNATURE	DATE
SIGNATURE	DATE
SIGNATURE	DATE

**S-6**

COMMISSION	04130-33
DRAWN	GTM
CHECKED BY	UAM
DATE	JULY 23, 2008
MA PROJECT #	8022

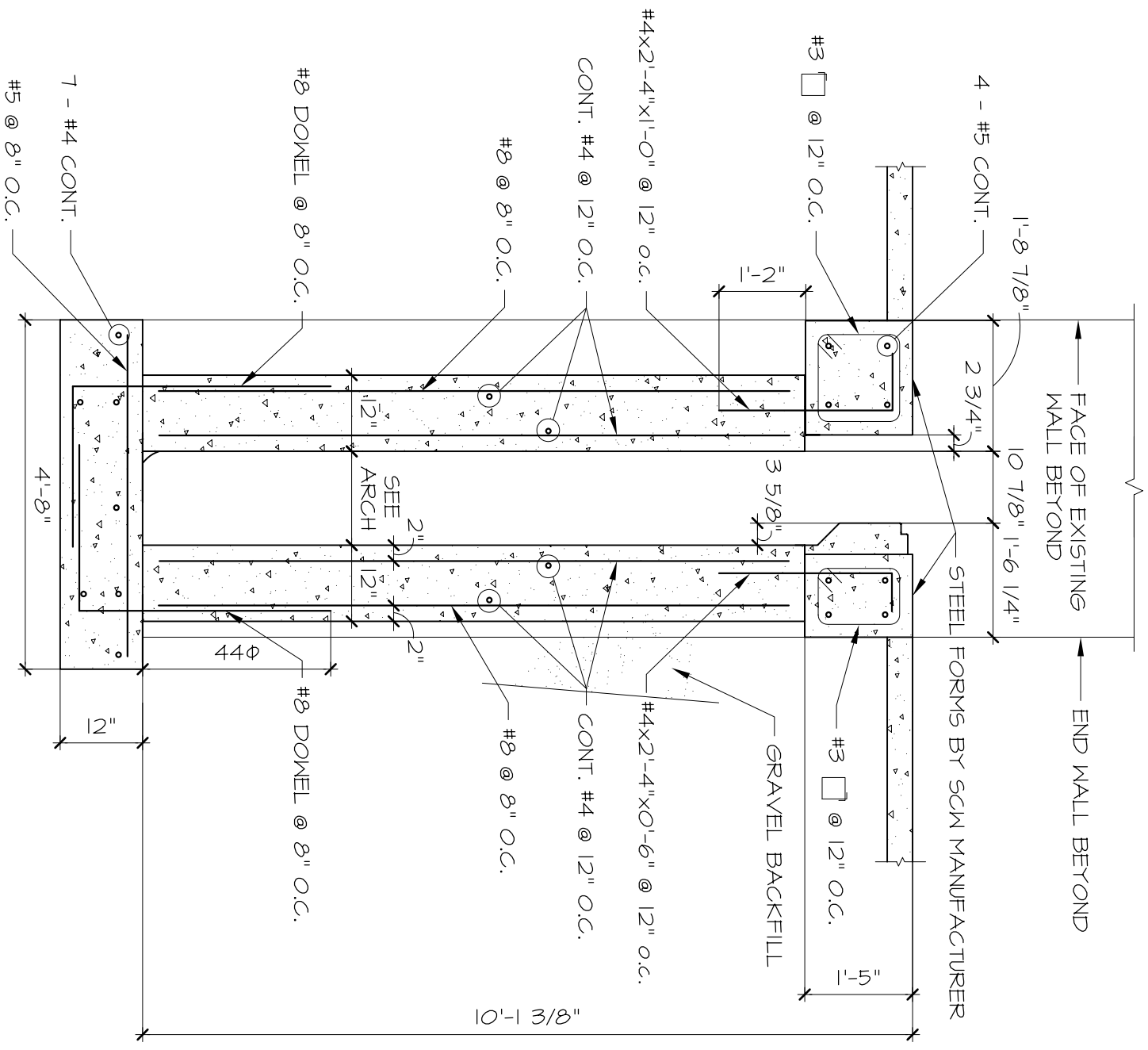


NOTE: DIMENSIONS TO BE COORDINATED W/ SCM MANUFACTURER. SEE ARCH. FOR LOCATION.

**2**  
**S6**

**PUMP PIT DETAILS**

1/2" = 1'-0"



NOTE: DIMENSIONS TO BE COORDINATED W/ SCM MANUFACTURER

**1**  
**S6**

**SECTION**

1/2" = 1'-0"

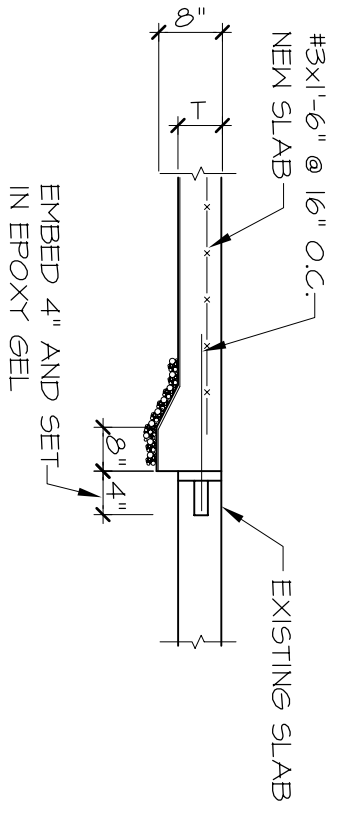
MESEN ASSOCIATES, P.C.  
 CONSULTING STRUCTURAL ENGINEERS  
 5401 BRIDGEOAK LANE, SUITE 100, BELLEVILLE, VA 22102  
 PHONE: (703) 866-7744 FAX: (703) 866-7726

APPROVAL:

SIGNATURE	DATE
_____ SIGNATURE	_____ DATE

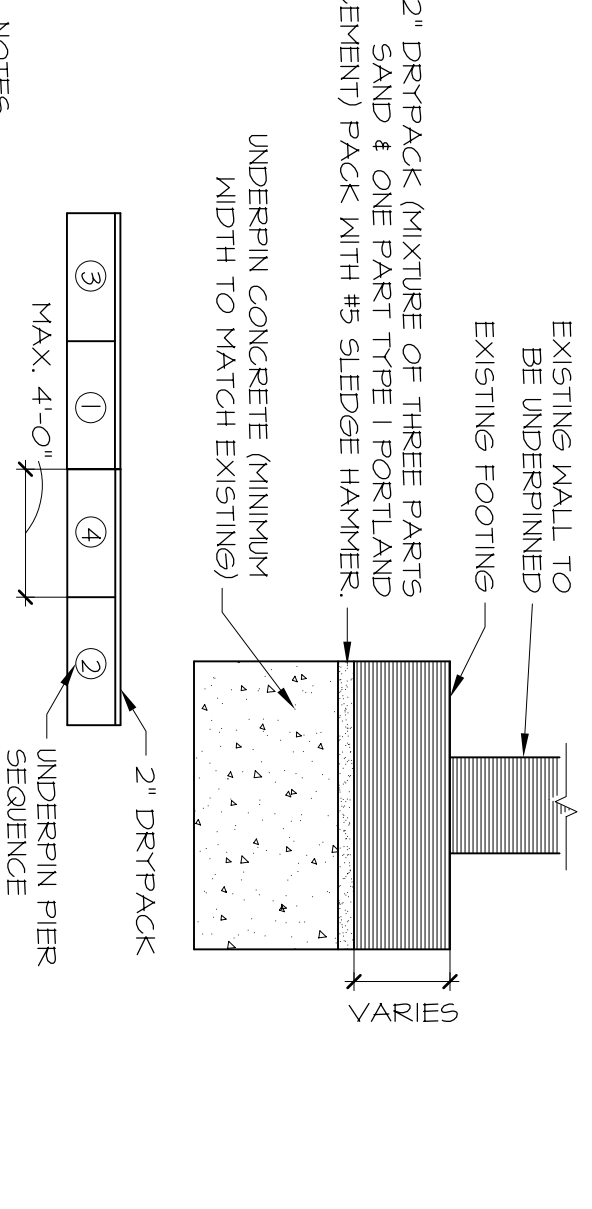
S-7

COMMISSION	04130-33
DRAWN	GTM
CHECKED BY	UAM
DATE	JULY 23, 2008
MA PROJECT #	8022



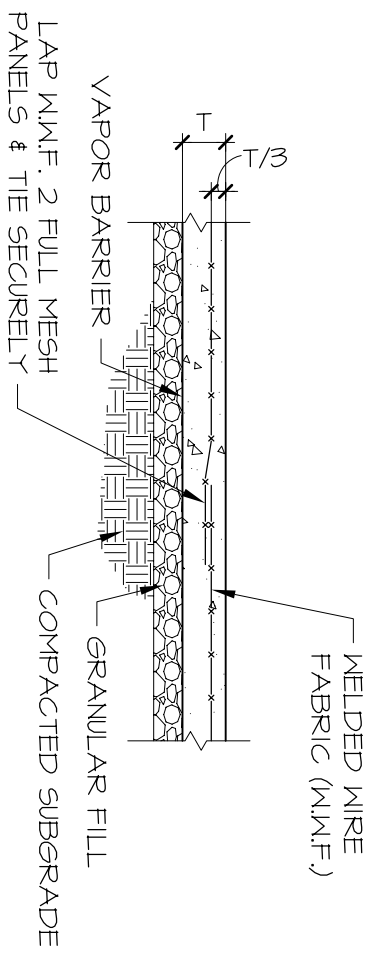
**3**  
 S7

**NEW SLABS AND FLOOR AT EXISTING CONST.  
 AT GRADE**



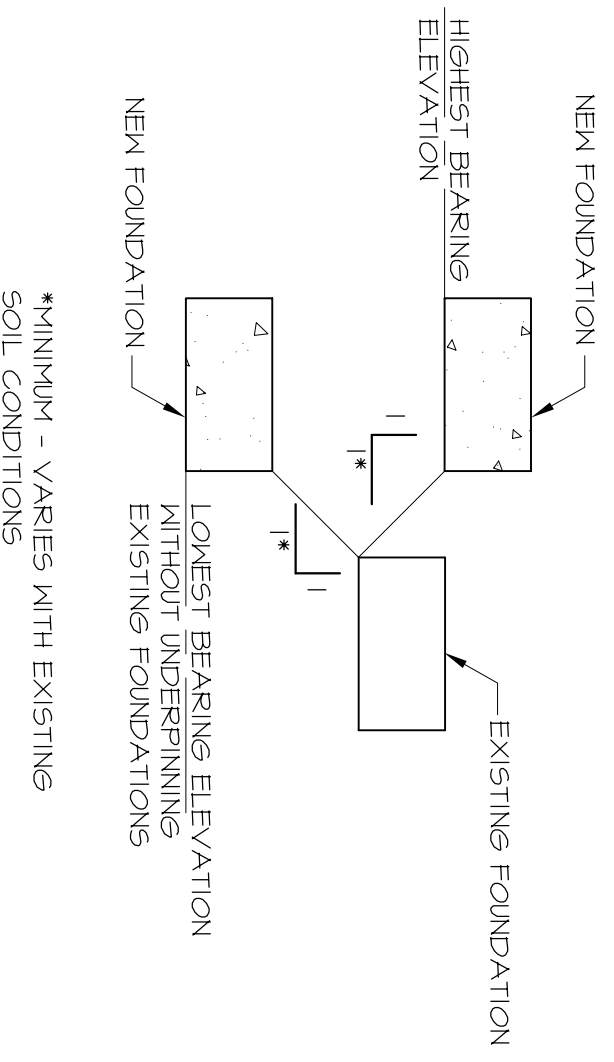
**1**  
 S7

**UNDERPINNING OF EXISTING WALL**



**2**  
 S7

**SLAB ON GRADE**



**4**  
 S7

**NEW FOUNDATIONS ADJACENT TO  
 EXISTING FOUNDATIONS**

**APPENDIX D**  
**CREDENTIALS**

# Résumé

## William Thomas

Project Scientist

**Years experience with other firms:** 3  
**Year started with PSI:** 2004

### Education

Bachelor of Science in Exercise Science and Health Promotion

### Certifications/Registrations/Technical Training

VA Licensed Lead Inspector/Risk Assessor, 2004  
DC Licensed Lead Inspector/Risk Assessor, 2004  
MD Licensed Lead Inspector/Risk Assessor, 2004  
VA Licensed Asbestos Inspector, 2004  
DC Licensed Asbestos Inspector, 2004  
MD Licensed Asbestos Inspector, 2004  
40- Hour HAZWOPER

### Affiliations/Memberships

### Professional Experience

Mr. Thomas has over 4 years experience in the field of Environmental Science. Mr. Thomas has successfully performed various environmental investigations, including asbestos surveys, lead based paint surveys, Phase I ESAs, mold/indoor air quality and HUD 4128s. He has provided technical oversight during lead based paint remediation and asbestos remediation projects. Mr. Thomas has a diverse project background, having worked on large agricultural projects, commercial and residential properties, and large industrial facilities. Mr. Thomas also has experience in the public health department field. Mr. Thomas has knowledge of Virginia and BOCA building codes and extensive experience in the public setting.

### Representative Environmental Assessment Experience

- Tribeca Surplus Property, Suitland, Maryland - Project Manager for performance of Phase I Environmental Site Assessment of property in Suitland, Maryland
- Sterling Jewelers, Annapolis, Maryland – Project Manager for performance of Phase I Environmental Site Assessment of property in Annapolis, Maryland
- 2021 L. Street, Washington, DC - Project Manager for performance of two Phase I Environmental Site Assessments of properties in Washington, DC
- Spectrum Foods, Hyattsville, Maryland – Project Manager for performance of a Phase I Environmental Site Assessment of a property in Hyattsville, Maryland.
- 5900 & 5902 Seminary Road Alexandria, Virginia – Assisted in Phase II and Phase III site assessment of a property in Alexandria, Virginia.

### Representative Asbestos and Lead Based Paint Project Experience

- CarMax #7661 Falls Church, Virginia – Project manager for asbestos containing materials (ACM) and lead based paint (LBP) surveys for an existing hotel facility in Falls Church, Virginia. Work included assisting with proposal preparation, development of a sampling plan, technical oversight of sampling activities and final report preparation.
- Former Allen Morris Plant Building 1 & 7 Lynchburg, Virginia – Project Manager for asbestos containing materials (ACM), polychlorinated biphenyl (PCB) containing items, and mercury containing items at a vacant warehoused facility. Work included proposal preparation, development of a sampling plan, technical oversight of sampling activities, final report preparation.
- Landover Mall Landover, Maryland – Project Manager for asbestos containing materials (ACM), polychlorinated biphenyl (PCB) containing items, and mercury containing items at a vacant warehoused facility. Work included proposal preparation, development of a sampling plan, technical oversight of sampling activities, final report preparation.

- Hart Senate Building Washington, DC - Project Manager for asbestos containing materials (ACM), and lead based paint (LBP) survey and construction specifications for ACM for a senate building located in Washington, DC. Work included, proposal preparation, development of a sampling plan, technical oversight of sampling activities, final report preparation and ACM specification preparation.
- Various Single Family Homes throughout Virginia, Washington, DC and Maryland – Conducted Lead Based Paint Inspections for single family homes throughout the Virginia, Washington, DC and Maryland area. Work included proposal preparation, development of testing plan and final report preparation.
- Various Lead Based Paint Inspections Following HUD Guidelines.- Conducted Lead Based Paint Inspections in Virginia, Washington, DC and Maryland on multifamily dwellings following HUD Guidelines. Work included proposal preparation, development of testing plan and final report preparation following local guidelines along with HUD guidelines. .

### **Representative Indoor Air Quality (IAQ) Project Experience**

- Marriot Suites Hotel, Rockville, Maryland – Project manager in mold/IAQ investigation, using a moisture meter, visual survey and collection of samples.
- Bealls Grant Apartments Rockville, Maryland – Assisted in mold/IAQ investigation, using a moisture meter, particulate meter and a humidity meter and assisted in the collected of samples.
-