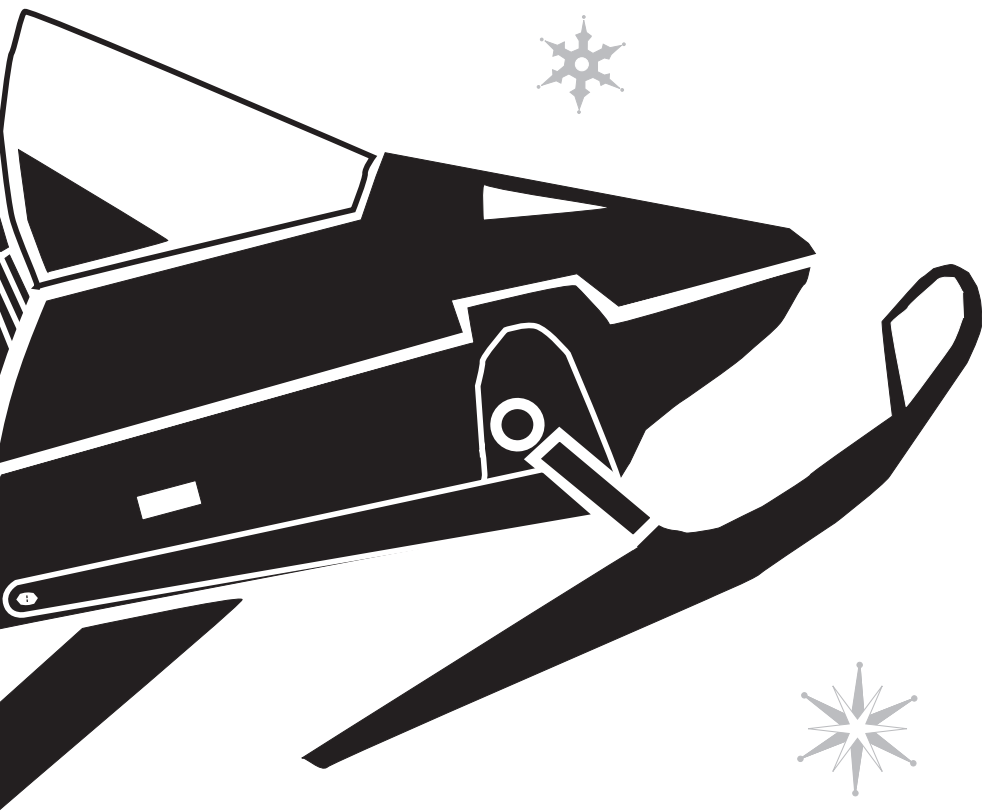


---

# Snowmobile Manual



**Motor Vehicle Commission**  
[www.nj.gov/mvc](http://www.nj.gov/mvc)



# **Snowmobile Manual**

**A supplement to the NJ Driver Manual**

**James E. McGreevey**, Governor

**Jack Lettiere**, Transportation Commissioner

**Diane Legreide**, Director, Motor Vehicle Commission

**January 2003**

**Motor Vehicle Commission**

# Contents

<b>Introduction</b> .....	1
<b>Snowmobile use</b> .....	3
Registration .....	4
Special events.....	4
Ice-covered waters.....	4
<b>Snowmobile courtesy</b> .....	5
<b>Preparing to ride</b> .....	6
Throttle .....	6
Brakes .....	6
Steering.....	6
Headlights and taillights.....	6
Ignition system.....	7
Fuel system .....	7
Maintenance.....	7
Cruising range .....	7
<b>Clothing</b> .....	9
<b>Snowmobile safety</b> .....	10
<b>Riding tips and techniques</b> .....	11
Age .....	11
Load.....	11
Loan.....	11
Leave.....	11
Clear track.....	12
Practice .....	12
Tailgate.....	12
Deep snow.....	12
Hardpack snow or ice.....	13
Hills .....	13
Railroads and roads .....	14
Stiff-hitch tow bar .....	14
<b>Know where you're going</b> .....	15
Buddy system .....	15
Icy lakes and rivers .....	15
Unfamiliar terrain .....	15
After dark .....	16
Wind chill hazards.....	16
<b>Loading and towing</b> .....	17
<b>Snowmobile code of ethics</b> .....	18
<b>Environmental responsibility</b> .....	19
<b>Preride inspection checklist</b> .....	20
<b>Survival guide</b> .....	21
<b>Signs and signals</b> .....	22



# Introduction

## Enjoy snowmobiling in New Jersey

Snowmobiling is one of the more popular winter sports in America. Because of this, there is a need for increased attention to the safe use of snowmobiles. This sport or recreational vehicle is designed to travel over ice or snow with sled type runners, skis on endless belt tread, cleats or with a combination of these. You will enjoy snowmobiling in safety.

A snowmobile is as safe as the person operating it.

The keys to its safe operation are:

- knowledge of the vehicle
- recognition and acceptance of it as a powerful machine
- respect for its capabilities and its limitations
- knowledge of varying operating conditions
- knowledge of laws governing snowmobiles
- good judgment and courtesy

This common sense handbook should be used as a supplement to the manufacturer's manual and is primarily — but not exclusively — for the persons about to experience their first ride on a snowmobile. Even seasoned snowmobile drivers may find new and important facts and hints to make this winter sport more fun for themselves, and safer for their families, passengers and the non-snowmobiling public.

Because of the very nature of the sport — the versatility of the machine, accessibility to a variety of terrain and topography and exposure to changing winter weather and conditions — snowmobiling is simple. It can be hazardous if you're the least bit reckless, inattentive or uninformed about the snowmobile under your command. The operation of a snowmobile requires the driver's attention and capabilities at all times.



# Introduction

You can plan your snowmobile outing at any snowmobile site including one of these New Jersey facilities:

- North** **High Point State Park, Sussex** (973) 875-4800
- Ringwood State Park, Ringwood** (973) 962-7031
- Stokes State Forest, Branchville** (973) 948-3820
- Upper Greenwood Lake/Waywayanda State Park** (973) 853-4462
- Worthington State Forest, Columbia** (908) 841-9575
  
- South** **Bass River State Forest, New Gretna** (609) 296-1114
- Belleplain State Forest, Woodbine** (609) 861-2404
- Lebanon State Forest, Lisbon** (609) 726-1191
- Warren Grove Recreation Area, Barnegat Township** (609) 296-1114
- Wharton State Forest, Hammonton** (609) 561-0024

To ensure conditions are ideal for snowmobiling, please call before traveling to the site of your choice. Most facilities do not require additional licensing or registration to operate a snowmobile, but they may require a permit or have certain restrictions. And, check that your required registration and insurance coverage are up-to-date.

Before you turn the ignition key for the first time, become thoroughly familiar with the manual supplied with the machine, this helpful safety handbook, and the manufacturer's advice for snowmobilers.





# Snowmobile use

The safe use and operation of snowmobiles is the responsibility of every snowmobile owner and driver. Respect and observance of New Jersey laws\* will result in safer snowmobiling.

They were enacted to protect snowmobile drivers, landowners and the general public. New Jersey laws state that it is unlawful to drive a snowmobile:

- recklessly or in a manner that causes a harsh, objectionable or unreasonable noise,
- or ride as a passenger without wearing an approved, protective helmet,
- that is not equipped with working headlights, taillights, brakes and mufflers supplied by the manufacturer for that model, without modifications,
- with the intent to harass, drive or pursue wildlife,
- from one half-hour before sunset to one half-hour after sunrise without lighted head and taillights,
- on private land, unless the landowner grants permission,
- on a railroad or the right of way of an operating railroad, except for railroad employees performing their duties,
- while under the influence of alcohol or drugs,
- under 14 years old, on public lands or waters, or across a public highway,
- on a limited access highway or its right of way,
- on the main traveled portion or the plowed snowbanks of any public street or highway or within the right of way limits, except as follows:
  1. Properly registered snowmobiles may directly cross a public highway, if that crossing can be made safely. This does not apply to limited access highways.
  2. Inaccessibility to an area adjacent to a public highway where a snowmobile will be operated allows the snowmobile driver to drive adjacent and parallel to the highway to gain access.

\* (N.J.S.A. 39:3C-1 et seq.)



# Snowmobile use

**Registration.** A snowmobile cannot be driven or permitted to be driven on or across a public highway or on public land or waters of this state unless the registration is valid. New Jersey residents who ride their snowmobiles in the state must register their vehicle locally. If you reside in New Jersey and have registered your snowmobile in another state but also want to ride in this state, you must **additionally** register your vehicle here.

For a New Jersey resident, the cost is \$5 annually; for a nonresident the cost is \$7. Proof of liability insurance for \$15,000, \$30,000 and \$5,000 is required when registering or operating a snowmobile. The registrations are valid from September 1 to September 30 of the following year.

To obtain a snowmobile registration:

- visit any local motor vehicle agency with your insurance ID and proof of ownership.
- show an invoice that has the date of purchase, make, model, year, serial number and dealer's sales tax-satisfied stamp. If purchased from an individual, a notarized statement containing the seller's and buyer's names, date of sale, make, model, year, serial number (VIN) and price is required. The seller's registration is required if it is labeled *Transferable*.
- complete a snowmobile registration application and a sales tax form.
- pay the registration fee and sales tax.

**Note:** If the vehicle was purchased from a dealer, sales tax is collected at the time of the sale. If the vehicle was purchased from an individual, the 6 percent sales tax is collected at registration.

Display the permanent registration numbers in 2 3/4" high characters on both sides of the snowmobile's engine cowling so they are visible. The originally assigned registration numbers are for the vehicle's lifetime. If asked by a police or environmental officer, you must produce the registration document.

**Special events.** Races, rallies, exhibitions of driving skill, or other organized events are prohibited unless authorized by the New Jersey State Police. An application for the special event must be filed with the State Police at least 20 days before the event.

**Ice-covered waters.** To drive a snowmobile on New Jersey's ice-covered waters, drivers and passengers must wear a Coast Guard approved Type I, II, III, or V Hybrid Personal Flotation Device (PFD). Violators of this law will be fined \$25 for a first offense, \$50 for a second offense, and \$100 for a third and/or any subsequent offense.



# Snowmobile courtesy

Even slight overconfidence in your machine handling ability can result in a serious accident.

**Driver etiquette** and snowmobile safety go hand-in-hand. With so many snowmobiles cruising the countryside, it is important that you do your part to make snowmobiling a welcome activity in rural and suburban neighborhoods.

**Basic training** is required for the safe operation of any snowmobile. Study your owner's manual. Join your local snowmobile club and learn from experts. Obtain basic instructions from your snowmobile dealer, friend or fellow club member. Enroll in a snowmobile safety training program.

**Know the laws** regarding snowmobiles. Become familiar with and respect the federal, local or state regulations governing the licensing and use of snowmobiles. Also be aware of the liability, property damage and insurance laws relating to your equipment.

**Treat your snowmobile** with respect and care due any power-driven machine. A snowmobile is not a toy. It is a finely engineered vehicle. Common sense, proper handling and regular maintenance will result in safe and enjoyable use of your machine.

**Show proper courtesy and respect** for other people, their privacy and their property. Do not trespass. Obtain the consent of property owners before snowmobiling on private lands. Check with officials before using public lands. Drive slowly in residential areas. Do not damage the landscape or existing facilities. Do not litter. Snowmobiling and liquor do not mix. Don't drink and drive.

**Know your snowmobile.** Become familiar with your machine, its capabilities and its limitations. Proper maintenance of your snowmobile is important. Have it checked by your dealer on a regular basis to assure all components are kept in good working condition. Check your machine before each ride.

Snowmobiling is a great sport. Actively work to keep it that way.



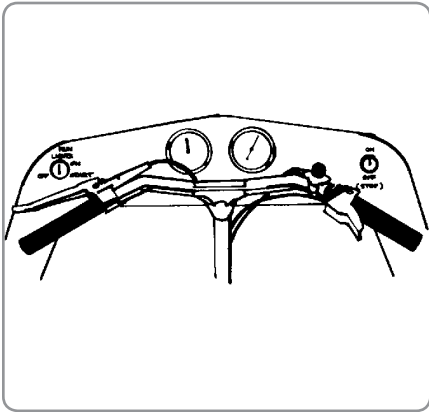


# Preparing to ride

**Throttle.** Your right hand controls the handlebar-mounted, spring-loaded throttle (so named because it is designed to automatically return to idling position when you remove your hand). **Before each and every start, check your throttle before you turn on the ignition key.** Be sure it moves freely without sticking in a partially or fully opened position, and it returns to the **closed** or idling position.

Remember, a frozen throttle makes your snowmobile as dangerous as a loaded gun. Never point your machine toward people or property when starting. Starting a machine with the throttle stuck **open** could send it hurtling out of your grasp before you could respond.

**Brakes.** Your left hand controls a braking device to slow you down rapidly and safely. But unlike a car that depends on dry pavement for traction, a snowmobile operates on surfaces of snow and ice that have a very low amount of friction. Learn braking distances at various speeds for the many snow and ice conditions that you'll encounter before you increase speed. Be sure to check the smooth and free operation of the spring-loaded cable control often.



**Steering.** Since your snowmobile is running on snow and ice and relies on friction to turn, the proper shifting of your weight and both hands on the handlebars are required to guide and turn it. Occasionally check your steering system to assure its movement is not restricted.

**Headlights and taillights.** Both are standard equipment and operate from a console switch when in the **lights** or **on** position. When snowmobiling at night, be sure lights are clear of road dirt; slush or snow, and keep a sharp eye

ahead for rough terrain, obstacles in the trail and low-hanging branches.

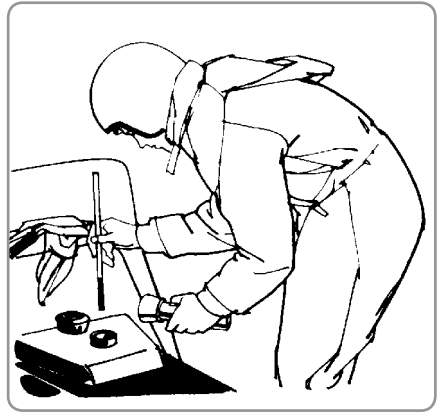
Night snowmobiling is delightful. Because there's reduced visibility, check your lights before starting. (Don't depend on that moon!) Drive slowly. Don't overdrive headlights. Avoid river and lake crossings and don't break new trails. Follow established ones to keep clear of cliffs or banks, barbed wire fences, guys (wires) and other obstacles. Carry a flashlight at night. Apply reflective material to your snowmobile and clothing.



## Preparing to ride

**Ignition system.** The ignition switch controls your engine's electrical system. Should trouble develop in your throttle control or carburetor system that prevents normal slowing down or stopping, turn your ignition key or emergency switch to the **off** position immediately and bring your machine to a safe stop. If your snowmobile is equipped with an electric start system, take special care to see that your throttle control cable operates freely and returns to its normal position before you switch on the ignition key. A frozen throttle and sudden ignition could pitch you off the machine, or send your driverless vehicle into bystanders or property.

**Fuel system.** Never check fuel level or battery with a lighted match! This is so simple a precaution that you might think it unnecessary. But on a pitch-black night a careless operator could risk severe injury for a quick look. Even a stiff breeze and an empty tank won't make this reckless practice safe. Always carry a flashlight and use a dip stick to check gasoline level. **Never light a match!** And remember, fumes from a battery are as explosive as gasoline when exposed to a flame! Develop the practice of looking for and eliminating any fuel leakage. Wipe up any spills.



**Maintenance.** Appreciate the complexity of your snowmobile. Recognize the rough exposure it receives and maintain its mechanical condition. Do not operate your machine when it is faulty or if guards or components are missing.

**Cruising Range.** Know your cruising range. Snow and terrain conditions vary daily. Never depend on a miles per gallon or hours per gallon guess when traveling cross-country into strange territory. Always carry an adequate supply of fuel. Know your own and the machine's limits, and always carry tools and equipment.

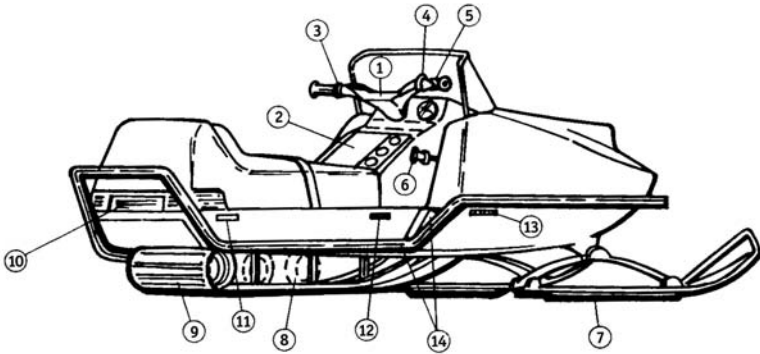
When mixing gas and oil for a 2-cycle engine, always use a separate container to assure a perfect mixture. (See the owner's manual for proportions recommended by the manufacturer for efficient engine operation and lowest emissions.) In zero-degree weather, warm oil. Always keep away from an idling machine when mixing.

**Never add fuel while your snowmobile is running.**

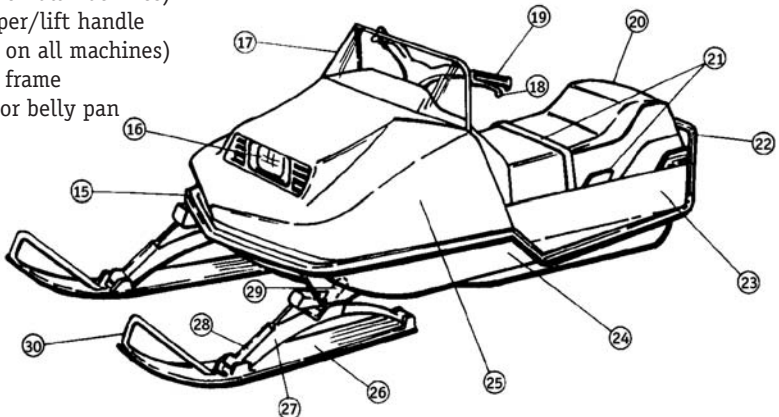


# Preparing to ride

1. Steering control (Handlebar)
2. Console
3. Headlight Hi-Lo beam switch
4. Emergency stop switch  
(Electrical cutoff for engine ignition)
5. Throttle control (Lever type)
6. Manual starter handle
7. Ski wear rod, wear bar  
(Reduces ski wear and greatly improves directional control)
8. Suspension  
(Slide and/or bogie wheel types)
9. Track  
(Cleated or moulded, propels vehicle)
10. Taillight/brake light
11. Reflectors/side marker lights
12. Vehicle Identification Number  
(Right side of vehicle)
13. Reflectors/side marker lights
14. Running board and footrest



15. Front bumper
16. Headlight or headlamp
17. Windshield
18. Brake control
19. Handlebar grip
20. Seat
21. Passenger hand grips  
(Not used on all machines)
22. Rear bumper/lift handle  
(Not used on all machines)
23. Tunnel or frame
24. Nose pan or belly pan
25. Hood, cowl or shroud
26. Ski
27. Ski suspension (Leafspring type)
28. Ski shock absorber  
(Not used on all machines)
29. Ski spindle or ski leg
30. Ski handle or tip





# Clothing

Wintertime outdoor activities such as hiking, fishing and skiing require special and adequate clothing. Snowmobiling is no exception.

The outside shell of your snowmobiling outfit should be windproof and waterproof. The amount and type of clothing to be worn underneath depends on the day. Put clothing on in comfortable layers that are not too tight. Thermal underwear next to the skin provides the important layer of dead air necessary for proper insulation. Snowmobile suits with hoods are recommended for all operators and passengers.

Your hands should be protected by a pair of snowmobile gloves that permit your thumb and fingers to operate the controls.

**Approved helmets are required at all times.** They provide warmth and protection from collisions, tree branches and falls.

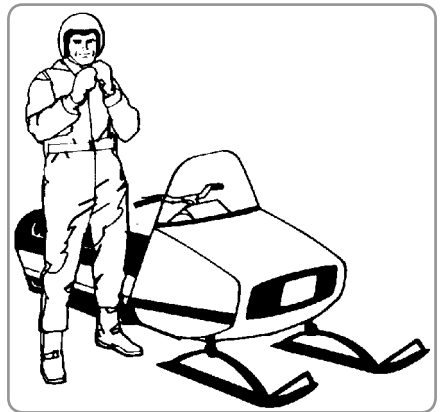
A heavy stocking or wool cap and face mask should also be carried or worn.

Goggles with colored lenses for bright days are indispensable. Amber or yellow lenses are very useful on dark days or late in the afternoon. These lenses, used in the proper light conditions, can reveal dangerous depressions in the snow. In addition, they give your eyes important protection from low tree branches. They also keep your eyes from watering when exposed to the wind and cold.

The rubber-bottom, leather-top boots or the rubber-bottom, nylon-top boots with heavy felt liners are best for snowmobiling. They provide good foot traction and the necessary warmth. Adding wool socks gives your feet additional protection as the temperature goes down.

**Do not wear long scarves or loose clothing.** They could be caught in the moving parts of the machine.

Dressing properly for snowmobiling can be the key to enjoying the sport.





# Snowmobile safety

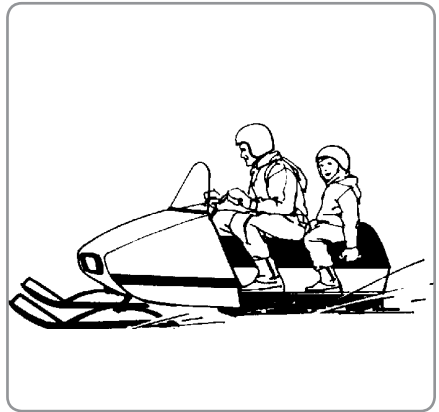
A snowmobile is only as safe as the driver. The key to safe operation is knowing the machine, good judgment and courtesy. Your snowmobile's safety features should be kept in good working order. Do not modify your machine. Make sure that the throttle, brake, steering and light systems all function properly. Never operate your machine unless the hood and the guards are in place and firmly attached. If your machine is equipped with an emergency switch, check its operation.

Always carry the minimum safety equipment: a tool kit, a knife, spark plugs, drive belt, first aid kit, rope, waterproof matches, a flashlight and an extra ignition key. Add more items to this list for long or night snowmobile trips.

Always play safe with children aboard. Go slowly with young passengers. Exert extra care. Avoid sidehills and broken terrain. See that the child firmly grips the handles and protectively sits with both feet on the running boards.

Check frequently to make sure the child is riding correctly. Always position small children so they can be watched.

When carrying tots or any other passengers, smooth starts and stops are required. A fast start could result in a whiplash injury to the passenger seated behind you or in the tow sled. You have the benefit of knowing about the start and also the additional support of your grip on the handle bars. Your passenger can only rely on your careful and safe machine operation. Use moderate speeds. Too much speed over a bump could result in a serious back injury to a passenger. Warn your passenger of dangerous branches or low hanging limbs that must be avoided. Be certain passengers are warmly dressed.





# Riding tips and techniques

Do not drive your snowmobile at excessive speeds or fast acceleration rates. Consider the environmental surroundings and weather conditions, your abilities and limitations, and the capabilities of your machine.

A snowmobile driver should know the machine's handling and performance, as models may differ.

**Age.** Parents must decide driving age. Learning to drive a snowmobile properly is not as simple as it may appear. Remember, **you must be 14 years or older to operate a snowmobile on public lands or waters or across a public highway.** The parent must be able to judge his child's ability to understand and control a gas or electric powered machine. Children can start the thrilling sport of snowmobiling at almost any age if they understand their parents will be the judge and jury on responsibility!

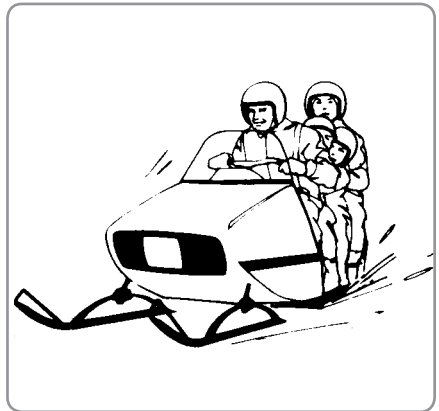


Like their parents, children love snowmobiling. Warn them against excessive speed, overconfidence and carelessness. **Never let children snowmobile alone.**

**Load.** Don't overload your machine. Most snowmobiles are engineered and designed to carry one driver and one passenger; others are designed for one person only. Overcrowding can cause safety hazards because of dangling arms and legs.

**Loan.** Never loan your machine to a stranger for a quick spin or to inexperienced drivers. You could be responsible for his inexperience or recklessness!

**Leave.** Never leave an unattended or idling machine. An idling machine is a temptation to a thief or a passing child.





## Riding tips and techniques

Before you leave your snowmobile, always turn it off and take the ignition key with you.

**Clear track.** Never lift the machine's tail to clear track. This practice is dangerous for any machine, as over-revving may cause mechanical failure of the engine or drive components. Rocks, ice chunks or other items may be hurled out the rear of the machine at very high velocities.

**Practice.** Practice turning radius, effect of speed, riding position and balance. Always operate your snowmobile with caution. Due to varying driving conditions of terrain, ice or snow, there is no fixed formula for turning, stopping or starting distances. Practice drive under all conditions. Approach turns slowly and avoid possible collisions with stumps, trees and stationary obstacles by allowing a wide skid margin.

The new driver should practice on a level field to master the three basic riding positions and techniques: sitting, kneeling and standing; turns; and weight shifting. Lean in the direction of the turn. Never extend your arms or legs out from your snowmobile while driving, turning or stopping.

**Tailgate.** Don't tailgate other machines. Traveling closely to the rear of another machine may seem like great sport—but if your buddy suddenly slows down or hits a bump or obstacle, you could ram or drive over the other machine. Always maintain a safe interval and allow ample stopping distance if you must track another machine's trail. Watch the machine ahead.

**Deep snow.** Your snowmobile was designed to travel across snow under a





## Riding tips and techniques

great variety of conditions, but it does have limitations. If you are traveling in deep snow or going uphill you may find yourself stuck. When this happens, turn the engine off; free the skis by pulling them out and downhill; place the rear



uphill or on undisturbed snow and ease it out with slow, even throttle pressure, or free the skis by pulling them up and ahead. Stand upright on the running board with your weight on the back of the machine and rock it slowly to pack the snow and give maximum track contact and traction. Accelerate with a slow, even throttle pressure. In most cases this will put you back in operation. If it doesn't, be patient. Deep snow can be hand-scooped out until you are back on the trail. Do not overexert yourself.

**Hardpack snow or ice.** On hardpack snow or ice, be even more careful. It is very difficult to make a turn and you will need considerably more room to make a stop. Reduced speed is essential to safe operation under these conditions. Take extreme care turning or using your brake, as both of these executed improperly could result in dangerously spinning out of control.

**Hills.** For uphill driving, accelerate before you start the climb. Reduce the throttle pressure as necessary to prevent track slippage.

Downhill driving requires full control of your machine. Maintain slight throttle pressure and allow the machine to run down on the engine compression. If you go too fast, use the brake to slow down, but use a light touch. Never jam it and lock the track.

When crossing a sidehill, certain safety procedures must be followed. Riders should maintain a position that will keep their weight against the hill at







# Riding tips and techniques



all times. Lean toward the slope as much as required for stability.

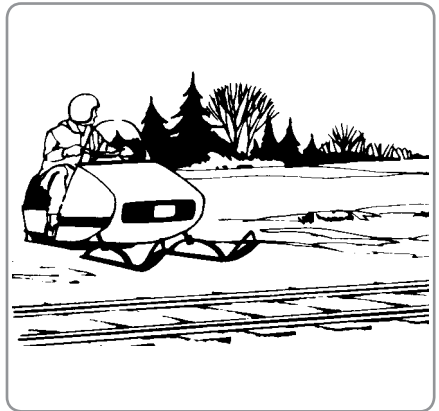
**Railroads and roads.** Railroad tracks and railroad rights of way are private property. Snowmobilers using railroad property are trespassers and may be arrested. A snowmobile is no match for a train. Never ride on railroad property. When crossing a railroad track, stop — look — and listen. Remember, the sound of your snowmobile engine may drown out the sound of an approaching train.

for off-road travel. However, there will be occasions when it will be necessary to travel along a road right of way or to cross a road.

Never cross any road without first looking in both directions. You may not hear approaching traffic, and steep embankments may hide your view. Stop — look — listen — look again, if the road is clear of vehicles, then cross.

Learn and follow your local or state laws for the operation of snowmobiles on roads and rights of way. Observe all traffic rules and ride in safety.

**Stiff-hitch tow bar.** Use only a stiff-hitch tow bar. Tow ropes for pulling skiers, toboggans or sleds are not recommended for safe snowmobile operation. Tangled slack ropes in the track or drive mechanism, inexperience in proper tow technique, and variable snow or ice conditions make rope towing more hazardous than fun. Your snowmobile is like a horse. It can pull a heavier load of supplies or passengers than it can carry, but always use a rigid-mount or stiff-hitch sled.

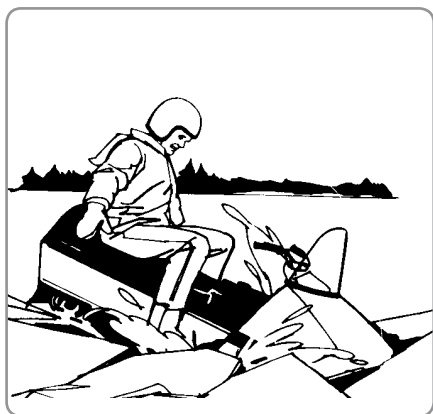




# Know where you're going

Snowmobile safety depends on your common sense, the weather and terrain conditions, your machine's condition and your preparation for emergencies.

**Buddy system.** Always use the buddy system on any trip. Even at a cruising speed of 30 mph for 30 minutes, you'll travel many miles from your starting point! If you're alone, you could find yourself out of walking distance when trouble develops. Be sure your machine is in good repair. Carry an adequate fuel supply, an extra drive-belt, spark plugs, a can of deicer, a first aid kit, and an adequate supply of hand tools — a knife, axe, waterproof matches, flashlight, rope, extra clothing, flares, compass, maps, snowshoes and an emergency kit: food, protection devices and fire-making equipment. Dress for the occasion. Never travel with just one machine into unfamiliar territory, and always let someone know where you're going and when you plan to return.



**Icy lakes and rivers.** Never test icy lakes and rivers with your snowmobile. The weight distribution of a 400 lb. machine plus a driver weighing another 200 lbs. could make you a statistic. No one has ever guaranteed that ice of any thickness will support a snowmobile. Refer to page 4 for the laws about driving on New Jersey's ice-covered waters.

**Unfamiliar terrain.** Always inspect unfamiliar terrain before proceeding. Choose well designed, signed and maintained trails and riding areas if possible. Inadequate riding and trail facilities that may have cable wires, fences, barbed wire, unsafe ice and ice ridges, hidden rocks, tree stumps and low hanging branches increase the risk of snowmobile incidents. Unless you are on a marked trail or familiar ground, be very cautious even when following existing tracks. Travel so you see what is around the next bend or over the top of the hill. Never



# Know where you're going

drive your snowmobile over a cliff or bank. Learn to recognize all snowmobile trail signs and markers. See the back page of this manual for examples.

**After dark.** Reduced visibility at night makes it imperative that you use head and taillights. Never ride alone at night. Find a friend with a machine who has a reputation as a safe, sensible driver. Before you start your ride, be sure that your lights are clean and operational. (See page 6.) Drive at speeds that will allow you to stop if a dangerous object appears. Low objects can be especially dangerous at night.

**Wind chill hazards.** Watch the weather and learn wind chill hazards. Your snowmobile is designed to travel under adverse weather conditions. But common sense dictates that you check advance weather predictions carefully before you make an extended trip. The new wind chill index, compiled by the U.S. Air Force Weather Agency in Winter 2001 and effective Winter 2002, indicates the wind chill temperatures you can expect to encounter while driving at the speeds shown. The new index establishes more accurate temperatures under which a person can safely stay outdoors. The U.S. National Weather Service, the U.S. Department of Defense and the Meteorological Service of Canada have adopted it.



**Example:** If the temperature is 10 degrees above zero, and you are traveling at a speed of 30 mph, the wind chill temperature is 12 degrees below zero. The longer you are exposed to wind chill conditions, the more likely you will experience frostbite, which occurs within 15 minutes or less at wind chill values of -18 or lower.

		Wind chill index												
		Temp (°F)												
		Calm	40	35	30	25	20	15	10	5	0	-5	-10	-15
Wind (mph)	5	36	31	25	19	13	7	1	-5	-11	-16	-22	-28	
	10	34	27	21	15	9	3	-4	-10	-16	-22	-28	-35	
	15	32	25	19	13	6	0	-7	-13	-19	-26	-32	-39	
	20	30	24	17	11	4	-2	-9	-15	-22	-29	-35	-42	
	25	29	23	16	9	3	-4	-11	-17	-24	-31	-37	-44	
	30	28	22	15	8	1	-5	-12	-19	-26	-33	-39	-46	
	35	28	21	14	7	0	-7	-14	-21	-27	-34	-41	-48	
	40	27	20	13	6	-1	-8	-15	-22	-29	-36	-43	-50	
		Frostbite times								30 minutes		10 minutes		

**Be sure to dress warmly — cover all exposed skin areas to avoid serious frostbite or permanent damage. Check frequently for frostbite.**



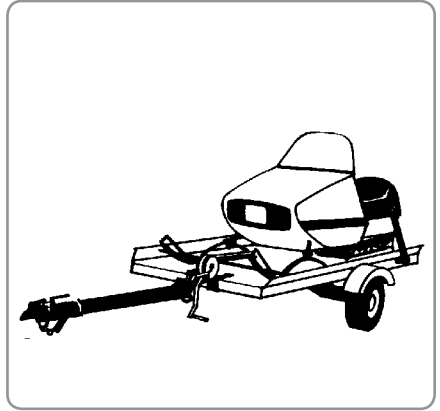
# Loading and towing

Load with a winch. Tilt-bed trailers can be easily equipped with an inexpensive winch mechanism to allow maximum safety in loading. Simple as it may seem, never drive your snowmobile onto a tilt-bed trailer! Many serious accidents have resulted from driving up and over a trailer and into the back of a car.

Tie it down! Snowmobiles were designed to slip and slide over ice and snow. Your trailer-bed is no exception! For maximum safety, always securely anchor your snowmobile in front and rear. Be certain all equipment is securely fastened.

Cover your snowmobile when trailering.

Be certain that your trailer meets the area's legal safety requirements; that the hitch and safety chains are secure; and that the brake, turn indicator and clearance lights all work.





# Snowmobile code of ethics

This code was developed by a committee of representatives from the U.S. Forest Service, Bureau of Outdoor Recreation; Michigan Department of Natural Resources; Minnesota Department of Natural Resources; Department of Lands and Forests, Ontario, Canada; U.S. National Park Service; and snowmobile manufacturers.

1. I will be a good sport. I recognize that people judge all snowmobile owners by my actions. I will use my influence with other snowmobile owners to promote proper sports conduct.
2. I will not litter any trails. I will not pollute streams or lakes.
3. I will not damage living trees, shrubs, or other natural features.
4. I will respect other people's property and rights.
5. I will lend a helping hand when I see someone in distress.
6. I will make myself and my vehicle available to assist search and rescue parties.
7. I will not interfere with or harass hikers, skiers, snowshoed hikers or other winter sports enthusiasts. I will respect their rights to enjoy our recreation facilities.
8. I will learn and obey all federal, state and local rules regulating the operation of snowmobiles in areas where I use my vehicle. I will inform public officials, as required, when using public lands.
9. I will not harass wildlife. I will avoid areas posted for the protection or feeding of wildlife.
10. I will only use marked trails, areas or roads open to snowmobiles. I will not travel cross-country when prohibited.



# Environmental responsibility

Environmental responsibility, driver etiquette and safety go hand in hand. With many snowmobiles cruising the countryside, it is vitally important that each snowmobile owner do his part to make snowmobiling a welcome activity in rural and suburban neighborhoods. You can help by being aware of your environmental responsibility. Observe all snowmobile safety and etiquette rules — and all regulations in your community. Snowmobiling is a great sport. Actively work to keep it that way. Drive your machine courteously and safely.

As visitors to an area, **snowmobilers have the environmental responsibility of seeing and enjoying, not destroying the area.**

Only drive a snowmobile when there is a snow depth adequate to prevent the track from digging into the ground cover.

Do not ride over small trees or bushes.

When you encounter animals, stop and allow them to leisurely move off the trail. Do not chase. The increased body stresses required to survive in winter's cold and snow makes unnecessary efforts potentially harmful to wildlife.

Travel only in areas open to snowmobiling and on designated trails. Look for trail signs that will keep you safe on interesting trails. See the back page of this manual for examples.

Stay away from roads, railroad rights of way and ice.

Watch out for fences and cliffs. For other people's privacy, drive slowly in residential areas.

Do not litter; respect and enjoy the environment.



# Preride inspection checklist

Keep this checklist with you when you ride.

## **Before you start your machine, check the following:**

- throttle (it should freely return to the idle or closed position)
- snowmobile (it should be positioned in a clear space free of people or objects)
- fuel and battery
- ski assemblies and rods
- variable speed drive belt
- general mechanical conditions
- handlebars (they should turn both ways)
- weather forecast, your clothes and the wind chill factor (to ensure you'll be warm enough)
- emergency supplies, including:
  - spare spark plugs
  - spare drive belt
  - spare fuel
  - emergency rations
  - first aid kit
  - flares
  - knife/small ax
  - waterproof matches
  - spare clothing
  - flashlight
  - tool kit
  - extra ignition key

## **Before you start to drive, check the following:**

- brakes (they should operate freely and smoothly)
- head and taillights
- emergency switch
- idle (slowly run your machine for 30 seconds)



# Survival guide

Before you leave on a snowmobile trip, inform friends and/or local police of your travel plans and time of return. If an emergency situation occurs while on your trip, follow these steps:

## **Stay calm.**

Think and decide on a plan of action. Stay together. Conserve your energy and warmth.

## **Check food.**

Use your emergency rations.

## **Melt clean snow.**

Quench your thirst. You can survive several days on water alone.

## **Make shelter.**

Use your snowmobile, snow, evergreen boughs or birch bark, which are waterproof.

## **Build a fire.**

Use ice to reflect the sun's rays. Use engine fuel and spark, flashlight batteries and steel wool. Keep fire from wind; reflect it into the shelter.

## **Signal.**

Use fire, smoke, whistle, flares, snowmobile and parts, or signs in the snow. Using the signals below, tramp them 100 ft long into the snow, and cast shadows with evergreen boughs. The signal will be visible from a plane.

### **National distress signals**

**I**     **Require doctor-serious injury**

**II**    **Require medical supplies**

**X**     **Unable to proceed**

**O**     **Need map and compass**

**F**     **Need food and water**

**V**     **Need direction to proceed**

**LL**   **All well**

These are basic survival techniques. You may wish to research specific cold weather survival methods.





# Signs and signals

Some examples of signs/signals that you may find on the snowmobile trails are:

## Regulatory

### Snowmobiles permitted

**Purpose:** To indicate snowmobile trails and use areas.

**Background color:** Brown with white border.

**Legend:** White



### No snowmobiling

**Purpose:** To indicate areas where snowmobiling is not permitted.

**Background color:** Brown with white border.

**Legend:** White with red slash.



## General warning

### Danger

**Purpose:** To indicate hazards in areas of snowmobile use.

**Background color:** Yellow with black border.

**Note:** Diamond shape, yellow color with black legend. Optional signs of this generic family include: Steep hill; Snowmobile crossing; Two-way traffic; Narrow bridge; Railroad crossing; and Ice. Some examples are:



### Steep hill

**Purpose:** To warn of steep hill on the trail ahead.

**Background color:** Yellow with black border.

**Legend:** Black.



### Snowmobile crossing

**Purpose:** To warn of a road and a snowmobile trail crossing.

**Background color:** Yellow with black border.

**Legend:** Black.



### Two-way traffic

**Purpose:** To warn of oncoming traffic.

**Background color:** Yellow with black border.

**Legend:** Black arrows.



### Tourist information

**Purpose:** To advise of available services and facilities helpful to tourists.

**Background color:** Blue with white border.

**Legend:** White retroreflective symbol.



# 24-Hour Telephone Information and Assistance

For General Customer Information

**(888) 486-3339**

toll free in New Jersey

**(609) 292-6500**

out of state

For License Suspensions and Restorations

**(609) 292-7500**

Customer service representatives are available from  
8:30 a.m. to 4:30 p.m. Monday through Friday.

Detailed recorded information is available after those hours,  
seven days a week, including holidays.

For information on the TDD communication system,  
look in the blue pages of your telephone directory under  
Motor Vehicle Services.

