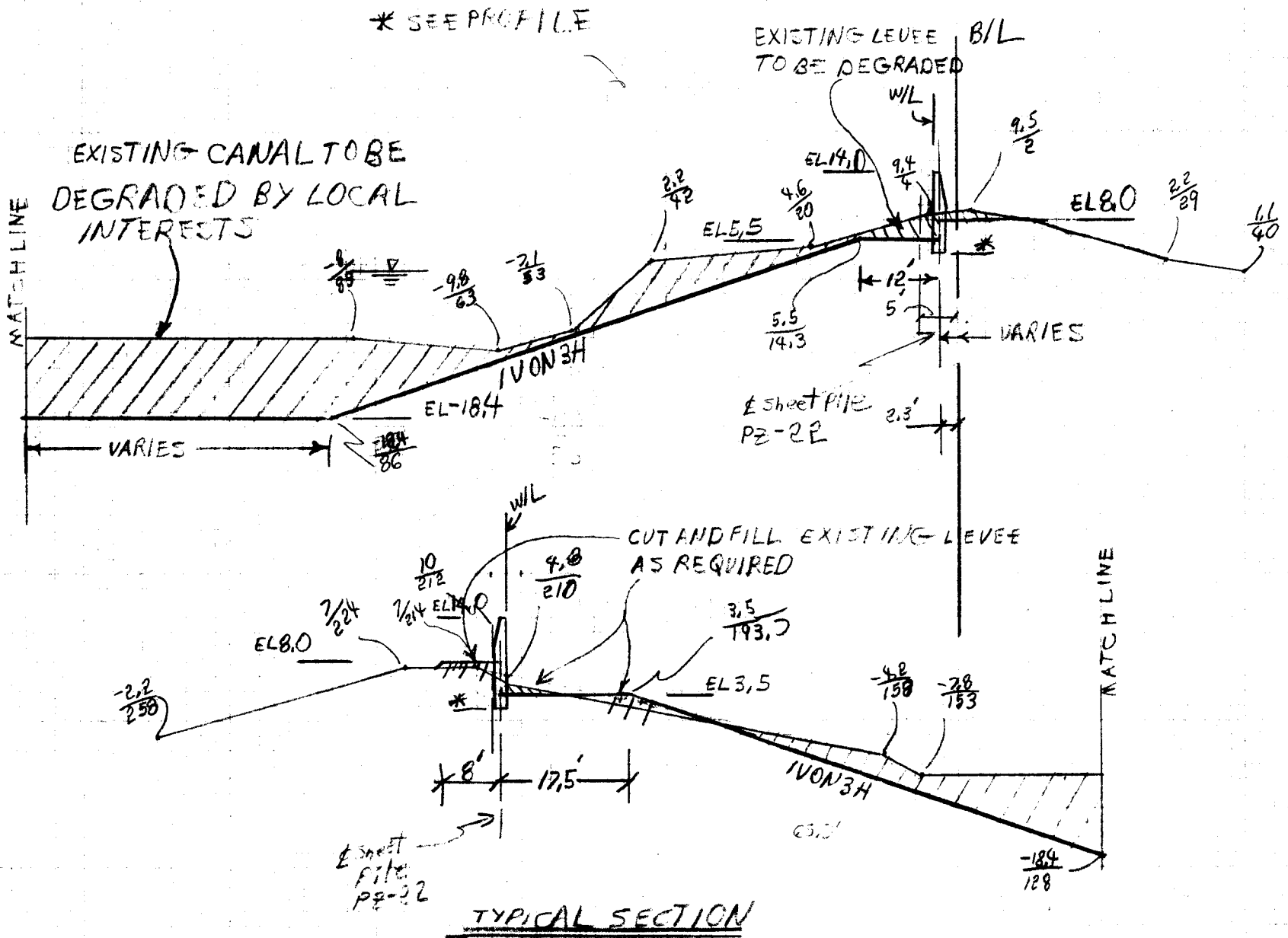


PROJECT	DATE	COMPUTED BY	DATE
SUBJECT	DATE	CHECKED BY	
STA 630+00			
128' 86'			
PAGE	OF		

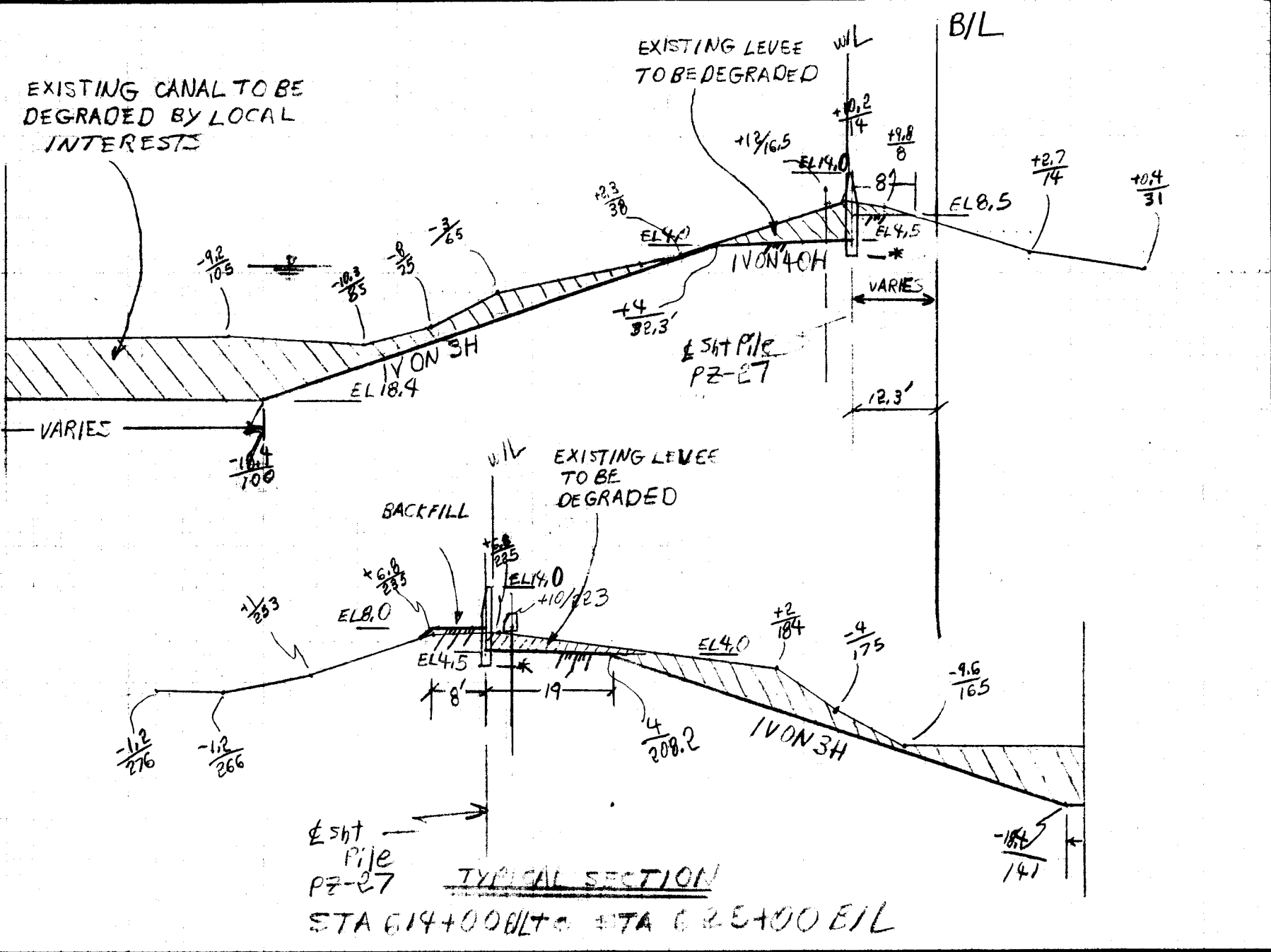


STA 625+00 TO STA 635+00 B/L

SCALE: 1" = 10'

PROJECT	DATE	COMPUTED BY	DATE
	SUBJECT	CHECKED BY	
	PAGE	OF	

STA 618+00 B/L



SH PILE PZ-27
TYPICAL SECTION
 STA 614+00 B/L to STA 625+00 E/L

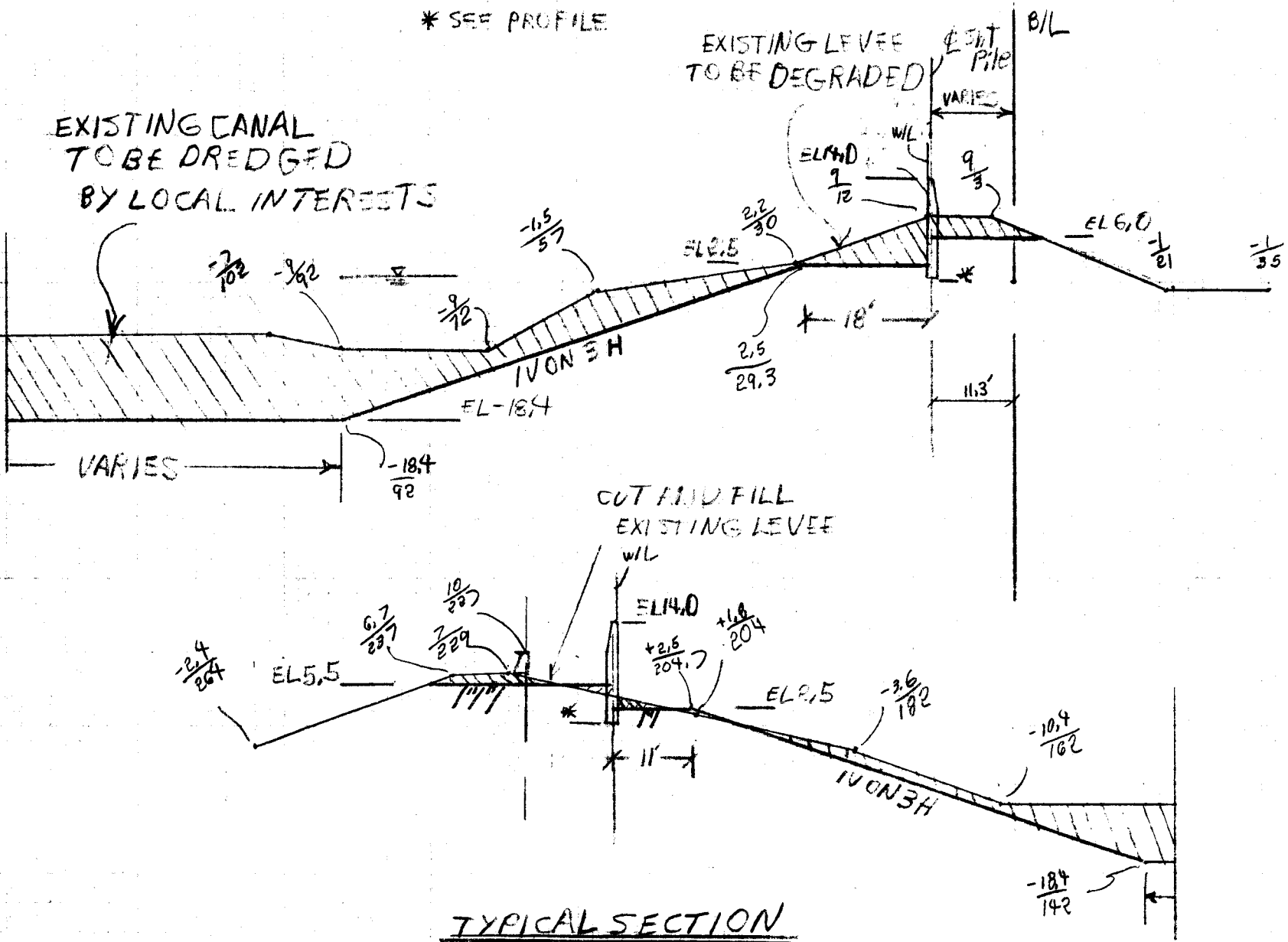
Drawn by SCALE 1" = 10'

PROJECT	SUBJECT	PAGE	OF	COMPUTED BY	DATE
				CHECKED BY	DATE

* SEE PROFILE

EXISTING CANAL
TO BE DREDGED
BY LOCAL INTERESTS

EXISTING LEVEL
TO BE DEGRADED



TYPICAL SECTION

STA 568+00 B/L TO STA 589+00 B/L

DRAW TO → SCALE: 1" = 10'

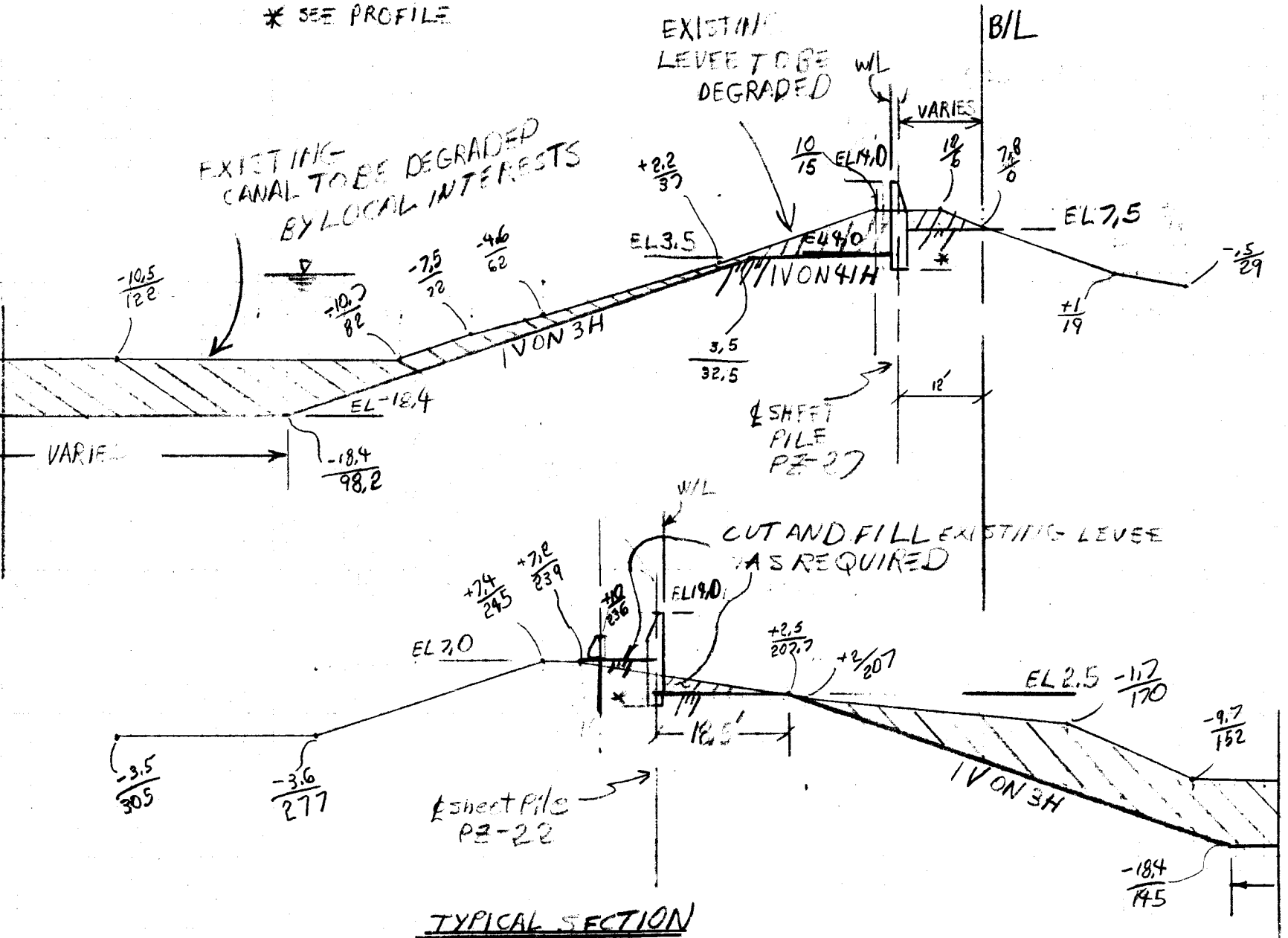
PROJECT	PAGE	COMPUTED BY	DATE
SUBJECT	OF	CHECKED BY	DATE

* SEE PROFILE

EXISTING CANAL TO BE DEGRADED BY LOCAL INTERESTS

EXISTING LEVEL TO BE DEGRADED

B/L



TYPICAL SECTION

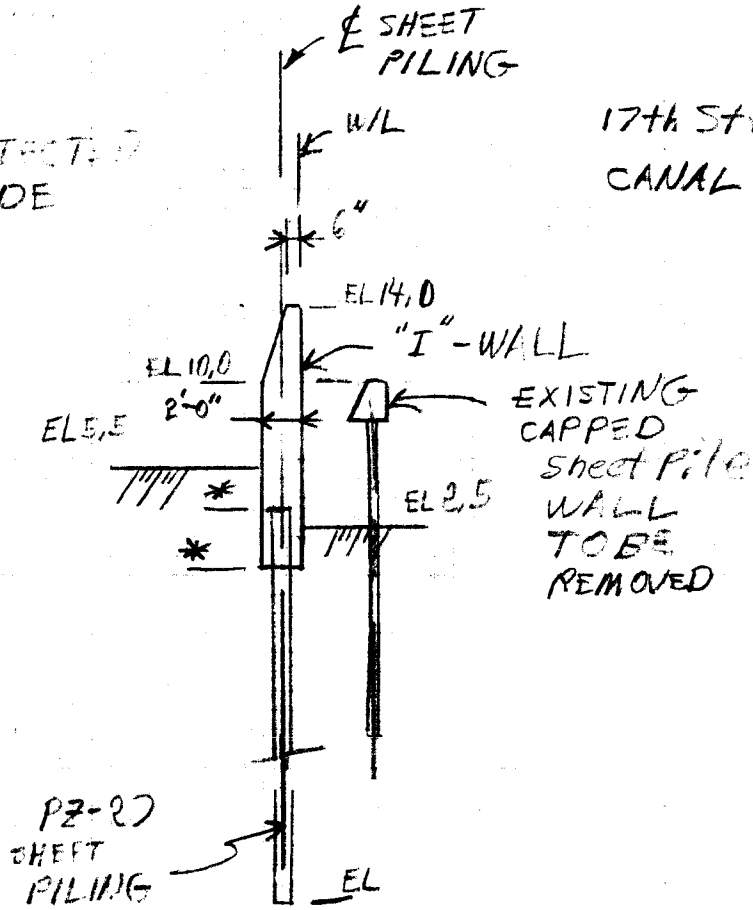
STA 589+00 B/L to STA 614+00 B/L

SCALE: 1" = 10'

PROJECT	PAGE OF	COMPUTED BY	DATE
SUBJECT		CHECKED BY	

* sec Profile

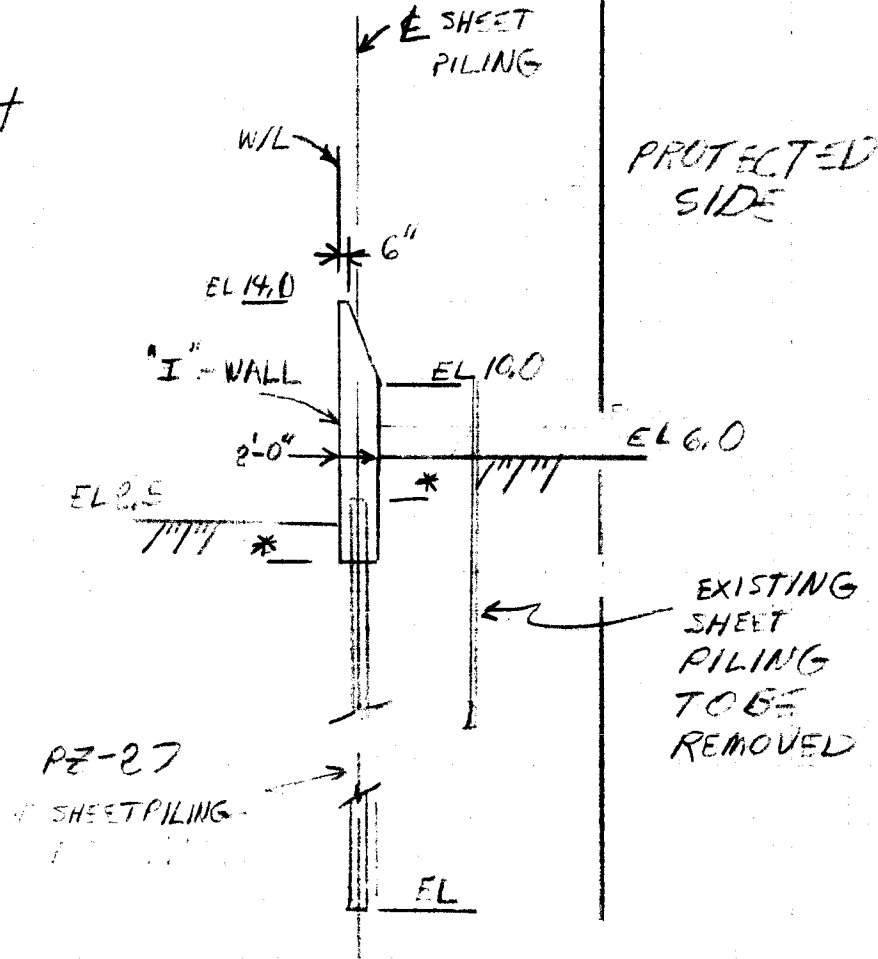
PROTECTED SIDE



17th Street CANAL

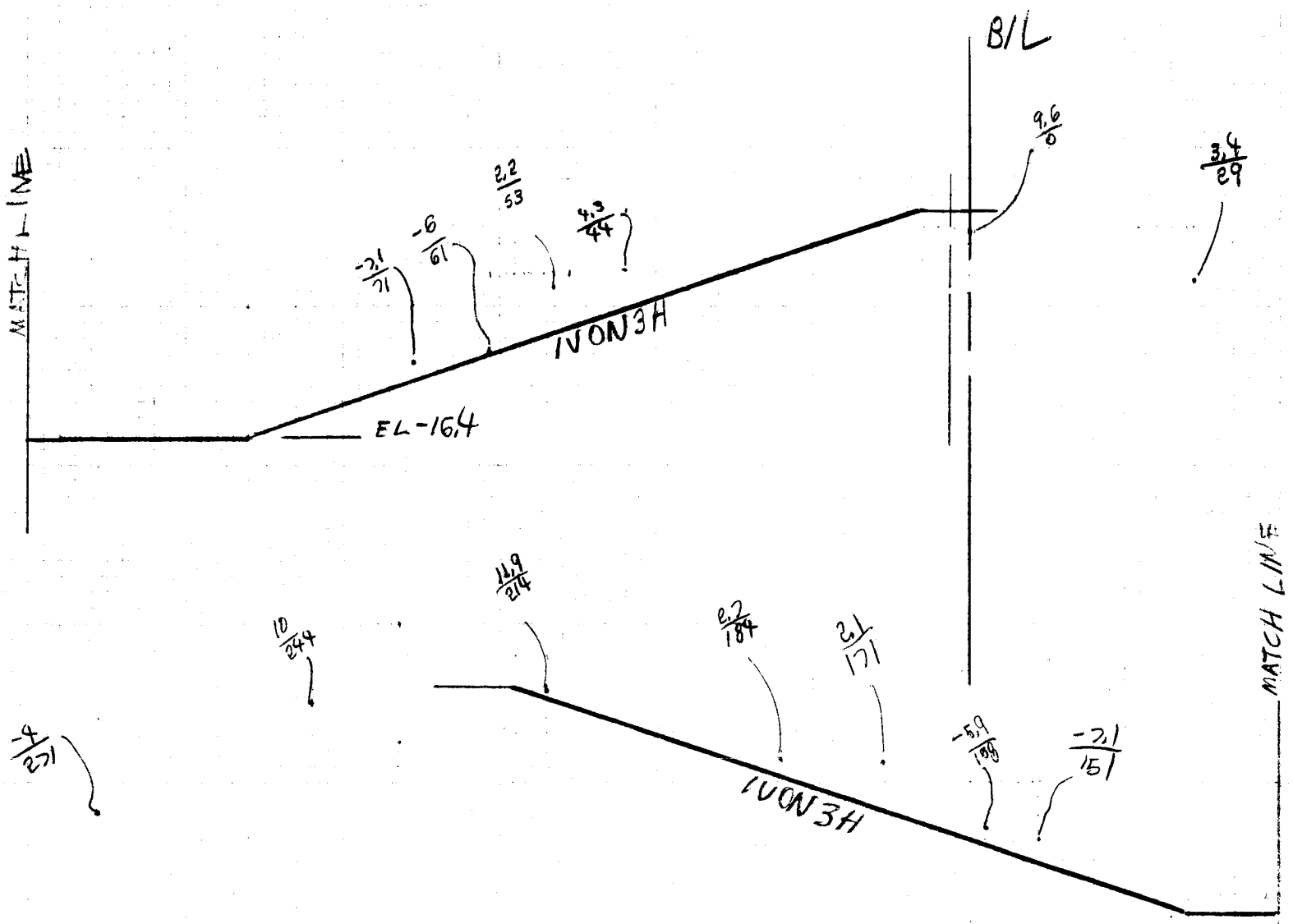
B/L

PROTECTED SIDE



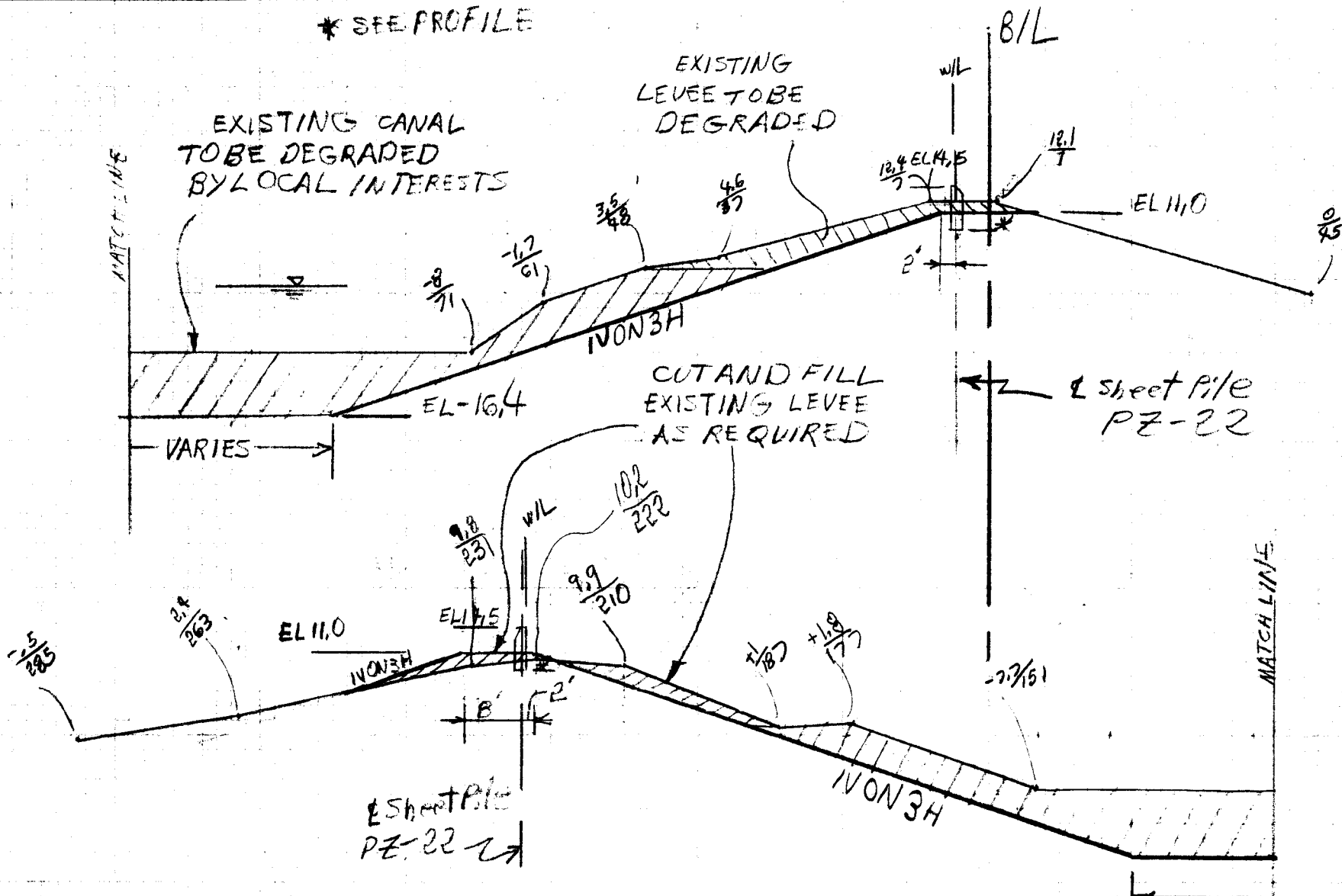
COMPUTATION SHEET

PROJECT	PAGE	OF	COMPUTED BY	DATE
SUBJECT	132.0	92.0	CHECKED BY	DATE
	STA 660+00			



TYPICAL SECTION
 STA 647+00 B/L TO STA 663+00 B/L
 SCALE: 1" = 10'

PROJECT	DATE	COMPUTED BY	DATE
SUBJECT	DATE	CHECKED BY	
STA 644+00 B/L E-638 W-40		PAGE	OF



* SEE PROFILE

EXISTING CANAL
TO BE DEGRADED
BY LOCAL INTERESTS

EXISTING
LEVEE TO BE
DEGRADED

CUT AND FILL
EXISTING LEVEE
AS REQUIRED

Sheet Pile
PZ-22

Sheet Pile
PZ-22

TYPICAL SECTION

STA 635+00 B/L TO STA 647+00

SCALE 1/4" = 10'