



**US Army Corps
of Engineers**®
New England District

696 Virginia Road
Concord, MA 01742-2751

PUBLIC NOTICE

Date: March 6, 2007

Comment Period Ends: April 5, 2007

File Number: NAE-2006-4028

In Reply Refer To: Stephen D. DiLorenzo

The District Engineer has received a permit application from the applicant below to conduct work in waters of the United States as described below. The Corps is soliciting comments on both the project itself and the range of issues to be addressed in the environmental documentation.

APPLICANT

Rick Torres/305 Knowlton Street, LLC
105 Midland Street
Bridgeport, Connecticut 06605

ACTIVITY

The applicant is proposing a new recreational public and collegiate rowing facility in the Pequonnock River, Bridgeport, Connecticut. To accomplish this the applicant proposes to install three - 12" wide by 36' long aluminium ramps connecting the uplands to a 16' wide by 120' long timber floating dock, 12' wide by 200' long dock, eleven timber anchor pilings, install 4,200 square feet of filter fabric and 58 - 1' by 12' gabion mattresses with 155 cubic yards of 4"-6" diameter surge stone, remove 155 cubic yards of existing fill, remove deteriorated timber pilings and plant saltmarsh vegetation. The facility will extend approximately 40' seaward of the mean high water line.

The work is described on the enclosed plans entitled "PROPOSED ALUMINUM RAMPS, PILE-ANCHORED TIMBER FLOATING DOCKS, GABION MATTRESSES, WETLAND PLANTINGS, AND REMOVAL OF HISTORICAL FILL IN: PEQUONNOCK RIVER OFF BRIDGEPORT HARBOR AT: 305 KNOWLTON STREET, BRIDGEPORT, FAIRFIELD COUNTY, CONNECTICUT APPLICATION BY: MR. RICK TORRES/305 KNOWLTON STREET, LLC", on two sheets, and dated "1/03/07".

WATERWAY AND LOCATION OF THE PROPOSED WORK

This work is proposed in Pequonnock River at 305 Knowlton Street, Bridgeport, Connecticut. The proposed location on the USGS BRIDGEPORT quadrangle sheet is at latitude 41-11'27" North and 73-11'-20" West.

AUTHORITY

Permits are required pursuant to:

Section 10 of the Rivers and Harbors Act of 1899

Section 404 of the Clean Water Act

Section 103 of the Marine Protection, Research and Sanctuaries Act).

The decision whether to issue a permit will be based on an evaluation of the probable impact of the proposed activity on the public interest. That decision will reflect the national concern for both protection and utilization

of important resources. The benefit which may reasonably accrue from the proposal must be balanced against its reasonably foreseeable detriments. All factors which may be relevant to the proposal will be considered, including the cumulative effects thereof; among those are: conservation, economics, aesthetics, general environmental concerns, wetlands, cultural value, fish and wildlife values, flood hazards, flood plain value, land use, navigation, shoreline erosion and accretion, recreation, water supply and conservation, water quality, energy needs, safety, food production and, in general, the needs and welfare of the people.

The Corps of Engineers is soliciting comments from the public; Federal, state, and local agencies and officials; Indian Tribes; and other interested parties in order to consider and evaluate the impacts of this proposed activity. Any comments received will be considered by the Corps of Engineers to determine whether to issue, modify, condition or deny a permit for this proposal. To make this decision, comments are used to assess impacts on endangered species, historic properties, water quality, general environmental effects, and the other public interest factors listed above. Comments are used in the preparation of an Environmental Assessment and/or an Environmental Impact Statement pursuant to the National Environmental Policy Act. Comments are also used to determine the need for a public hearing and to determine the overall public interest of the proposed activity.

Where the activity involves the discharge of dredged or fill material into waters of the United States or the transportation of dredged material for the purpose of disposing it in ocean waters, the evaluation of the impact of the activity in the public interest will also include application of the guidelines promulgated by the Administrator, U.S Environmental Protection Agency, under authority of Section 404(b) of the Clean Water Act, and/or Section 103 of the Marine Protection Research and Sanctuaries Act of 1972 as amended.

ESSENTIAL FISH HABITAT

The Magnuson-Stevens Fishery Conservation and Management Act, as amended by the Sustainable Fisheries Act of 1996 (Public Law 104-267), requires all federal agencies to consult with the National Marine Fisheries Service on all actions, or proposed actions, permitted, funded, or undertaken by the agency, that may adversely affect Essential Fish Habitat (EFH).

This project will impact approximately 10,000 square feet acres of Essential Fish Habitat (EFH) for those species and life stages shown on pages 5 & 6. This habitat consists of rubble, sand and gravel. Loss of this habitat may adversely affect the species shown on the attached pages 5 & 6. However, the District Engineer has made a preliminary determination that the site-specific adverse effect will not be substantial. Further consultation with the National Marine Fisheries Service regarding EFH conservation recommendations is being conducted and will be concluded prior to the final decision.

SECTION 106 COORDINATION

Based on his initial review, the District Engineer has determined that the proposed work may impact properties listed in, or eligible for listing in, the National Register of Historic Places. Additional review and consultation to fulfil requirements under Section 106 of the National Historic Preservation Act of 1966, as amended, will be ongoing as part of the permit review process.

ENDANGERED SPECIES CONSULTATION

The New England District, Army Corps of Engineers has reviewed the list of species protected under the Endangered Species Act of 1973, as amended, which might occur at the proposed project site during the construction and subsequent operation/use period sought by the applicant. We have undertaken a Biological Assessment (BA) of the potential for interactions and adverse impacts to those listed species. It is our determination that the proposed activity for which authorization is being sought is designed, situated or will be operated/used in such a manner that it is not likely to adversely affect any Federally listed endangered or threatened species or their designated critical habitat. By this Public Notice, we are requesting that the appropriate Federal Agency concur with our BA determination.

The States of Connecticut, Maine, Massachusetts, New Hampshire and Rhode Island have approved **Coastal Zone Management Programs**. Where applicable the applicant states that any proposed activity will comply with and will be conducted in a manner that is consistent with the approved Coastal Zone Management Program. By this Public Notice, we are requesting the State concurrence or objection to the applicant's consistency statement.

The following authorizations have been applied for, or have been, or will be obtained:

- (x) Permit, License or Assent from State.
- () Permit from Local Wetland Agency or Conservation Commission.
- (x) Water Quality Certification in accordance with Section 401 of the Clean Water Act.

In order to properly evaluate the proposal, we are seeking public comment. Anyone wishing to comment is encouraged to do so. **Comments should be submitted in writing by the above date.** If you have any questions, please contact Stephen D. DiLorenzo at (978) 318-8335, (800) 343-4789 or (800) 362-4367, if calling from within Massachusetts.

Any person may request, in writing, within the comment period specified in this notice, that a public hearing be held to consider the application. Requests for a public hearing shall specifically state the reasons for holding a public hearing. The Corps holds public hearings for the purpose of obtaining public comments when that is the best means for understanding a wide variety of concerns from a diverse segment of the public.

The initial determinations made herein will be reviewed in light of facts submitted in response to this notice. All comments will be considered a matter of public record. Copies of letters of objection will be forwarded to the applicant who will normally be requested to contact objectors directly in an effort to reach an understanding.

For more information on the New England District Corps of Engineers programs, visit our website at <http://www.nae.usace.army.mil>.

THIS NOTICE IS NOT AN AUTHORIZATION TO DO ANY WORK.

CENAE-R
FILE NO. NAE-2006-4028



Robert J. DeSista
Chief, Permits and Enforcement Branch
Regulatory Division

If you would prefer not to continue receiving Public Notices, please contact Ms. Tina Chaisson at (978) 318-8058 or e-mail her at bettina.m.chaisson@usace.army.mil. You may also check here () and return this portion of the Public Notice to: Bettina Chaisson, Regulatory Division, U.S. Army Corps of Engineers, 696 Virginia Road, Concord, MA 01742-2751.

NAME: _____

ADDRESS: _____

Summary of Essential Fish Habitat (EFH) Designation

10' x 10' Square Coordinates:

Boundary	North	East	South	West
Coordinate	41° 10.0' N	73° 10.0' W	41° 00.0' N	73° 20.0' W

Square Description (i.e. habitat, landmarks, coastline markers): Atlantic Ocean waters within Long Island Sound within the square affecting south of the following: Bridgeport, CT., Fairfield, CT., Blackrock, CT., Southport, CT., Green Farms, CT., and Greenfield, CT., along with Black Rock Harbor from the entrance to the Pequonack River west to Sherwood Pt. (just east of Sherwood Mill Pond) within Long Island Sound. Also affected are: Pennfield Reef, The Little Cows, Georges Rock, and Fayeweather I.

Species	Eggs	Larvae	Juveniles	Adults
Atlantic salmon (<i>Salmo salar</i>)			X	X
Atlantic cod (<i>Gadus morhua</i>)				
haddock (<i>Melanogrammus aeglefinus</i>)				
pollock (<i>Pollachius virens</i>)			X	X
whiting (<i>Merluccius bilinearis</i>)				X
offshore hake (<i>Merluccius albidus</i>)				
red hake (<i>Urophycis chuss</i>)	X	X	X	X
white hake (<i>Urophycis tenuis</i>)				
redfish (<i>Sebastes fasciatus</i>)	n/a			
witch flounder (<i>Glyptocephalus cynoglossus</i>)				
winter flounder (<i>Pleuronectes americanus</i>)	X	X	X	X
yellowtail flounder (<i>Pleuronectes ferruginea</i>)				

CENAE-R
FILE NO. NAE-2006-4028

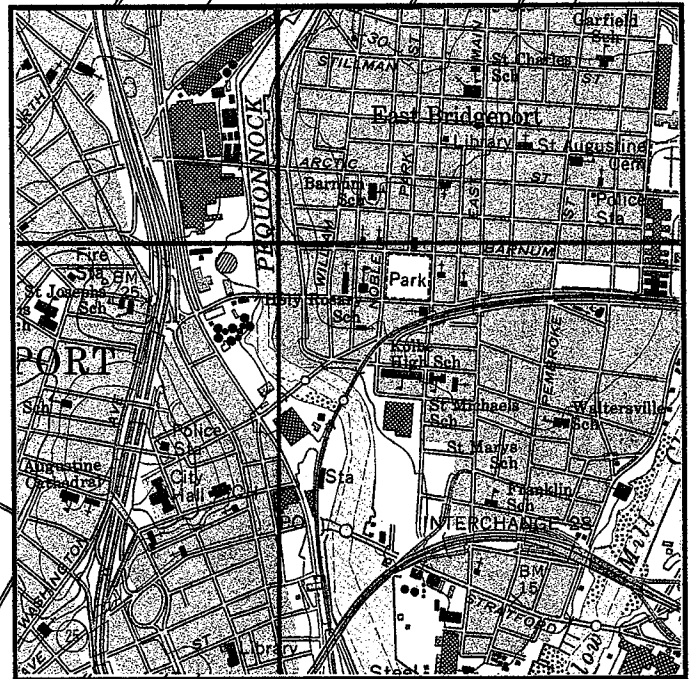
windowpane flounder (<i>Scophthalmus aquosus</i>)	X	X	X	X
American plaice (<i>Hippoglossoides platessoides</i>)			X	X
ocean pout (<i>Macrozoarces americanus</i>)	X	X	X	X
Atlantic halibut (<i>Hippoglossus hippoglossus</i>)				
Atlantic sea scallop (<i>Placopecten magellanicus</i>)				
Atlantic sea herring (<i>Clupea harengus</i>)			X	X
monkfish (<i>Lophius americanus</i>)				
bluefish (<i>Pomatomus saltatrix</i>)			X	X
long finned squid (<i>Loligo pealei</i>)	n/a	n/a		
short finned squid (<i>Illex illecebrosus</i>)	n/a	n/a		
Atlantic butterfish (<i>Peprilus triacanthus</i>)				
Atlantic mackerel (<i>Scomber scombrus</i>)	X	X	X	X
summer flounder (<i>Paralichthys dentatus</i>)			X	
scup (<i>Stenotomus chrysops</i>)	X	X	X	X
black sea bass (<i>Centropristus striata</i>)	n/a		X	
surf clam (<i>Spisula solidissima</i>)	n/a	n/a		
ocean quahog (<i>Artica islandica</i>)	n/a	n/a		
spiny dogfish (<i>Squalus acanthias</i>)	n/a	n/a		
tilefish (<i>Lopholatilus chamaeleonticeps</i>)				
king mackerel (<i>Scomberomorus cavalla</i>)	X	X	X	X
Spanish mackerel (<i>Scomberomorus maculatus</i>)	X	X	X	X
cobia (<i>Rachycentron canadum</i>)	X	X	X	X
sand tiger shark (<i>Odontaspis taurus</i>)		X		

EXISTING PLAN VIEW

SCALE: 1" = 60'

60' 0' 60'

NOTE: PREPARED FROM A SURVEY BY HAMMONS LLC LAND SURVEYORS AND A SITE INSPECTION ON OCTOBER 5, 2006.



VICINITY MAP

FROM U.S.G.S BRIDGEPORT QUADRANGLE MAP - SCALE: 1:24000

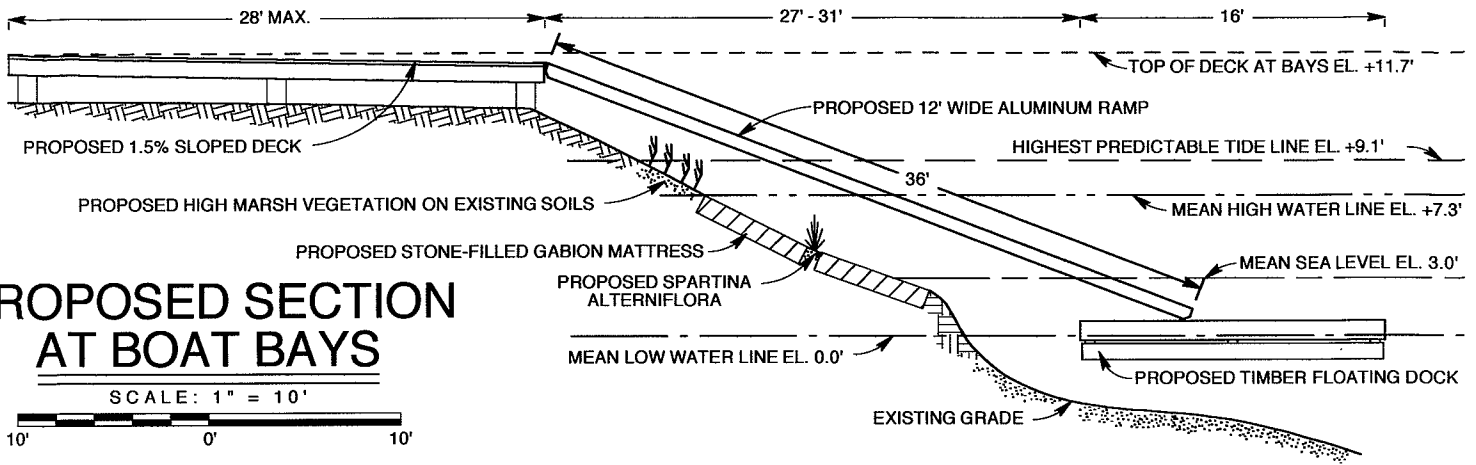
PROPOSED CONDITIONS NOTES:

1. PROPOSED DOCKING FACILITY WILL CONSIST OF 4,320 SQUARE FEET OF TIMBER FLOATING DOCKS WITH 9" FREEBOARD, ANCHORED BY ELEVEN CLASS 'B' OR BETTER TIMBER PILINGS DRIVEN TO A MINIMUM TIP EMBEDMENT OF 9'.
2. PROPOSED RAMPS WILL BE RAVENS MARINE MARINER I - TYPE OR EQUIVALENT.
3. PROPOSED GABION MATTRESSES WILL BE MACCAFERRI RENO - TYPE WITH PVC-COATED GALVANIZED WIRE MESH OR EQUIVALENT.
4. GABION MATTRESSES WILL BE PLACED ATOP A CONTINUOUS LAYER OF GEOTECHNICAL FILTER FABRIC AND WILL BE FILLED WITH A TOTAL OF 155 CUBIC YARDS OF 4" - 6" DIAMETER SURGE STONE.
5. APPROXIMATELY 155 CUBIC YARDS OF EXISTING CONCRETE AND MASONRY DEBRIS WILL BE REMOVED FROM 4,200 SQUARE FEET OF THE INTERTIDAL REGION.
6. 1,000 WETLAND PLANT PLUGS WILL BE PLANTED IN THE INTERTIDAL REGION.

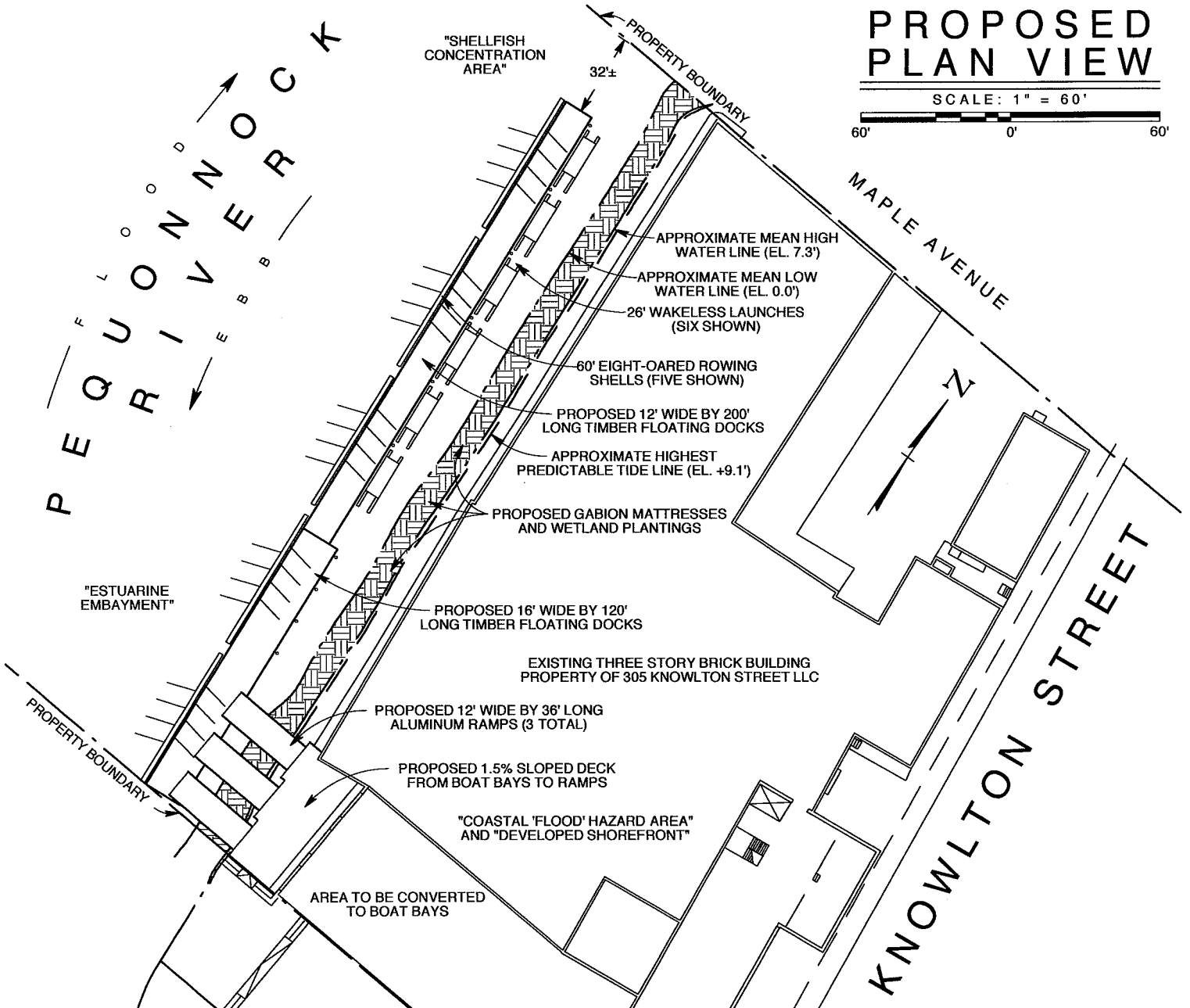
PURPOSE: RECREATIONAL PUBLIC AND COLLEGIATE ROWING FACILITY
 ALL DATUM: MEAN LOW WATER
 ADJACENT PROPERTY OWNER: CITY OF BRIDGEPORT
 APPLICATION PREPARED BY: JOHN HILTS P.O. BOX 47, ROWAYTON, CT 06853
 DATE: 11/15/06 SHEET 1 OF 2 REVISION NUMBER: 1 DATE: 1/03/07

PROPOSED ALUMINUM RAMPS, PILING-ANCHORED TIMBER FLOATING DOCKS, GABION MATTRESSES, WETLAND PLANTINGS, AND REMOVAL OF HISTORICAL FILL IN: PEQUONNOCK RIVER OFF BRIDGEPORT HARBOR AT: 305 KNOWLTON STREET, BRIDGEPORT, FAIRFIELD COUNTY, CONNECTICUT APPLICATION BY: MR. RICK TORRES / 305 KNOWLTON STREET, LLC

PROPOSED SECTION AT BOAT BAYS



PROPOSED PLAN VIEW



PURPOSE: RECREATIONAL PUBLIC AND COLLEGIATE ROWING FACILITY
 ALL DATUM: MEAN LOW WATER
 ADJACENT PROPERTY OWNER: CITY OF BRIDGEPORT
 APPLICATION PREPARED BY: JOHN HILTS P.O. BOX 47, ROWAYTON, CT 06853
 DATE: 11/15/06 SHEET 2 OF 2 REVISION NUMBER: 1 DATE: 1/03/07

PROPOSED ALUMINUM RAMPS, PILING-ANCHORED TIMBER FLOATING DOCKS,
 GABION MATTRESSES, WETLAND PLANTINGS, AND REMOVAL OF HISTORICAL FILL
 IN: PEQUONNOCK RIVER OFF BRIDGEPORT HARBOR
 AT: 305 KNOWLTON STREET, BRIDGEPORT, FAIRFIELD COUNTY, CONNECTICUT
 APPLICATION BY: MR. RICK TORRES / 305 KNOWLTON STREET, LLC