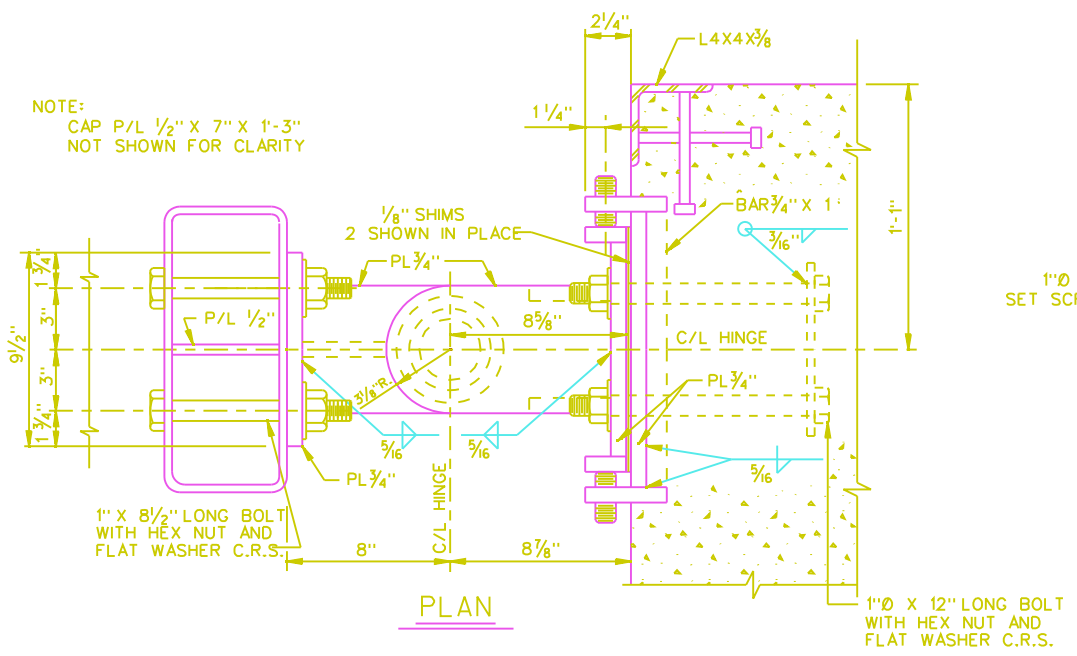
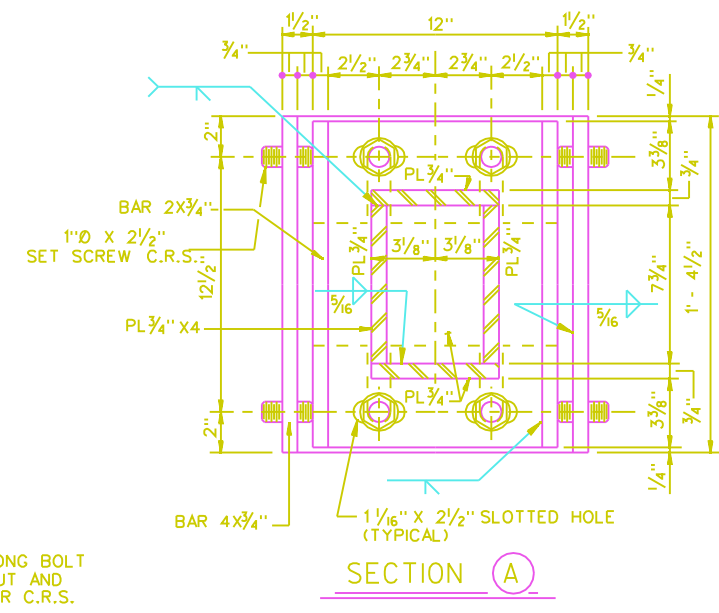


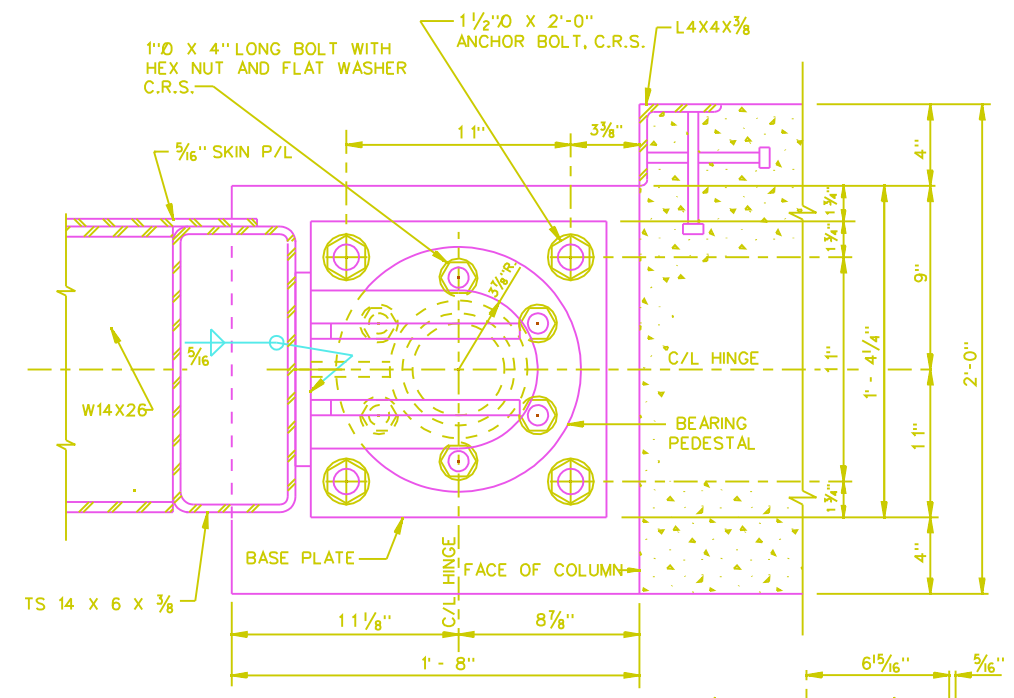
NOTE:
CAP P/L 1/2" X 7" X 1'-3"
NOT SHOWN FOR CLARITY



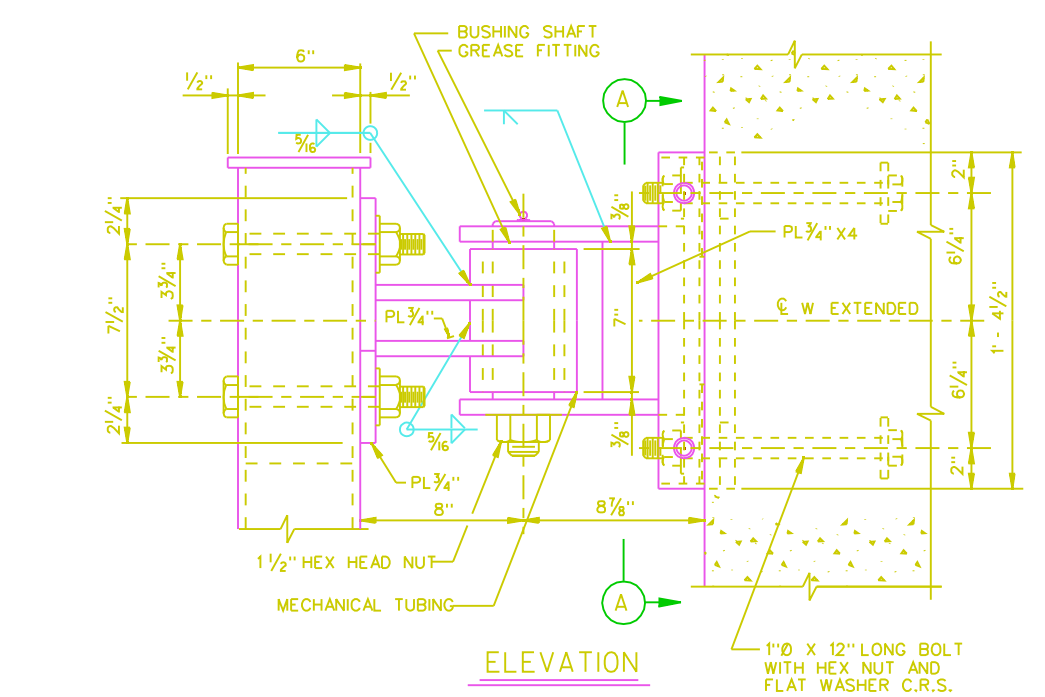
PLAN



SECTION A

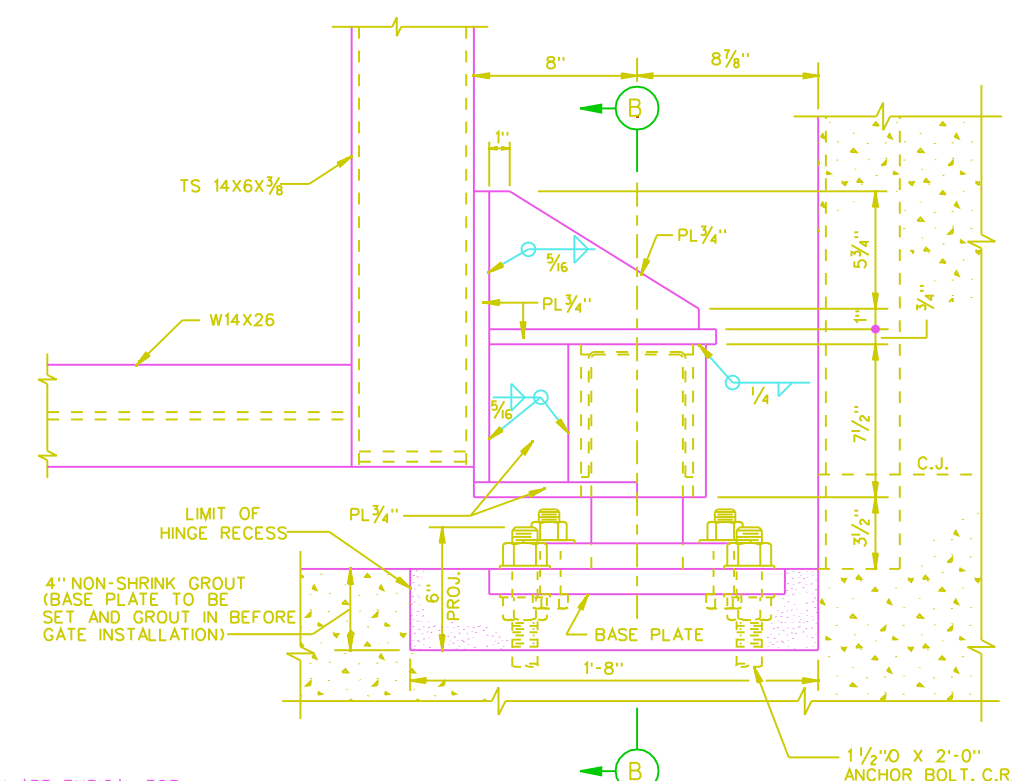


PLAN



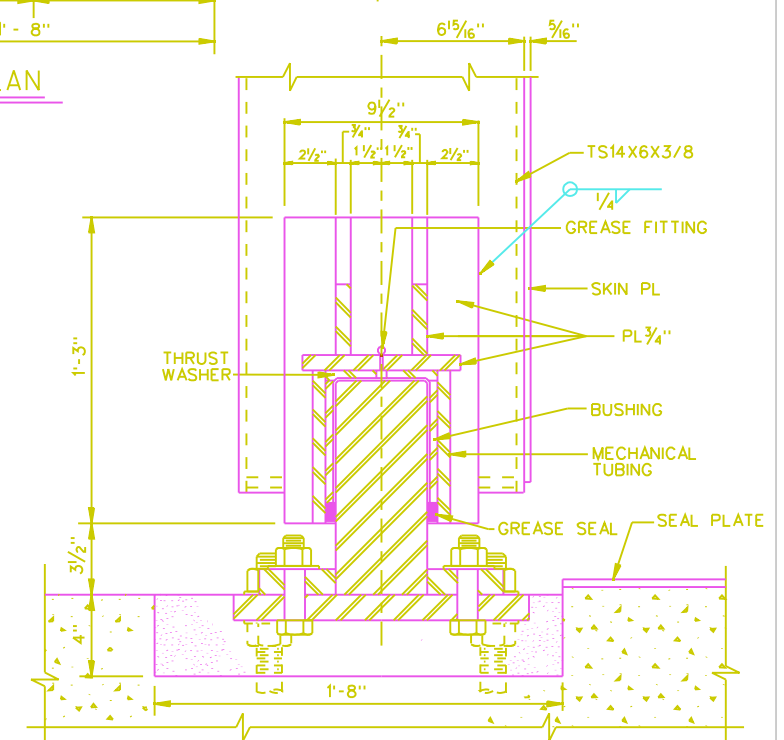
ELEVATION

UPPER HINGE
SCALE: 3" = 1'-0"



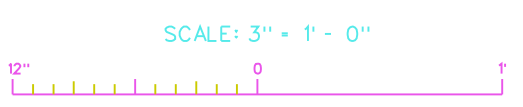
ELEVATION

LOWER HINGE
SCALE: 3" = 1'-0"



SECTION B

NOTE:
WELDS SHOWN ARE TYPICAL FOR
SIMILAR JOINTS WHERE NOT SHOWN.



COMPUTER
AIDED
DESIGN
DRAFTING

LAKE PONTCHARTRAIN, LA. AND VICINITY
HIGH LEVEL PLAN
DESIGN MEMORANDUM NO. 20 GENERAL DESIGN
ORLEANS PARISH - JEFFERSON PARISH
17TH STREET OUTFALL CANAL
(METAIRIE RELIEF)
SWING GATE HINGE DETAILS
U. S. ARMY ENGINEER DISTRICT, NEW ORLEANS
CORPS OF ENGINEERS
DATE: MARCH 1990 FILE NO: H-2-30300