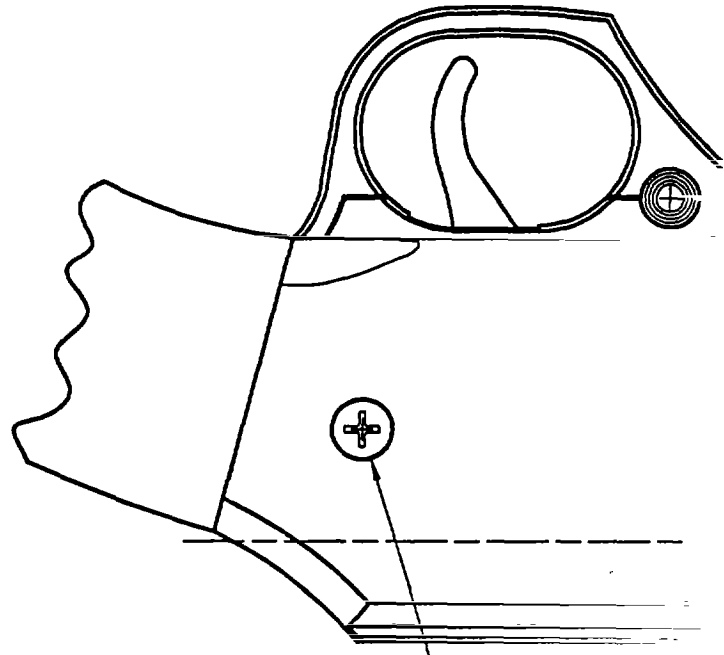


53

6



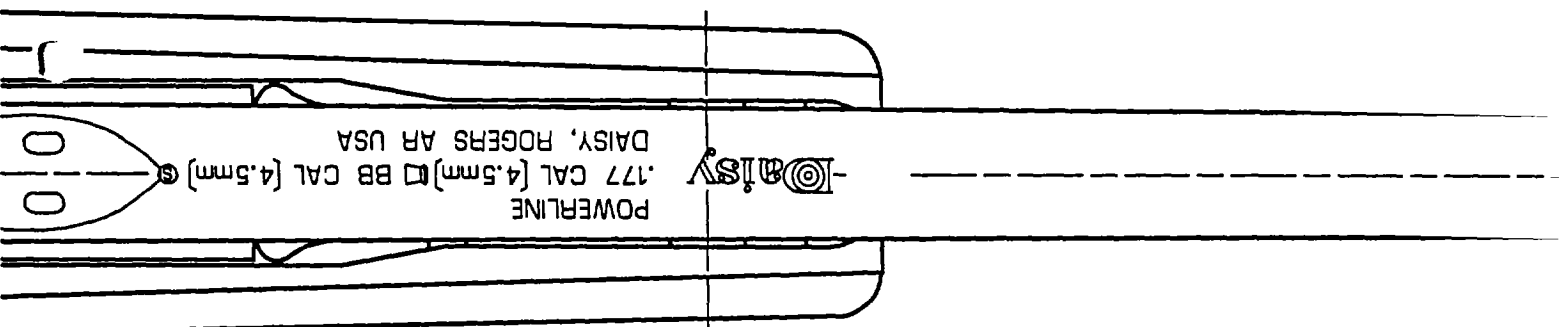
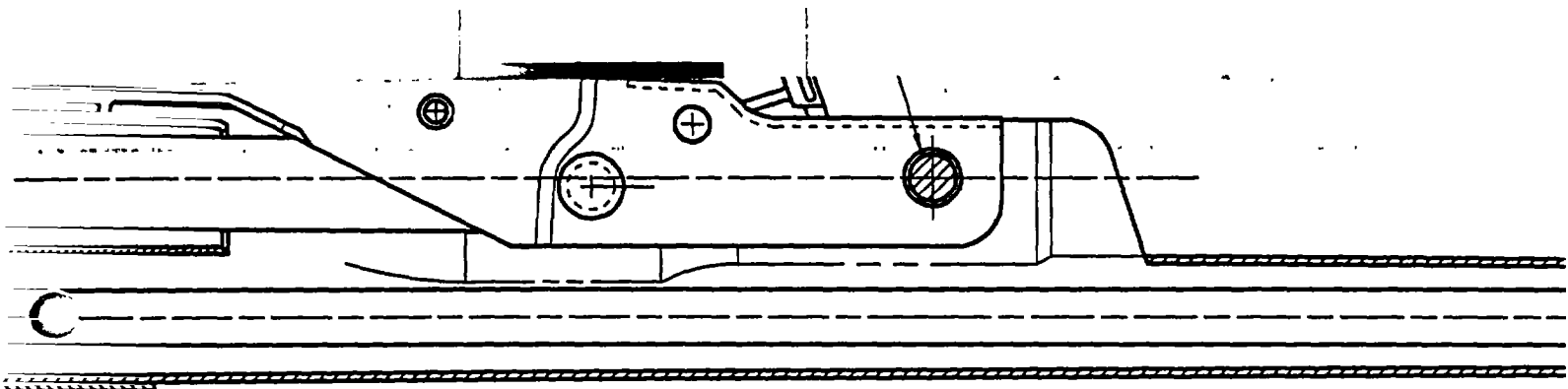
16

17

54

5

ITEM	SIZE	DWG. NO.	PART
19	B	152887-000	152887-000
18	A	132089-000	132089-000
17	A	134430-000	134430-000
16	A	134716-000	134716-000
15	B	135048-000	135048-000
14	A	132093-000	132093-000
13	B	136876-000	136876-000
12	C	154537-000	154537-000
11	C	154497-000	154497-000
10	C	168724-000	168724-000
09	B	164219-000	164219-000
08	C	169315-000	169315-000
07	C	153343-TAB	164211-000
06	B	137544-000	137544-000
05	B	153419-000	153419-000
04	C	152865-000	152865-000
03	D	137624-000	137624-000
02	C	169505-000	169505-000
01	C	154436-100	154436-100



02

55

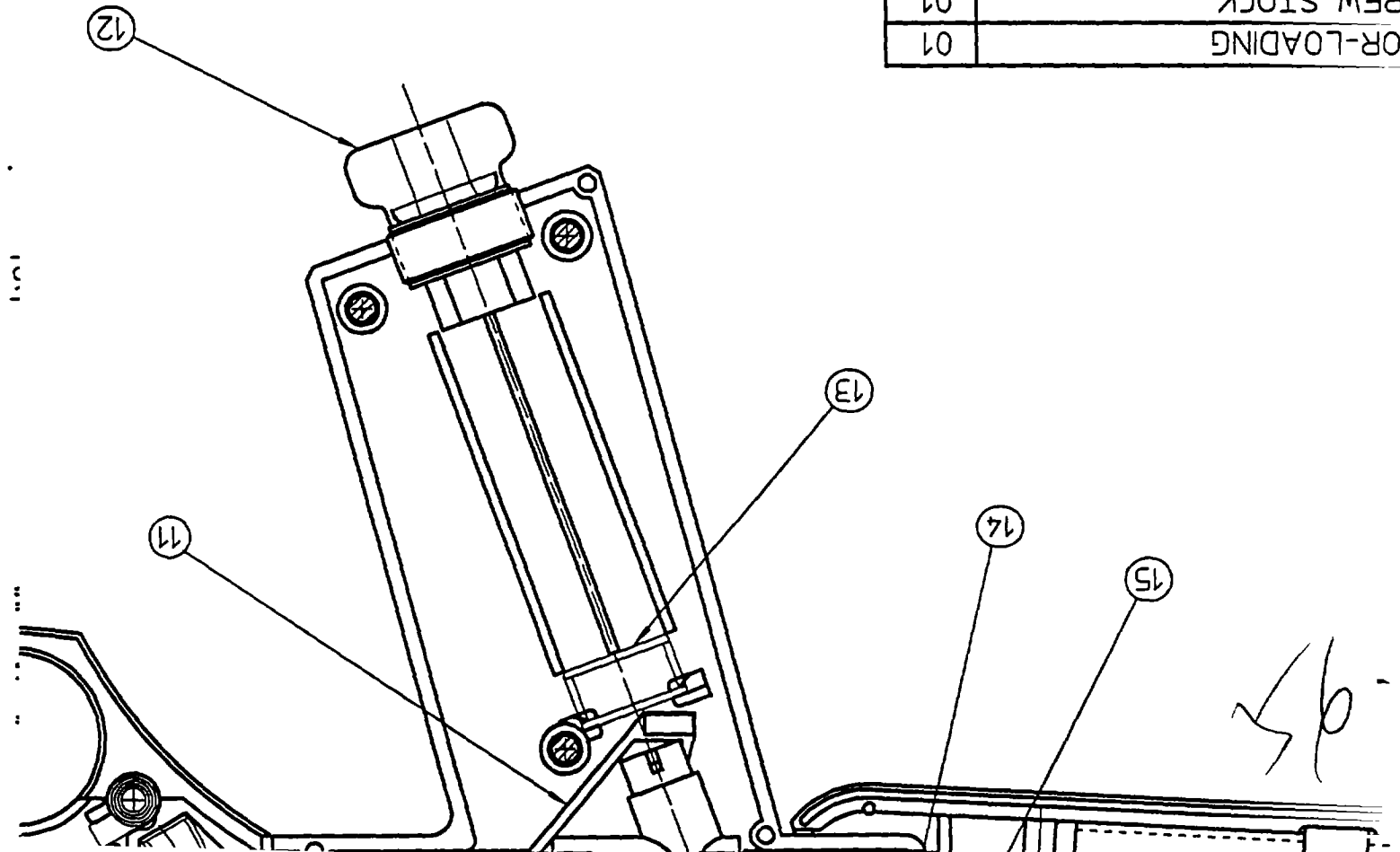
3

4

QTY	DESCRIPTION
01	WELD ASSY.-OUTER BARREL
01	990 FOREARM ASSY.
01	RECEIVER-LEFT
01	SIGHT-FRONT
01	LEVATOR
01	SCREW-REAR SIGHT BLADE
01	BLADE-REAR SIGHT
01	VALVE BODY/BARREL ASSY.
01	RIGHT RECEIVER ASSY.
01	990 STOCK ASSY.
01	SWITCH-(MOLDED)
01	SCREW-PUNCTURE MOLDED
01	SPRING-BOTTLE
01	SLIP-RING
01	SLIP-RING
01	IN-SOLID
05	W-VALVE BODY
01	CREW-STOCK
01	DOOR-LOADING

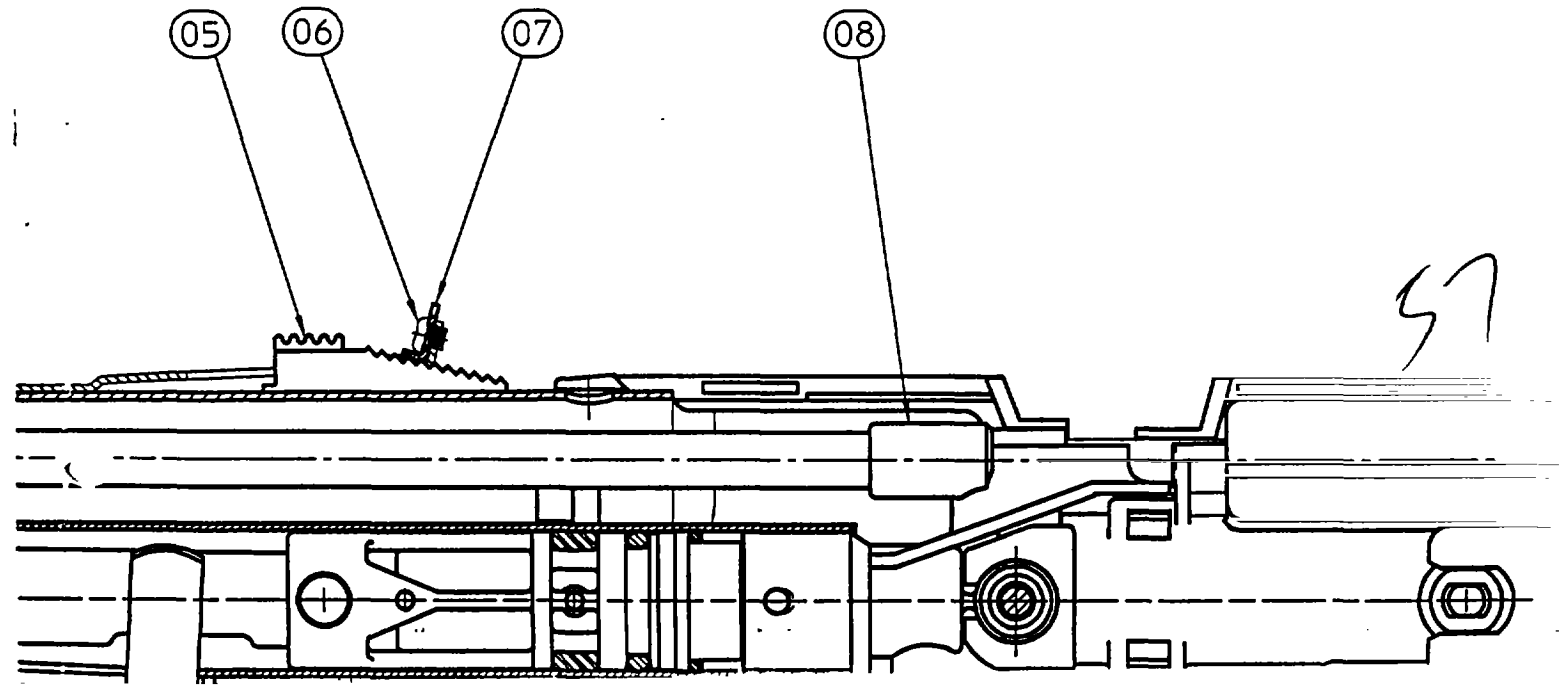
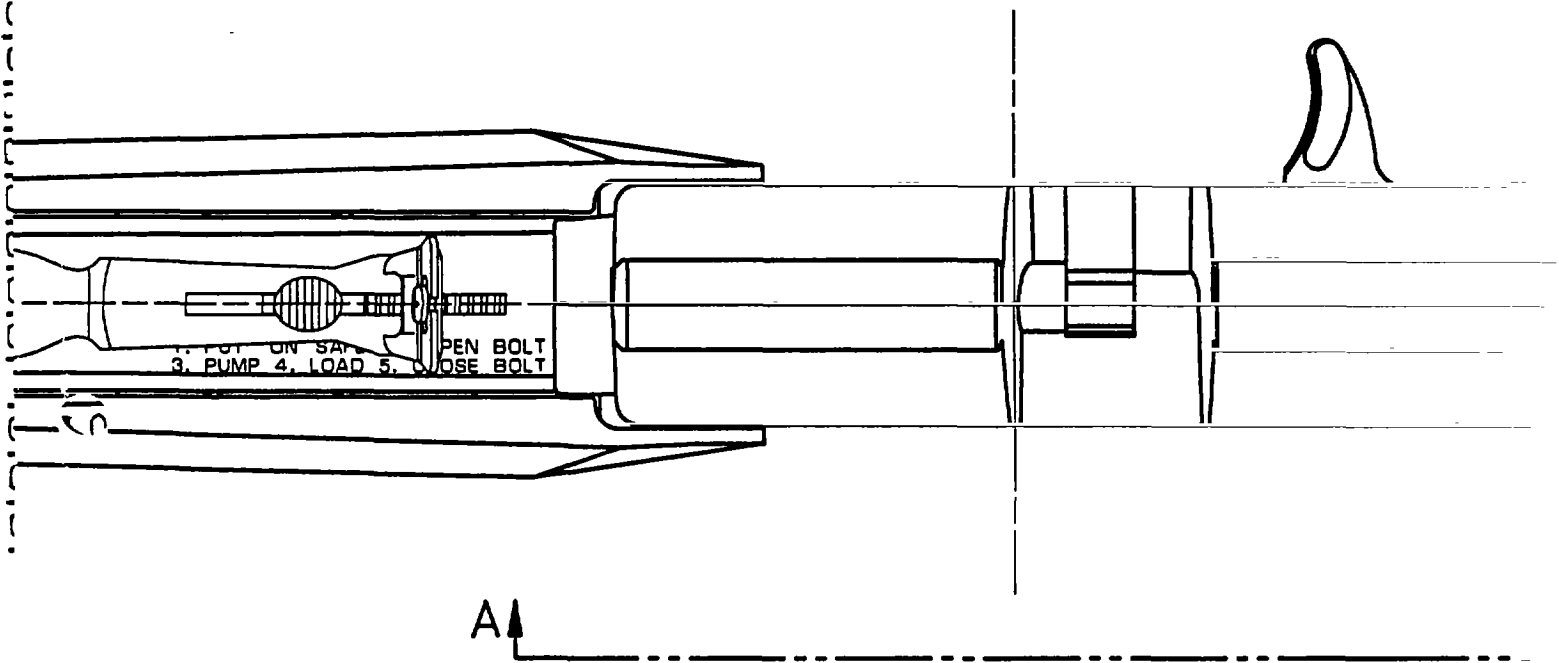
1. TORQUE SCREW (R
2. TORQUE SCREWS
TO 12-16 IN. LBS

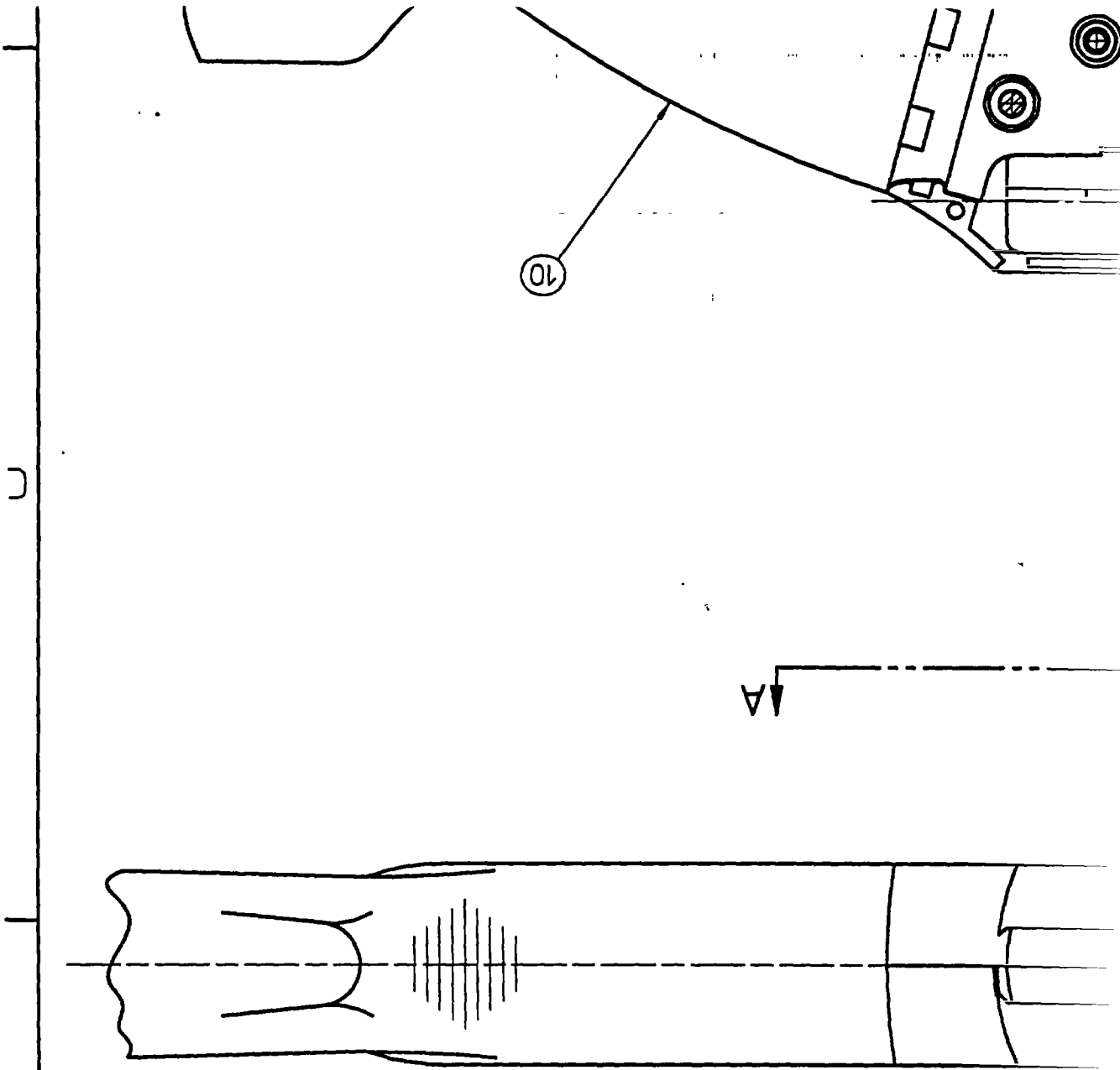
NOTES: UNLESS OTH-



4

3





ZONE	LET	REVISION RECORD	DATE	APPVD
3-A		ADDED NOTES #1 & #2 FOR TORQUE SPECS		<i>WRS</i>
5-A	B	ITEM #7-P/N 164211-000 WAS 153343-100	05/06/98	<i>WRS</i>
5-A	A	FROZEN-NO PREVIOUS RELEASE	08/22/96	<i>WRS</i>

85

C

C

D

AA

10

1

1

2

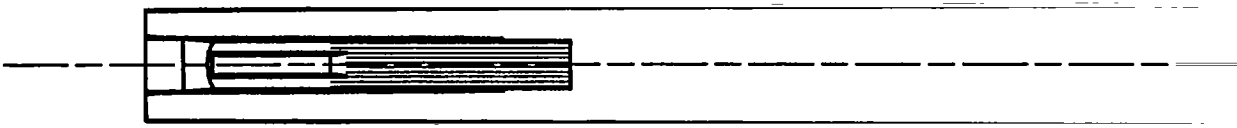
0

1

7

D

01

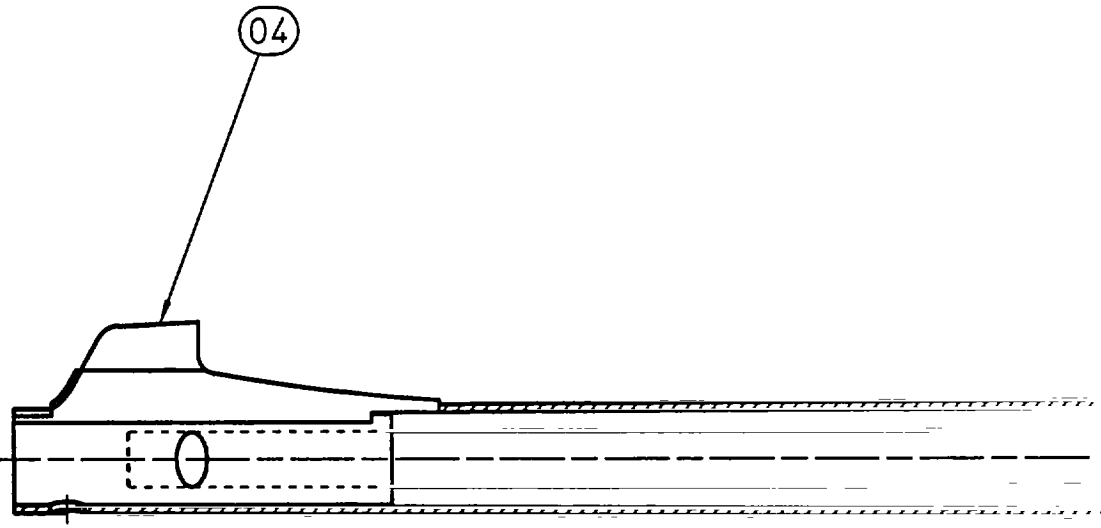


C

04

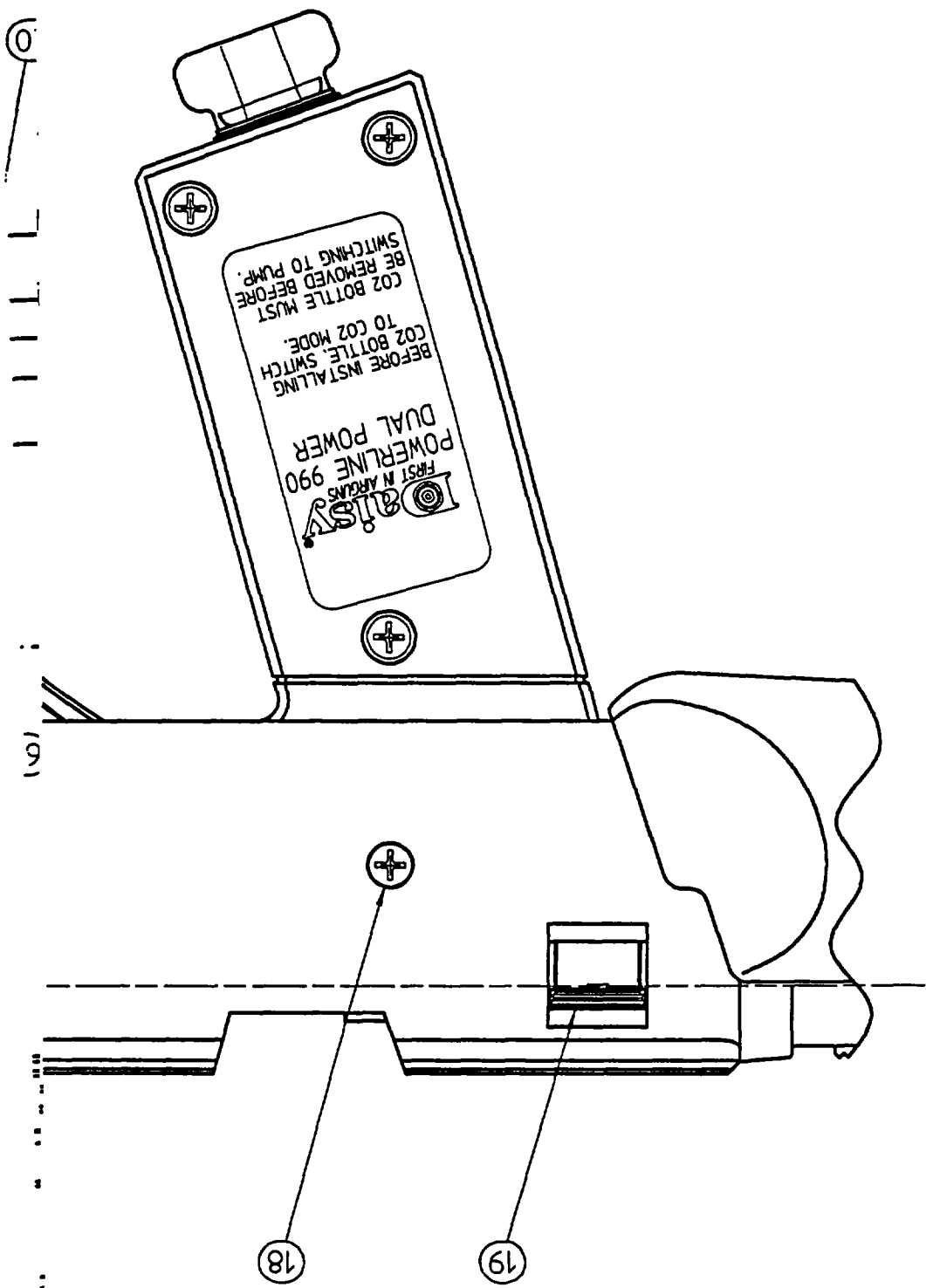
BBL

∅



60

VIEW A-A



19

29

0000

MAY 24 1996

1. CASE NO. 960405CWE6001		2. INVESTIGATOR'S ID 8554	3. OFFICE CODE 860	EPIDEMIOLOGIC INVESTIGATION REPORT	
4. DATE OF INCIDENT YR MO DAY 96 04 02		5. DATE INVESTIGATION INITIATED YR MO DAY 96 04 05			
6. SYNOPSIS OF INCIDENT A ten year old boy was struck in the head by a pellet from an air rifle fired by his friend. The friend and the victim's brother said that they checked the gun and did not think it was loaded. The victim died.					
7. LOCATION (Home, school, etc.) home 10		8. CITY Phoenix		9. STATE Arizona (AZ)	
10A. FIRST PRODUCT air rifle 1237		11A. TRADE/BRAND NAME, IMPORTER Power Line 990 Daisy Manufacturing, Rogers, Arkansas 72757			
10B. SECOND PRODUCT none 1936		11B. TRADE/BRAND NAME, MODEL NUMBER, MANUFACTURER & ADDRESS N/A			
12. AGE OF VICTIM 010	13. SEX (USE NUMERICAL CODE) MALE - 1 FEMALE - 2 1 UNKNOWN - 3		14. DISPOSITION fatality 8		15. INJURY DIAGNOSIS gun wound 63
16. BODY PART head 75		17. RESPONDENT(S) (Mother, Friend) Victim's Father, Police & M.E. Personnel [3]		18. TYPE INVESTIGATION ON SITE - 1 TELEPHONE - 2 [3] OTHER - 3	
19. TIME SPENT [][8][5] ++		20. ATTACHMENTS multiple [9]		21. CASE SOURCE news paper story [0][5]	
22. REVIEWED BY [][][]		23. PERMISSION TO DISCLOSE NAMES (NON-NEISS CASES ONLY) CPSC MAY DISCLOSE MY NAME [] CPSC MAY NOT DISCLOSE MY NAME [x]			
24. NARRATIVE (See Instructions on Page 2)		25. REGIONAL OFFICE DIRECTOR REVIEW DATE			

NARRATIVE NOTE:

Information in this investigation report was obtained from the victim's father, Phoenix Police and Maricopa County Medical Examiner personnel.

The narrative report and exhibits are attached.

MFR/PRVLBR NOTIFIED *[Signature]*
 No Comments made
 Comments attached
 Excisions/Revisions
 Firm has not requested
 further notice

by

Latino *12/24/96*

MAY 24 1996

FIELD ACTIVITY COVERSHEET

1. REGION/STATE FOWR/PHX	2. OPERATION (Check One) <input type="checkbox"/> Inspection <input type="checkbox"/> Establishment Visit <input type="checkbox"/> Telephone Contact (XX) Investigation <input type="checkbox"/> Other []	3. DATE April 05, 1996
		4. NUMBER (For RO Use) 960405CWE6001

5. ESTABLISHMENT
 Name Daisy Manufacturing Company
 Address P.O. Box 220]
 City Rogers State Arkansas Zip 72757 Telephone 501-636-1200

6. RELATED FIRM () Parent () Headquarters () Subsidiary () Other
 Name [] City [] State []

7. PRODUCTS COVERED Air Rifle (Daisy Power Line 990) []	8. OTHER CONSUMER PRODUCTS []
---	--

9. ESTABLISHMENT TYPE <input checked="" type="checkbox"/> Manufacturer <input type="checkbox"/> Importer <input type="checkbox"/> Wholesaler <input type="checkbox"/> Own Label Distributor <input type="checkbox"/> Retailer <input type="checkbox"/> Repackager <input type="checkbox"/> Other []	10. ANNUAL PRODUCTION Product Covered \$ Units [] Other Products \$ Units []
---	--

I.S. BUSINESS % Received [] % Shipped []	12. SAMPLES COLLECTED None	13. MIS CODE 32626	14. HOURS Activity 8.5 Travel 30 min.
--	-----------------------------------	-----------------------	---

15. REASON FOR ACTIVITY (Assignment Reference) ODI #960405CWE6001 was assigned as a f/u to a newspaper story #F96646001A.

16. ANNOUNCED () Rationale for Announced Inspection
 UNANNOUNCED () N/A

17. EMPLOYEE'S NAME Zannie E. Weaver	TITLE Invest.	SIGNATURE
---	------------------	-----------

18. (XX) ENDORSEMENT () REMARKS () SUMMARY () OTHER _____
 This IDI was a f/u to a newspaper article in which a ten year old male was killed by a pellet gun (rifle) fired by his 12 year old friend. The victim's 12 year old brother was also present during the incident. The friend thought the gun was empty and as a joke placed the gun to the head of the victim (aprox two feet) and fired. No additional follow-up at this time.

19. REVIEWER'S NAME en J. Barton	TITLE Supervisor	SIGNATURE 
-------------------------------------	---------------------	---

20. REVIEW DATE 5/14/96	21. DISTRIBUTION Orig: EHDS, cc: CCA, FOWR. <i>c/s: LDB, LGC</i>
----------------------------	--

UN-PURGED

IDI # 960405CWE6001

PRODUCT: air rifle (Power Line 990)

MANUFACTURER: Daisy Manufacturing Company
P. O. Box 220
Rogers, Arkansas 72757
phone # 501/ 636-1200

IDENTIFIERS:

Maricopa County Medical Examiner's Office - case # 96-00951
120 S. 6th Avenue
Phoenix, Arizona 85003
phone # 602/ 506-3322

Phoenix Police Department - case # 60534764
620 W. Washington
Phoenix, Arizona 85003
*Detective S - Mark Stribling (phone # 602/ 534-1770)
*Detective C - T. Cooning
Detective M - Robert Mills
Officer/Detective BG - B. Giesemann
Officer KS - Kenneth Shriner

Dr. H - Doctor Hill, St. Joseph's Hospital, Phoenix, Arizona

Victim/P [REDACTED]
Victim's Brother M - [REDACTED]
Victim's Father & Mother - [REDACTED]
[REDACTED] (site of injury)
Phoenix, AZ 85027
home phone # [REDACTED] & work # [REDACTED]

Victim's Friend F - Michael Ryan [REDACTED]
[REDACTED]
Phoenix, AZ 85027
home phone [REDACTED]
father's name is David Joseph [REDACTED]

Private Investigator for Victim's Attorney
Mr. AH - Mr. Arther Hanratty - phone # 602/ 256-2917

65

PRE-EVENT

This fatality involves an air rifle. Information in this report was obtained from the victim's father and local officials. I requested information from the family that owned the gun but they have not responded to my letter or telephone calls, see exhibit # 4. Any additional information received from them will be forwarded for inclusion with this report upon receipt.

The victim lived at home with his 12 year old brother and parents in Phoenix, Arizona. Local officials described the victim (P) as a 10 year old boy who was in the fourth grade. The Medical Examiner listed the victim's weight at 55 pounds and his height as 55 1/2 inches.

This incident took place during Thursday, April 4, 1996. The victim's father told me that his sons were at home because it was spring break.

The father told Police Officer BG that he left for work around 5:30 a.m. His wife left for work around 5:40 a.m. Their two boys (P & M) were still asleep when they left the house.

Both witnesses of this incident (brother M and friend F) were interviewed separately by Phoenix Police Detective S. Other officers spoke with these two witnesses.

The victim's father said that they did not have any guns or rifles of any type at their home. He would not allow them to own or use pellet/BB guns.

Brother M told Detective S that he got up that morning around 9 a.m. His parents had already left for work and his brother, the victim, was already up by that time.

Brother M said that he walked over to friend F's house around 11 a.m. Friend F was 12 years old and in the sixth grade.

About 20 minutes later his brother arrived. They played video games for about one hour.

The victim, his brother and friend F all went over to the victim's house around 12 noon. They decided to take two pellet air rifles and one BB pistol with them.

Friend F told Detective S that all three guns belonged his older brother who was 15 years old. His brother did not know that they took the guns.

The boys placed the three guns in a blue bathrobe and took them to the victim's house, see photo # 1.

Detective S told me that one of the air rifles can either be operated as an air pump type gun or you can use a CO2 cartridge. He said the victim was shot by this gun. Detectives were told by friend F that they did not have a CO2 cartridge in this rifle at the time of this incident.

The second air rifle had red paint on the barrel. This rifle was operated by a pump lever. It could not be operated with a CO2 cartridge.

Detective C described the victim's home as a single story residential structure located on the north side of the street. The front door faces south and is located just east of the carport area which encompasses the west end of the residence.

The living room area is located north of the front door, see photos 8 & 9. This is where the injury occurred.

All three boys shot the guns in the back yard of the victim's house. They fired the guns at "POGS" which were taped to the back fence and at birds.

After a while the boys went inside the house. Friend F said that they scrambled some eggs and watched television for a while.

At one point the victim went into the living room and decided to call his father at work. He was going to ask for permission to go over to the house of another friend.

Detective C reported that the living room has a three cushion tan colored sofa up against the east wall. A wall unit containing a television and stereo components is located against the west wall of the living room. A fire place, two table and a chair are near the north wall of the living room, see photos # 8 & 9.

While the victim was on the telephone his brother, M, picked up the pellet rifle which includes the CO2 feature. Brother M stated to Officer KS that he shook the gun and did not hear any ammunition inside.

He told Detective S that he pulled the lever back where you load the pellets and looked inside. He did not see a pellet and decided that the gun was unloaded. Brother M then gave the gun to friend F.

67

Friend F took the gun and said "Okay, I'm gonna scare your brother, watch." Friend F told Detective S that he thought the gun was out of ammunition and that it only had air in it.

Detective S said that the boys do not remember if the gun was pumped just before the fatal shot was fired or if it had been pumped earlier. In addition, they do not remember exactly how many times the gun was pumped. One estimate was that it may have been pumped as many as ten times.

Friend F took the gun, raised it to his shoulder and pointed it at the victim. He told Detective S that the barrel of the gun was about two or three feet away from the victim's head.

The victim was still on the telephone. He was sitting on the floor while brother M and friend F were seated on the sofa behind and to his right, see photo # 8. The victim turned his head just as friend F pulled the trigger on the air rifle.

EVENT

The air rifle discharged a pellet. This pellet entered the victim's head through his right ear.

POST-EVENT

Brother M told police that his brother fell. He then crawled from the living room into the family room. He collapsed in front of a second television which was located in the family room. He was unconscious. Blood was coming from the side of his head. Brother M grabbed the telephone and yelled at the lady on the other end to get his dad.

The father told me that while at work he received a telephone call from his son. The father answered the telephone and found his son M on the line. His son was hysterical. M told him that his other son, P, had fallen and hit his head. The father was later told by M that P was shot with a BB gun by their friend, F.

The father told his son M to call 9-1-1. The boy called and requested medical assistance. Paramedics and police were sent to the scene at about 1:45 p.m.

Brother M was very concerned about the presence of the guns in the house because their parents did not allow them to have access to guns. He had friend F grab the guns and remove them. F took the two air rifles and the BB pistol and wrapped them up in a blue bathrobe, see photo # 1. He then took them to his home.

b5

Officer KS responded to the scene and found paramedics treating the victim in the family room where the two cushion sofa was located, see photos # 9 & 10.

Officer KS interviewed the victim's brother and their friend. At that time the two boys gave a false story. They suggested that the victim and his brother were wrestling when he threw him onto the couch. Paramedics indicated that this story did not fit the facts.

Detective C reported that there was a blood trail leading from the living room into the family room. A two cushion tan colored sofa facing south is located in the family room. They found a bloody white pillow on top of the two cushion sofa, see photo # 11.

Other officers arrived at the scene and the boys finally came forward with the facts. F told the officers that he shot the victim with an air rifle.

The victim was air lifted to St. Joseph's Hospital, Phoenix, Arizona. Officer BG was directed to the hospital where he spoke with the medical staff. The victim was still being treated in the emergency room at this time.

Dr. H pronounced the victim dead at 3:35 p.m. Dr. H told Officer BG that he believed the pellet entered from an angle just slightly behind the victim's right ear. This pellet traveled through the brain and stopped in the left temporal area.

A Medical Examiner with Maricopa County conducted an autopsy which Detective S attended. Detective S observed an entrance wound in the victim's right ear just above the opening to the auditory canal. He reported that x-rays showed a projectile in the left portion of the brain.

The Medical Examiner determined that the cause of death was a gunshot (pellet) wound to the head. Her pathologic diagnoses included:

- I. Penetrating gunshot wound of head.
 - A. Distant entrance wound of right external ear.
 - B. Track through right external ear skin and cartilage, right temporalis muscle, right temporal lobe, lodging in the left frontal lobe of brain.
 - C. Nondeformed, grey, small metal pellet recovered from the left anterior frontal lobe of brain.
 - D. Path of gunshot would: Right to left, slightly upward, slightly back to front.

65

A copy of the Medical Examiner's investigation and autopsy reports are attached as exhibit # 5.

Police officials collected the guns from the friend's home. Both Detective S and Detective M examined the two air rifles.

Detective S identified the gun involved in this death as the air rifle which could be operated as a pump air rifle or with a CO2 cartridge. He said that he examined this rifle and found it was impossible to tell if the gun was loaded. He loaded the gun with a pellet, pulled the bolt back and looked into the breach of the barrel. He could not see the pellet.

Detective M reported that he examined both rifles and loaded them. He then looked in the breech after the bolt had been put in battery then retracted. He said that the projectile was not viable. Once placed in battery, he found that the projectile could only be removed by firing the gun or by striking the butt on a hard surface several times or once with increased force, see exhibit # 7.

A copy of the Phoenix Police Original Report and Supplemental Reports are attached as exhibits # 6 & 7. While at the police station I examined their scene photographs. Copies of police photos showing the living room, the family room, the air rifles and the pistol are attached as exhibit # 8.

I've requested access to the air rifle involved in this incident. Detective S stated that it is currently at their laboratory for testing. He indicated that I could probably examine it after their testing is completed. I also requested a copy of their laboratory report. This information will be forwarded for inclusion with this report upon receipt.

During 4-25-96 I was informed by a private investigator, Mr. AH, that he has been hired by the victim's family attorney to investigate this death.

PRODUCT IDENTIFICATION

Police identified the air rifle involved in this fatality as a model # 990 from Daisy. The reference book Brands and Their Companies has a listing for Daisy as follows:

Daisy Manufacturing Company
P.O. Box 220
Rogers, Arkansas 72757
phone # 501/ 636-1200

70

This air rifle uses .177 caliber ammunition. Pellets can be fired from this air rifle using an air pump mode or a CO2 cartridge mode. Police photographs of this air rifle are attached, see photos # 2 - 5.

Labeling which appears on this air rifle includes the following:

WARNING: MISUSE OR CARELESS USE MAY CAUSE SERIOUS
INJURY OR DEATH FOR USE BY AGES 16 OR OLDER

DAISY

AD OPERATION MANUAL BEFORE USING POWER LINE 990

DAISY

POWER LINE 990
DUAL POWER

BEFORE INSTALLING
CO2 BOTTLE, SWITCH
TO CO2 MODE.

A second air rifle found at the scene was identified by Phoenix Police as a Daisy model 880, see photos # 6 & 7.

I made several unsuccessful attempts to speak with the family who owned the air rifle involved in this fatality. Therefore, I was unable to 1) obtain any information about their past experience with the gun, 2) find out where the gun was purchased 3) nor was I able to examine the owner's manual.

I contacted six local stores in an attempt to locate the same brand/model air rifle involved in this incident. Most of the stores carried air rifles but none had this particular model.

No other product information was available.

STANDARDS INFORMATION

No standards information was available.

21

CONTACTS:	PURPOSE & RESULTS:
Police Personnel	Obtained incident scenario & product information.
Medical Examiner Personnel	Obtained medical information.
Victim's Father	Confirmed incident scenario.

EXHIBITS:

1. CONTACT LETTER TO POLICE DEPARTMENT
2. CONTACT LETTER TO MEDICAL EXAMINER
3. CONTACT LETTER TO VICTIM'S FAMILY
4. CONTACT LETTER TO NEIGHBOR/FRIEND'S FAMILY
5. MEDICAL EXAMINER'S INVESTIGATION & AUTOPSY REPORTS
6. POLICE ORIGINAL REPORT
7. POLICE SUPPLEMENTAL REPORTS
8. POLICE PHOTOGRAPHS
9. ASSIGNMENT

72

AUG 05 1996

00010

1. CASE NUMBER 960424CWE5020		2. INVESTIGATOR'S ID 8320		EPIDEMIOLOGIC INVESTIGATION REPORT	
3. OFFICE CODE 860	4. DATE OF ACCIDENT 960223	5. DATE INITIATED 960424			
6. SYNOPSIS OF ACCIDENT OR COMPLAINT: A 15-year old boy permanently lost the sight of his right eye from the pellet of an air rifle that discharged at a range of about 20 feet. The victim and a friend of about the same age were hunting birds when the friend's BB gun accidentally discharged.					
7. LOCATION (Home, School, etc.) Back yard area,		11	8. CITY Blackhawk		9. STATE California, CA
10A. FIRST PRODUCT Pellet gun,		1237 1936	10B. TRADE/BRAND NAME Daisy Powerline		10C. MODEL NUMBER 900
10D. MANUFACTURER NAME AND ADDRESS Daisy Mfg. Co., Inc. 2111-T S. 8th St., P.O. Box 220 Rogers, AR 72756		<p>MFR/PRVLER NOTIFIED 9/22/99</p> <p><input type="checkbox"/> No Comments made <input type="checkbox"/> Comments attached <input type="checkbox"/> Excisions/Revisions <input checked="" type="checkbox"/> Firm has not requested further notice</p>			
11A. SECOND PRODUCT None		11B. TRADE/BRAND NAME N/A		11C. MODEL NUMBER N/A	
11D. MANUFACTURER NAME AND ADDRESS N/A					
12. AGE OF VICTIM 015	13. SEX Male, 1	14. DISPOSITION Treated and Transferred 3		15. INJURY DIAGNOSIS Puncture, 63	
16. BODY PART(S) INVOLVED Eyeball, 77	17. RESPONDENT Official documents, 3	18. TYPE OF INVESTIGATION Other, 3		19. TIME SPENT (Operational hours) 4.0 hours	
20. CATEGORY ID Sect 15 1996	21. CASE SOURCE Newspaper, F9645018A 05		22. SAMPLE COLLECTION NUMBER None		
23. PERMISSION TO DISCLOSE NAMES (Non Neiss Cases Only) YES [] NO [] There is no signed document regarding the release of name					
24. REVIEW DATE 960611	25. REVIEW BY 8101		26. REGIONAL OFFICE DIRECTOR		
27. DISTRIBUTION					

73

FIELD ACTIVITY COVERSHEET

1 Region/State FOWR/SFO	2 Operation (Check one) <input type="checkbox"/> Inspection <input type="checkbox"/> Establishment visit <input type="checkbox"/> Telephone contact <input checked="" type="checkbox"/> Investigation <input type="checkbox"/> Other:	3 Date 11 June 1966
		4 Number 960424CWE5020
5 Establishment Name: Daisy Mfg. Co., Inc. Address: 2111-T S. 8th St., P.O. Box 220 City: Rogers State: AZ Zip: 72756 <div style="text-align: right;">Telephone</div>		
6 Related firm <input type="checkbox"/> Parent <input type="checkbox"/> Headquarters <input type="checkbox"/> Subsidiary <input type="checkbox"/> Other Name: City: State:		
7 Products covered Pellet gun	8 Other consumer products	
9 Establishment Type <input checked="" type="checkbox"/> Manufacturer <input type="checkbox"/> Importer <input type="checkbox"/> Wholesaler <input type="checkbox"/> Own label distributor <input type="checkbox"/> Retailer <input type="checkbox"/> Repackager _____ Other _____	10 Annual production Product covered \$ units: Other products \$ units:	
11 IS business † received <input type="checkbox"/>] † shipped <input type="checkbox"/>]	12 Samples collected None	13 MIS code 32626
14 Hours Activity 4.0 Travel 0.0		
15 Reason for activity		
16 Announced <input type="checkbox"/> (Rationale for announced inspection) Unannounced <input type="checkbox"/>		
17 Employee's Name Laurel Spinazze	Title Investigator	Signature date
18 <input type="checkbox"/> Endorsement <input type="checkbox"/> Remarks <input type="checkbox"/> Summary <input type="checkbox"/> Other: <p style="margin-left: 40px;"> IDI conducted in response to a newspaper account of an injury associated with an air rifle. A 15 year old boy was accidentally shot at close range by a 14 year old playmate. The boys were shooting birds in the backyard of the 14 year old who owned the air rifle. We were unable to examine the product. No further follow up. </p>		
19 Reviewer's Name James P. DiGrazia	Title Supervisory Investigator	Signature
20 Review Date 960611	21 Distribution O: EHDS cc's: DAL-SO; SFRO cc c/s: LDB/LGC	

The contents of this report are based on the newspaper account, on official documents, and on a telephone conversation with the investigating police officer. The police department returned the pellet gun to the victim's parents; the parents refused me an interview.

PRE-INCIDENT:

Scene of the event is the back yard area of a single family residence located in a affluent subdivision within commuting distance of San Francisco. Two boys, one aged 14, the other 15, were in and about the back yard shooting birds. The younger boy lived in the home and owned an air rifle; the older, who was visiting, lived in a town some 30 miles from the subdivision.

INCIDENT:

The day was a Friday, the time about 7:00 pm. It was dusk and visibility was beginning to be poor. The victim was standing on the deck using a pool cleaning apparatus to flush birds out of a vine covered trellis. His friend was holding the subject BB rifle in his right hand, and walking somewhat backwards in a direction away from the trellis. The two boys were separated by about fifteen feet when the friend turned toward the victim, and all of a sudden the rifle discharged. The victim put his hand up to right eye and began to stagger. At first, the friend thought that the victim was joking. But he kept his eye closed, and soon it begin to swell and bleed, and the friend quickly realized that the victim was injured. Against the victim's wishes, the friend called 911 emergency. Police officers arrived, and a helicopter transported the victim to hospital emergency where he was diagnosed as being in serious condition.

POST INCIDENT:

At the time of the event, the rifle was being used in the pump mode (not CO2). When police investigators inspected the rifle, they found that eight pumps had been used up. Since the rifle is good for 10 pumps at a time, it was not at full power when the event occurred. The rifle did not appear to be brand new. The police removed one of the projectiles for inspection by a paramedic; it was a copper-coated BB.

The pellet went through the victim's right eye and crossed into the left side of his brain finally stopping against the skull in back of the brain. He has permanently lost the sight of his eye, and as of about a month after the event, his speech remains muddled. He is working to regain motion of this right side.

PRODUCT DESCRIPTION:

Product: Air rifle
Type: Both carbon dioxide and pump-up, 177 caliber. Dual pellet and BB. Good for 10 pumps at a time.
Model: Crossman Powerline 990
Lot Number: 95514176
Manufacturer: Daisy Mfg. Co., Inc
2111-T S. 8th Street, P.O. Box 220
Rogers, AR 72756

SAMPLES COLLECTED:

None

STANDARDS INFORMATION:

Whether the product complied with a standard remains unknown.

LIST OF EXHIBITS:

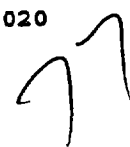
Police report (controlled document), 9 pages.

960424CWE5020

Pellet.gun

3

960424CWE5020

A handwritten mark or signature consisting of two vertical lines with a curved top, resembling a stylized '7' or a similar symbol.

980908HCN0414

An on-site was not conducted in Moulton, Alabama, where this incident occurred. Information in this report was provided by the investigator referenced in the attached Exhibit 3 report provided by the sheriff's department. Information was also provided by the coroner who provided the attached Exhibit 4 coroner's report. Information reflected in the attached Exhibit 2 Non-powder Gun Incident Data Record Investigation Guideline was provided by the investigator with the sheriff's department and the coroner.

PRE-INCIDENT:

According to the investigator with the sheriff's department, a 13 year old male (DOB 3/20/85) and his 10 year old brother were at their grandmother's on the day of this incident (8/18/98). He stated that it was approximately 4:30 p.m. and the boys left their grandmother's to go to their house and turn on the air conditioner so the house would be cool when their mom and day got home from work. The investigator stated the 2 brothers were going through the kitchen to the back door and the 13 year old victim was in front of the 10 year old. The investigator stated the 13 year old male went around the refrigerator out of sight of his 10 year old brother for 2 or 3 seconds and the 10 year old heard a gun go off. The gun was described by the investigator as a dual powered spring and air CO2 gun. The investigator stated the 10 year old asked the 13 year old if he was okay and he stated "I shot myself".

The investigator stated the victim and his brother then went outside. He stated they came back in approximately 3 or 4 minutes later to put a band aid on the area where he shot himself and the victim collapsed on the kitchen floor. The attached Exhibit 4 coroner's report states in part "...then returned into the house to the kitchen and walked to the refrigerator and then across the room to the dishwasher, opened the dishwasher and fell to the floor. He then attempted to get up and at that time lost consciousness..."

INCIDENT:

At approximately 4:30 p.m. on August 18, 1998, a 13 year old male shot himself in the left temple with a gun identified by the investigator with the sheriff's department as a BB gas powered gun while going through the kitchen to go out the back door of his home in Moulton, Alabama. According to the coroner's report, the victim's younger brother indicated that the victim had started out the door with an air pistol when it discharged. The attached Exhibit 4 coroner's report indicates in part "Wound was noted to left temple...x-rays showed BB had

79

980908HCN0414

entered from left side of head, traveling through the brain and stopped on right side of head." The cause of death is listed on the attached Exhibit 4 as "Accidental self-inflicted gun shot wound to head from air pistol."

According to the investigator with the sheriff's department, the distance between the gun muzzle and the victim when the shooting occurred was estimated to be a few inches since the victim had the gun in his hand. The investigator stated there were no adults present at the time of the shooting and it is unknown whether or not the victim thought the gun was unloaded. He did state that when he got to the home the safety was on the gun. He stated he assumes the victim knew it was loaded because he was taking it outside to shoot it.

POST-INCIDENT:

The investigator stated the victim's 10 year old brother called 911 and got cut off so he called his mother at work and she in turn called 911. He stated the ambulance arrived, took the victim to the hospital emergency room and he was then transferred to a hospital in Huntsville, Alabama, where he was pronounced dead at the hospital. The investigator indicated no autopsy was conducted.

PRODUCT INFORMATION:

The investigator with the sheriff's department identified the product as a "power line" 990 Daisy .177 caliber dual powered spring and air CO2 BB rifle which has a safety. The address for the gun was obtained from the Trade Names Dictionary as being Daisy Manufacturing Co., Box 220, Rogers, AK 72756. He stated the gun does have a warning statement which states "WARNING - MISUSE OR CARELESS USE MAY CAUSE SERIOUS INJURY OR DEATH - FOR USE BY AGE 16 OR OLDER.

The investigator stated the gun was purchased for the victim's 10 year old brother approximately August 15, 1998, by the victim's parents. He did not know where the gun was purchased.

The investigator provided a photocopy of a photograph of the gun which can be seen in the attached Exhibit 3. He described the gun as being black in color approximately 28 inches in length with a plastic stock and a metal barrel.

The investigator also provided the attached Exhibit 5 photographs of the gun.

80

980908HCN0414

ATTACHMENTS:

- Exhibit 1 - Newspaper Article.
- 2 - NonPowder Gun Incident Data Record Investigation Guideline.
- 3 - Report received from investigator with the sheriff's department with photocopy of gun attached.
- 4 - Report received from coroner.
- 5 - Polaroid photo of gun (submitted as hard copy - not scanned document).

81

980908 HCN 0414

MAGNOLIA
CLIPPING SERVICE
JACKSON, MS (601) 856-4221
HUNTSVILLE TIMES
Huntsville, Alabama
DAILY

AUG-21-98

Moulton

■ Teen-ager dies 50x
from pellet gun wound

A 13-year-old Moulton boy died from a pellet shooting in the forehead that his grandfather said was accidental.

Lawrence County Sheriff Grady Rose said the death Wednesday of [redacted] 13, remained under investigation.

The boy's grandfather, [redacted] of Moulton, said [redacted] was carrying a pellet rifle that fired when the boy stumbled.

1

<

WEG
Now POWDER GUNS
CAT. TYNH34
MIS. 12165

IOI # 980908 HCN 0414

G984 0081A

EX. 1

980908HCN0414



INVESTIGATION GUIDELINE

Attachment A

Nonpowder Gun Incident Data Record

(Attach to current edition of CPSC Form 152 - Epidemiologic Investigation Report - along with summary of proximal sequence of events leading to incident and other supporting documents.)

Task Number: 980908 HCN 0414 Date of Incident: 98 08 18

A. VICTIM INFORMATION

- 1. Birthdate: 3-20-85 2. Date of Death: 8-18-98 3. Age: 13 years
- 4 Height: _____ inches 5. Weight: _____ pounds 6. Gender: Male Female
- 7. Race (Circle all that apply): Asian Black Hispanic Native-American White Unknown
- 8. Nationality: USA Other: _____
- 9. Father's Age: _____ years 10. Father's Occupation: _____
- 11. Mother's Age: _____ years 12. Mother's Occupation: _____

B. SHOOTER INFORMATION

- 1. Age: _____ years 2. Gender: Male Female 3. Nationality: USA Other: _____
- 4. Race (Circle all that apply): Asian Black Hispanic Native-American White Unknown

C. GUN INFORMATION

- 1. What type of gun was involved? Rifle Pistol
- 2. Is the gun a BB gun, pellet gun, or combination BB/pellet gun? BB Pellet BB/Pellet
- 3. What is the CALIBER of the gun? .177 bb caliber .22 Other: _____
- 4. What is the PROJECTILE TYPE? BB Pellet Dart Other: _____
- 5. Does the gun have a single-shot or multiple-shot magazine? Single-shot Multiple-shot

None

Ex. 2

83

980908 KN 0414



INVESTIGATION GUIDELINE

- 6. What is the gun's firing mechanism? Air CO₂ Spring Other: Dual Power Spring + CO₂
- 7. How many times (maximum) could the gun be pumped (0 if none)? None
- 8. Does the gun have a safety? Yes No Unknown
- 9. Are any warnings or safety advisories on the gun itself? Yes No Unknown
If YES, what do they say? WARNING - MISUSE OR CARELESS USE MAY CAUSE SERIOUS INJURY OR DEATH - FOR USE BY AGE 16 OR OLDER
- 10. What is the MAKE or BRAND of the gun? DATSY
- 11. What is the MODEL/NUMBER of the gun? Power Line 990
- 12. What is the SERIAL NUMBER of the gun? Unknown
- 13. WHEN was the gun purchased? Approx 8-15-95
- 14. WHERE was the gun purchased? Unknown
- 15. WHY was the gun purchased? ''
- 16. For WHOM was the gun purchased? For victim's younger 10 yr old brother

D. SCENARIO INFORMATION

- 1. Was the shooting an accident, assault, or suicide? Accident Assault Suicide Unknown
- 2. Did the shooter think the gun was unloaded before shooting? Yes No Unknown
Assumes victim knew it was loaded because he was taking it outside to shoot it.
- 3. If YES, did the shooter try to verify that the gun was unloaded? Yes No Unknown
- 4. If YES, how did the shooter check? Did the shooter: (Circle all that apply)
 - a. Shake the gun and listen for BBs in the magazine
 - b. Open the bolt and check the bolt tip
 - c. Fire the gun
 - d. Other: Unknown
- 5. Was the gun aimed directly at the victim when the shooting occurred? Yes No Unknown
Left temple was shot
- 6. Did the projectile ricochet off an object before hitting the victim? Yes No Unknown

EX. 2

64

980908 HCN 0414



INVESTIGATION GUIDELINE

7. Where was the victim when the shooting occurred? Kitchen
8. Where was the shooter when the shooting occurred? Kitchen
9. What was the distance between gun muzzle and victim when the shooting occurred?
 _____ (or (Circle one: measured estimated) a few inches - victim had gun in his hand)
10. Was an adult (18 years old or older) present at the time of the shooting? Yes No Unknown
11. Did the owner know that the gun could kill people? Yes No Unknown
12. Did the shooter know that the gun could kill people? Yes No Unknown
13. What relation was the shooter to the victim? (The shooter was a(n) _____ of/to the victim.)
Self Sibling Parent Child Relative Friend Acquaintance Stranger Unknown
14. What relation was the owner to the shooter? (The owner was a(n) _____ of/to the shooter.)
 Self Sibling Parent Child Relative Friend Acquaintance Stranger Unknown
Gun was purchased by parent for 10yr. old brother of victim
15. How old was the gun owner? _____ years _____ months unknown
16. How old was the shooter? 13 years _____ months
17. Did the literature that came with the gun have safety information? Yes No Unknown
 If Yes, had the shooter read that safety information? Yes No Unknown
18. Had the shooter received gun or hunter safety training? Yes No Unknown
19. Where was the wound? Head Face Eye Neck Chest Abdomen Extremity: _____
20. What was the medical diagnosis of the injury and cause of death (if applicable)?
"accidental self-inflicted gunshot wound to head from air pistol"
21. Is there any evidence of alcohol or drug involvement in the shooting? Yes No Unknown

EX. 2

85

09/22/1998 01:28 12855742415
09/14/98 14:27 021 208 874 2411

LAWRENCE CO SHERIFF
LAWR CO SHERIFF

001-001



FAX COVER SHEET

9809DYHCN0414

Lawrence County Sheriff's Office
750 Main Street, Suite 3
Moulton, Alabama 35650

Grady B. Rose, Sheriff

To: Jimmy Barrett

Attention: _____

From: Somtha

Date: 9/22/98 Time: 1:30pm

Total pages 34 Including this one

Operator: Sam

IF THIS TRANSACTION IS NOT SATISFACTORY, OR IF THERE ARE ANY QUESTIONS PLEASE CALL (205)-974-9291 AND ASK FOR THE OPERATOR LISTED. OUR FAX NUMBER IS (205)-974-2411. THIS FAX IS MANNED 24 HOURS A DAY.

NOTES: Mo. Barrett was need to
Speak w/ Lyndex Blanton, chrisat@ata
256-974-2407

EX. 3

fb

09/22/1998 01:28

12059742415

LAWRENCE CO SHERIFF

PAGE 02

980908HCN 0414



EX. 3

87

07/22/1988 01:20

12009/42010

LAWRENCE CO SHERIFF

PAGE 03

ALABAMA UNIFORM INCIDENT/OFFENSE REPORT

980908HCND414

0.42.0000 0:11:19.9 517 LAWRENCE CO. SHERIFF DEPT. 98.08-02.96

MOBILEVILLE, AL MOBILEVILLE, AL

01/18/98 13

SHOT WITH BB GUN

RESIDENCE

0:11:19.9 430

BB GUN

PROPERTY DESCRIPTION	STOLEN	DAMAGED	DATE	VALUE
Dwight Power Line 990 BB Gun				

DOLLAR VALUE

VEHICLES

AD-90-OR REV. 10-88

INCHES 1 2 3 4 5 6

TYPE OR PRINT IN BLACK INK

EX. 3

ff

705 974 0683

L'RENCE EMA

'98 09/26 16:45

001

12521 Al. Hwy 157 Suite C
Moulton, AL 35650
Phone (256)974-3711
Fax (256)974-3711

Lawrence County
EMS

980908 HONV414

Fax

To: Simone BARRETT From: Celery Rando/pr
Fax: _____ Date: _____
Phone: _____ Pages: _____
Re: _____ CC: _____

Urgent For Review Please Comment Please Reply Please Recycle

Comments: _____

EX. 4

90

980908 HEN0414

Lawrence County Coroner
 Greg Randolph
 12521 AL HWY 157 Suite C
 Moulton, AL 35650

Coroners Report

On August 18, 1998 at 16:23 hours Lawrence County EMS was dispatched to a call at 562 County Road 245 by 911. Arrived on scene at 16:32. Subject had been shot with a B.B. gun.

On arrival found 13 year old male lying in floor. Subject was unresponsive and wound was noted to left temple. Advance life support measures were taken and subject was transported to Lawrence Baptist Medical Center E.R. Subject was transferred later that p.m. to Huntsville Hospital via Medflight.

X-ray showed B.B. had entered from left side of head, traveled through the brain and stopped on right side of head. No exit wound noted. No other injuries noted to subject.

Subject died following day at Huntsville Hospital.

In a follow up investigation [redacted] younger brother was interviewed and gave the following information. He stated that they had come home a short time before the accident occurred to turn on the air conditioner. According to the brother [redacted] had started out the door with an air pistol when it discharged. [redacted] then returned into the house to the kitchen and walked to the refrigerator and then across the room to the dishwasher, opened the dishwasher and fell to floor. He then attempted to get up and at that time lost consciousness according to his brother.

Casey A. Richardson D.O.B. March 20, 1985

Cause of Death: Accidental self-inflicted gunshot wound to head from air pistol.

Greg Randolph
 Lawrence County Coroner

EX4

91

ar ✓

For Engineering

**ALL CHANGES-MODEL 990
(FROM FIRST PRODUCTION TO MARCH, 1999)**

CURRENT
'S

2-1549-101
1-154536-001
1-154519-101
-154496-000
-153795-000
3-154492-000
-154537-000
2-137623-000
2-137624-000
-167919-000
3-153763-001
2-154426-001
A-137976-000
C-169673-000

PCR #	PART #	PART NAME	DATE OF CHANGE	DESCRIPTION OF CHANGE	REASON FOR CHANGE
C-436	154519-000	990 VALVE BODY	2/24/95	DELETE 0.127 X 0.094 LINE UP TABS FOR PUMP TUBE	IMPROVE PRODUCTIVITY & REDUCE SCRAP & RE-WORK AT ASSY.
C-436	54536/B-10538	990 PUMP TUBE	2/24/95	CHANGE PUMP TUBE MACHINING TO DELETE NOTCH FROM PUMP TUBE	IMPROVE PRODUCTIVITY & REDUCE SCRAP & RE-WORK AT ASSY.
C-515	154519-000	990 VALVE BODY	11/15/95	0.126 DIA. ± 0.001 WAS 0.1245 DIA. ± 0.001	TO KEEP POSSIBILITY OF A LINE TO LINE FIT BETWEEN THE VALVE HOLE & VALVE STEM.
C-574	154496-000	990 SPOOL	4/27/94	2.72 TO 2.74	PART TO MATCH AS TOOLED
C-578	53795/C-10545	PISTON	5/16/94	CHANGE FOLLOWING DIM. WAS IS 0.732-0.737 0.728-0.737 0.725± 0.005 0.72± 0.010 0.563± 0.003 0.565± 0.005 0.253-0.255 0.253-0.256 1.765± 0.005 1.77	MAKE PART PRINT MATCH PART AS TOOLED.
C-589	54496/B-54496	SPOOL	5/18/94	CHANGE FOLLOWING DIM. WAS IS 2X 0.140± 0.002 2X 0.140± 0.003 0.235± 0.002 0.232± 0.004 2X 0.245± 0.002 2X 0.244± 0.003	MAKE PART PRINT MATCH PART AS TOOLED.
C-591	54498/B-54498	SCREW-PUNCTURE	7/12/93	#24171 NYLON 6 30% GLASS-3130 BLACK-CELANESE WAS #64079 (#36868) SCREW PUNCTURE	COST REDUCTION
C-663	154501 154502	990 RECEIVER	11/30/94	LOWER VALVE SPOOL LOC. RIBS TO 0.542(WAS 0.530) & THICKEN WALL ON LEFT HALF TO 0.530 FROM C/L TO BETTER GUIDE SPOOL VALVE.	TO ALLOW LOCATING RIBS TO CONTACT & ALIGN SPOOL VALVE BETTER (SOONER) & TO PREVENT ROTATION OF SPOOL VALVE & BINDING OF SWITCH.
N/A	169314-000	VALVE	12/9/97	ITEM #3-P/N 132989-000 O-RING WAS 134313-000	COST REDUCTION
N/A	153763-001	BAFFLE	10/20/98	ADDED RADIUS TO BOTTOM OF BAFFLE & SHORTENED WELD TABS	TO PREVENT POSSIBILITY OF BB INTERFERENCE
N/A	154436-001	OUTER BBL ASSY	3/12/99	REVERSED BAFFLE IN THE OUTER BARREL	TO ELIMINATE POSSIBILITY OF INTERFERENCE WITH BB & OUTER BARREL
N/A	137976-000	O-RING	3/12/99	CHANGE MOLDED PART TO COMPRESSION O-RING	STANDARDIZATION
N/A	169673-000	VB ASSY	3/12/99	ITEM #2-P/N 137976-000 WAS 136996-000	O-RING WAS CHANGED

99

94 :

Cust-no	Name	Address[1],Address[2],City,St,Zip,County	Telephone
0285	A MONTEZ, LDA	HORTA DOS BACELLOS A EN 115, 2625 STA IRIA DA AZOIA, PORTUGAL	3511959043 *
0284	B & B INTERNATIONAL	13444 MOORPARK STREET SUITE 27, , SHERMAN OAKS, CA 91423	2138760867 *
0699	BARNETT INTL LTD	DOCK MEADOW DR, LANESFIELD, WOLVERHAMPTON, WEST MIDLANDS, EN	902405121 *
1410	CASA SIU S A	APARTADO 6343, PANAMA 5, REPUBLICDE PANAMA, us	204714 *
1921	D DIAMANTOPOULOS & CO	57 STADIUOU STR 3RD FLO., , ATHENS GREECE; us	0 *
2029	M&P EXPORT MANAGEMENT	SUMMIT CORPORATE CTR, 2329 STATE HIGHWAY 34, MANASQUAN, NJ 0	7322230160 *
2811	SPORTIL S A	PORTAL DE GAMARRA 50, APARTADO 461, VITORIA SPAIN, us	0 *
2922	RASGELE AV.MAL.VE SAN LTD.	855 SOK. NO. 23 KEMERALTI, ,IZMIR TURKEY, us	9.02324E+11 *
3911	GUSTAVO TAGLE SANCHEZ	REPRESENTANTE EN CHILE, AV. BULNES 118, SANTIAGO CHILE, us	0 *
4488	INDUSTRIAS EL ANGOLO SRL	MONTE GRANDE 165, CHACARILLA DEL ESTANQUE, LIMA 33 PERU, . 0	4034516636 *
4490	INLAND PACIFIC DISTRIBUTORS, L	15404-114 AVENUE, EDMONTON, ALBERTA, CANADA, T5M 3S8 us	647-345-9094 *
4798	KILWELL SPORTS LTD	PRIVATE BAG, RO 3033, NEW ZEALAND, us	0 *
5500	MAINO S.A.I.C.F.I.	BRASIL 1219, BUENOS AIRES 1154, ARGENTINA, us	2046339740 *
5581	MARRS LEISURE HOLDINGS	1865 BURROWS AVENUE, WINNIPEG MANITOBA, CANADA R3C 2L4, us	49293263801 *
5762	UMAREX GMBH & CO KG	DONNERFELD 2/POSTFACH 2720, D-5760 ARNSBERG 1, GERMANY, us	32-4-3624020 *
5886	MIDARMS, S.P.R.L.	RUE J LHOEST, 17, B-4602 CHERATTE, BELGIUM, - us	2143504483 *
6258	NAFTA TRADERS, INC	10661 SHADY TRAIL, , DALLAS, TX 75990 us	0 *
6541	OMNISPORT, SA DE CV	TODO PARA EL DEPORTE, SAN SALVADOR, EL SALVADOR, 00000 us	6926669 *
6628	HANTAUURUS OY	PERTTULANTIE 6, 00210 HELSINKI, FINLAND, us	0 *
7139	RAM DIS TICARET A S	BUYUKDERE, CADDESI NO. 101, ISTANBUL TURKEY, us	0 *
7424	WILLY ROGEBER GAS	CHR. KROGHS GT 16., 0186 OSLO NORWAY, us	0 *
7804	SKENCO INTERNATIONAL	2926 W. MADDOCK ROAD, , PHOENIX, AZ 85027 us	6025813450 *
8155	SOURCES S.A.	ALVAREZ THOMAS 1164, (1674) SAENZ PENA, BUENOS AIRES, ARGEN us	54-1-757-5505 *
8503	H M STEWART PTY LTD	P O BOX 386, MIRANDA 2228 NSW, AUSTRALIA, us	0 *
9260	G C VAN KEMPEN	JOUBERTSTRAAT 23-25, 3131 WP VLAARDINGEN, HOLLAND, / us	0 *

2
6

Cust-no	Name	Address[1],Address[2], City,St,Zip, Country	Telephone
0055	ACE HARDWARE CORPORATION	VENDOR # 29221, 2200 KENSINGTON COURT, OAK BROOK, IL 60521	630-990-6600 *
0056	ACE HARDWARE CORP	VENDOR # 29221, 2200 KENSINGTON COURT, OAK BROOK, IL 60521	630-990-6600 *
0138	AIR RIFLE SPECIALISTS	ATTN: DAVE, 130 HOLDEN RD PO BX 138, PINE CITY, NY 14871	6077347340 *
0297	Western Surplus	12251 South Hawthorne Blvd, Hawthorne, CA 90250 us	310-675-3349 *
0300	TRU*SERV	P.O. BOX 1222, BUTLER, PA 16003 us	412-284-6592 *
0310	AMERICAN OUTDOOR STORES	2040 RT 110, FARMINGDALE, NY 11735 us	516-249-1397 *
0381	ANDERSON WHLSE CO	P O BOX 69, MUSKOGEE, OK 74401 us	9186825568 *
0385	ANDERSONS-PLEASE USE NBS ACCT.	DIVISION 33, P.O. BOX 119, MAUMEE, OH 43537 us	4198935050 *
0390	ANGLERS SPORTS CENTER	1456 WHITEHALL ROAD, ANNAPOLIS, MD 21401 us	410-757-3442 *
0587	B & B SUPPLY CO	4501 MINNEHAHA AVE SO, MINNEAPOLIS, MN 55406	6127245230 *
0640	F B F	1925 N MACARTHUR BLVD, OKLAHOMA CITY, OK 73127	405-789-0651 *
0696	BARKER JENNINGS CORP	P O BOX 11289, LYNCHBURG, VA 24506 us	804-846-8471 *
0730	BASS PRO SHOPS	Vendor #003327, 2500 E KEARNEY, SPRINGFIELD, MO 65898	417-873-5000 *
0740	WL BAUMLER CO	1744 IOWA AVE, LORAIN, OH 44052 us	2162881271 *
0743	BAXTER SOUTH	12190 S W 128TH ST., MIAMI, FL 33186 us	3053782500 *
0939	BLAIN SUPPLY INC	P O BOX 391, JANESVILLE, WI 53545 us	6087542821 *
0949	BLISH MIZE COMPANY	223 S 5TH ST, ATCHISON, KS 66002 us	9133671250 *
1187	THE PENN TRAFFIC CO	GM/HBC WHSE//AP, PO BOX 4737, SYRACUSE, NY 13221	315-457-9460 *
1205	BUCKHORN SPORTING GOODS	305 S W THIRD STREET, GRAND PRAIRIE, TX 75051	2142625718 *
1284	CSI Sports,LLC	P O BOX 360, 360 INDUSTRIAL BLVD., SAUK RAPIDS, MN 56379	320-252-4193 *
1288	CABELAS INC	ATTN ACCOUNTS PAYABLE, ONE CABELA DRIVE, SIDNEY, NE 69160	3082545505 *
1325	CAMFOUR INC	65 WESTFIELD IND PARK R, WESTFIELD, MA 01085 u	4135683371 *
1432	PENN-DANIELS	505 N 24TH, QUINCY, IL 62301 us	2172242474 *
1434	CASTULO FONSECA	DBA TIENDA LA MILAGROSA, GATHIER BENITEX #24, CAGUAS pr 00760	0 *
1437	CATOCTIN CUTLERY	P O BOX 188, 17 SOUTN MAIN ST., SMITHSBURG, MD 21783	3018247416 *
1461	CENTRAL TRACTOR FARM & COUNTRY	VND NO 135 06, P O BOX 3330, DES MOINES, IA 50316	5152663101 *
1712	TRU*SERV	ATTN ACCOUNTS PAYABLE, P.O. BOX 1222, BUTLER, PA 16003	724-283-4567 *
1730	COBURNS WHOLESAL	14841 WHITTRAM, FONTANA, CA 92335 us	909-829-0718 *
1786	COMPASSECO	151 ATKINSON HILL, BARDSTOWN, KY 40004 us	5023490181 *
1863	TRU*SERV CORPORATION	PO BOX 1222, DUNS#0103653341, BUTLER, PA 16003-1222	724-284-6592 *
1864	TRU*SERV CORPORATION	PO BOX 1224, DUNS#0103653341, BUTLER, PA 16003-1224	724-284-6592 *
1876	WALTER CRAIG INC	P O BOX 557, SELMA, AL 36701 us	2058757935 *

1889	ARMY CORP.	1208 #1 GRANT STREET., LAREDO, TX 78040	us	9567257717 *
1930	D & R SPORTCENTER	P O BOX 139., NANTICOKE, PA 18634	us	7173871800 *
1954	DALES FISH N FUN	502 FRONTIER PKWY, HWY 36 E, OBERLIN, KS 67749		9134752001 *
1960	DANNYS PAWN SHOP	300 SOUTH BROADWAY., MCALLEN, TX 78501	us	2106874692 *
1962	DANOFFS SPORTING GOODS	22 GARMAN ST., WILKES BARRE, PA 18702	us	717-825-6833 *
2001	DAVIS DIST INC	P O BOX 86., SLOATSBURG, NY 10974	us	914-753-2198 *
2030	OUTDOOR SPTS HDQTRS	967 WATERTOWER LANE., DAYTON, OH 45449	us	717-785-9400 *
2114	DICKS CLOTH SPORT-KIDS	P.O. BOX 6700., Coraopolis, PA 15108	us	412-269-4400 *
2299	DUNKELBERGERS SPORTS OUTFITTER	585 MAIN ST., STROUDSBURG, PA 18360	us	717-421-7950 *
2308	DUNHAM'S ATHLEISURE	VEN # 7880, 5000 DIXIE HWY, WATERFORD, MI 48329		2486744991 *
2315	DUNNS SPORTING GOODS	P O BOX 631., PEVELY, MO 63070	us	314-475-4240 *
2387	EDGE COMPANY	ATTN: PATRICK GAFFNEY, P O BOX 826, BRATTLEBORO, VT 53020		802-257-3067 *
2414	EL PROGRESO	157 VIRGINIA AVE., SAN YSIDRO, CA 92073	us	619-428-0243 *
2428	ELETT BROTHERS	P.O. BOX 128, 267 COLUMBIA AVE., CHAPIN, SC 29036		8033453751 *
2508	EVERGREEN SUPPLY	EAST 24 NORA ST., SPOKANE, WA 99207	us	5093261543 *
2560	FARRIS BROS INC	P O BOX 17587., HATTIESBURG, MS 39404	us	601-264-8444 *
2563	FARWEST SPORTS INC	4602 20TH ST E., FIFE, WA 98424	us	253-922-2581 *
2686	1ST STOP SPORTING GOODS	PO BOX 1288., LAPORTE, CO 80535	us	3034933525 *
2716	MILLS FLEET FARM	ATTN ACCTS PAYABLE DEPT., P.O. BOX 971, BRAINERD, MN 56401		218-829-3521 *
2732	FLOYDS INC	DBA FLOYDS SPORTING GOO, 4359 MERLE HAY RD, DES MOINES, IA		5152763498 *
2751	FOLSOM	601 GULF DRIVE., CHARLOTTE, NC 28232	us	704-392-8151 *
2936	GALYANS	2437 E. MAIN ST., PLAINFIELD, IN 46168	us	317-532-0230 *
2940	GANDER MOUNTAIN INC	SPORTS ACCOUNT PAYABLE, P.O. BOX 1224, MINNEAPOLIS, MN 55440		612-830-8861 *
2950	GART BROS.	ACCOUNTS PAYABLE DEPT., P.O. BOX 148, DENVER, CO 80201		303-861-1122 *
2967	GATEWAY SEED CO	510 BITTNER STREET., ST LOUIS, MO 63147	us	314-381-8500 *
3124	STREICH-HENRY DISTRIBUTING CO.	P.O. BOX 6720., LAWTON, OK 73506-1770	us	8177664141 *
3252	GIBSON'S DISCOUNT	100 CHAFFIN INDUSTRIAL PARK., DODGE CITY, KS 67801		3162278121 *
3742	AMADO GONZALEZ	VILLA FLORES E-9, URB. LOS FRAILES, GUAYNABO, PR 00657		8097908258 *
3838	GREENS SUPPLY WHOLESALE	RT 1 BOX 216., VANDALIA, MO 63382	us	573-594-6771 *
3839	GREEN TOP SPORTING GOOD	PO BOX 1015., GLEN ALLEN, VA 23060	us	804-550-2188 *
3850	GRICE WHOLESALE	P.O. BOX 1028., CLEARFIELD, PA 16830	us	814-765-2601 *
3919	H & H SURPLUS	424 N. EUTAW STREET., BALTIMORE, MD 21201	us	410-752-2552 *
3956	HAUN'S ENTERPRISE	2633 ANTONIO., WARREN, MI 48091	us	8107556049 *
4024	DO IT BEST CORP/HWI	VN#3269-CR AUTHOR REQD, P O BOX 868 NELSON RD, FT WAYNE		2197485300 *
4193	HESLES SPORTING GOODS	246 MAIN STREET., EAGLE PASS, TX 78852-4513	us	8307733657 *
4219	BILL HICKS & COLTD	, 15155 23RD AVE N, PLYMOUTH, MN 55447	us	612-476-6200 *
4365	HOUPPERTS AUTO	7577 STATE STREET., LOWVILLE, NY 13367	us	315-376-3011 *
4636	JERRY'S SPORT CENTER	P O BOX 121., FOREST CITY, PA 18421	us	570-785-9400 *

2

4644	VILLAGE JEWELRY & SPORTS	119 E ALABAMA ST., BUTLER, AL 36904	us	2054593402 *
4650	ABN SPORTS	110 BAIRD PARKWAY, MANSFIELD, OH 44903	us	419-526-9755 *
4712	K MART CORPORATION	K MART CORP 1036-533, 3100 WEST BIG BEAVER, TROY, MI 48084		248-643-1180 *
4713	K'S MERCHANDISE	3103 N CHARLES ST., DECATUR, IL 62526	us	2178751440 *
4748	KAMES SPORTS CTR	8516 CLEVELAND AVE N., NORTH CANTON, OH 44720		3304994558 *
4797	KIELON GUN SHOP	57 KITTLBERGER PARK, WEBSTER, NY 14580	us	716-872-2256 *
4841	HENRY'S TACKLE & SPTG GOODS	P O DRAWER 1107, MOREHEAD CITY, NC 28557	us	252-726-6186 *
5053	COUNTRY GENERAL-DO NOT USE	3915 Delaware Avenue, Box 3330, Des Moines, IA 50316		515-266-3101 *
5078	LA FAVORITA	1215 ZARAGOZA, LAREDO, TX 78040	us	956-723-9621 *
5096	LA ARMERIA METROPOLITAN	799 AVE. DE DIEGO, CAPARRA TERRACE, PR 00921	u	8097826378 *
5130	LARRIVAS ACE ELECTRIC	TERRACE AT CRAWFORD STS, NOGALES, AZ 85621	us	520-287-5815 *
5182	REEDS/LEECH LAKE DIST	DBA REED'S SPORTING GOODS, BOX 490, WALKER, MN 56484		2185471505 *
5320	LONE STAR IMPORTS	2240 MORRIS ROAD, SUITE 110/117, FLOWER MOUND, TX 75280		972-724-1266 *
5402	LUNKERS	26324 U.S. 12 EAST, EDWARDSBURG, MI 49112	us	616-663-3745 *
5415	MICHIGAN SPORTING GOODS	ACCOUNTS PAYABLE, 3070 SHAFFER S E, GRAND RAPIDS, MI 49512		6169422600 *
5739	MAC-1 AIRGUN DISTRIBUTO	13974 VAN NESS AVENUE, GARDENA, CA 90249	us	310-327-3581 *
5876	MICKEYS ARMY & NAVY	239 MAIN ST, WARREN, OH 44481	us	330-392-2525 *
5881	MICRO SIGHT COMPANY	242 HARBOR BLVD, BELMONT, CA 94002	us	650-591-0769 *
5884	MID STATES/VN #195701	ATTN ACCT PAYABLE DEPT, P O BOX 64537, ST PAUL, MN 55164		651-698-8831 *
6052	MONROE HDWE CO	P O BOX 5015, MONROE, NC 28111	us	7042893121 *
6085	MOORHEAD SCHEELS	505 CENTER AVENUE, MOORHEAD, MN 56560	us	2182332751 *
6171	MOTENG INTERNATIONAL	5625 COPLEY DR., SAN DIEGO, CA 92111	us	619-715-2500 *
6175	MOUNTAIN STATES SPTG GO	P O BOX 25863, ALBUQUERQUE, NM 87125	us	5052435515 *
6201	MUDAFORT SPORTS	P O BOX 9184, SANTURCE STATION, SAN JUAN, PR 00908		8097200063 *
6216	MANUEL RAMIREZ MURCIA	7102 SANTA MARIA, LAREDO, TX 78040	us	0 *
6399	NICHOLS & DYMES	RR 4 BOX 325, MONTPELIER, VT 05602	us	802-223-1315 *
6520	OLDE VILLAGE TRADER	34 POCONO BLVD, MT POCONO, PA 18344	us	7178398030 *
6591	ORSCHELN FARM AND HOME	BOX 698, 101 WEST COATES, MOBERLY, MO 65270	us	660-263-4335 *
6646	PACIFIC FLYWAY WHOLESALE	1009 WEST 3160 SOUTH, SOUTH SALT LAKE, UT 84119	us	801-977-0202 *
6675	PAMIDA INC	VENDOR # 2351, P O BOX 3856, OMAHA, NE 68103	us	4023392400 *
6716	PARKER CASSIDY SPLY	HWY 30 67 W, 1940 LINCOLN WAY, CLINTON, IA 52732		3192420683 *
6770	PECHIN SHOPPING VILLAGE	DIV. OF PECHIN MARKETS, 1 PECHIN ROAD, DUNBAR, PA 15431		724-277-4251 *
6821	PETES DISTRIBUTING	6501 S ATLANTIC AVE, BELL, CA 90201	us	2135600560 *
6921	PLAYTOGS INC	128 DOLSON AVE, MIDDLETOWN, NY 10940	us	9143431111 *
6956	POINT SPTG GOODS CO	P O BOX 107, STEVENS POINT, WI 54481	us	7153444620 *
7077	JOE PAULK COMPANY	304 S. PITTSBURG, P.O. BOX 248, RUSSELLVILLE, AR 72810		501-968-1263 *
7110	RSR WHLSE GUNS INC	P O BOX 4300, WINTER PARK, FL 32793	us	4076771000 *
7837	SERVICE MERCHANDISE CO	ATTN ACCOUNTS PAYABLE, P O BOX 24600, NASHVILLE, TN 37202		6156607363 *

7890	SHAMBURGS SPORTING GOODS	403 FRISCO AVENUE, , CLINTON, OK 73601	us	580-323-0209 *
7896	SHAWMUT DISTRIBUTORS	P O BOX 902, , KITTERY, ME 03904	us	207-439-2700 *
7914	SHETLERS WHOLESale CO	10111S RD 450E., , GENEVA, IN 46740	us	2197261251 *
7932	SHOW TAGS INC	P O BOX 7468, , GREENSBORO, NC 27407	us	91029227564 *
8005	SKAGWAY DISC DEPT STORE	P O BOX 1647, , GRAND ISLAND, NE 68801	us	3083848220 *
8133	SOUTHERN STATES COOP IN	P O BOX 26234, ACCOUNTING DEPARTMENT, RICHMOND, VA 23260		804-281-1000 *
8139	NATIONS BEST SPORTS	4216 HAHN BLVD, , FT WORTH, TX 76117	us	8177880034 *
8152	SOUTHERN WHLSE CO	1615 S. FAYETTEVILLE ST., , ASHEBORO, NC 27203	u	910-629-3609 *
8250	SPORT SHOP 1967	PLAZA MECADO, , RIO PIEDRAS, PR 00925	us	8097644460 *
8253	THE SPORTS AUTHORITY	, P.O. BOX 407002, FT LAUDERDALE, FL 33340-7002	us	954-735-1701 *
8255	SPORTS INC	333 2ND AVE N, , LEWISTOWN, MT 59457	us	4065383496 *
8257	JUMBO SPORTS	P O Box 152900, , TAMPA, FL 33684	us	8138869688 *
8274	SPORTSMANS SUPPLY	#6 BOLTE DRIVE, ATTN: ACCTS PAYABLE 0407-110A-TN, ST. CLAIR MO		3146296100 *
8287	THE SPORTSMANS GUIDE	411 FARWELL AVENUE, , SOUTH ST. PAUL, MN 55075	u	6514513030 *
8360	N V SPRING & COMPANY	, 513 VIKING DR., VIRGINIA BEACH, VA 23452-7322	us	7574981300 *
8667	SUPERIOR SHOOTERS SUPPL	1705 WINTER ST., , SUPERIOR, WI 54880	us	7153944982 *
8764	TRADER SPORTS INC	685 E 14TH, , SAN LEANDRO, CA 94577	us	510-569-0555 *
9043	TRI CITY SPORTING GOODS	40900 GRIMMER BLVD, , FREMONT, CA 94538	us	5106519600 *
9115	U S CAVALRY INC	2855 CENTENNIAL AVE., , RADCLIFF, KY 40160	us	5023511164 *
9169	UNITED HDWE DIST CO	5005 NATHAN LANE, , MINNEAPOLIS, MN 55440	us	6125591800 *
9181	BIG 5	P O BOX 92088, WORLD WAY POSTAL CENTER, LOS ANGELES, CA 9000		3105360611 *
9224	VAL CORPORATION	P O BOX 670, , NEW CASTLE, IN 47362	us	317-529-9770 *
9236	VALLEY WHOLESale CO	P O BOX 669, , BURLEY, ID 83318	us	2086788365 *
9254	VALOR CORPORATION OF FL	P O BOX 10116, , HALEAH, FL 33010	us	30566330127 *
9271	VARIETY DISTRIBUTORS	7TH & SPRING ST., , HARLAN, IA 51537	us	7127552184 *
9380	WAL MART STORES INC	VENDOR 124016, HOME OFC/VENDOR COMMUNICATIONS, BENTONVILLE		
9459	ACUSPORT CORP	ONE HUNTER PLACE, , BELLEFONTAINE, OH 43311	us	937-593-7010 *
9503	WATTERS & MARTIN, INC.	3800 VILLAGE AVE., , NORFOLK, VA 23502	us	8048570651 *
9581	WEST TEXAS WHSLE SUPPLY	P O BOX 1020, , ABILENE, TX 79604	us	9156772851 *
9649	WHEATBELT, INC.-WB	VENDOR #700200, P O BOX 20287, KANSAS CITY, MO 64195		8168918850 *
9690	MEIJER INC	P O BOX X, , GRAND RAPIDS, MI 49501	us	616-791-3933 *
9799	WISEMANS	RT 22 BOX 26, , JOHNSON CITY, TN 37601	us	423-926-0691 *
9882	WORLD WIDE INC.	AP VENDOR #000025, P O BOX 1224, MINNEAPOLIS, MN 55440		6128308700 *
9885	WORLD WIDE DIST INC	P O BOX 88607, , SEATTLE, WA 98138-0607	us	2068728746 *

65

US CPSC

FACSIMILE TRANSMITTAL SHEET

TO	RON REICHEL	FROM	J. DEMARCO
COMPANY	ESEL	DATE	05/10/99
FAX NUMBER	301-413-7107	TOTAL NO. OF PAGES INCLUDING COVER	10
PHONE NUMBER	301-504-0608 X1353	SENDER'S REFERENCE NUMBER	
RE:	ASTM NONPWDRAIRGUNSTD	YOUR REFERENCE NUMBER	

URGENT FOR REVIEW PLEASE COMMENT PLEASE REPLY PLEASE RECYCLE

NOTES/COMMENTS:

Ron, attached are comments on the proposed new std for 6/3/99 vote. Please look at comments - esp. those I've outlined or highlighted.. THANKS.

URGENT!!!!

[CLICK HERE AND TYPE RETURN ADDRESS]

100

US CPSC

FACSIMILE TRANSMITTAL SHEET

TO: RON REICHEL	FROM: J. DEMARCO
COMPANY: ESEL	DATE 05/10/99
FAX NUMBER: 301-413-7107	TOTAL NO. OF PAGES INCLUDING COVER. 10
PHONE NUMBER: 301-504-0608 X1353	SENDER'S REFERENCE NUMBER
RE: ASTM NONPWDRAIRGUNSTD	YOUR REFERENCE NUMBER:

URGENT FOR REVIEW PLEASE COMMENT PLEASE REPLY PLEASE RECYCLE

NOTES/COMMENTS:

Ron, attached are comments on the proposed new std for 6/3/99 vote. Please look at comments - esp. those I've outlined or highlighted.. THANKS.

URGENT!!!!!!

[CLICK HERE AND TYPE RETURN ADDRESS]

101



100 Barr Harbor Drive ■ West Conshohocken, PA 19428-2959
Telephone: 610-832-9500 ■ Fax 610-832-9555 ■ e-mail. service@astm.org ■ Website: www.astm.org

Committee F15 on CONSUMER PRODUCTS

- Chairman* JOHN A. BLAIR, Du Pont Co, Chestnut Run Plaza, PO Box 80713, Wilmington, DE 19880-0713, (302) 999-3293, FAX: 302-999-2011
- First Vice Chairman:* ANNE GRAHAM, 9 Cornwall, Rehoboth Beach, DE 19971, (302) 227-7877, FAX: 302-227-7877
- Second Vice Chairman:* MARYELLEN R. FISE, Consumer Federation of America, 1203 Captains Ct, Towson, MD 21286, (410) 296-4290, FAX: 410-296-4291, EMail: merf@home.com
- Third Vice Chairman:* ELAINE H. BESSON, EHB Consulting Ltd, 4512 32nd Rd N, Arlington, VA 22207, (703) 533-8408, FAX: 703-536-3749, EMail: e.h.besson@worldnet.att
- Recording Secretary* SUSAN R. HOWE, Society of the Plastics Ind, Suite 600K, 1801 K Street NW, Washington, DC 20006, (202) 974-5223, FAX: 202-296-7005, EMail: showe@socplas.org
- Membership Secretary:* KEITH A. MOWRY, Underwriters Laboratories Inc, 333 Pfingsten Rd, Northbrook, IL 60062, (847) 272-8800, Ext: 4389, FAX: 847-509-6219, EMail: mowryk@ul.com
- Staff Manager (Juvenile Products):* KATHARINE E. MORGAN, (610) 832-9721, EMail: kmorgan@astm.org
- Staff Manager (Non-Juvenile Products)* ROBYN ZELNO, (610) 832-9717, EMail: rzelno@astm.org

MEETING NOTICE

April 30, 1999

TO: Members of Subcommittee F15.06 on Non-Powder Gun Products

FROM: Kathie Morgan *Kathie*

RE: **June 3, 1999 Meeting**

The next meeting of Subcommittee F15.06 is scheduled for **Thursday, June 3rd from 10:00am - 4:00pm** at ASTM Headquarters in West Conshohocken, PA. In preparation for this meeting, enclosed are the following:

- A meeting agenda with attachments
- Driving directions to ASTM Headquarters
- Area hotels should it be necessary to secure overnight accommodations - please mention that you are attending an ASTM meeting to receive the ASTM rate
- A pre-registration form for the meeting

If you have any questions regarding the June meeting, please feel free to contact me at 610-832-9721. Thank you.

102