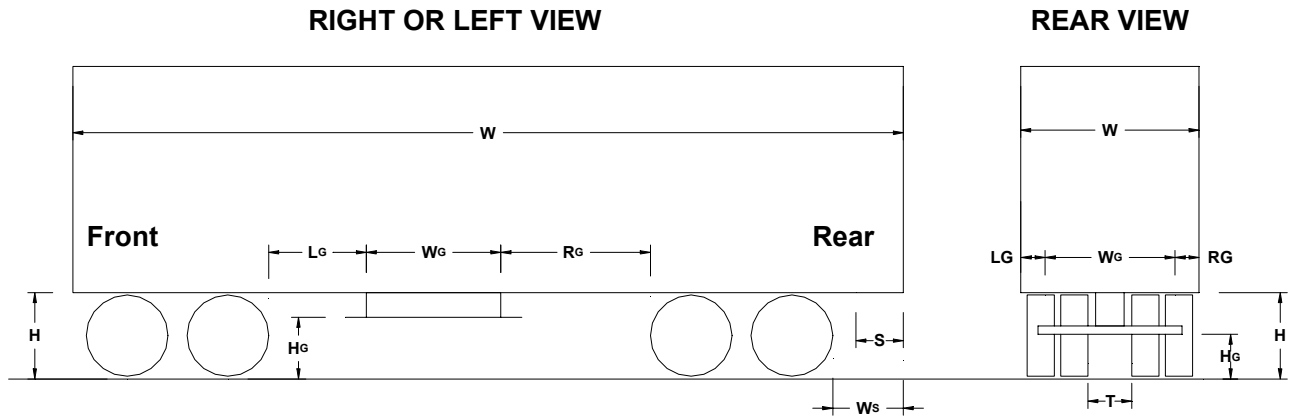


NOTE: COMPLETE THIS PAGE FOR REAR AND SIDE IMPACTS ONLY.



H Truck height above ground \_\_\_\_\_

H<sub>g</sub> Guard Height above ground \_\_\_\_\_

W Truck width \_\_\_\_\_

W<sub>g</sub> Guard width \_\_\_\_\_

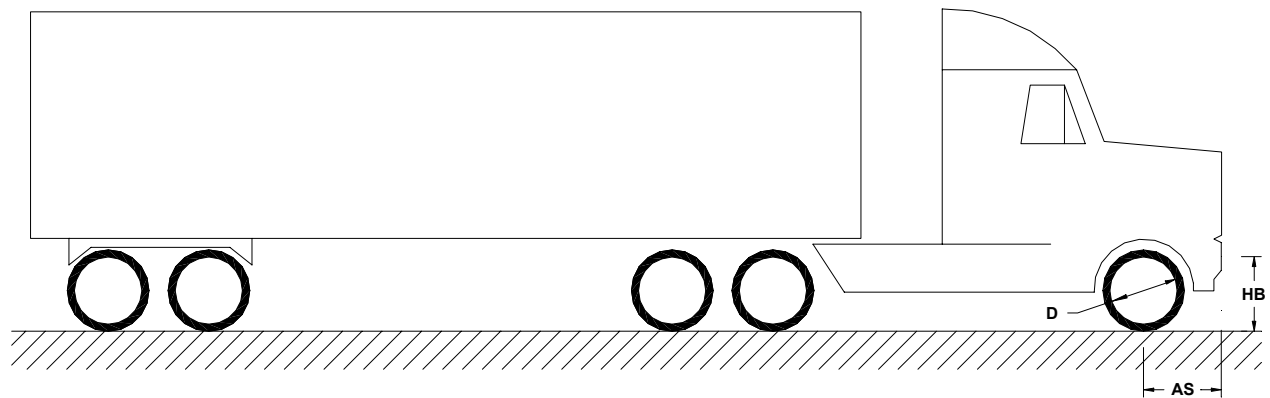
W<sub>s</sub> Wheel setback distance \_\_\_\_\_

L<sub>g</sub> Distance from left side of guard to truck wheel \_\_\_\_\_

T Distance between truck tires \_\_\_\_\_

R<sub>g</sub> Distance from right side of guard to truck wheel \_\_\_\_\_

S Guard setback distance \_\_\_\_\_



H<sub>b</sub> Truck bumper height above ground \_\_\_\_\_

A<sub>s</sub> Front axle setback \_\_\_\_\_

D Front tire diameter \_\_\_\_\_