



EXTERIOR TRUCK FORM

1. Primary Sampling Unit Number _____

2. Year _____

3. Case Number - Stratum _____

4. Vehicle Number _____

12. Vehicle Configuration

1	2	3	4	5	6	7	8	9	10
---	---	---	---	---	---	---	---	---	----

VEHICLE IDENTIFICATION

5. Power Unit Type _____
 (1) Straight Truck
 (2) Tractor
 (8) Other (specify): _____
 (9) Unknown

6. Power Unit Vehicle Identification Number (VIN)

 1 2 3 4 5 6 7 8 9 10 11 12 13 14 15 16 17
 Left justify; Slash zeros and letter Z (0 and Z)
 No VIN — Code all zeros

7. Cab Style _____
 (1) Conventional
 (2) Cab-over-engine
 (3) Cab forward
 (8) Other (specify): _____
 (9) Unknown

8. Sleeper Berth _____
 (1) Yes
 (2) No
 (9) Unknown

9. Dromedary Box _____
 (1) Yes
 (2) No
 (3) Unknown

10. ITS Equipment Installed _____
 (Code up to three units.)
 (1) Headway detection unit
 (2) Side/object detection unit
 (3) Rollover warning unit
 (7) Not applicable
 (8) Other (specify): _____
 (9) Unknown

11. Engine Control/Data Recorder Installed _____
 (1) Yes (specify type): _____

 (2) No
 (9) Unknown
 If installed, record the following data:
 Engine RPM _____
 (9997) Not applicable
 (9999) Unknown
 Vehicle Speed _____ KPH
 _____ mph x = 1.6093 _____ KPH
 (9997) Not applicable
 (9999) Unknown
 Gear Position (specify): _____

Left justify
 (-) No additional units
 (R) Straight truck
 (T) Tractor
 (S) Semi-trailer
 (F) Full trailer
 (G) Gooseneck hitch
 (O) Other trailer (specify): _____
 (U) Unknown trailer type
 (A) A dolly
 (B) B train
 (C) C dolly
 (X) Unknown dolly
 (J) Jeep
 (P) Bus
 (I) Implement of husbandry

13. Total Number Of Trailers _____
 _____ Code actual value
 (0) None (includes bobtail tractor)
 (7) Not applicable (includes straight truck)
 (9) Unknown

Number Of Axles In Use

14. Power Unit _____

15. First Trailer _____

16. Second Trailer _____

17. Third Trailer _____
 _____ Code number of axles
 (97) Not applicable (includes no trailer)
 (99) Unknown

Number Of Lift Axles (Not in Use)

18. Power Unit _____

19. First Trailer _____

20. Second Trailer _____

21. Third Trailer _____
 _____ Code number of axles
 (97) Not applicable (includes no trailer)
 (99) Unknown

Number Of Steer Axles (includes self-aligning steer axles)

22. Power Unit _____

23. First Trailer _____

24. Second Trailer _____

25. Third Trailer _____
 _____ Code number of steer axles
 (97) Not applicable (includes no trailer)
 (99) Unknown

Trailer Type

26. First Trailer _____

27. Second Trailer _____

28. Third Trailer _____
 (1) Semi
 (2) Full
 (7) Not applicable (includes no trailer)
 (8) Other (specify): _____
 (9) Unknown

VEHICLE IDENTIFICATION**Trailer Make**

29. First Trailer _____
 30. Second Trailer _____
 31. Third Trailer _____
 _____ Record specific make
 (97) Not applicable (includes no trailer)
 (99) Unknown

Trailer Model Year

32. First Trailer _____
 33. Second Trailer _____
 34. Third Trailer _____
 Code all four digits of the model year
 (9999) Unknown

Trailer VIN

35. First Trailer VIN

 1 2 3 4 5 6 7 8 9 10 11 12 13 14 15 16 17

36. Second Trailer VIN

 1 2 3 4 5 6 7 8 9 10 11 12 13 14 15 16 17

37. Third Trailer VIN

 1 2 3 4 5 6 7 8 9 10 11 12 13 14 15 16 17

Left justify : slash zeros and letter z (0 and z)

No trailer – code all zeros

No VIN tag – code all nines

Trailer Date of Manufacture

38. First Trailer _____
 39. Second Trailer _____
 40. Third Trailer _____
 Code month/yr.
 No trailer – code all zeros
 Unknown – code all nines

Body Style

41. Power Unit _____
 42. First Trailer _____
 43. Second Trailer _____
 44. Third Trailer _____
 (01) Van
 (02) Open top van
 (03) Refrigerated van
 (04) Livestock carrier
 (05) Flatbed
 (06) Low boy
 (07) Flatbed with equipment
 (08) Flatbed with sides
 (09) Pole/logging
 (10) Tank-liquid
 (11) Tank-compressed gas
 (12) Tank-dry bulk
 (13) Auto carrier
 (14) Dump
 (15) Bottom dump/hopper bottom
 (16) Garbage/refuse
 (17) Cement Mixer
 (18) Other (specify): _____
 (97) Not applicable (includes tractor power unit)
 (99) Unknown

Gross Vehicle Weight Rating (GVWR)

45. Power Unit _____, _____ 0
 46. First Trailer _____, _____ 0
 47. Second Trailer _____, _____ 0
 48. Third Trailer _____, _____ 0
 _____ Code GVWR to nearest 10 kilograms
 (0000) Less than 5 kilograms
 (9997) Not applicable
 (9999) Unknown

Power Unit

_____, _____ lbsx.4536= _____, _____ kgs

First Trailer

_____, _____ lbsx.4536= _____, _____ kgs

Second Trailer

_____, _____ lbsx.4536= _____, _____ kgs

Third Trailer

_____, _____ lbsx.4536= _____, _____ kgs

Empty Weight

49. Power Unit _____, _____ 0
 50. First Trailer _____, _____ 0
 51. Second Trailer _____, _____ 0
 52. Third Trailer _____, _____ 0
 53. Total empty weight _____, _____ 0
 _____ Code empty weight to nearest 10 kilograms
 (0000) Less than 5 kilograms
 (9997) Not applicable
 (9999) Unknown

Power Unit

_____, _____ lbs x .4536 = _____, _____ kgs

First Trailer

_____, _____ lbs x .4536 = _____, _____ kgs

Second Trailer

_____, _____ lbs x .4536 = _____, _____ kgs

Third Trailer

_____, _____ lbs x .4536 = _____, _____ kgs

Total

_____, _____ lbs x .4536 = _____, _____ kgs

Vehicle Length

54. Power Unit _____ . _____ m
 55. First Trailer _____ . _____ m
 56. Second Trailer _____ . _____ m
 57. Third Trailer _____ . _____ m
 58. Total Length _____ . _____ m
 Code length to the nearest tenth of a meter.
 (000) Less than 0.1 meters
 (997) Not applicable
 (999) Unknown

Power Unit

_____, _____ ft. x .3048 = _____ . _____ m

First Trailer

_____, _____ ft. x .3048 = _____ . _____ m

Second Trailer

_____, _____ ft. x .3048 = _____ . _____ m

VEHICLE IDENTIFICATION

Third Trailer _____
 _____, _____ ft. x .3048 = _____ . _____ m

Total Length _____
 _____, _____ ft. x .3048 = _____ . _____ m

CARGO INFORMATION

Cargo Type

59. Power Unit _____

60. First Trailer _____

61. Second Trailer _____

62. Third Trailer _____

(00) Empty _____

(01) General freight _____

(02) Household goods _____

(03) Building materials (specify): _____

(04) Metal (coils, sheets) _____

(05) Heavy machinery _____

(06) Large objects (specify): _____

(07) Motor vehicles _____

(08) Piggyback/tow-away _____

(09) Gases in bulk _____

(10) Solids in bulk _____

(11) Liquids in bulk _____

(12) Explosives _____

(13) Logs, poles, lumber _____

(14) Refrigerated foods _____

(15) Mobile home _____

(16) Farm products _____

(17) Live animals _____

(18) Other (specify): _____

(75) Tractor power unit with container cargo _____

(76) Tractor power unit with other bulk cargo (specify): _____

(97) Not applicable _____

(99) Unknown _____

Cargo Weight

63. Power Unit _____, _____ 0

64. First Trailer _____, _____ 0

65. Second Trailer _____, _____ 0

66. Third Trailer _____, _____ 0

67. Total Cargo Weight _____, _____ 0

_____ Code cargo weight to nearest 10 kilograms
 (0000) Less than 5 kilograms
 (9997) Not applicable
 (9999) Unknown

Power Unit
 _____ lbsx.4536= _____, _____ kgs

First Trailer
 _____ lbsx.4536= _____, _____ kgs

Second Trailer
 _____ lbsx.4536= _____, _____ kgs

Third Trailer
 _____ lbsx.4536= _____, _____ kgs

Percent Of Cargo Capacity

68. Power Unit _____

69. First Trailer _____

70. Second Trailer _____

71. Third Trailer _____
 _____ For solids, code percent of space occupied
 (00) Empty
 (96) 96+ Percent
 (97) Not applicable (includes tractor power unit)
 (99) Unknown

_____ For liquid loads code percent of tank volume occupied.
 Also, report following data:

Tank capacity:

First trailer _____ l

Second trailer _____ l

Third trailer _____ l

Tank Load:

First trailer _____ l

Second trailer _____ l

Third trailer _____ l

Capacity

First trailer _____ gal x 3.785 = _____ l

Second trailer _____ gal x 3.785 = _____ l

Third trailer _____ gal x 3.785 = _____ l

Load

First trailer _____ gal x 3.785 = _____ l

Second trailer _____ gal x 3.785 = _____ l

Third trailer _____ gal x 3.785 = _____ l

Hazardous Cargo

72. Power Unit _____

73. First Trailer _____

74. Second Trailer _____

75. Third Trailer _____

(1) Yes _____

(2) No _____

(7) Not applicable (includes tractor power unit) _____

(9) Unknown _____

Cargo Spillage

76. Power Unit _____

77. First Trailer _____

78. Second Trailer _____

79. Third Trailer _____

(0) No spillage _____

(1) Non-hazardous spillage _____

(2) Hazardous spillage _____

(7) Not applicable (includes tractor power unit) _____

(9) Unknown _____

TRUCK CONSPICUITY

Retroflective Tape Used

80. Power Unit Cargo Body _____
81. First Trailer _____
82. Second Trailer _____
83. Third Trailer _____
- (0) No (leave related variables blank)
- (1) Yes
- (7) Not applicable (includes tractor power unit)
- (9) Unknown

Tape Pattern

84. Power Unit Cargo Body _____
85. First Trailer _____
86. Second Trailer _____
87. Third Trailer _____
- (1) Side/rear per FMVSS 108 or similar
- (7) Not applicable (includes tractor power unit)
- (8) Other pattern (specify): _____
- _____
- _____
- (9) Unknown

Tape Color

88. Power Unit Cargo Body _____
89. First Trailer _____
90. Second Trailer _____
91. Third Trailer _____
- (1) Red/white per FMVSS 108
- (7) Not applicable (includes tractor power unit)
- (8) Other pattern (specify): _____
- _____
- _____
- (9) Unknown

Tape Condition On Rear

92. Power Unit Cargo Body _____
93. First Trailer _____
94. Second Trailer _____
95. Third Trailer _____
- (1) Clean
- (2) Some dirt
- (3) Very dirty
- (7) Not applicable (includes tractor power unit)
- (9) Unknown

Tape Peeling/Damaged On Rear Underride Guard

96. Power Unit Cargo Body _____
97. First Trailer _____
98. Second Trailer _____
99. Third Trailer _____
- (00) No
- _____ Yes, indicate % missing/damaged
- (76) 76+ Percent
- (97) Not applicable (includes tractor power unit)
- (99) Unknown

Tape Peeling/Damaged On Other Rear Area

100. Power Unit Cargo Body _____
101. First Trailer _____
102. Second Trailer _____
103. Third Trailer _____
- (00) No
- _____ Yes, indicate % missing/damaged
- (76) 76+ Percent
- (97) Not applicable (includes tractor power unit)
- (99) Unknown

Tape Condition On Sides

104. Power Unit Cargo Body _____
105. First Trailer _____
106. Second Trailer _____
107. Third Trailer _____
- (1) Clean
- (2) Some dirt
- (3) Very dirty
- (7) Not applicable (includes tractor power unit)
- (9) Unknown

Tape Peeling/Damaged On Sides

108. Power Unit Cargo Body _____
109. First Trailer _____
110. Second Trailer _____
111. Third Trailer _____
- (00) No
- _____ Yes, indicate % missing/damaged
- (76) 76+ Percent
- (97) Not applicable (includes tractor power unit)
- (99) Unknown

EXTERIOR MIRROR DATA

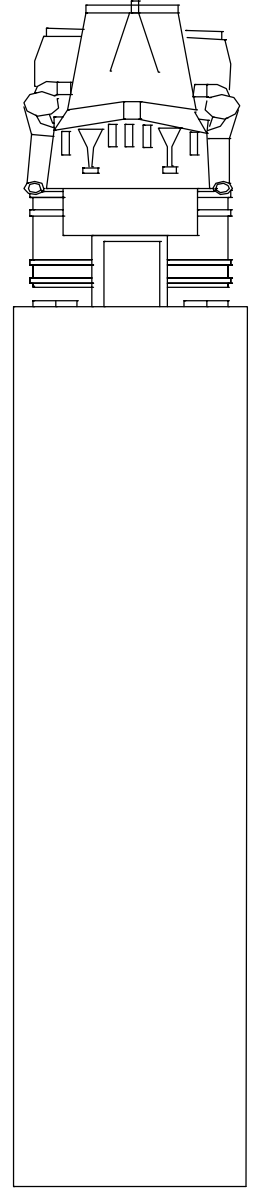
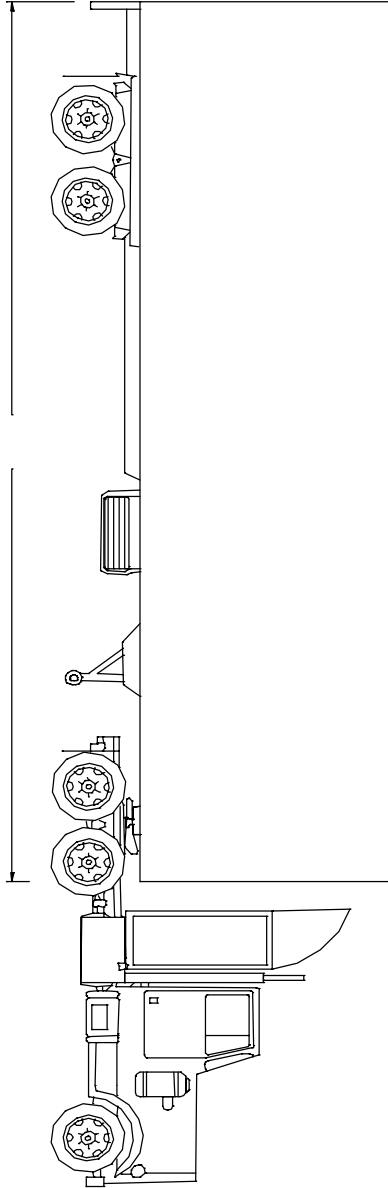
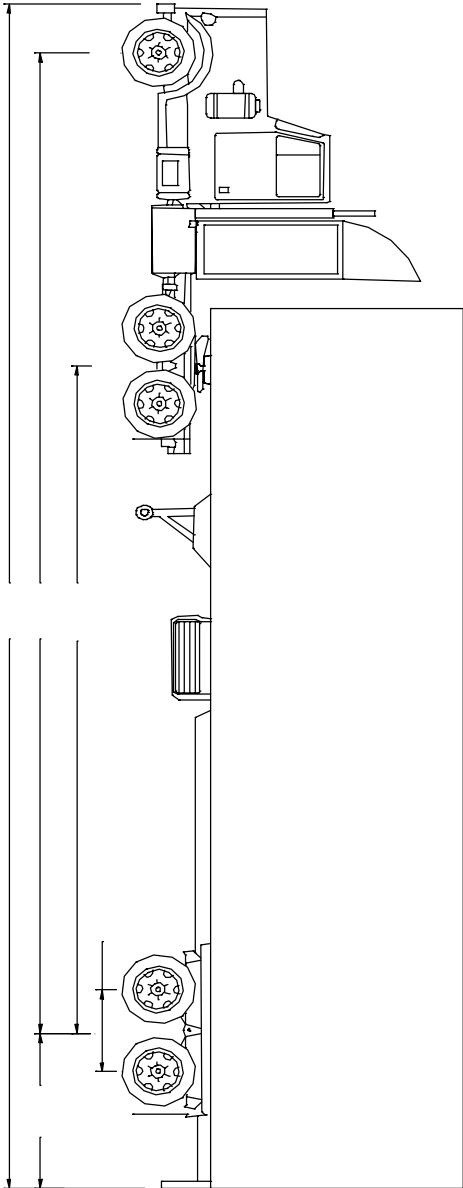
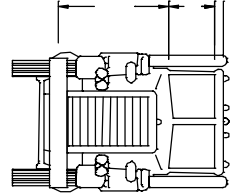
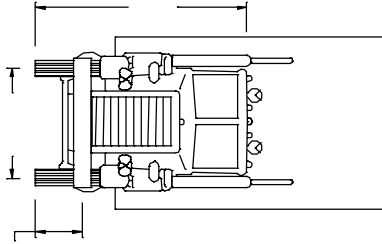
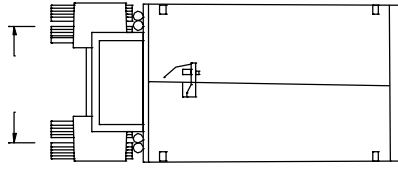
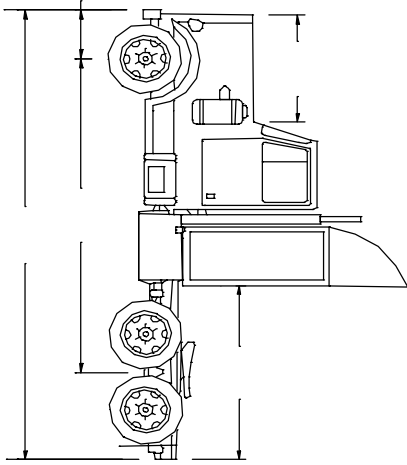
112. Power Unit Equipped With Exterior Side View Mirrors? _____
- (1) Yes
- (2) No
- (9) Unknown

113. Exterior Mirror Locations Left _____
- (Code all that apply.) Right _____
- (1) Mounted on door
- (2) Mounted on front fenders
- (7) Not applicable
- (8) Other location (specify): _____
- _____
- (9) Unknown

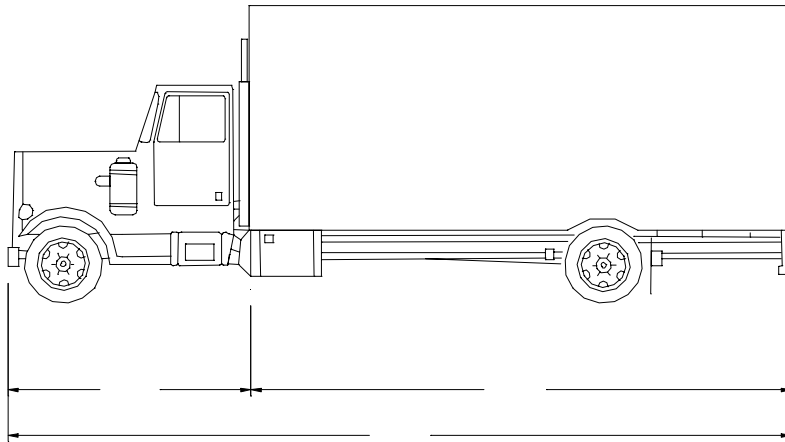
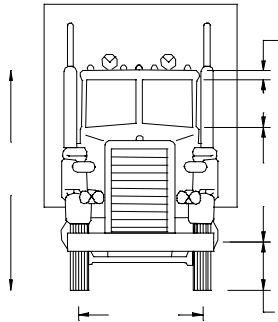
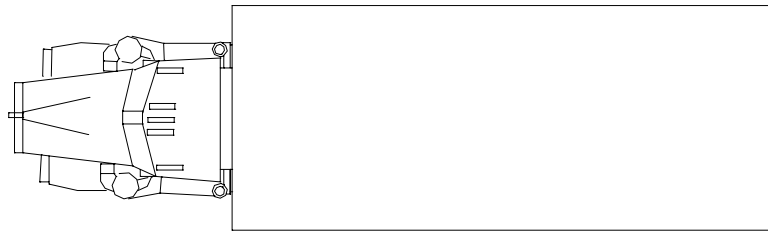
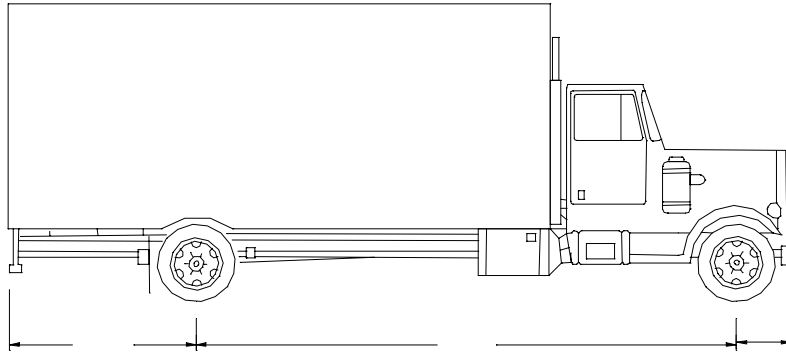
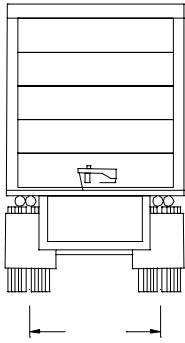
114. Were Field of View Restrictions/Blind Spots Related to Crash Causation For This Vehicle? _____

- (1) Yes (specify): _____
- _____
- (2) No
- (9) Unknown

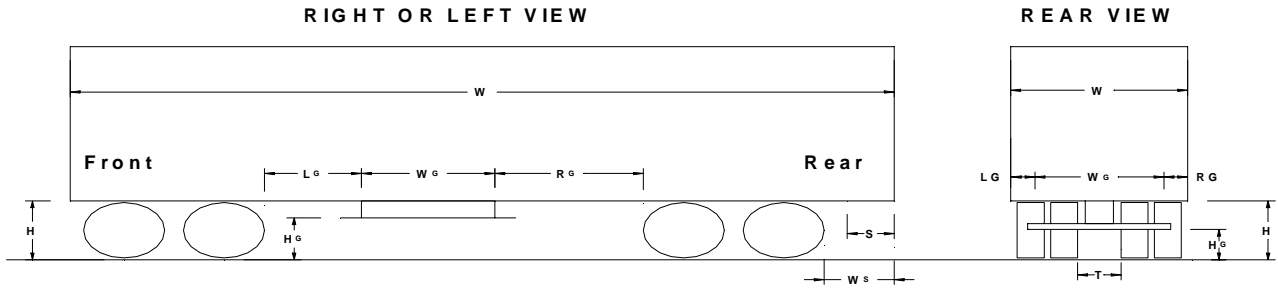
VEHICLE DAMAGE SKETCH



VEHICLE DAMAGE SKETCH

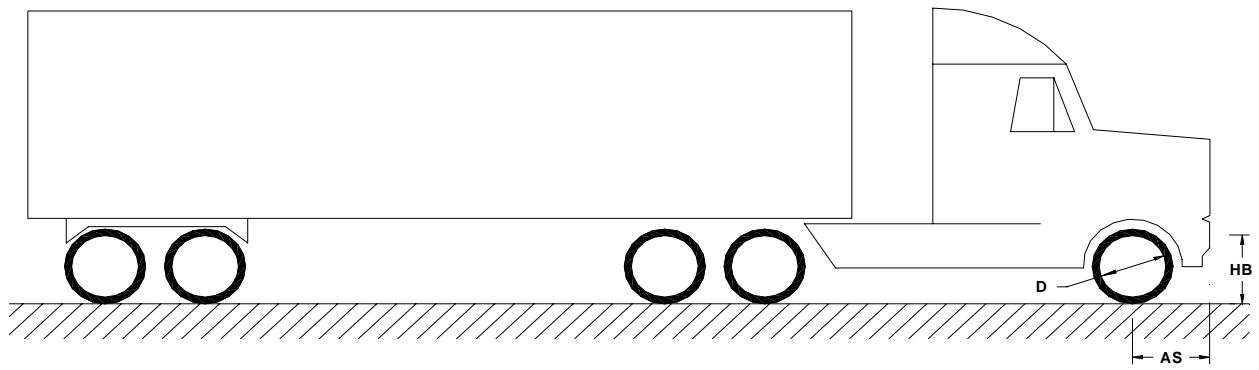


NOTE: COMPLETE THIS PAGE FOR REAR AND SIDE IMPACTS ONLY.



H Truck height above ground _____
 W Truck width _____
 W^g Wheel setback distance _____
 T Distance between truck tires _____
 S Guard setback distance _____

H^g Guard Height above ground _____
 W^g Guard width _____
 L^g Distance from left side of guard to truck wheel _____
 R^g Distance from right side of guard to truck wheel _____



H_b Truck bumper height above ground _____
 D Front tire diameter _____

A_s Front axle setback _____

DISPOSITION CODES

- (1) Repaired at Scene
- (2) Towed/Escorted
- (3) Other (Specify): _____
- (8) Not applicable
- (9) Unknown

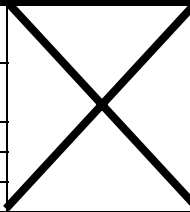
BRAKE INSPECTION								SYSTEM TYPE: (1) Air (3) Electric (2) Hydraulic (9) Unknown				
Axle Position	System Type	ABS Installed		ABS Functional		Adjuster Type		Chamber Size	Stroke Type		Stroke Length	
		Y	N	Y	N	Man	Auto		Long	Short	Left	Right
1												
2												
3												
4												
5												
6												
7												
8												
9												
10												
11												
12												

ADJUSTMENT CODES		Brake Inspection Notes:
<p>Chamber Size</p> <p>(00.00) N Not Examined</p> <p>(13.34 - 20.56) Range of Applicable Outside Diameters in cm.</p> <p>(97.97) Not applicable</p> <p>(99.99) Unknown</p> <p>Stroke Type</p> <p>(0) Not Examined</p> <p>(√) Use Checkmark to Indicate Stroke Type</p> <p>(7) Not applicable</p> <p>(9) Unknown</p> <p>Stroke Length</p> <p>(0.00) Not Examined</p> <p>(3.49 - 7.62) Range of Applicable Stroke Lengths in cm.</p> <p>(7.77) Not applicable</p> <p>(9.99) Unknown</p>		

HAZARDOUS MATERIALS

Inspection Item	Examined		Out-of Service		Disposition
	Y	N	Y	N	
Ship paper/manifest (HA)					
HM license (HB)					
HW registration (HC)					
Placards(HD)					
Packaging (HE)					
Markings (HF)					
Labels (HG)					
Loading/securement HH)					
Cargo/portable tanks (HI)					
Safety equipment (HJ)					
Not applicable					
(Inspection not required)					

CODES	Reportable Quantity?		Waiver?	
	Y	N	Y	N



HAZARDOUS MATERIALS TYPE

- (A) 1.1 (Explosives)
- (B) 1.2 (Explosives)
- (C) 1.3 (Explosives)
- (D) 1.4 (Explosives)
- (E) 1.5 (Explosives)
- (F) 1.6 (Explosives)
- (G) 2.1 (Flammable Gas)
- (H) 2.2 (Non-Flammable Gas)
- (I) 2.3 (Poison Gas)
- (J) 3 (Flammable Liquid)
- (K) 4.1 (Flammable Solid)
- (L) 4.2 (Spontaneous Combustion)
- (M) 4.3 (Dangerous Wet)
- (N) 5.1 (Oxidizer)
- (O) 5.2 (Org. Perox.)
- (P) 6.1 (Poi. PG I & II)
- (Q) 6.1 (Poi. PG III)
- (R) 6.2 (Infectious Substance)
- (S) 7 (Radioactive)
- (T) 8 (Corrosive)
- (U) 9 (Miscellaneous)
- (V) (Combustible Liquid)
- (W) (ORM-D)
- (X) (Other)
- (Z) (Not applicable)