

½ in. (13 mm) Kaowool M board  
16 gauge (1/16 in. 1.6mm) aluminum sheet metal  
1/8 in. (3.2 mm) angle iron

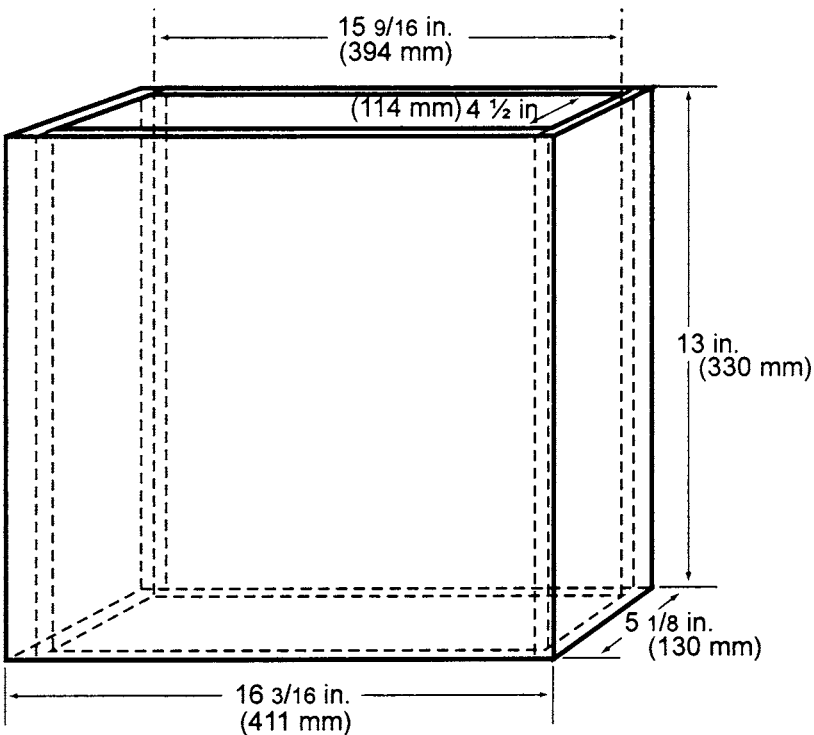


Figure 2 - Internal Chimney