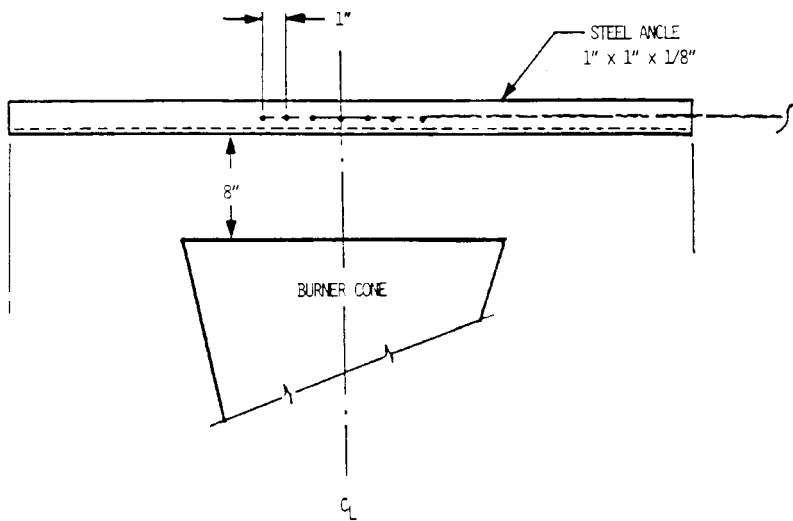


TOP VIEW

NOTE: BRACKET IS CLAMPED TO TEST STAND WITH THERMOCOUPLES OFF CENTER OF BURNER CONE BY ONE INCH.



SIDE VIEW

FIGURE 3. THERMOCOUPLE RAKE BRACKET