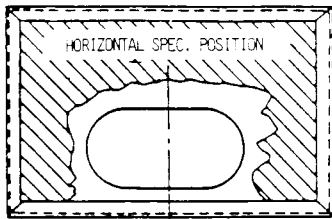
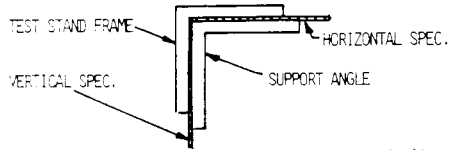


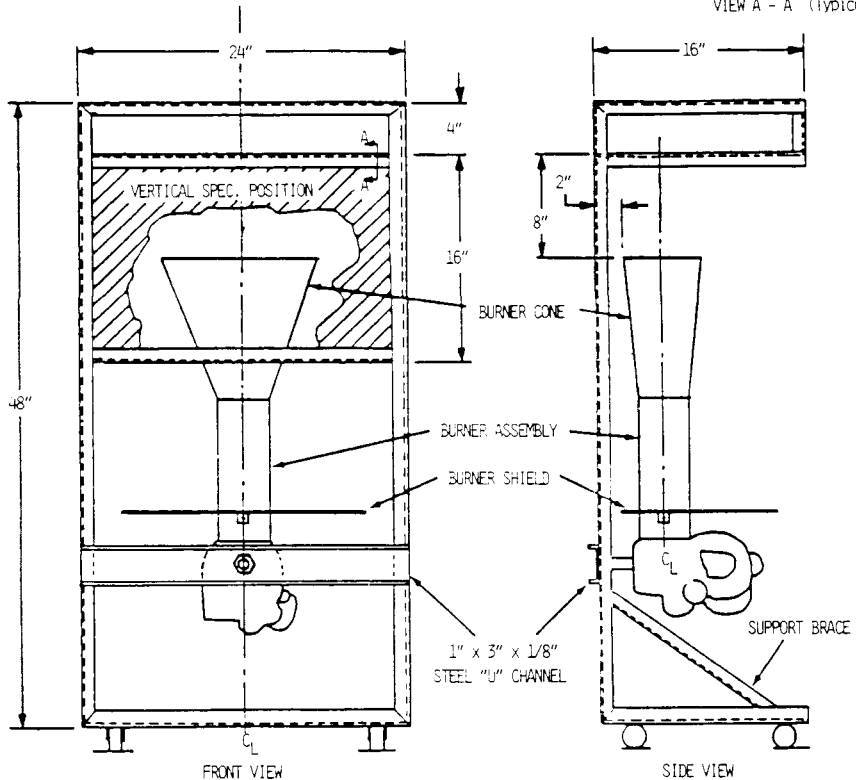
HORIZONTAL AND VERTICAL SPECIMENS ARE CLAMPED IN PLACE ON ALL EDGES BETWEEN ANGLES AS SHOWN IN VIEW A - A



TOP VIEW



VIEW A - A (Typical)



TEST STAND IS CONSTRUCTED WITH 1" x 1" x 1/8" STEEL ANGLES, ALL JOINTS WELDED
SUPPORT ANGLES ARE 1" x 1" x 1/8" CUT TO FIT

FIGURE 1. TEST APPARATUS FOR HORIZONTAL AND VERTICAL MOUNTING