

Non-Illuminated Exterior Signs

EN-02.01

Non-Illuminated Exterior Sign

Primary Directional Monument

Size

Sign Face:
1829 mm H x 1829 mm W
(6' 0" H x 6' 0" W)

Description

Large, non-illuminated 10 strip directional monument sign with messages directed specifically to drivers. Monument type directional signs should only be used on the main entrance drive and in front of the medical center.

Message Configuration

(Refer to message layout drawing for dimensions)

Layout A is for the first line of text with an arrow of direction.

Layout B is for message with no arrow which is located immediately under a copy bar with an arrow.

Layout C is for indented text. This is for situations where the message has to run over onto a second copy strip.

Graphic Process

Surface applied reflective vinyl.

Colors

Text: White T2
Background: Refer to Color Chart

Recommendations

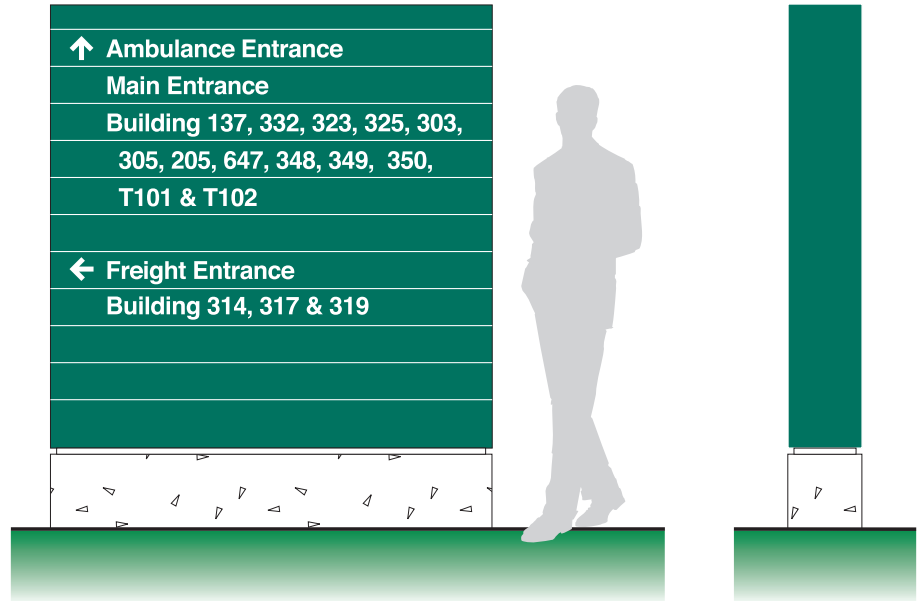
Position sign so drivers have a clear, unobstructed view of the sign.

Directional information for services ahead should always be at the top of the sign.

Always leave a blank copy strip between groups of directional information. This will aid in the ability of the driver to read grouped directional information more quickly.

Always leave a blank strip at the top of the sign. This strip is smaller than the text strips.

Configure a sign with at least one blank copy strip at the bottom of the sign. This will aid in the ability of the driver to read the sign.



Message Layout A



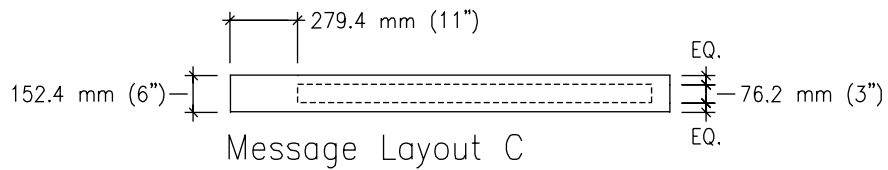
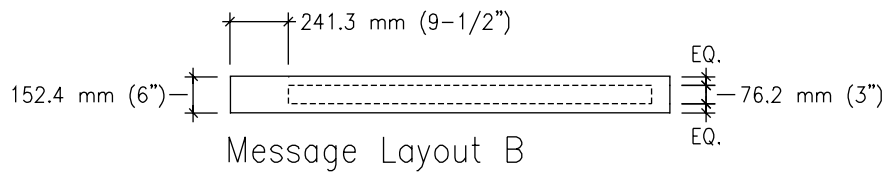
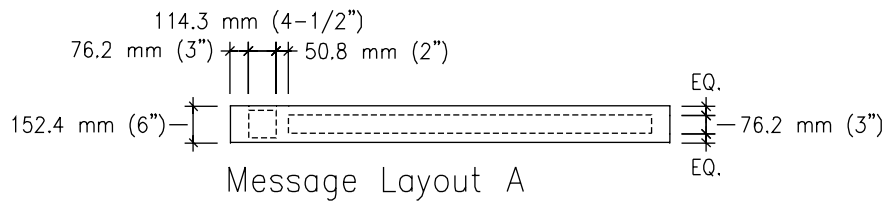
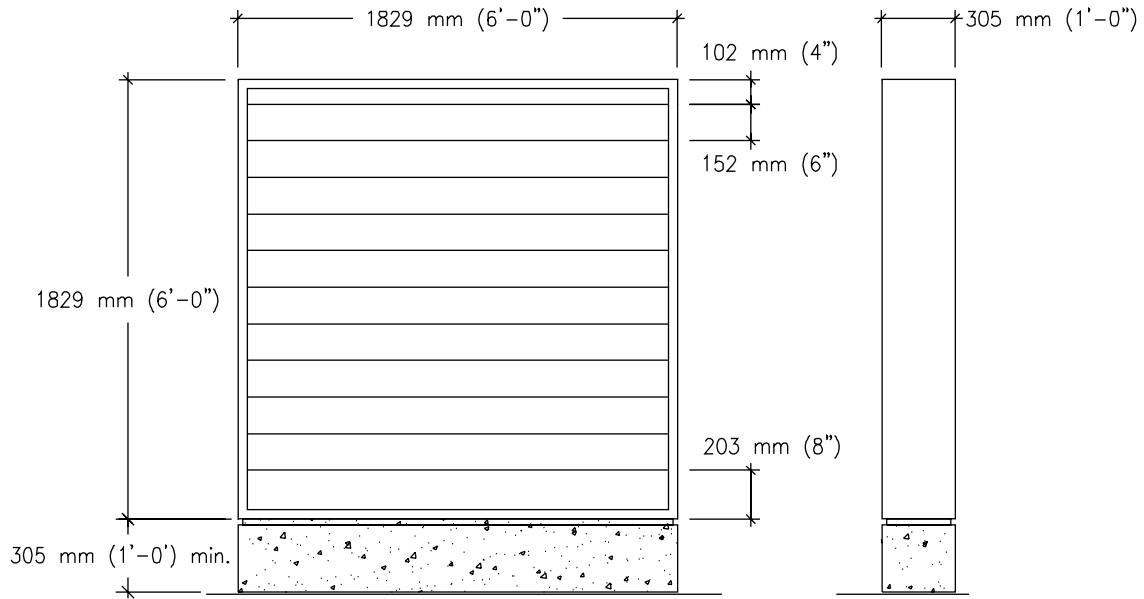
Message Layout B



Message Layout C



This layout shows an indentation for a second line of copy



EN-02.02

Non-Illuminated Exterior Sign

Secondary Directional Monument

Size

Sign Face:
1829 mm H x 1219 mm W
(6' 0" H x 4' 0" W)

Description

Small, non-illuminated 10 strip directional monument sign with messages directed specifically to drivers. Monument type directional signs should only be used on the main entrance drive and in front of the medical center.

Message Configuration

(Refer to message layout drawing for dimensions)

Layout A is for the first line of text with an arrow of direction.

Layout B is for message with no arrow which is located immediately under a copy bar with an arrow.

Layout C is for indented text. This is for situations where the message has to run over onto a second copy bar.

Graphic Process

Surface applied reflective vinyl.

Colors

Text: White T2
Background: Refer to Color Chart

Recommendations

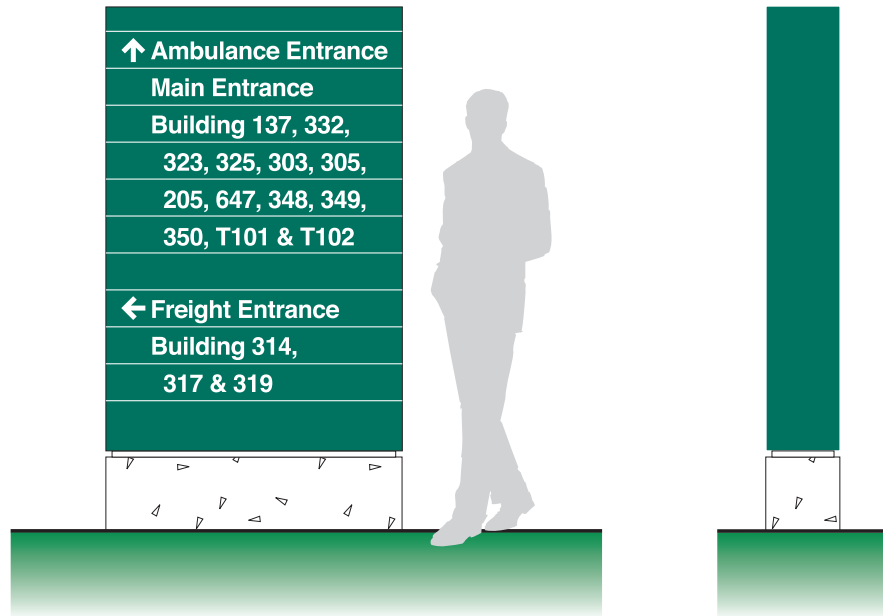
Position sign so drivers have a clear, unobstructed view of the sign.

Directional information for services ahead should always be at the top of the sign.

Always leave a blank copy strip between groups of directional information. This will aid in the ability of the driver to read grouped directional information more quickly.

Always leave a blank strip at the top of the sign. This strip is smaller than the text strips.

Configure a sign with at least one blank copy strip at the bottom of the sign. This will aid in the ability of the driver to read the sign.



Message Layout A

↑ Ambulance Entrance

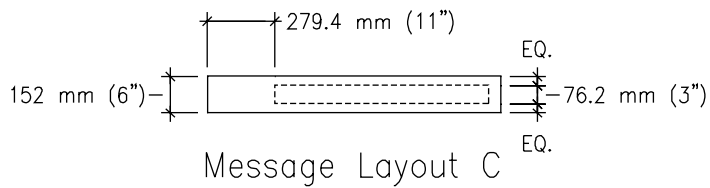
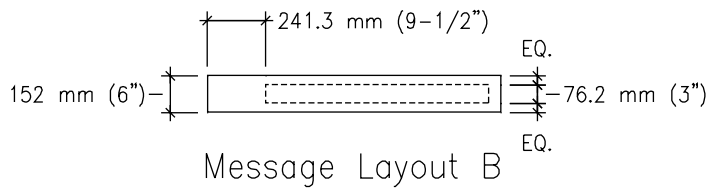
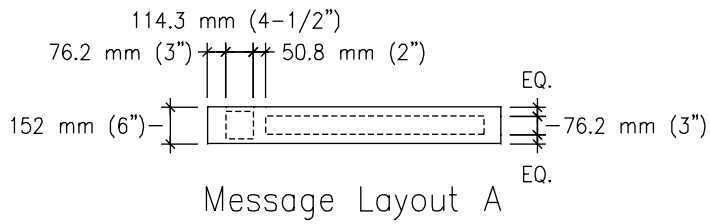
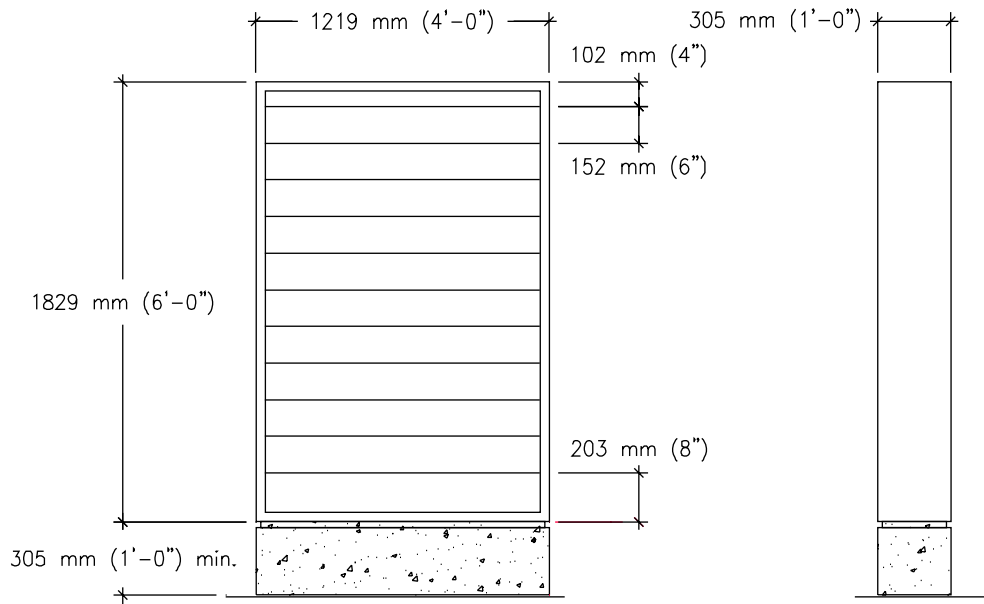
Message Layout B

Building 338

Message Layout C

Outpatient Entrance

This layout shows an indentation for a second line of copy



EN-03.02

Non-Illuminated Exterior Sign

Primary Directional Post and Panel

Size

Sign Face:
1219 mm H x 1829 mm W
(4' 0" H x 6' 0" W)

Overall Sign Height:
1981 mm (6' 6")

Description

Standard non-illuminated auto oriented post and panel sign with messages directed specifically to drivers.

Message Configuration

(Refer to message layout drawing for dimensions)

Message size and layout should adjust to the volume of information being presented. Layouts illustrated show small, medium and large size text. Smaller text than shown should not be used as the messages will be unreadable to drivers. Larger text than shown will result in words that may not fit on the sign.

Graphic Process

Surface applied reflective vinyl.

Colors

Text: White T2
Background: Refer to Color Chart
Post: Refer to Color Chart

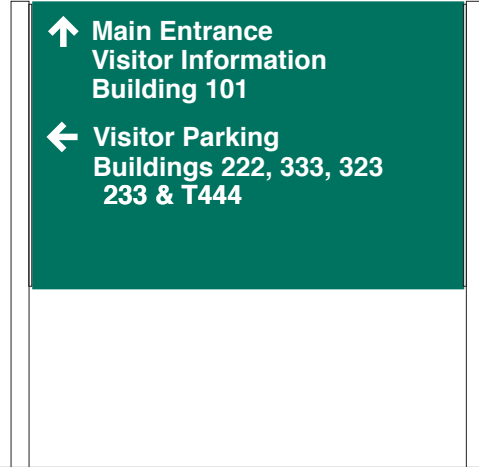
Recommendations

This type of directional sign should be used only when the particular message that it will contain is not likely to change.

Directional information for services ahead should always be at the top of the sign.

Always leave space between groups of directional information. This will aid in the ability of the driver to read grouped directional information more quickly.

Generally, configure a sign with blank space at the bottom of the sign. This will aid in the ability of the driver to read the sign. Position sign so drivers have a clear, unobstructed view of the sign.



Message Layout A

↑ Main Entrance
Visitor Information
Building 101
← Visitor Parking
Buildings 222, 333, 323
233 & T444

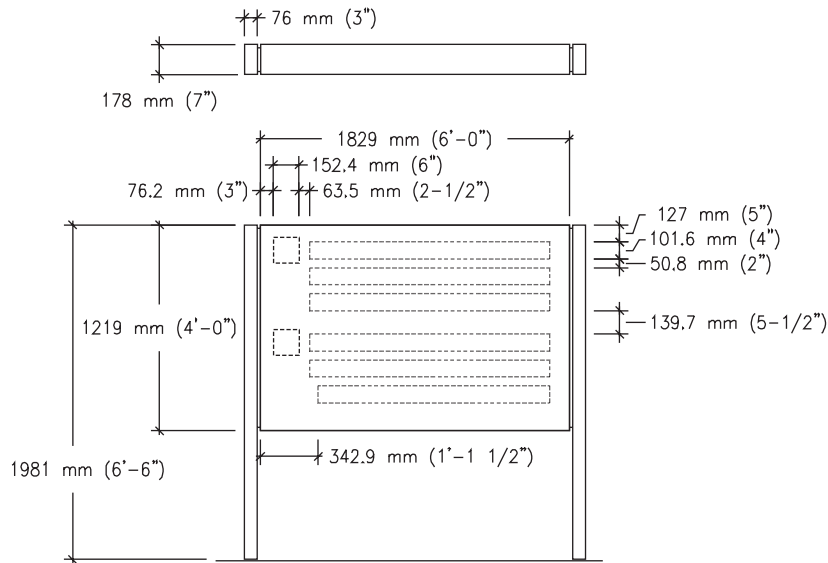
Message Layout B

↑ Main Entrance
Visitor
Information

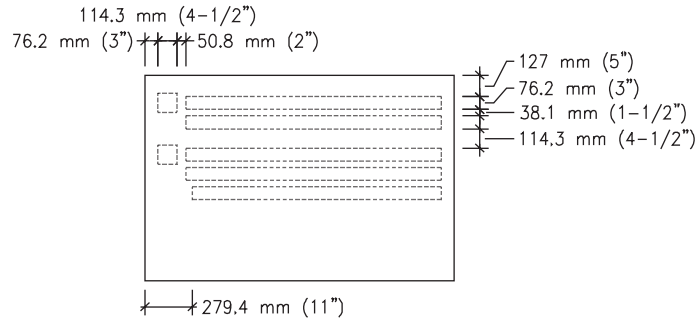
Message Layout C

↑ Main Entrance
Visitor Information
Building 101
← Visitor Parking
Building 222, 333

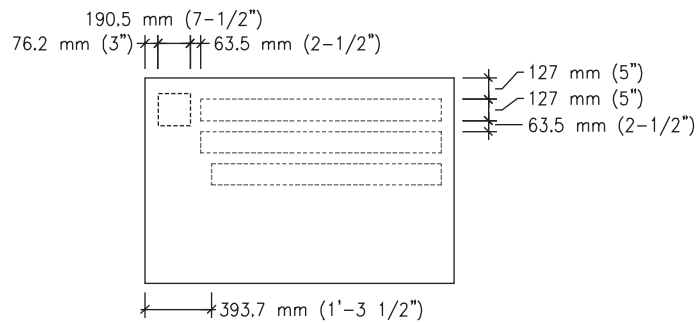
Primary Directional Post and Panel



Message Layout C



Message Layout A



Message Layout B

EN-03.03

Non-Illuminated Exterior Sign

Secondary Post and Panel

Size

Sign Face:
914 mm H x 1219 mm W
(3' 0" H x 4' 0" W)

Overall Sign Height:
1676 mm (5' 6")

Description

Small non-illuminated post and panel sign with messages directed specifically to drivers. This sign can also be used to identify buildings.

Message Configuration

(Refer to message layout drawing for dimensions)

Message size and layout should adjust to the volume of information being presented. Layouts illustrated show small, medium and large size text. Smaller text than shown should not be used as the messages will be unreadable to drivers. Larger text than shown will result in words that may not fit on the sign.

Graphic Process

Surface applied reflective vinyl.

Colors

Text: White T2
Background: Refer to Color Chart
Post: Refer to Color Chart

Recommendations

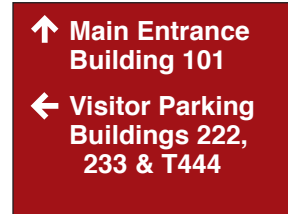
As a directional sign it should be used only when the particular message that it will contain is not likely to change and directional information for services ahead should always be at the top of the sign.

Always leave space between groups of directional information. This will aid in the ability of the driver to read grouped directional information more quickly.

Generally, configure a sign with blank space at the bottom of the sign. This will aid in the ability of the driver to read the sign. Position sign so drivers have a clear, unobstructed view of the sign.



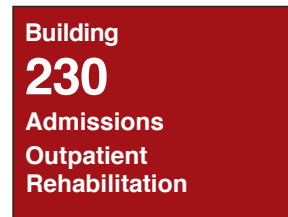
Message Layout A



Message Layout B



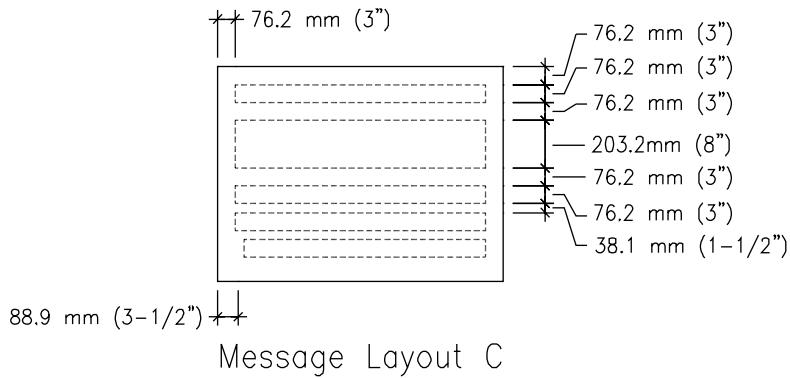
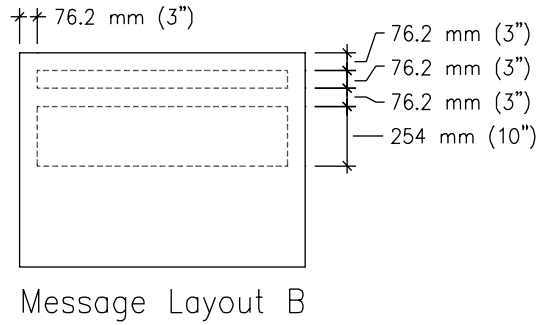
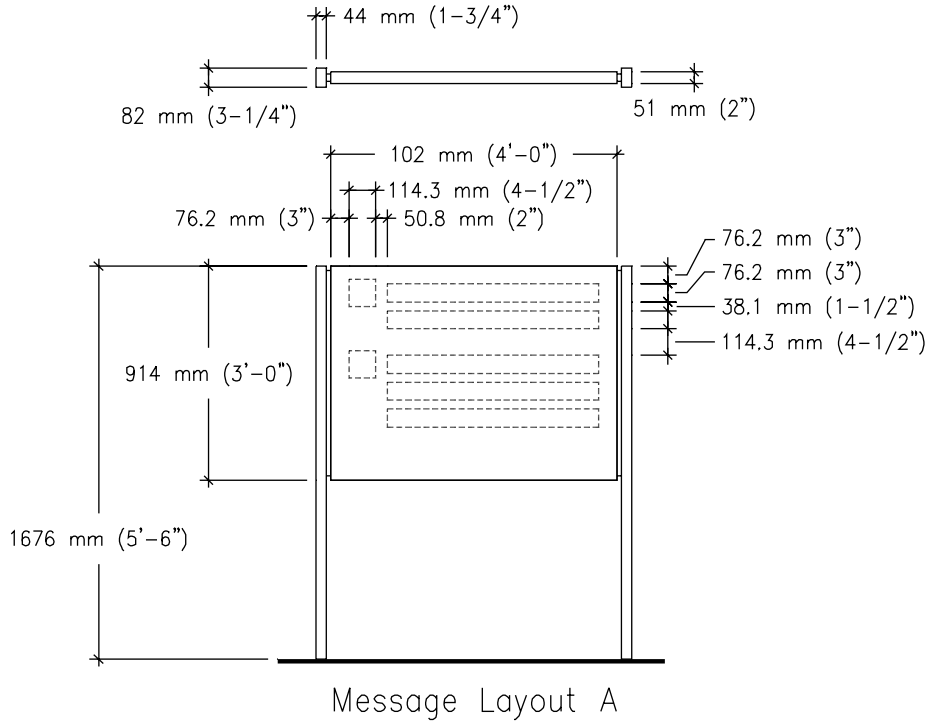
Message Layout C



Message Layout D



Secondary Post and Panel



EN-03.04

Non-Illuminated Exterior Sign

Secondary Post and Panel

Size

Sign Face:
610 mm H x 914 mm W
(2' 0" H x 3' 0" W)

Overall Sign Height:
1524 mm (5' 0")

Description

Non-illuminated, post and panel sign directional sign with messages directed specifically to pedestrians. Also, the sign can be used to identify buildings.

Message Configuration

(Refer to message layout drawing for dimensions)

Message size and layout should adjust to the volume of information being presented. Smaller text than shown should not be used as the messages will be unreadable. Larger text than shown will result in words that may not fit on the sign.

Graphic Process

Surface applied reflective vinyl.

Colors

Text: White T2
Background: Refer to Color Chart
Post: Refer to Color Chart

Recommendations

Position sign so pedestrians have a clear, unobstructed view of the sign.



Message Layout A



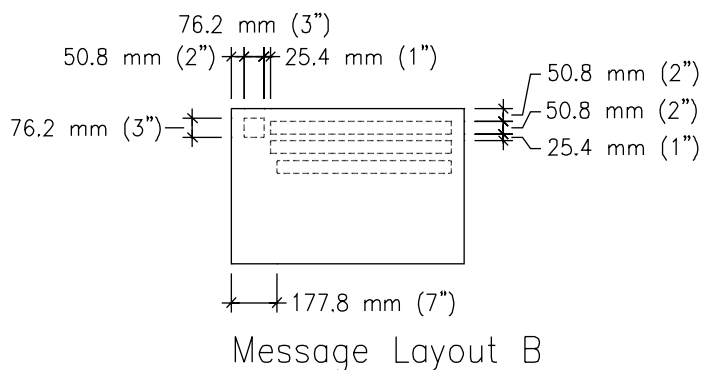
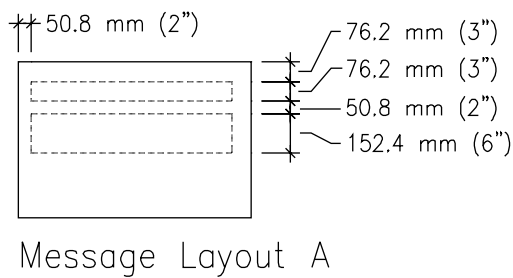
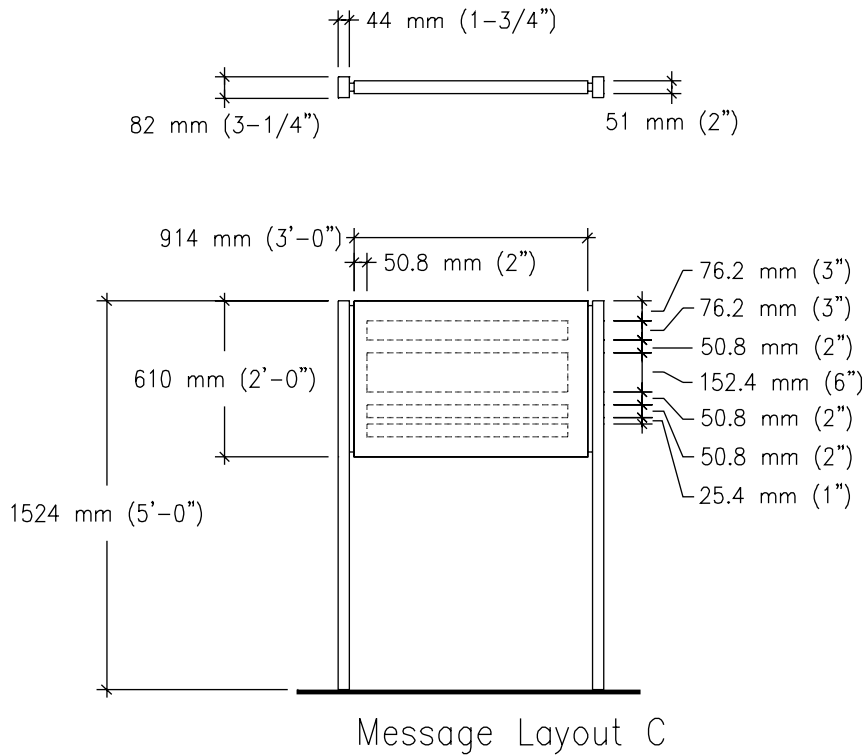
Message Layout B



Message Layout C



Secondary Post and Panel



EN-03.05

Non-Illuminated Exterior Sign

Primary Building Identification

Size

Sign Face:
914 mm H x 914 mm W
(3' 0" H x 3' 0" W)

Overall Sign Height:
1676 mm (5' 6")

Description

Large, non-illuminated auto oriented building number/ identification post and panel sign for identification of a building when a large sign is needed because the building is set back away from the roadway or the architectural scale (size) of the building warrants a large sign.

Message Configuration

(Refer to message layout drawing for dimensions)

Message size and layout should adjust to the volume of information being presented. Layouts illustrated show small, medium and large size text. Smaller text than shown should not be used as the messages will be unreadable to drivers. Larger text than shown will result in words that may not fit on the sign.

Graphic Process

Surface applied reflective vinyl.

Colors

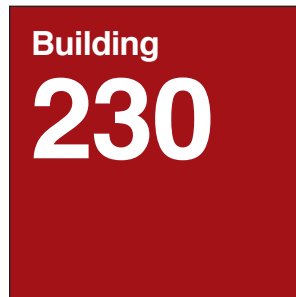
Text: White T2
Background: Refer to Color Chart
Post: Refer to Color Chart

Recommendations

Position sign so drivers have a clear, unobstructed view of the sign.

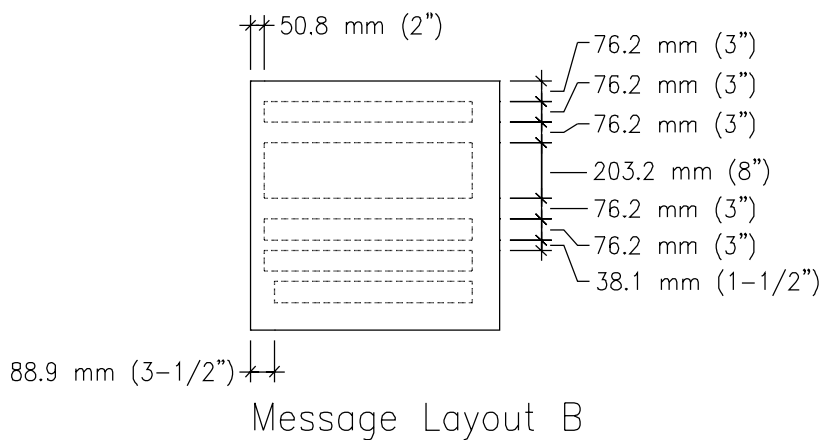
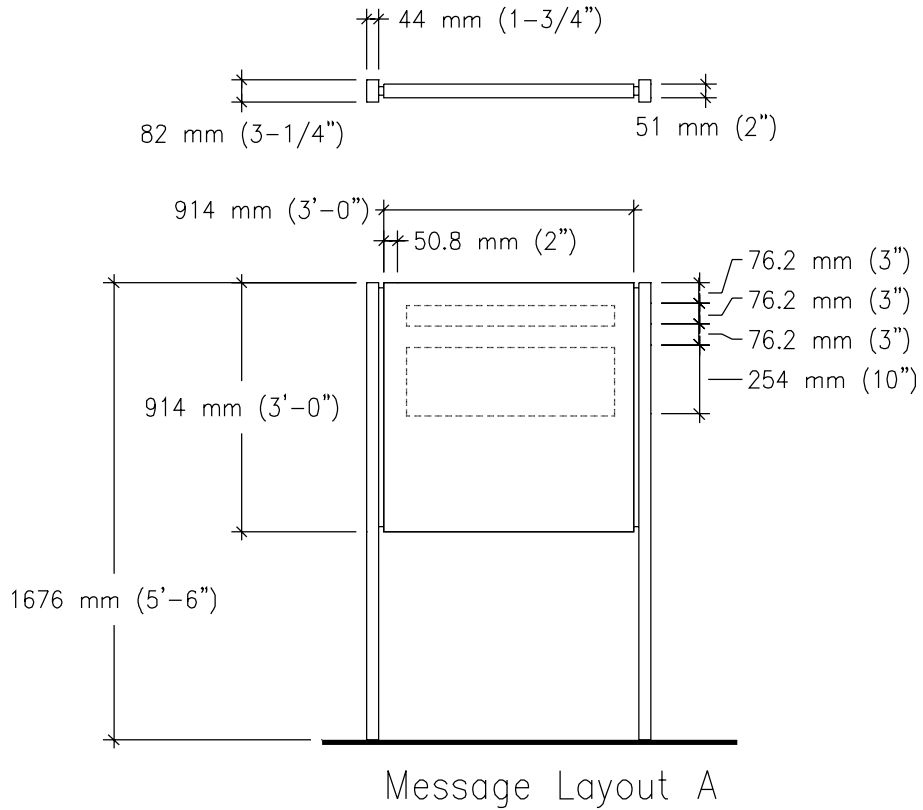


Message Layout A



Message Layout B





EN-03.06

Non-Illuminated Exterior Sign

Secondary Building Identification & Informational

Size

Sign Face:
610 mm H x 610 mm W
(2' 0" H x 2' 0" W)

Overall Sign Height:
1524 mm (5' 0")

Description

Non-illuminated, pedestrian oriented building number/ identification post and panel sign. This sign can be used for other general applications from information text to identifying specific functions or activities.

Message Configuration

(Refer to message layout drawing for dimensions)

Message size and layout should adjust to the volume of information being presented. Layouts illustrated show various sizes of text. Smaller text than shown should not be used as the messages will be unreadable. Larger text than shown will result in words that may not fit on the sign.

Graphic Process

Surface applied reflective vinyl.

Colors

Text: White T2
Background: Refer to Color Chart
Post: Refer to Color Chart

Recommendations

Position sign so drivers and pedestrians have a clear view. This sign has a limited viewing range for drivers because of its small size.



Message Layout A



Message Layout B



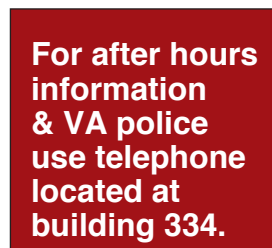
Message Layout C

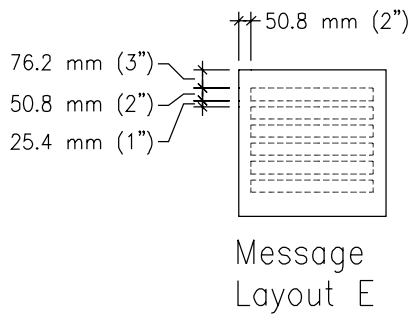
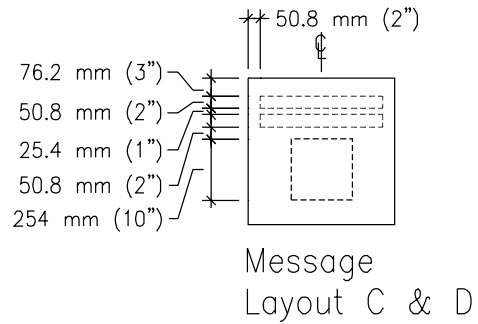
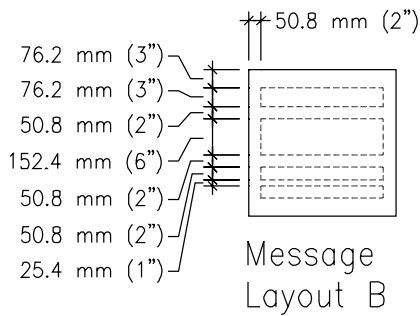
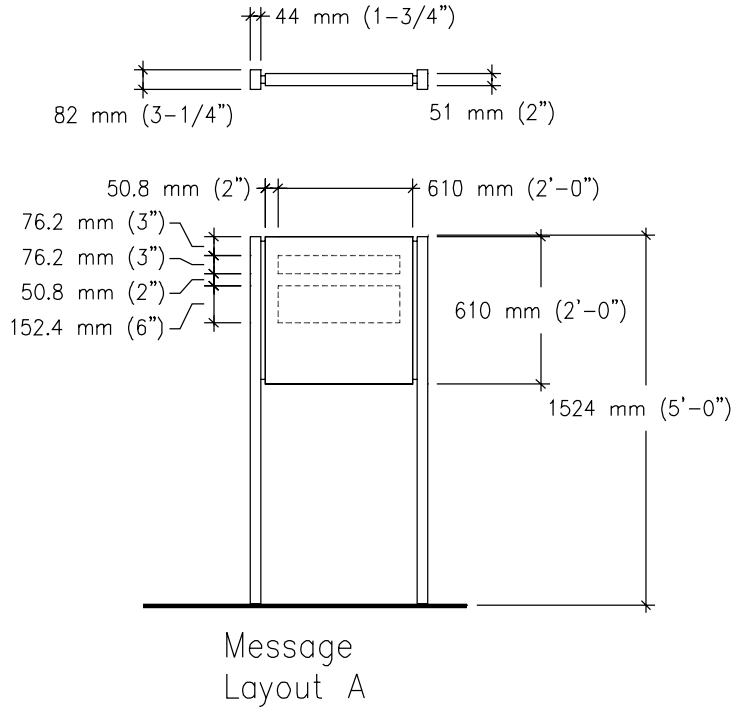


Message Layout D



Message Layout E





EN-04.01

Non-Illuminated Exterior Sign

Primary Directional Post and Stacking Bar

Size

Sign Face:
1219 mm H x 2438 mm W
(4' 0" H x 8' 0" W)

Overall Sign Height:
1981 mm (6' 6")

Description

Large/long, non-illuminated auto oriented 6-8 stacking bar directional sign.

Message Configuration

(Refer to construction drawing for dimensions)

Layout A is for the first line of text with an arrow of direction.

Layout B is for message with no arrow which is located immediately under a copy bar with an arrow.

Layout C is for indented text. This is for situations where the message has to run over onto a second copy bar.

Graphic Process

Surface applied reflective vinyl.

Colors

Text: White T2
Background: Refer to Color Chart
Post: Refer to Color Chart

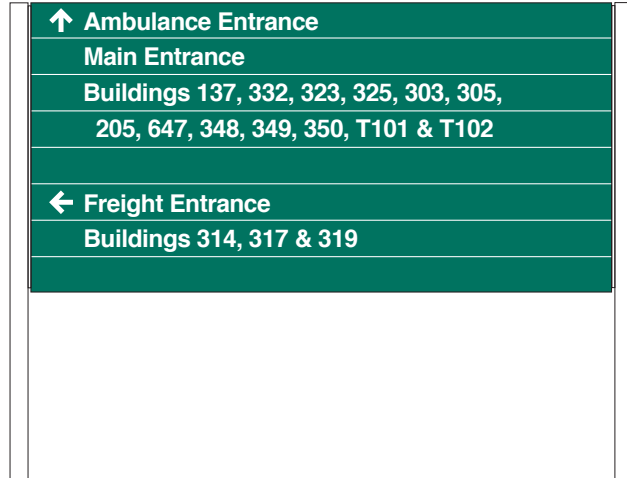
Recommendations

Position sign so drivers have a clear, unobstructed view of the sign.

Directional information for services ahead should always be at the top of the sign.

Always leave a blank copy bar between groups of directional information. This will aid in the ability of the driver to read grouped directional information more quickly.

Generally, configure a sign with at least one blank copy bar at the bottom of the sign. This will aid in the ability of the driver to read the sign. It will also allow for an additional line of text to be added to the sign in the future without having to order another copy strip.



Message Layout A



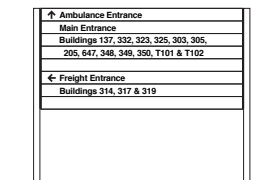
Message Layout B



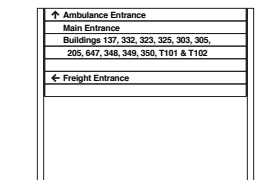
Message Layout C



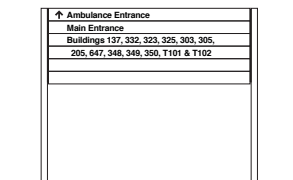
This layout shows an indentation for a second line of copy



ENO4.1A (8 Bar)

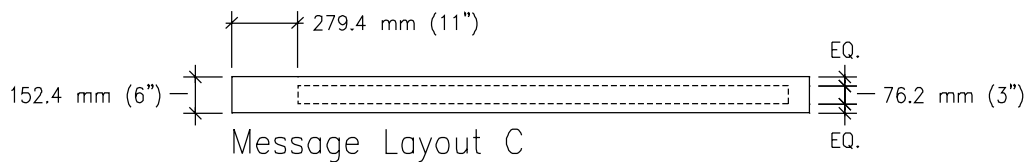
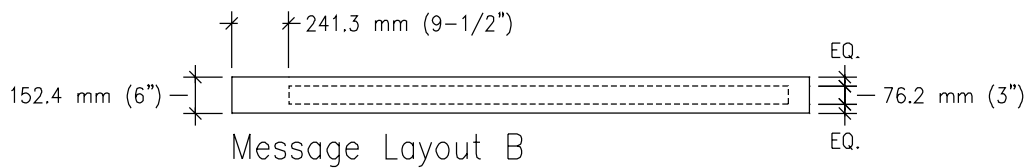
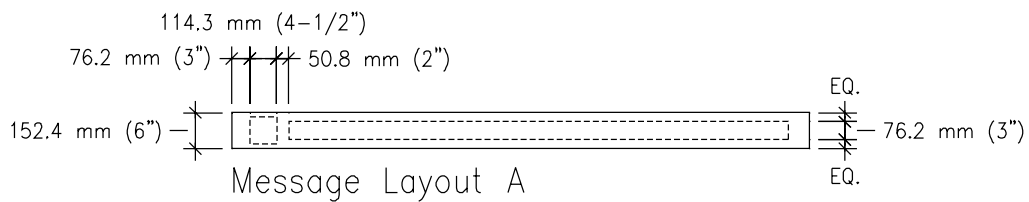
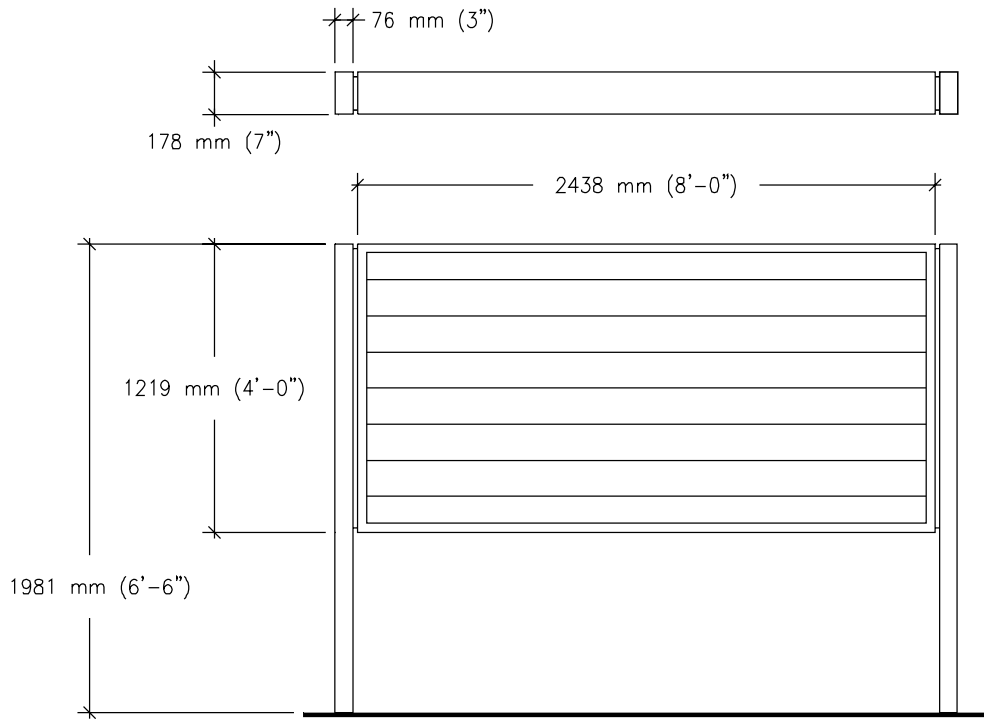


ENO4.1B (7 Bar)



ENO4.1C (6 Bar)

Primary Directional Post and Stacking Bar



EN-04.02

Non-Illuminated Exterior Sign

Secondary Directional Post and Stacking Bar

Size

Sign Face:
1219 mm H x 1829 mm W
(4' 0" H x 6' 0" W)

Overall Sign Height:
1829 mm (6' 0")

Description

Standard non-illuminated auto oriented 5 to 8 stacking bar directional sign.

Message Configuration

(Refer to construction drawing for dimensions)

Layout A is for the first line of text with an arrow of direction.

Layout B is for message with no arrow which is located immediately under a copy bar with an arrow.

Layout C is for indented text. This is for situations where the message has to run over onto a second copy bar.

Graphic Process

Surface applied reflective vinyl.

Colors

Text: White T3
Background: Refer to Color Chart
Post: Refer to Color Chart

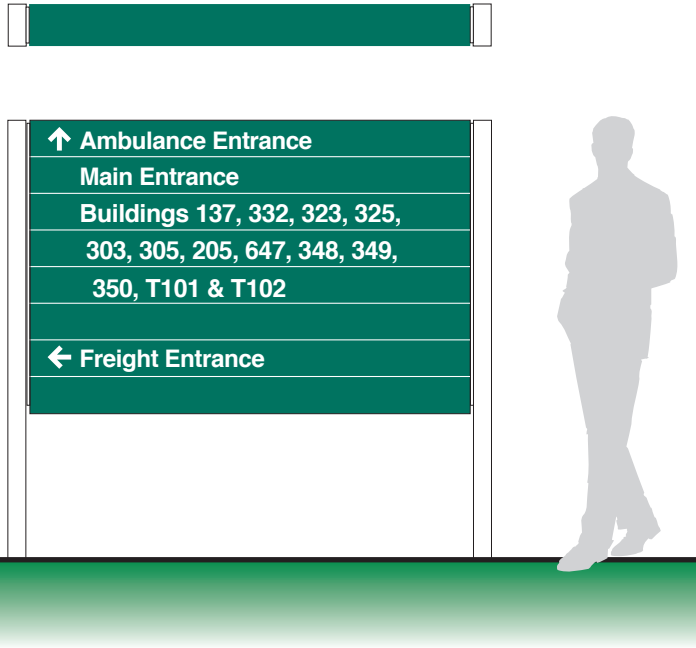
Recommendations

Position sign so drivers have a clear, unobstructed view of the sign.

Directional information for services ahead should always be at the top of the sign.

Always leave a blank copy bar between groups of directional information. This will aid in the ability of the driver to read grouped directional information more quickly.

Generally, configure a sign with at least one blank copy bar at the bottom of the sign. This will aid in the ability of the driver to read the sign. It will also allow for an additional line of text to be added to the sign in the future without having to order another copy bar.



Message Layout A

↑ Ambulance Entrance

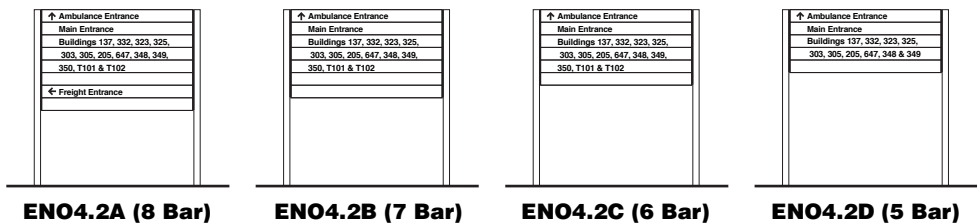
Message Layout B

Building 338

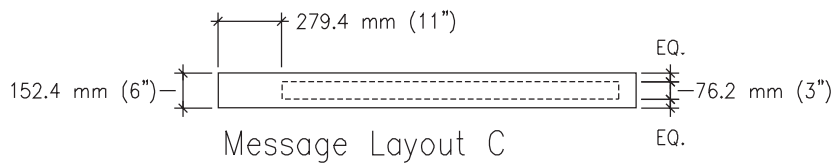
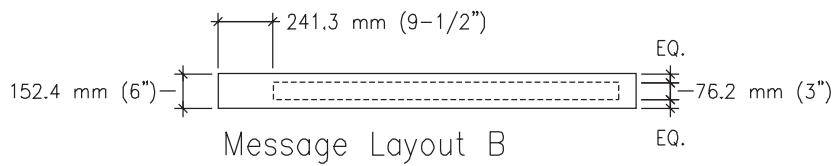
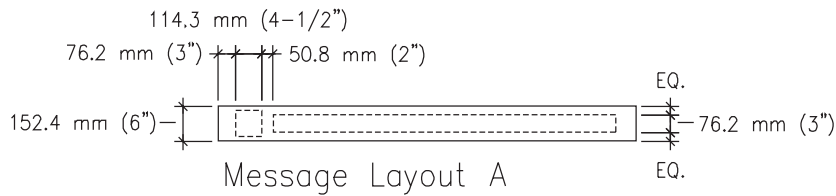
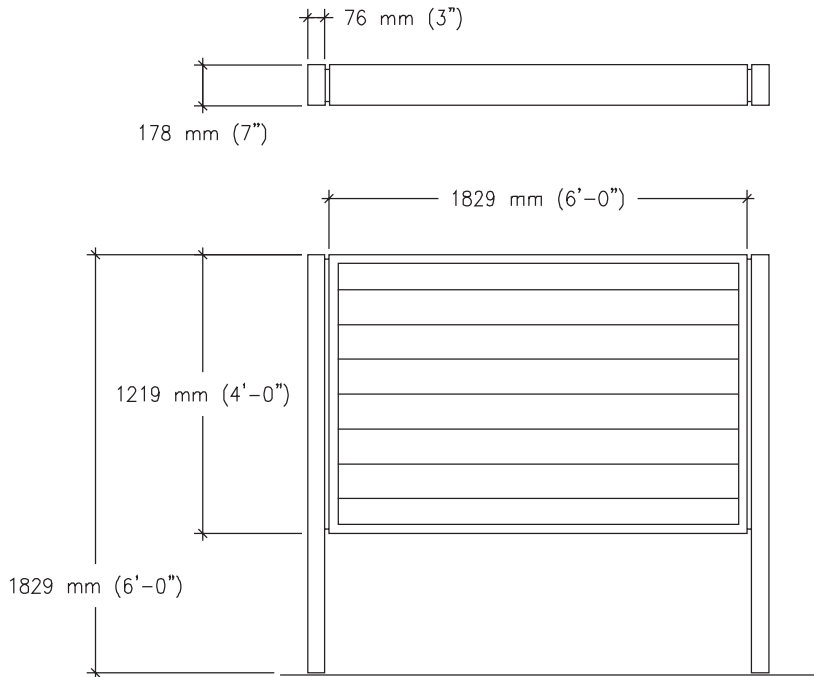
Message Layout C

Outpatient Entrance

This layout shows an indentation for a second line of copy



Secondary Directional Post and Stacking Bar



EN-04.03

Non-Illuminated Exterior Sign

Secondary Directional Post and Stacking Bar

Size

Sign Face:
914 mm H x 1219 mm W
(3' 0" H x 4' 0" W)

Overall Sign Height:
1676 mm (5' 6")

Description

Small, non-illuminated auto oriented 4 to 6 stacking bar directional sign.

Message Configuration

(Refer to construction drawing for dimensions)

Layout A is for the first line of text with an arrow of direction.

Layout B is for message with no arrow which is located immediately under a copy bar with an arrow.

Layout C is for indented text. This is for situations where the message has to run over onto a second copy bar.

Graphic Process

Surface applied reflective vinyl.

Colors

Text: White T2
Background: Refer to Color Chart
Post: Refer to Color Chart

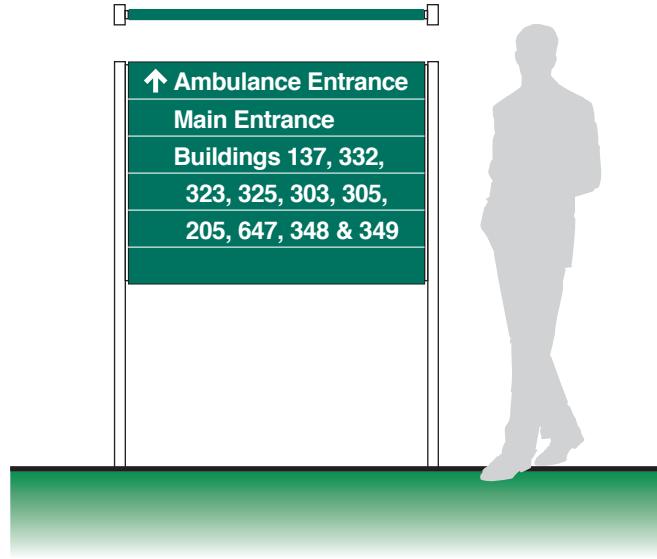
Recommendations

Position sign so drivers have a clear, unobstructed view of the sign.

Directional information for services ahead should always be at the top of the sign.

Always leave a blank copy bar between groups of directional information. This will aid in the ability of the driver to read grouped directional information more quickly.

Generally, configure a sign with at least one blank copy bar at the bottom of the sign. This will aid in the ability of the driver to read the sign. It will also allow for an additional line of text to be added to the sign in the future without having to order another copy bar.



Message Layout A



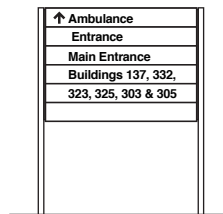
Message Layout B



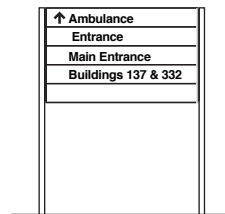
Message Layout C



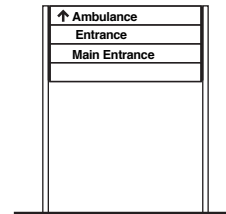
This layout shows an indentation for a second line of copy



EN04.3A (6 Bar)

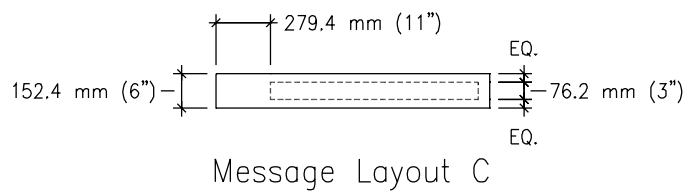
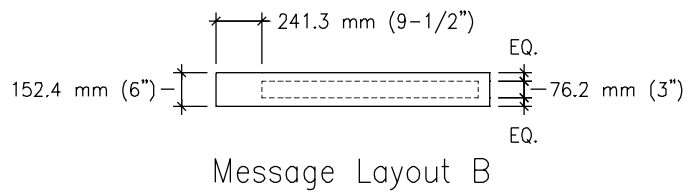
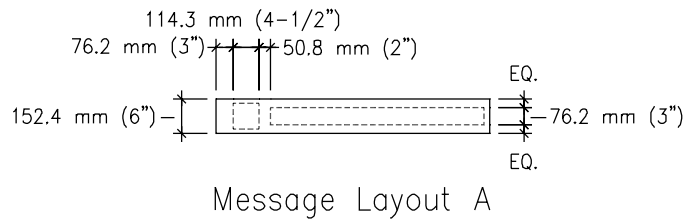
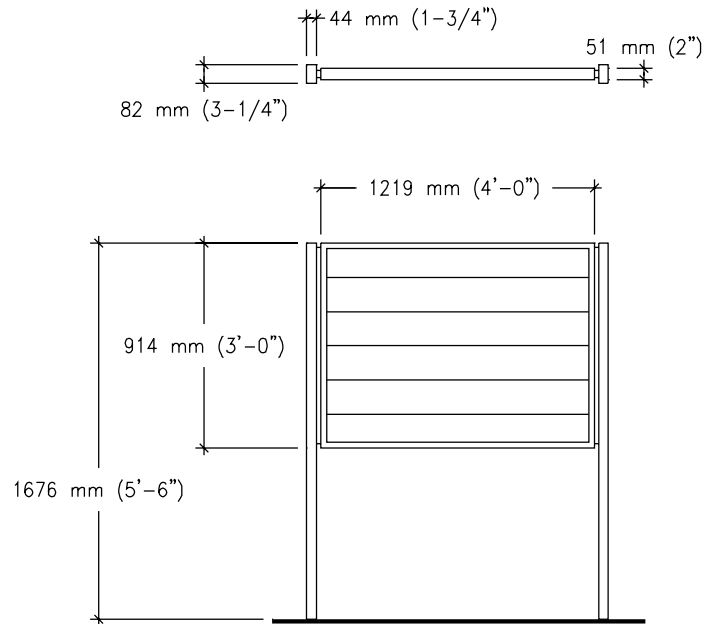


EN04.3B (5 Bar)



EN04.3C (4 Bar)

Secondary Directional Post and Stacking Bar



EN-04.04

Non-Illuminated Exterior Sign

Secondary Directional Post and Stacking Bar

Size

Sign Face:
610 mm H x 914 mm W
(2' 0" H x 3' 0" W)

Overall Sign Height:
1524 mm (5' 0")

Description

Non-illuminated, pedestrian oriented 3 to 4 stacking directional bar sign.

Message Configuration

(Refer to construction drawing for dimensions)

Layout A is for the first line of text with an arrow of direction.

Layout B is for message with no arrow which is located immediately under a copy bar with an arrow.

Layout C is for indented text. This is for situations where the message has to run over onto a second copy bar.

Graphic Process

Surface applied reflective vinyl.

Colors

Text: White T2
Background: Refer to Color Chart
Post: Refer to Color Chart

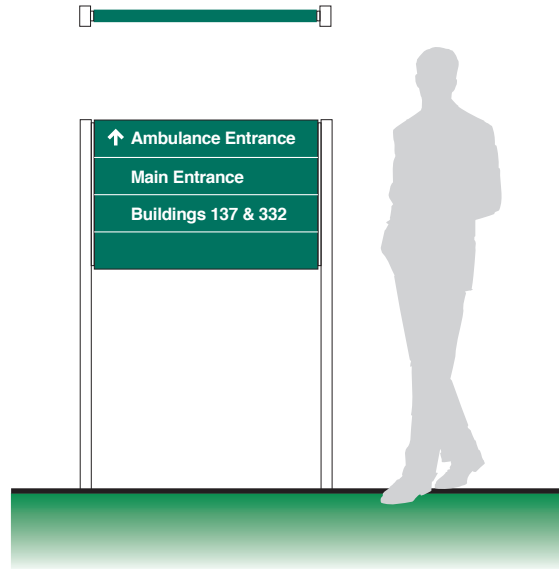
Recommendations

Position sign so drivers have a clear, unobstructed view of the sign.

Directional information for services ahead should always be at the top of the sign.

Always leave a blank copy bar between groups of directional information. This will aid in the ability of the driver to read grouped directional information more quickly.

Generally, configure a sign with at least one blank copy bar at the bottom of the sign. This will aid in the ability of the driver to read the sign. It will also allow for an additional line of text to be added to the sign in the future without having to order another copy bar.



Message Layout A

↑ Ambulance Entrance

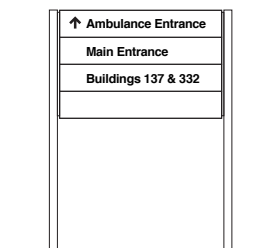
Message Layout B

Building 383

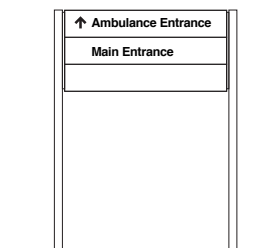
Message Layout C

Outpatient Entrance

This layout shows an indentation for a second line of copy

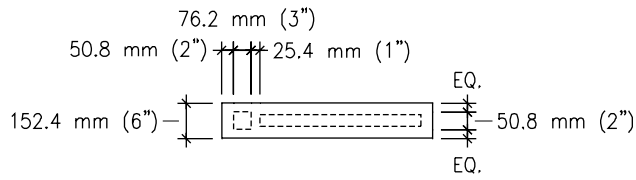
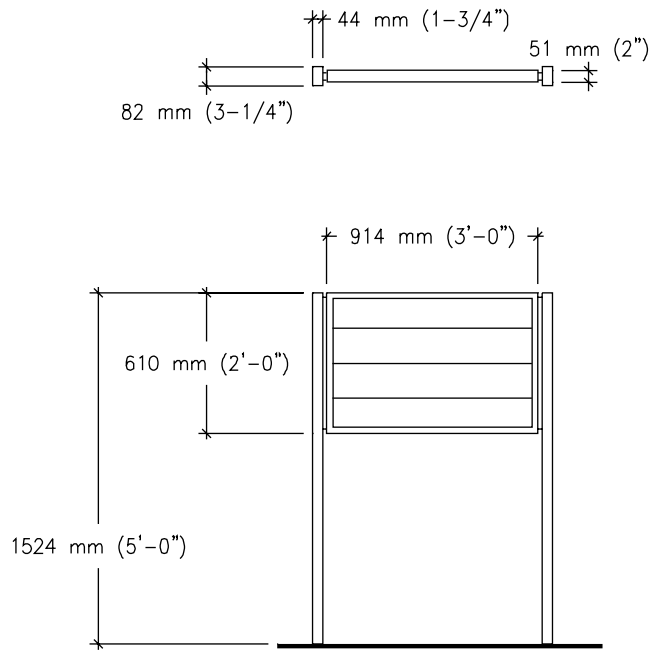


ENO4.4A (4 Bar)

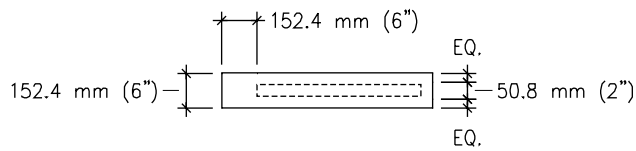


ENO4.4B (3 Bar)

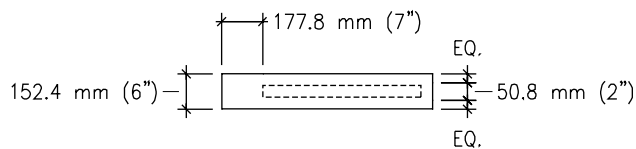
Secondary Directional Post and Stacking Bar



Message Layout A



Message Layout B



Message Layout C

EN-05.01

Non-Illuminated Exterior Sign

Large Single Post Informational

Size

Sign Face:
762 mm H x 610 mm W
(2' 6" H x 2' 0" W)

Overall Sign Height:
1829 mm (6' 0")

Description

Large, non-illuminated single post identification, informational and directional sign. This type of sign is for miscellaneous uses and can be utilized in landscape areas, at the head of parking stalls, or in other locations which have space limitations.

Message Configuration

(Refer to message layout drawing for dimensions)

Message configurations shown illustrate various adaptable uses for this particular style of sign.

Graphic Process

Surface applied reflective vinyl.

Colors

Text: White T2
Background: Refer to Color Chart
Post: Refer to Color Chart

Recommendations

Position sign so drivers have a clear, unobstructed view of the sign.

It is recommended that this type of sign be placed in situations where a smaller sign is required or a particular situation precludes the use of a double post and panel sign.

When placing this type of sign near curbs or parking places, be sure the sign is set far enough back that over hanging front and rear of automobiles do not come in contact with the sign post.



Message Layout A



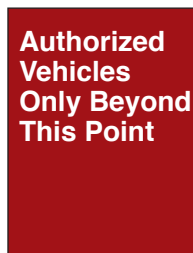
Message Layout B



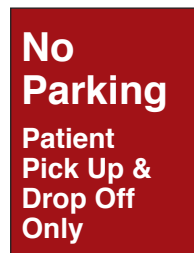
Message Layout C

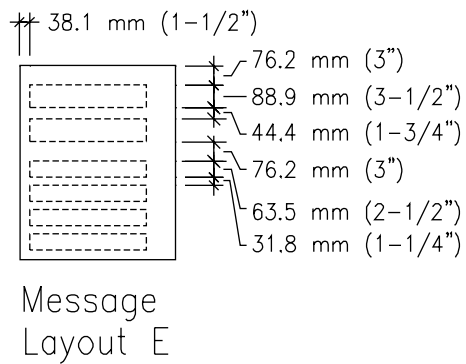
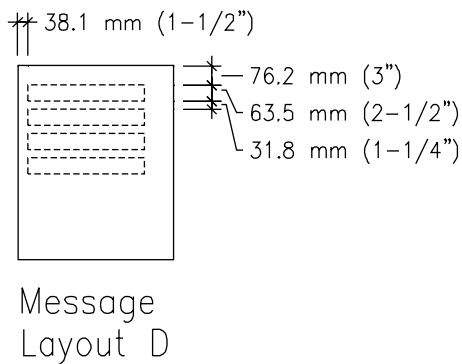
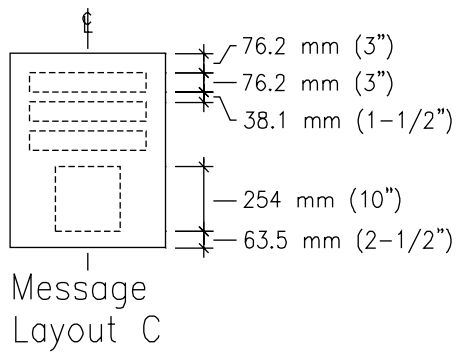
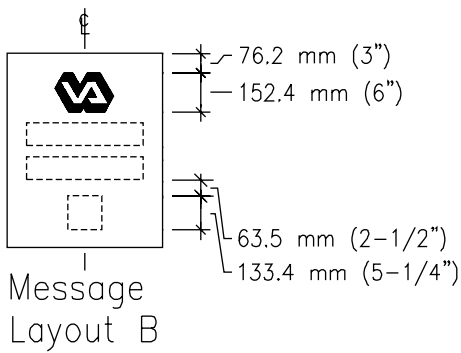
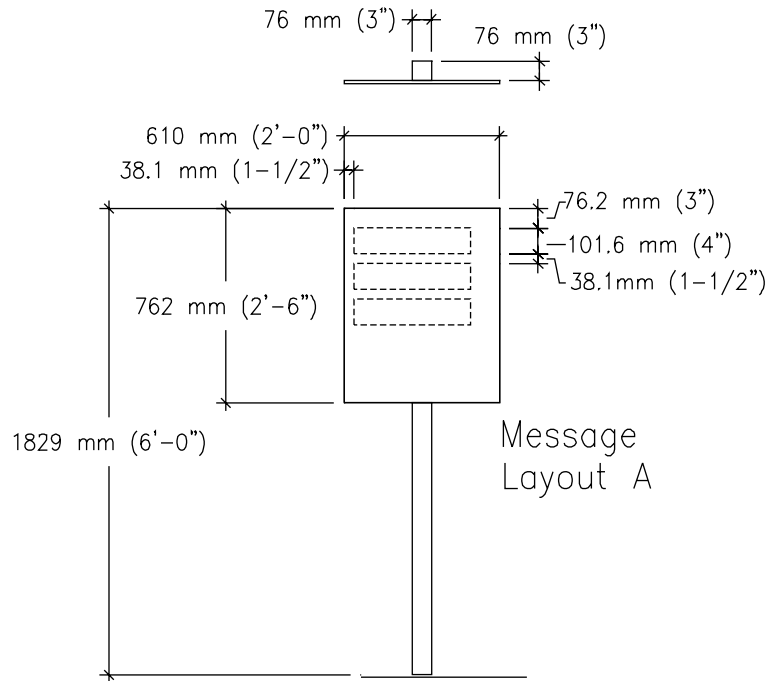


Message Layout D



Message Layout E





EN-05.02

Non-Illuminated Exterior Sign

Medium Single Post Informational

Size

Sign Face:
610 mm H x 457 mm W
(2' 0" H x 1' 6" W)

Overall Sign Height:
1829 mm (6' 0")

Description

Standard, non-illuminated single post identification, informational and directional sign. This type of sign is the standard one for miscellaneous uses. It can be utilized in landscape areas, at the head of parking stalls, or in other locations which have space limitations which preclude the use of a double post and panel sign.

Message Configuration

(Refer to message layout drawing for dimensions)

Message configurations shown illustrate various adaptable uses for this particular style of sign.

Graphic Process

Surface applied reflective vinyl.

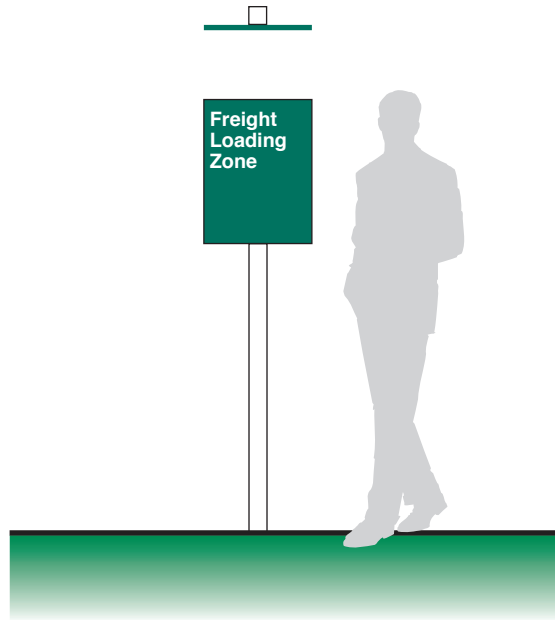
Colors

Text: White T2
Background: Refer to Color Chart
Post: Refer to Color Chart

Recommendations

Position sign so drivers have a clear, unobstructed view of the sign.

When placing this type of sign near curbs or parking places, be sure the sign is set far enough back that over hanging front and rear of automobiles do not come in contact with the sign post.



Message Layout A



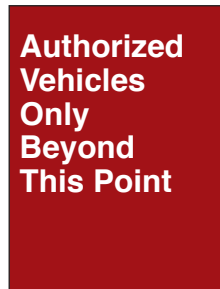
Message Layout B



Message Layout C

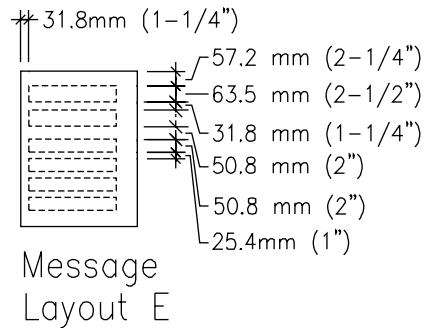
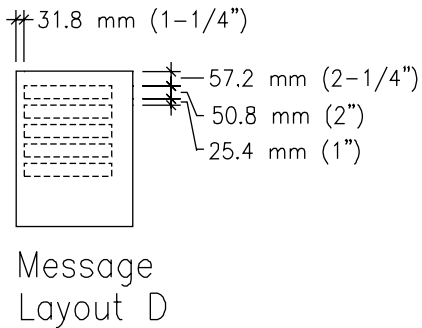
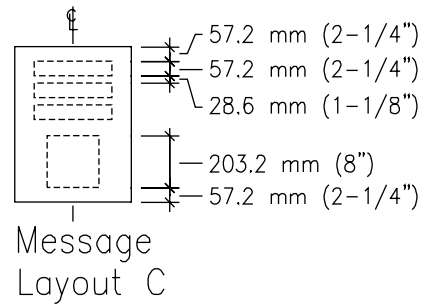
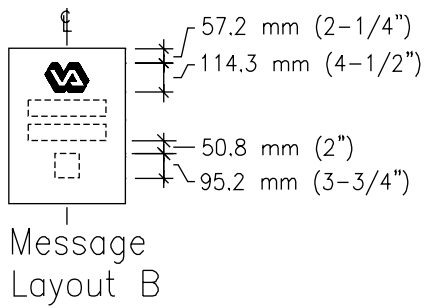
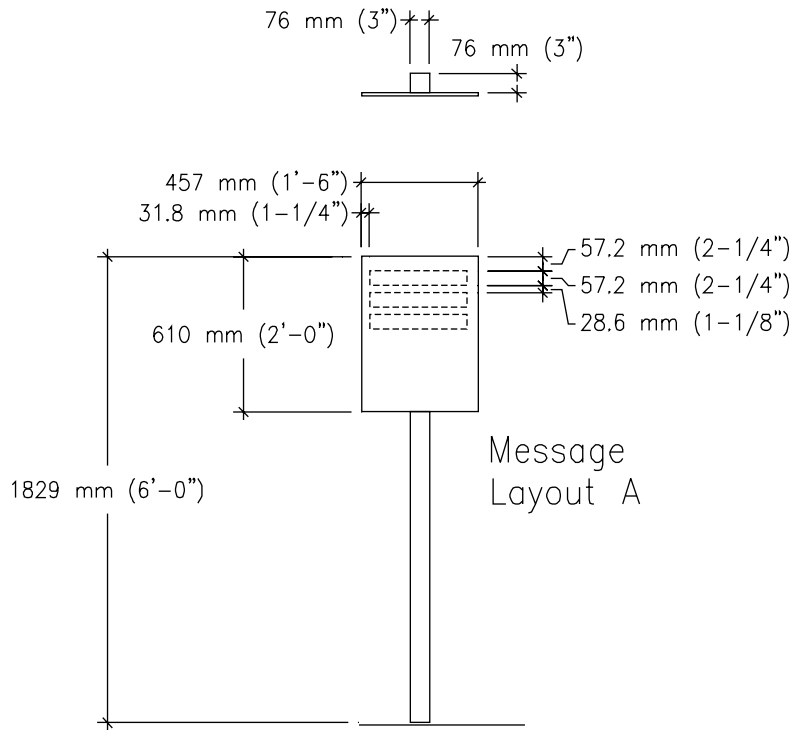


Message Layout D



Message Layout E





EN-05.03

Non-Illuminated Exterior Sign

Small Single Post Informational

Size

Sign face:
457 mm H X 305 mm W
(1'6" H X 1'0" W)

Overall Sign High:
1829 mm (6' 0")

Description

Small, non-illuminated single post identification and informational sign. This type of sign is for miscellaneous uses and can be utilized in landscape areas at the head of parking stalls, or in other locations which have space limitations. This type of sign would be placed in situations where a small sign is required.

Message Configuration

(Refer to message layout drawing for dimensions)

Message configurations shown, illustrate various adaptable uses for this particular style of sign.

Graphic Process

Surface applied reflective Vinyl.

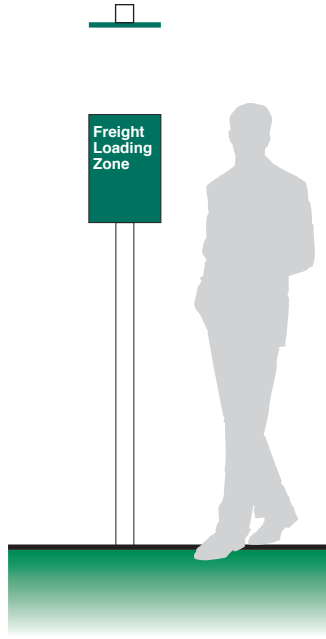
Colors

Text: White T2
Background: Refer to Color Chart
Post: Refer to Color Chart

Recommendations

Position sign so drivers have a clear, unobstructed view of the sign.

When placing this type of sign near curbs or parking places, be sure the sign is set far enough back that over-hanging front and rear of automobiles do not come in contact with the sign post.



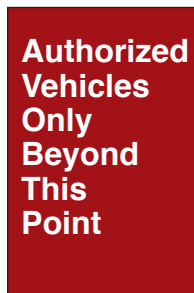
Message Layout A



Message Layout B



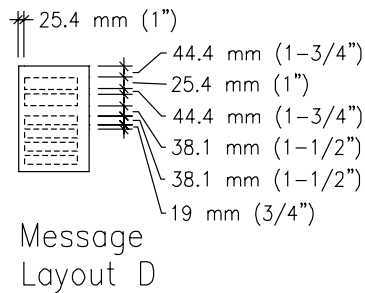
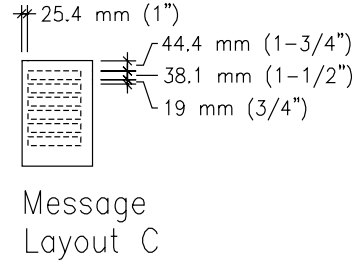
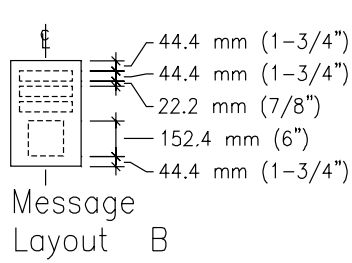
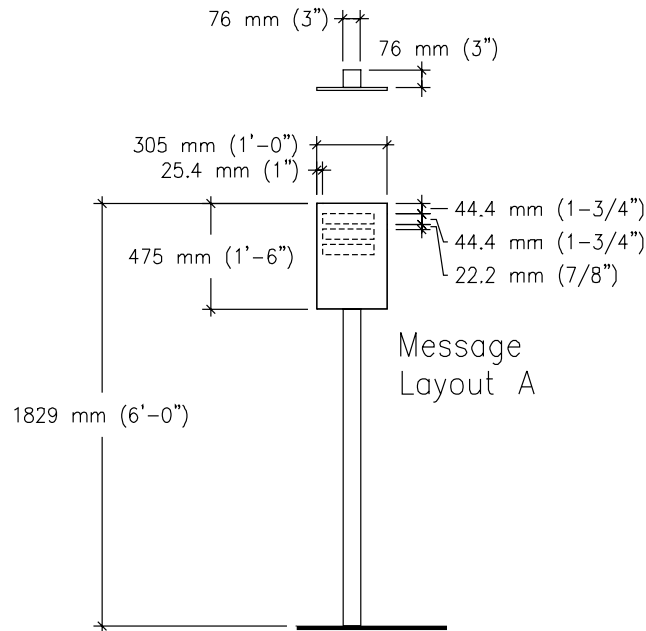
Message Layout C



Message Layout D



Small Single Post Informational



EN-06.01

Non-Illuminated Exterior Sign

Wall Mounted Overhead

Size

Sign Face:
610 mm H x 2438 mm W
(2' 0" H x 8' 0" W)

Description

Non-illuminated, overhead wall mounted sign. Identification of a stand alone building that is not a medical center. This sign type can also be used to identify an entrance to a building.

Message Configuration

(Refer to message layout drawing for dimensions)

Message Layout A, B and C are for identifying an entrance to a building.

Message Layout D is for identifying a non-medical center stand alone building.

Graphic Process

Surface applied reflective vinyl.

Colors

Text: White T2
Background: Refer to Color Chart

Recommendations

For a stand alone non medical center building, use this type of sign when there is not place to install a free standing sign.

Use this type of sign for "titling" major building entrances that have a very high volume of patient and visitor traffic and need to be clearly distinguished.



**Spinal Rehabilitation
Clinic Entrance**



Message Layout A

Nursing Home Care

Message Layout B

Spinal Rehabilitation

Message Layout C

**Spinal Rehabilitation
Clinic Entrance**

Message Layout D

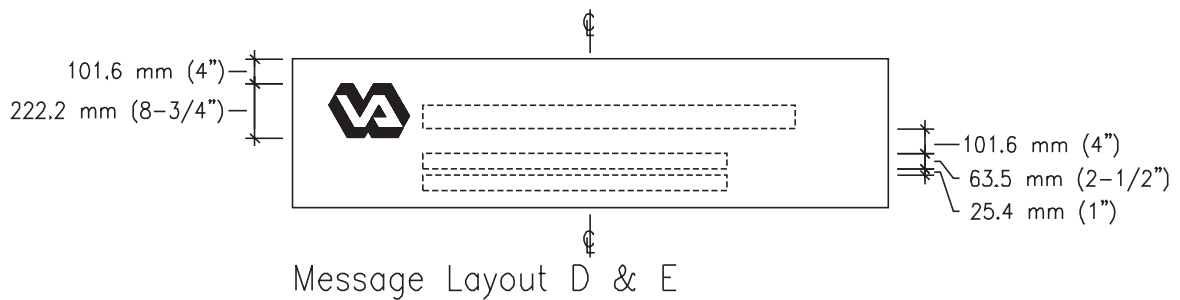
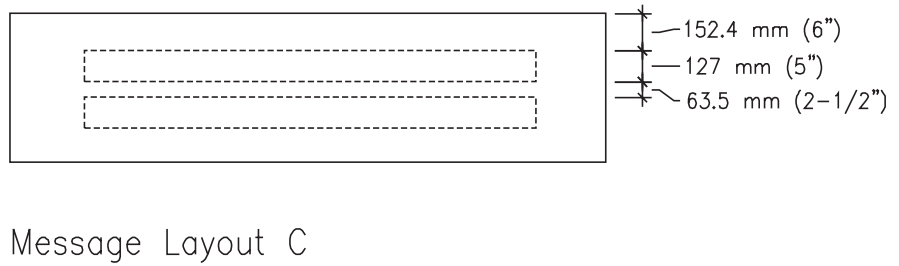
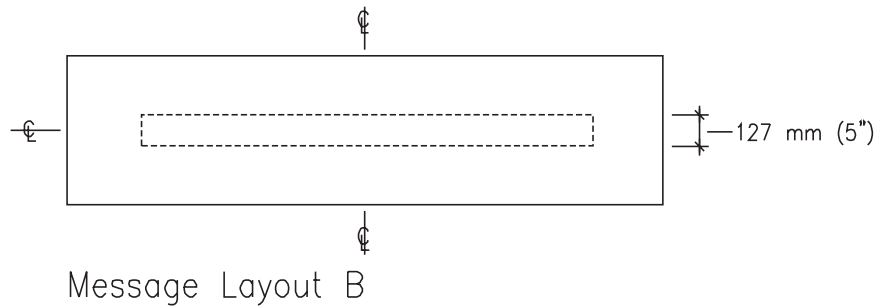
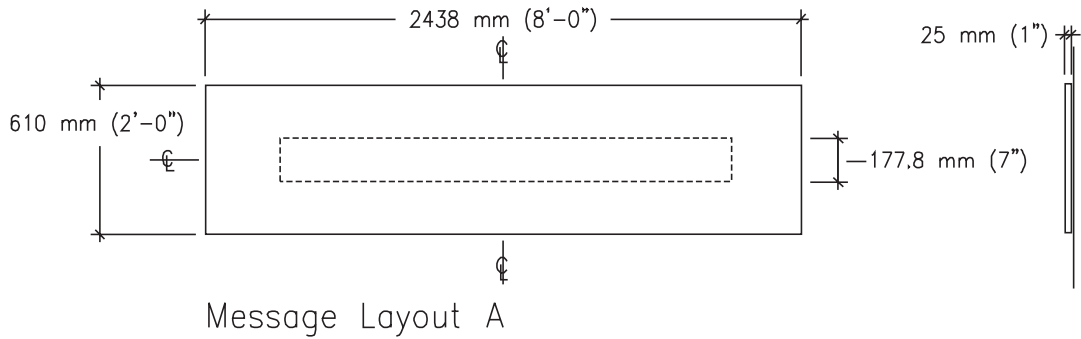


Department of Veterans Affairs

Beverly Clinic

VA Great Lakes Health Care System

Wall Mounted Overhead



EN-06.02

Non-Illuminated Exterior Sign

Wall Mounted Building Identification

Size

Sign Face:
914 mm H x 1219 mm W
(3' 0" H x 4' 0" W)

Description

Large, non-illuminated wall mounted sign. This sign type can be used to identify a building on a medical center campus. It also can be used for identification of a stand alone building that is not a medical center and there is not place to install a free standing sign.

Message Configuration

(Refer to message layout drawing for dimensions)

Message Layout A is for identifying a non-medical center, stand alone building.

Message Layout B and C are for identifying building on a medical center campus.

Graphic Process

Surface applied reflective vinyl.

Colors

Text: White T2
Background: Refer to Color Chart

Recommendations

For a stand alone non-medical center building, use this type of sign when there is not place to install a free standing sign.

Use this type of sign for "titling" building entrances that have a very high volume of patient and visitor traffic and needs to be clearly distinguished. It also can be use on a building that is set back a considerable distance from the roadway.

Position the sign adjacent the main entrance, if possible. If the sign is not readable in this position, then locate on the corner of the building.

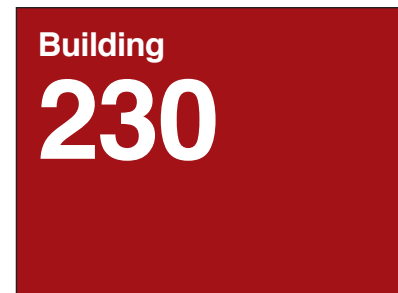
This large sign should not be used on small buildings or buildings with minor uses.



Message Layout A



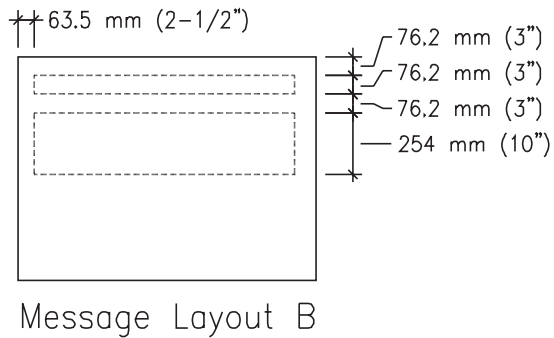
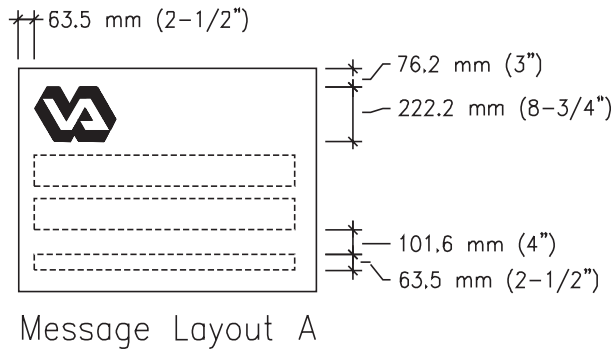
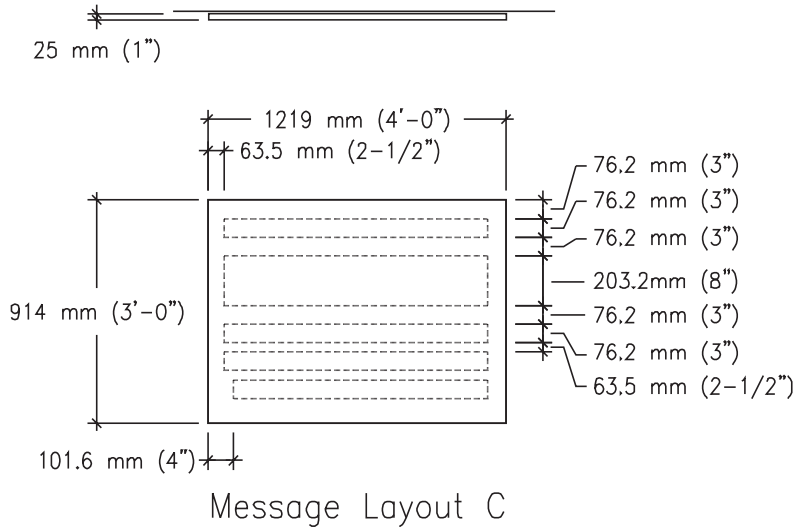
Message Layout B



Message Layout C



Wall Mounted Building Identification



EN-06.03

Non-Illuminated Exterior Sign

Wall Mounted Building Identification

Size

Sign Face:
1219 mm H x 914 mm W
(4' 0" H x 3' 0" W)

Description

Large, non-illuminated wall mounted sign with separate name panel. Building identification with and without names of the occupant or service. The secondary name of the occupant or service is on a changeable panel to allow modification to the sign without changing the entire sign.

Message Configuration

(Refer to message layout drawing for dimensions)

Message layouts show application of the sign with building identification number and number with secondary information.

Graphic Process

Surface applied reflective vinyl.

Colors

Text: White T2
Background: Please Refer to Color Chart

Recommendations

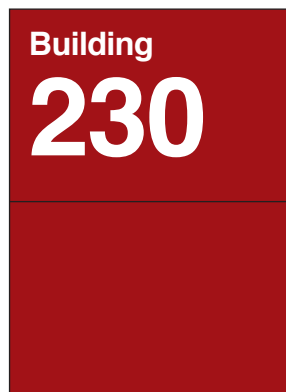
Use on a building that is set back a considerable distance from the roadway.

Position the sign adjacent to or above the main entrance, if possible. If the sign is not readable in this position, then locate on the corner of the building.

This large sign should not be used on small buildings or buildings with minor uses.



Message Layout A



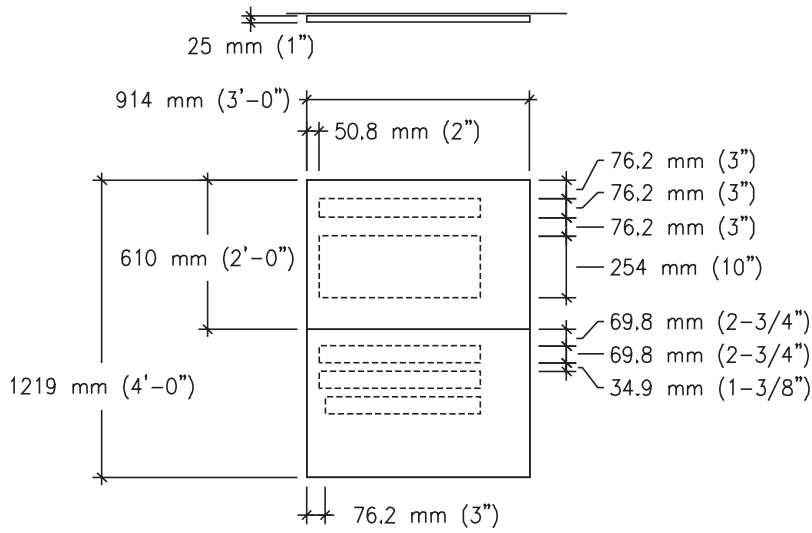
Message Layout B



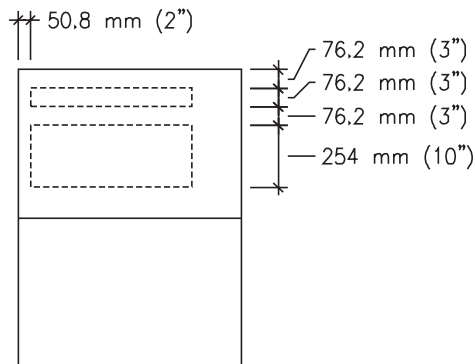
Message Layout C



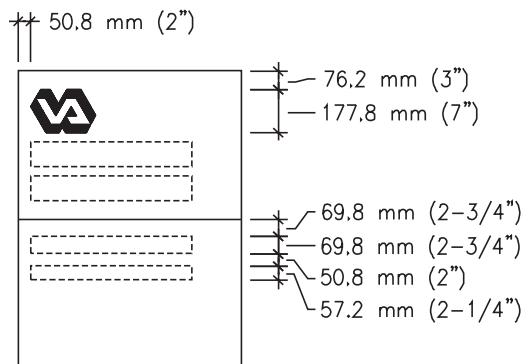
Wall Mounted Building Identification



Message Layout B



Message Layout A



Message Layout C

Wall Mounted Building Identification

Size

Sign Face:
914 mm H x 914 mm W
(3' 0" H x 3' 0" W)

Description

Medium, non-illuminated wall mounted sign. Building identification. When names of the occupant or service are used along with the building number, it should be text that will not likely change.

Message Configuration

(Refer to message layout drawing for dimensions)

Message layouts show application of the sign with building identification number and number with secondary information.

Graphic Process

Surface applied reflective vinyl.

Colors

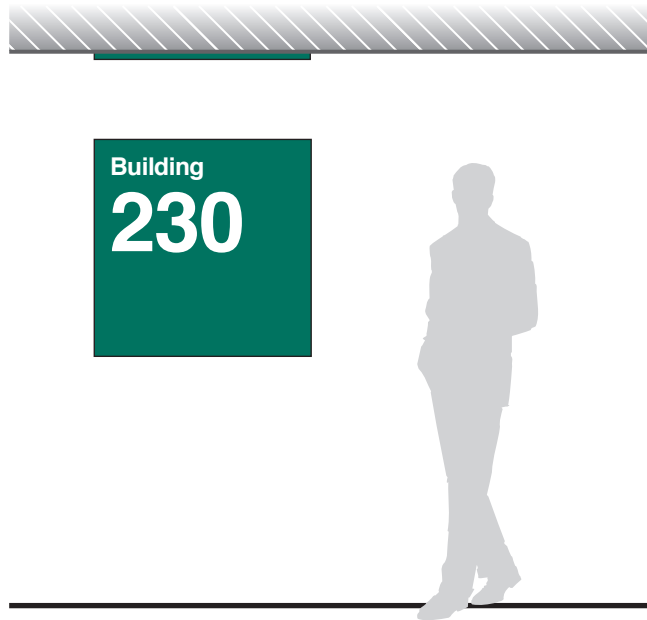
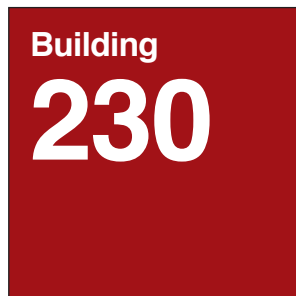
Text: White T2
Background: Refer to Color Chart

Recommendations

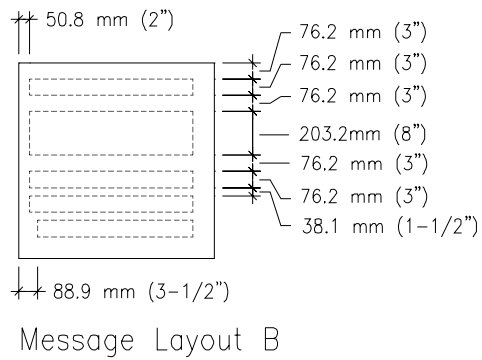
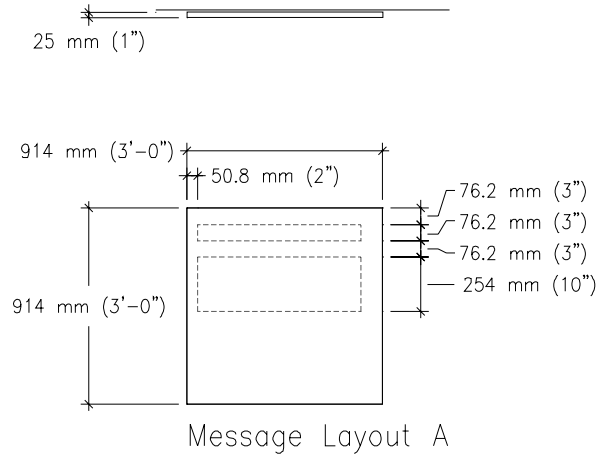
Use on a building that is set back a considerable distance from the roadway.

Position the sign adjacent to or above the main entrance, if possible. If the sign is not readable in this position, then locate on the corner of the building.

This large sign should not be used on small buildings or buildings with minor uses.

**Message Layout A****Message Layout B**

Wall Mounted Building Identification



EN-06.05

Non-Illuminated Exterior Sign

Wall Mounted Building Identification

Size

Sign Face:
914 mm H x 610 mm W
(3' 0" H x 2' 0" W)

Description

Standard size, non-illuminated wall mounted sign with separate name panel. Building identification with and without names of the occupant or service. The secondary name of the occupant or service is on a changeable panel to allow modification to the sign without changing the entire sign.

Message Configuration

(Refer to message layout drawing for dimensions)

Message layouts show application of the sign with building identification number and number with secondary information.

Graphic Process

Surface applied reflective vinyl.

Colors

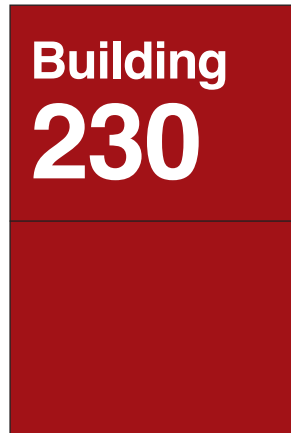
Text: White T2
Background: Refer to Color Chart

Recommendations

Use on any building.
Position the sign adjacent to or above the main entrance, if possible. If the sign is not readable in this position, then locate on the corner of the building.



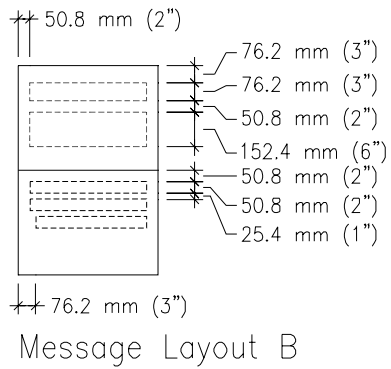
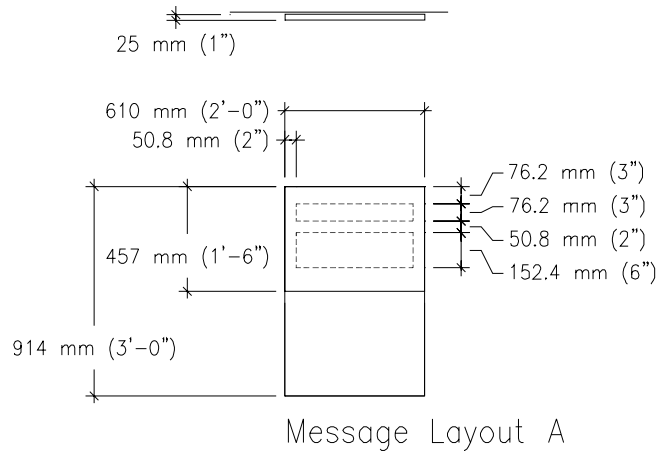
Message Layout A



Message Layout B



Wall Mounted Building Identification



EN-06.06

Non-Illuminated Exterior Sign

Wall Mounted Building Identification

Size

Sign Face:
610 mm H x 610 mm W
(2' 0" H x 2' 0" W)

Description

Standard size, non-illuminated wall mounted sign. Building identification with and without names of the occupant or service.

Message Configuration

(Refer to message layout drawing for dimensions)

Message layouts show application of the sign with building identification number and number with secondary information.

Graphic Process

Surface applied reflective vinyl.

Colors

Text: White T2
Background: Refer to Color Chart

Recommendations

Use on any building.
Position the sign adjacent to or above the main entrance, if possible. If the sign is not readable in this position, then locate on the corner of the building.



Message Layout A

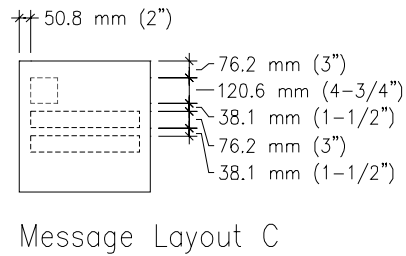
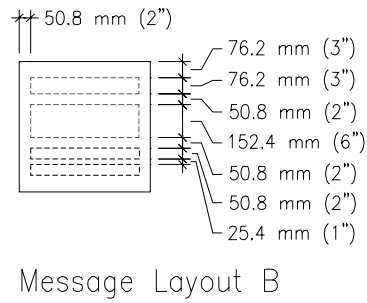
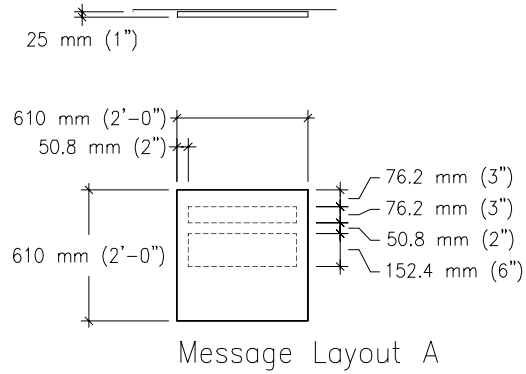


Message Layout B



Message Layout C





EN-06.07

Non-Illuminated Exterior Sign

Wall Mounted Informational

Size

Sign Face:
457 mm H x 457 mm W
(1' 6" H x 1' 6" W)

Description

Small, non-illuminated wall mounted sign. This sign is for miscellaneous uses such as identifying minor entrances, information messages, identifying sheds and equipment buildings, etc.

Message Configuration

(Refer to message layout drawing for dimensions)

Message layouts show ideas of type sizes relative to possible different uses and application of the sign type.

Graphic Process

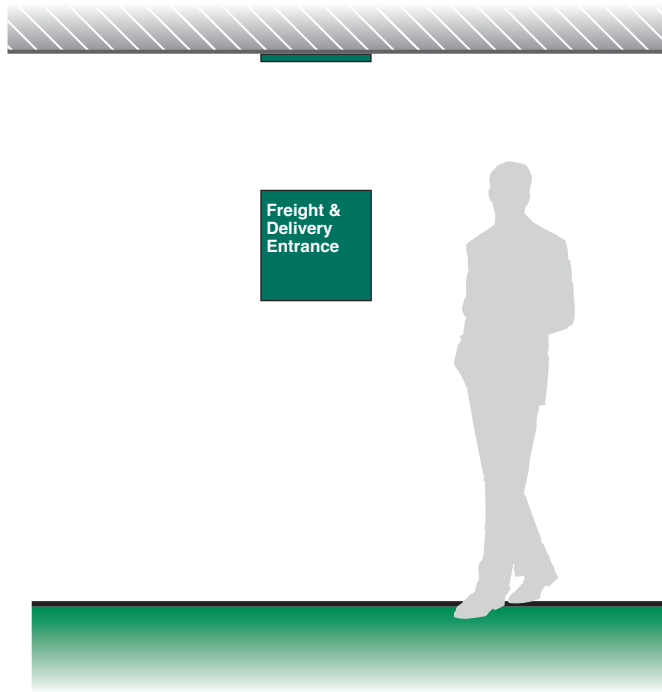
Surface applied reflective vinyl.

Colors

Text: White T2
Background: Refer to Color Chart

Recommendations

Use for general purpose minor sign needs.



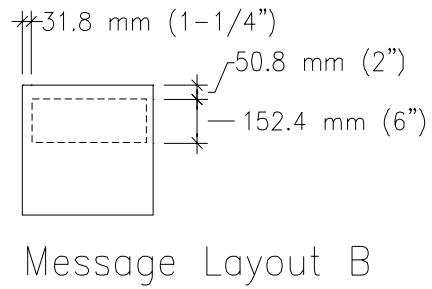
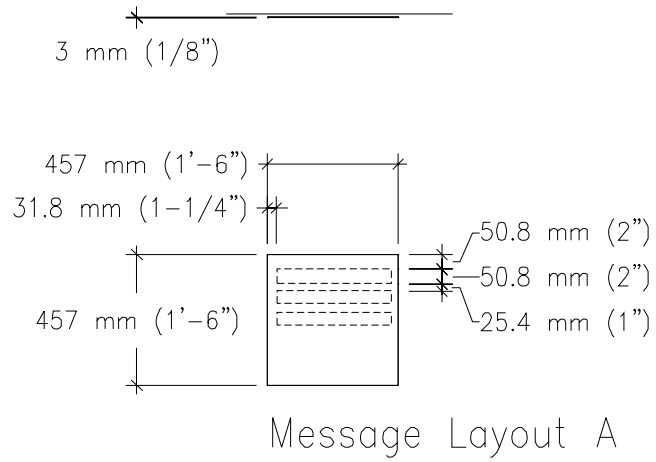
Message Layout A



Message Layout B



Wall Mounted Informational



EN-06.08

Non-Illuminated Exterior Sign

Wall Mounted Informational

Size

Sign Face:
457 mm H x 305 mm W
(1' 6" H x 1' 0" W)

Description

Minor informational, non-illuminated wall mounted sign. This sign is for miscellaneous uses such as identifying minor entrances, information messages, identifying sheds and equipment buildings, etc.

Message Configuration

(Refer to message layout drawing for dimensions)

Message layouts show ideas of type sizes relative to possible different uses and application of the sign type.

Graphic Process

Surface applied reflective vinyl.

Colors

Text: White T2
Background: Refer to Color Chart

Recommendations

Use for general purpose minor sign needs.



Message Layout A



Message Layout B



Message Layout C



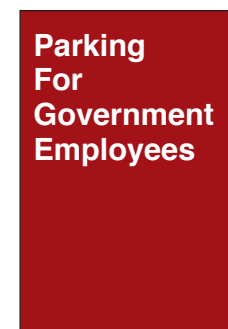
Message Layout D



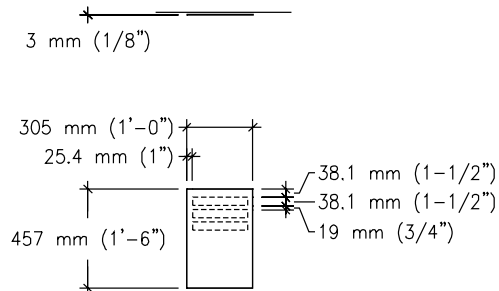
Message Layout E



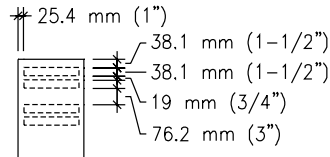
Message Layout F



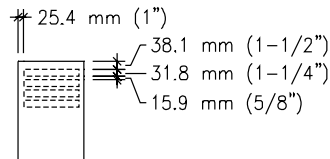
Wall Mounted Informational



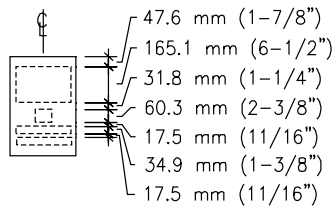
Message Layout A



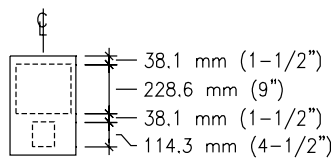
Message Layout B



Message Layout C



Message Layout D



Message Layout E

EN-07.01

Non-Illuminated Exterior Sign

Large You Are Here Map

Size

Sign Face:
1829 mm H x 1524 mm W
(6' 0" H x 5' 0" W)

Overall Sign Height:
2590 mm (8' 6")

Description

Large, non-illuminated campus orientation "You Are Here" map sign with map and messages directed specifically to drivers. Only use if the sign can be positioned so drivers can stop their car out of traffic and have a clear, unobstructed view of the sign.

Message Configuration

(Refer to message layout drawing for dimensions)

Map art is custom to each site and should be made as large as possible on the sign.

Graphic Process

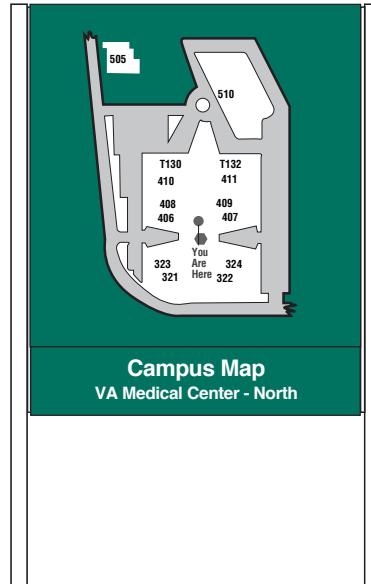
Surface applied reflective vinyl for text. Map is surface silkscreened or large format "printer/plotter" print on vinyl with UV resistant ink and clear UV resistant overcoat.

Colors

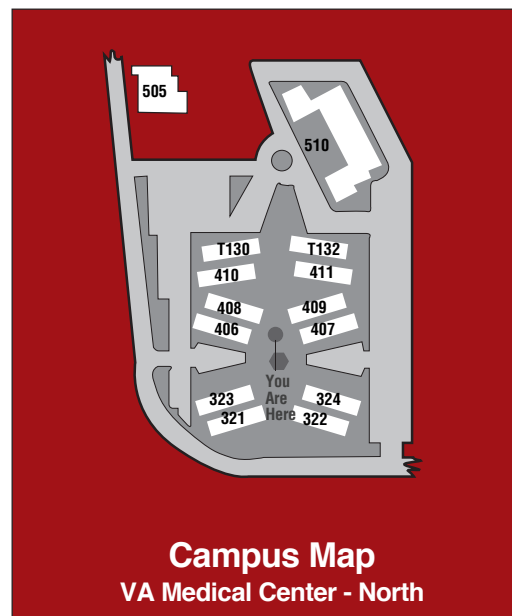
Text: White T2; necessary colors to create map
Background: Refer to Color Chart
Post: Refer to color chart

Recommendations

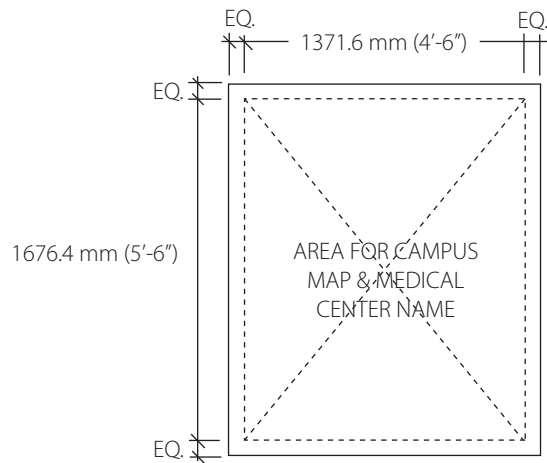
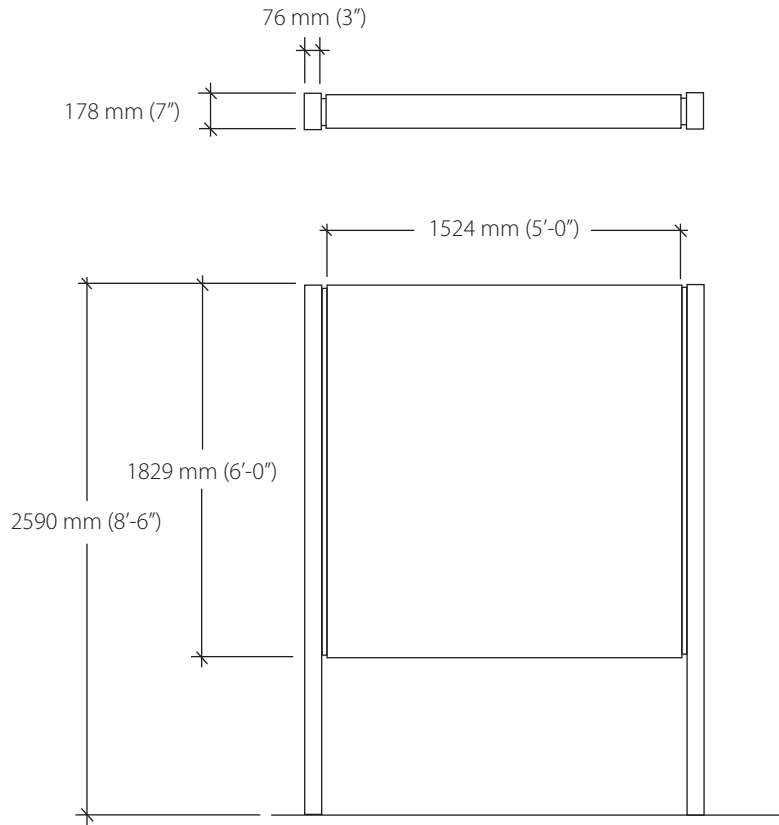
Use this type of sign for maps that are to be viewed from within a car. The campus map should be very simple showing only streets with their names, parking lots and buildings with their number. Map should be positioned and oriented in the direction that is being viewed.



Message Layout A



Large You Are Here Map



Message Layout

EN-07.02

Non-Illuminated Exterior Sign

Small You Are Here Map

Size

Sign Face:
914 mm H x 1219 mm W
(3' 0" H x 4' 0" W)

Overall Sign Height:
1676 mm (5' 6")

Description

Small, non-illuminated campus orientation map "You Are Here" map sign with map and messages directed specifically to pedestrians. Only use if the sign can be positioned so pedestrians can have an unobstructed view of the sign.

Message Configuration

(Refer to message layout drawing for dimensions)

Map art is custom to each site and should be made as large as possible on the sign.

Graphic Process

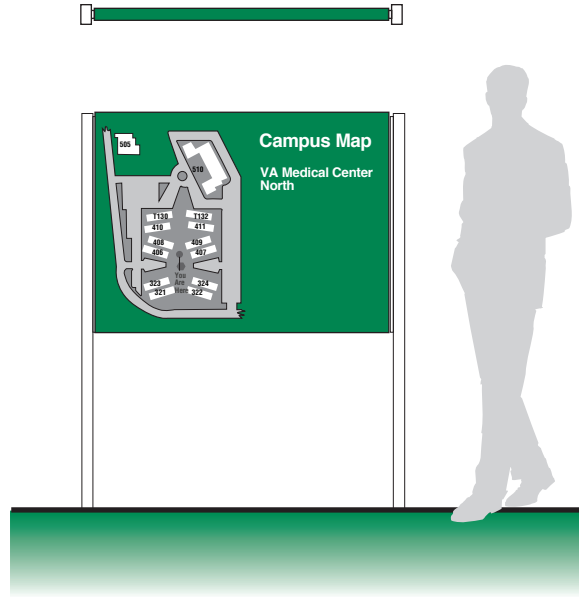
Surface applied reflective vinyl for text. Map is surface silkscreened or large format "printer/plotter" print on vinyl with UV resistant ink and clear UV resistant overcoat.

Colors

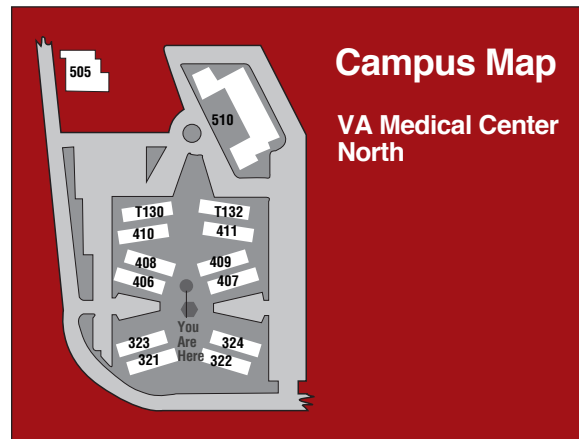
Text: White T2: necessary colors to create map
Background: Refer to Color Chart
Post: Refer to Color Chart

Recommendations

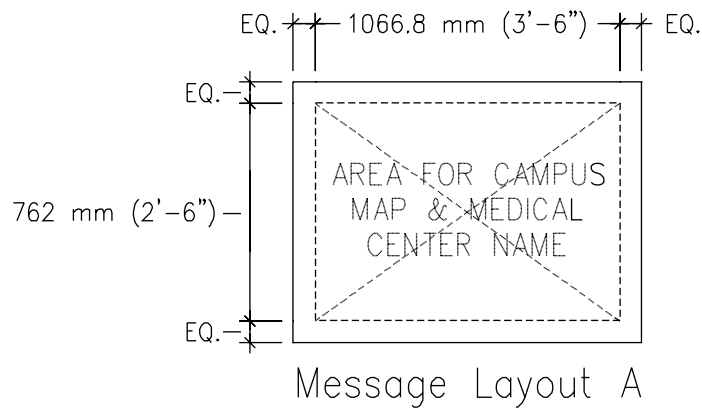
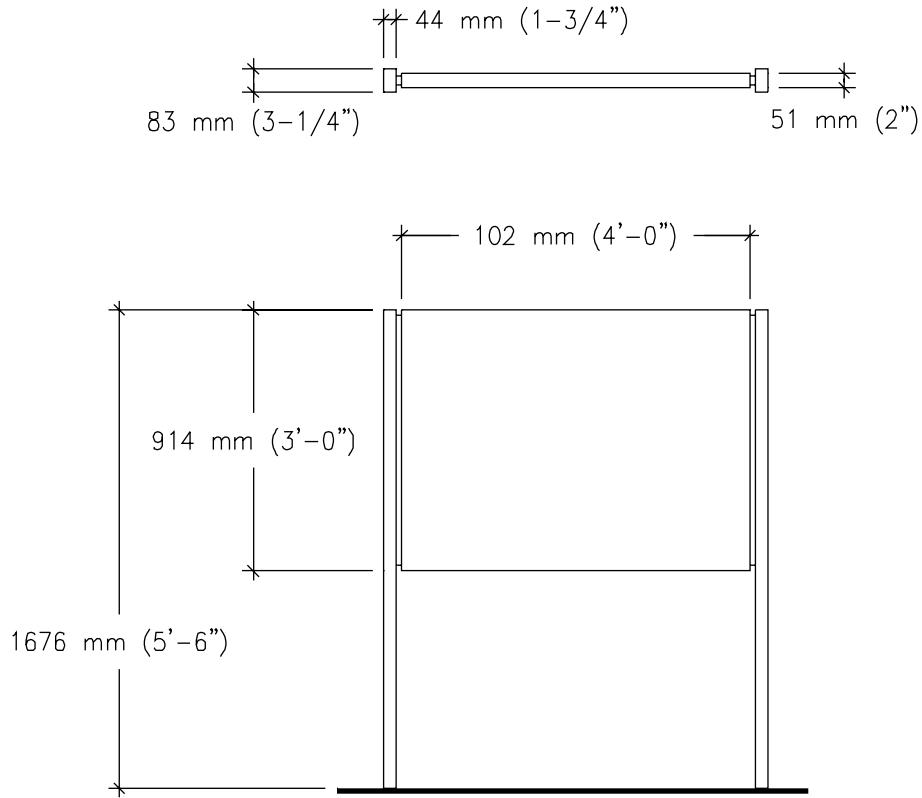
Use this type of sign for maps that are to be viewed by pedestrians. The campus map should be very simple showing only streets with their names, parking lots and buildings with their number. Map should be positioned and oriented in the direction that is being viewed.



Message Layout A



Small You Are Here Map



EN-08.01

Non-Illuminated Exterior Sign

Wall Mounted Ambulance Entrance Identification

Size

Sign Face:
610 mm H x 2438 mm W
(2' 0" H x 8' 0" W)

Description

Overhead, non-illuminated wall mounted sign to be placed above the ambulance entrance.

Message Configuration

(Refer to message layout drawing for dimensions)

Conform to the layout shown.

Graphic Process

Surface applied reflective vinyl.

Colors

Background: Text: White T2
Symbol Background: White T2
Background: Red B3.

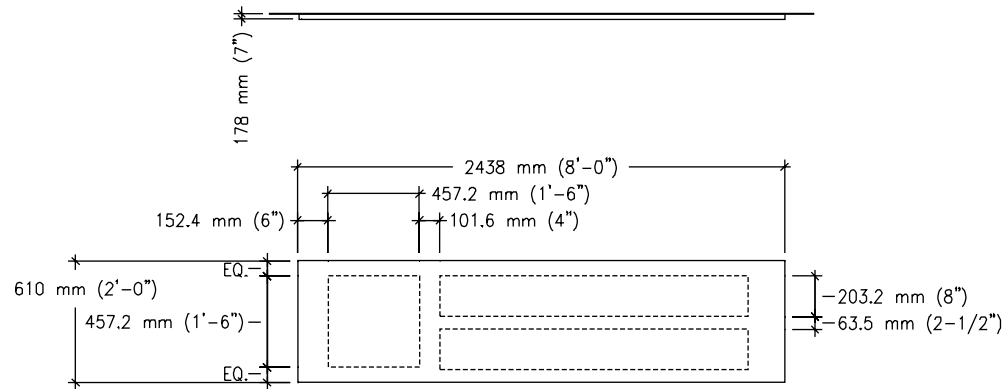
Recommendations

Place sign in a position of the building where it clearly identifies the "Ambulance Entrance" and is visible to both vehicles and pedestrians.



Message Layout A





Message Layout A

EN-08.02

Non-Illuminated Exterior Sign

Wall Mounted Ambulance Entrance Identification

Size

Sign Face:
914 mm H x 1219 mm W
(3' 0" H x 4' 0" W)

Description

Non-illuminated wall mounted sign to be placed on the wall adjacent to the ambulance entrance.

Message Configuration

(Refer to message layout drawing for dimensions)

Conform to the layouts shown.

Graphic Process

Surface applied reflective vinyl.

Colors

Text: White T2
Symbol Background: White T2
Background: Red B3

Recommendations

Place sign in a position of the building where it clearly identifies the "Ambulance Entrance" and is visible to both vehicles and pedestrians.

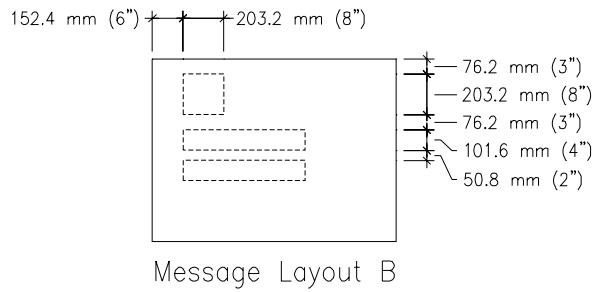
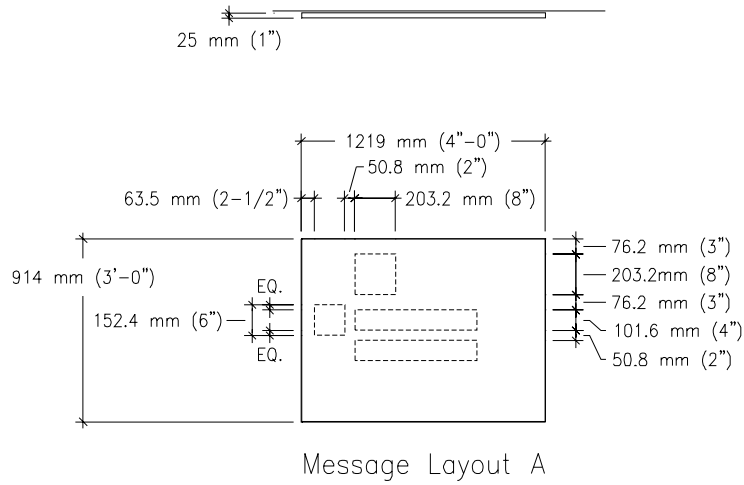


Message Layout A



Message Layout B





EN-08.03

Non-Illuminated Exterior Sign

Post and Panel Ambulance Entrance Identification

Size

Sign Face:
914 mm H x 1219 mm W
(3' 0" H x 4' 0" W)

Overall Sign Height:
1676 mm (5' 6")

Description

Non-illuminated post and panel sign to be placed on the roadway, adjacent to the ambulance entrance to direct ambulance drivers to the correct building entrance.

Message Configuration

(Refer to message layout drawing for dimensions)

Conform to the layouts shown.

Graphic Process

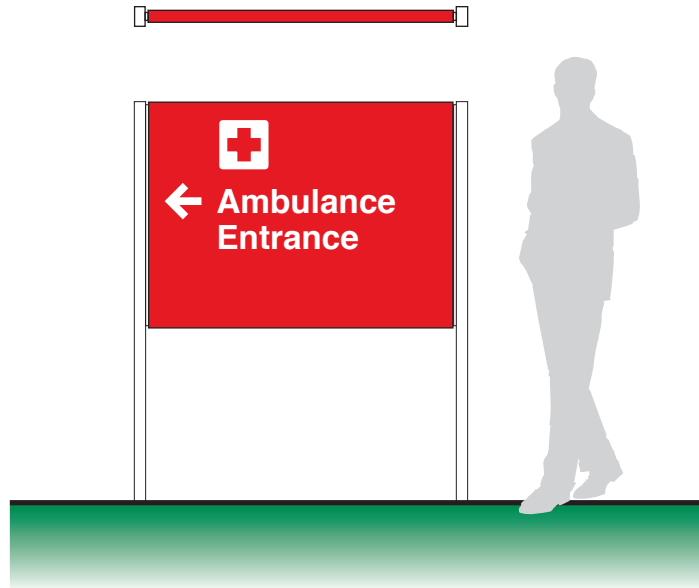
Surface applied reflective vinyl.

Colors

Text: White T2
Symbol Background: White T2
Background: Red B3
Post: Refer to Color Chart

Recommendations

Position sign so drivers have a clear, unobstructed view of the sign.

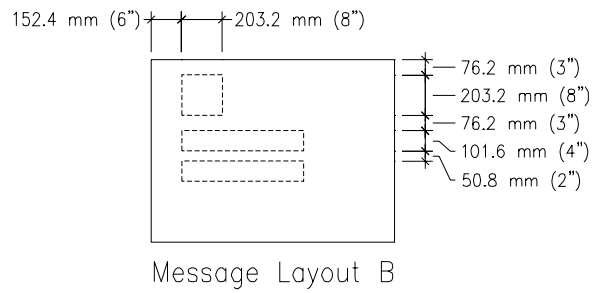
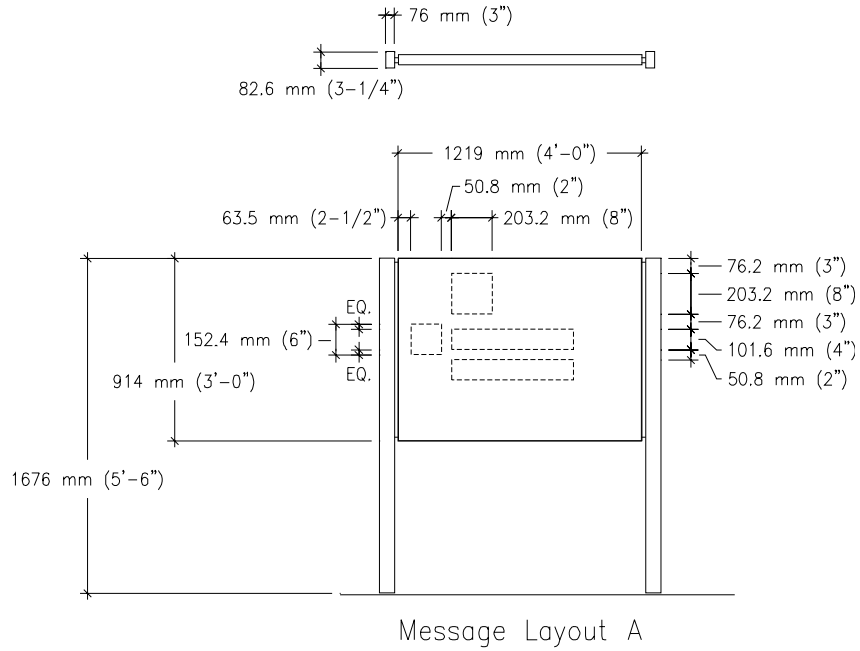


Message Layout A



Message Layout B





Dimensional Letters

Size

For the various sizes, refer to the adjacent table.

Description

Non-illuminated dimensional letters and logo for identifying a facility and should be placed on the medical center building in a location that is highly visible to the public.

Message Configuration

(Refer to message layout drawing for dimensions)

Letters used with the logo should read "Medical Center," Outpatient Center" or "Veterans Affairs."

Graphic Process

Fabricated or cut out of aluminum letters

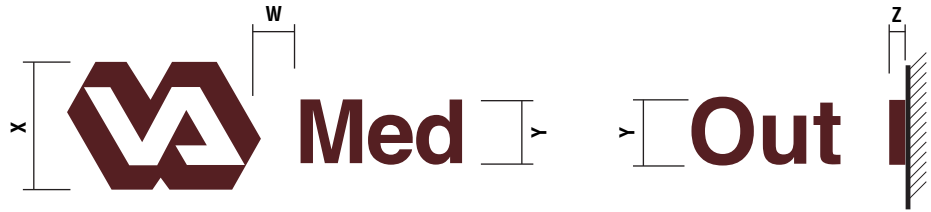
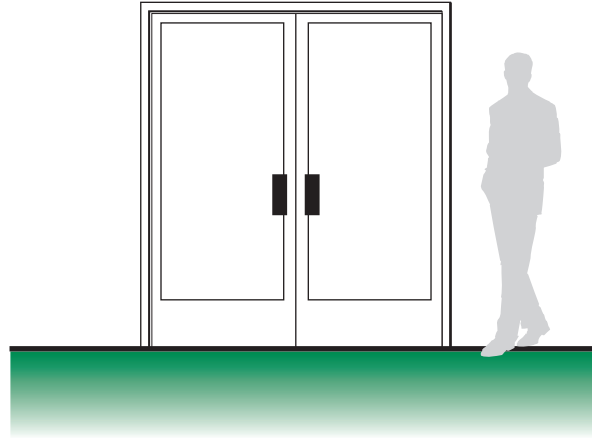
Colors

Text: P1, P2, or P3

Recommendations

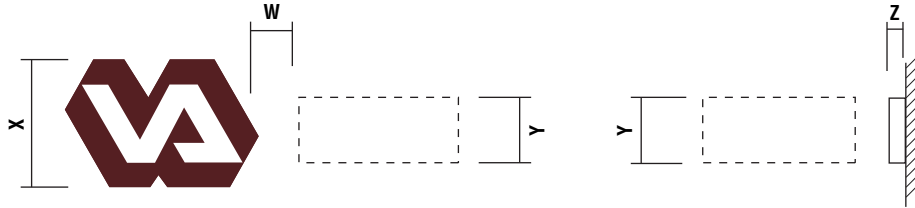
Dimensional letters can be used on a building to identify the building. Large letters and logo are intended for use on the top of the building as a skyline sign.

Outpatient Entrance



Sign Type	Y	Z	X	W
EN09.1	100 mm (4")	10 mm (3/8")		
EN09.2	150 mm (6")	10 mm (3/8")		
EN09.3	200 mm (8")	13 mm (1/2")		
EN09.4	250 mm (10")	13 mm (1/2")	575 mm (23")	190 mm (7 1/2")
EN09.5	300 mm (12")	19 mm (3/4")	675 mm (27")	225 mm (9")
EN09.6	450 mm (18")	25 mm (1")	1050 mm (42")	350 mm (14")
EN09.7	600 mm (24")	50 mm (2")	1350 mm (56")	475 mm (19")
EN09.8	750 mm (30")	65 mm (2 1/2")	1800 mm (70")	575 mm (23")
EN09.9	900 mm (36")	75 mm (3")	2100 mm (84")	700 mm (28")

Dimensional Letters



Sign Type	Y	Z	X	W
EN09.1	100 mm (4")	10 mm (3/8")		
EN09.2	150 mm (6")	10 mm (3/8")		
EN09.3	200 mm (8")	13 mm (1/2")		
EN09.4	250 mm (10")	13 mm (1/2")	575 mm (23")	190 mm (7 1/2")
EN09.5	300 mm (12")	19 mm (3/4")	675 mm (27")	225 mm (9")
EN09.6	450 mm (18")	25 mm (1")	1050 mm (42")	350 mm (14")
EN09.7	600 mm (24")	50 mm (2")	1350 mm (56")	475 mm (19")
EN09.8	750 mm (30")	65 mm (2 1/2")	1800 mm (70")	575 mm (23")
EN09.9	900 mm (36")	75 mm (3")	2100 mm (84")	700 mm (28")

Traffic Regulatory Signs

Size

- EN10.1 - Stop (R1-1): 24", 30", 36"
- EN10.2 - Do Not Enter (R5-1): 30", 36"
- EN10.3 - Yield (R1-2): 30", 36"
- EN10.4 - Speed Limit (R2-8)
- EN10.5 - Keep Right (R4-7A)
- EN10.6 - One Way (R6-2L, R6-2R)
- EN10.7 - No Right/Left Turn (R3-1R, R3-2L)
- EN10.8 - No U Turn (R3-4)
- EN10.9 - Pedestrian Crossing (W11-2A)

Description

Traffic regulatory signs

Sign Use & Application

The "Manual on Uniform Traffic Control Devices for Streets and Highways" has been adopted as the standard for all Regulatory and Warning Signs used on the Department of Veterans Affairs roadways for vehicular traffic.

Message Configuration

(Refer to message layout drawing for dimensions)

Text, text size, text position and color must conform with MUTCD

Colors

Text & Background: "MUTCD" standard colors;
Post: Refer to color chart.

Recommendations

Display the most commonly used signs as indicated. If other Traffic Regulatory and Warning Signs are need, refer to MUTCD.

Position sign so drivers have a clear, unobstructed view of the sign.

It should be noted that the decision to use a particular traffic control device at a specific location should be made on the basis of a standard traffic engineering study of the location. Sign size should be based on traffic conditions. Where these conditions are the same, all signs of a similar type should be the same size.



EN10.1



EN10.2



EN10.3



EN10.4



EN10.5



EN10.6



EN10.7

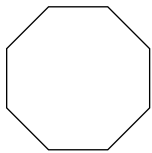
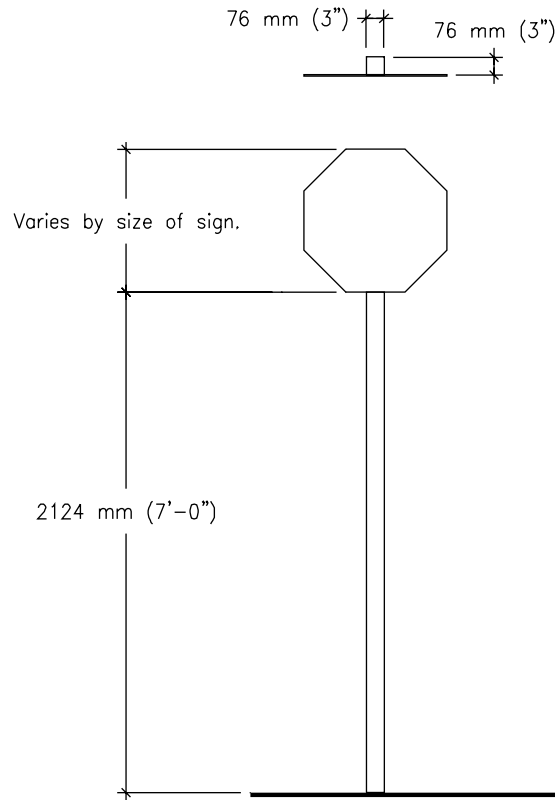


EN10.8



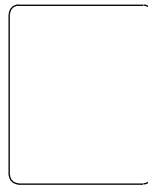
EN10.9





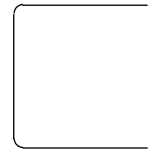
EN10.1

610mm x 610mm
(24" x 24")
762mm x 762mm
(30" x 30")
914mm x 914
(36" x 36")



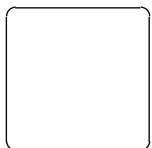
EN10.4
EN10.5
EN10.6

610mm x 762mm
(24" x 30")



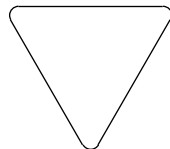
EN10.7
EN10.8

610mm x 610mm
(24" x 24")



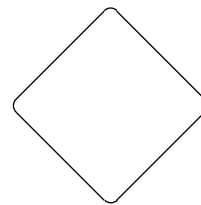
EN10.2

762mm x 762mm
(30" x 30")
914mm x 914mm
(36" x 36")



EN10.3

732mm Triangle
(30" Triangle)
914mm Triangle
(36" Triangle)



EN10.9

610mm x 610mm
(24" x 24")

EN-11.01

Non-Illuminated Exterior Sign

2 Blade Street Sign

Size

Blade: 152 mm H x 610 mm W
(6" H x 2'-0" W)
152 mm H x 762 mm W
(6" H x 2'-6" W)
152 mm H x 914 mm W
(6" H x 3'-0" W)

Description

Non-illuminated double blade name sign for an intersection

Message Configuration

(Refer to message layout drawing for dimensions)

Select size required for length of name. Message will be the same on both sides of the sign blade. The following are some standard abbreviations: Boulevard - BLVD; Circle - CIR; Court - CT; Drive - DR; Avenue - AVE; Lane - LN; Place - PL; Road - RD; Street - ST; Terrace - TERR.

Graphic Process

Surface applied reflective vinyl.

Colors

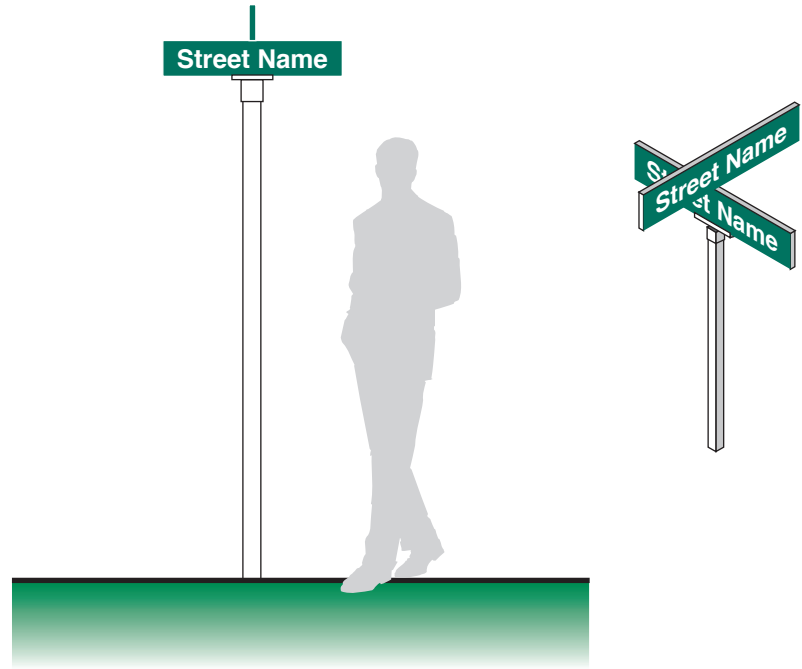
Text: White T2
Background: Refer to Color Chart
Post: Refer to Color Chart

Typography

Helvetica Medium Condensed

Recommendations

Position sign so drivers have a clear, unobstructed view of the sign. Locate as close to intersection as possible.



Message Layout A

Main St.

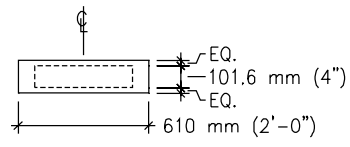
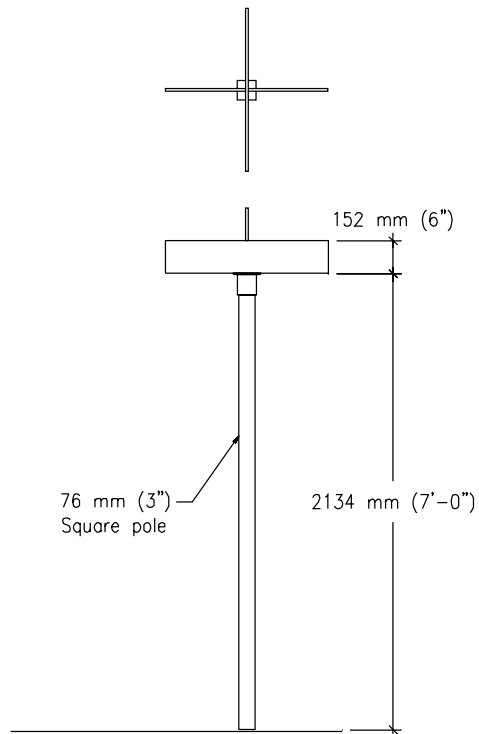
Message Layout B

Main Street

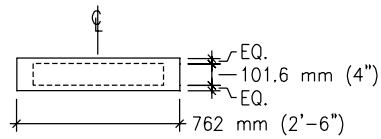
Message Layout C

N. Main Street

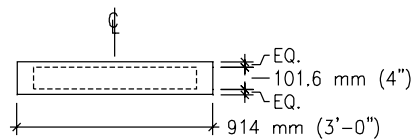
2 Blade Street Sign



Message Layout A



Message Layout B



Message Layout C

EN-11.02

Non-Illuminated Exterior Sign

1 Blade Street Sign

Size

Blade: 152 mm H x 610 mm W
(6" H x 2' 0" W)
152 mm H x 762 mm W
(6" H x 2'-6" W)
152 mm H x 914 mm W
(6" H x 3'-0" W)

Description

Tall, Non-illuminated single blade street name identification for a single street

Message Configuration

(Refer to message layout drawing for dimensions)

Select size required for length of name. Message will be the same on both sides of the sign blade. The following are some standard abbreviations: Boulevard - BLVD; Circle - CIR; Court - CT; Drive - DR; Avenue - AVE; Lane - LN; Place - PL; Road - RD; Street - ST; Terrace - TERR.

Graphic Process

Surface applied reflective vinyl.

Colors

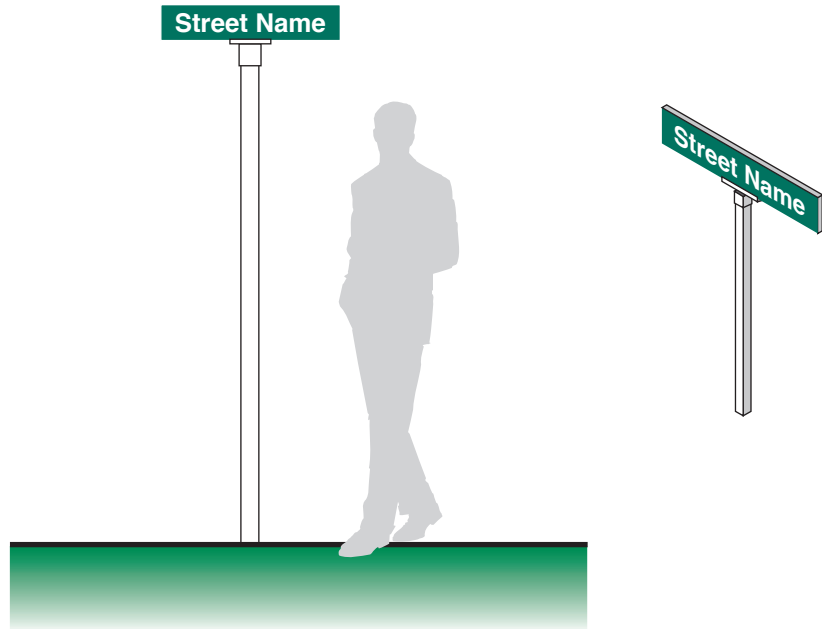
Text: White T2
Background: Refer to Color Chart
Post: Refer to Color Chart

Typography

Helvetica Medium Condensed

Recommendations

Position sign so drivers have a clear, unobstructed view of the sign. Locate as close to intersection as possible.



Message Layout A

Main St.

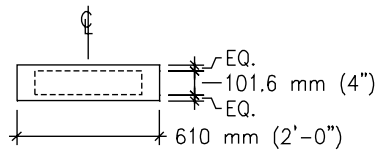
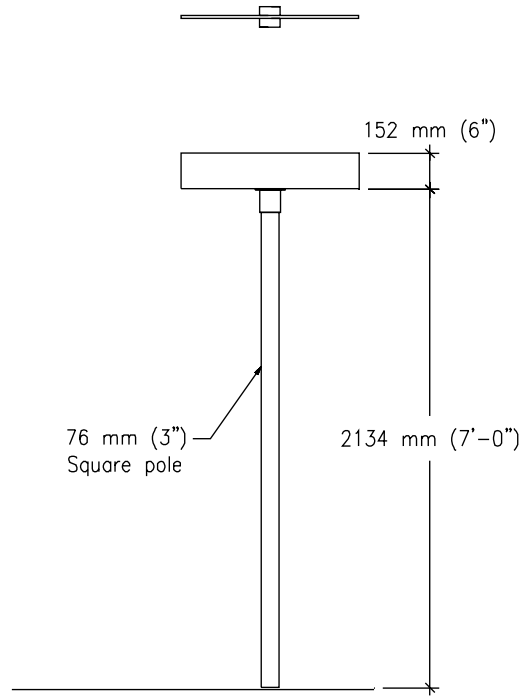
Message Layout B

Main Street

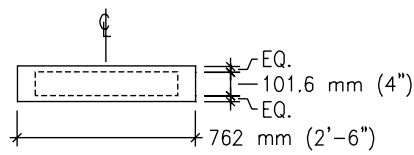
Message Layout C

N. Main Street

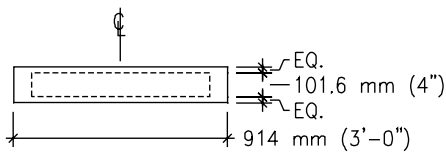
1 Blade Street Sign



Message Layout A



Message Layout B



Message Layout C

EN-11.03

Non-Illuminated Exterior Sign

Pylon Street Sign

Size

Blade: 1524 mm H x 152 mm W x 152 mm D,
(5'-0" H x 6" W x 6" D)

Description

Non-illuminated Pylon type Street Sign

Message Configuration

(Refer to message layout drawing for dimensions)

The same message will be the opposite sides of the post. The name always starts at the top of the post and has been rotated clockwise from the horizontal to vertical.

The following are some standard abbreviations: Boulevard - BLVD; Circle - CIR; Court - CT; Drive - DR; Avenue - AVE; Lane - LN; Place - PL; Road - RD; Street - ST; Terrace - TERR.

Graphic Process

Surface applied reflective vinyl.

Colors

Text: T2

Background: Refer to Color Chart

Post: Refer to Color Chart

Typography

Helvetica Medium Condensed

Recommendations

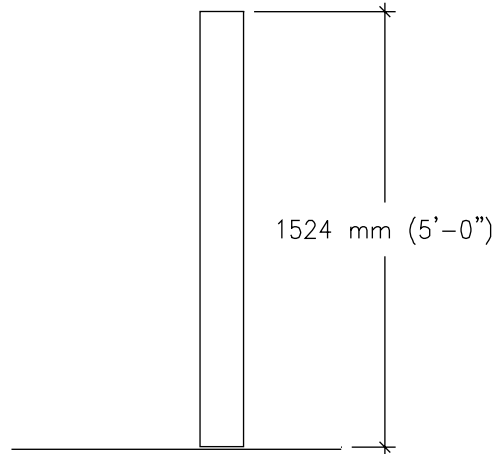
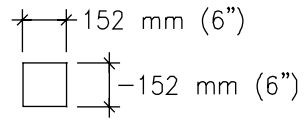
Position sign so drivers have a clear, unobstructed view of the sign. Locate as close to intersection as possible.



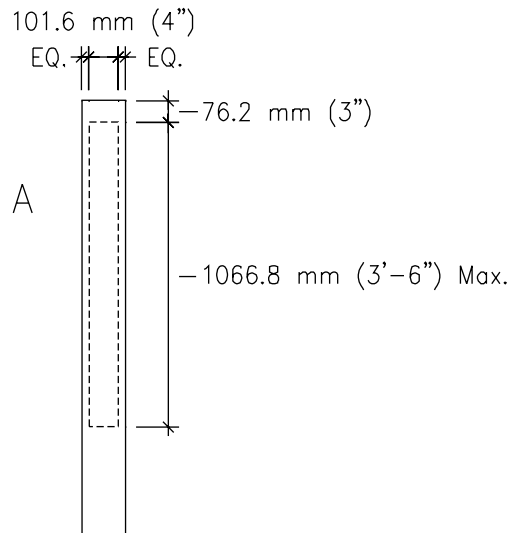
Message Layout

Main Street

Pylon Street Sign



Message Layout A



EN-14

Non-Illuminated Exterior Sign

Building Entrance Door Identification

Size

Sign Characters:

101.6, 44.4, 25.4, 12.7, 31.8 mm H
(4", 1 3/4", 1", 1/2", 1 1/4" H)

Overall Sign Height:
1650 mm (5' 6")

Description

Non-illuminated, applied vinyl identification sign with messages directed specifically to pedestrians. The sign can also be used to identify buildings.

Message Configuration

(Refer to message layout drawing for dimensions)

Message size and layout should adjust to the volume of information being presented. Smaller text than shown should not be used as the messages will be unreadable. Larger text than shown will result in words that may not fit on the sign.

Graphic Process

Surface applied reflective vinyl.

Colors

Text: White T2

Background: Refer to Color Chart

Post: Refer to Color Chart

Recommendations

Position sign so pedestrians have a clear, unobstructed view of the sign.



Department of Veterans Affairs

Baltimore VA Medical Center

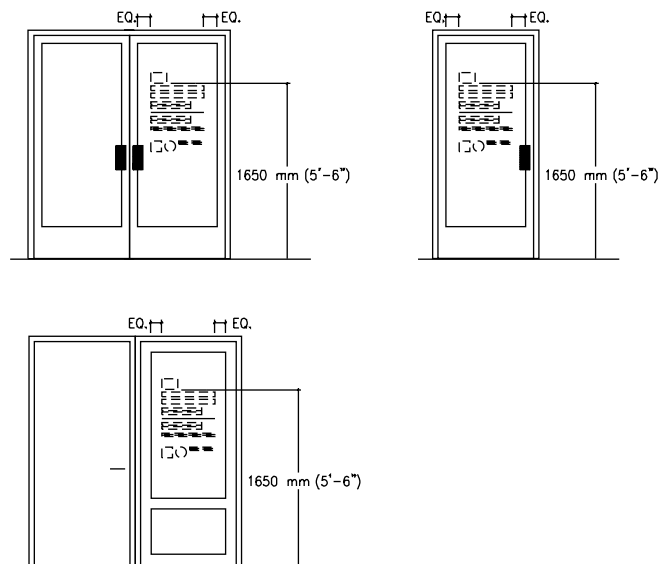
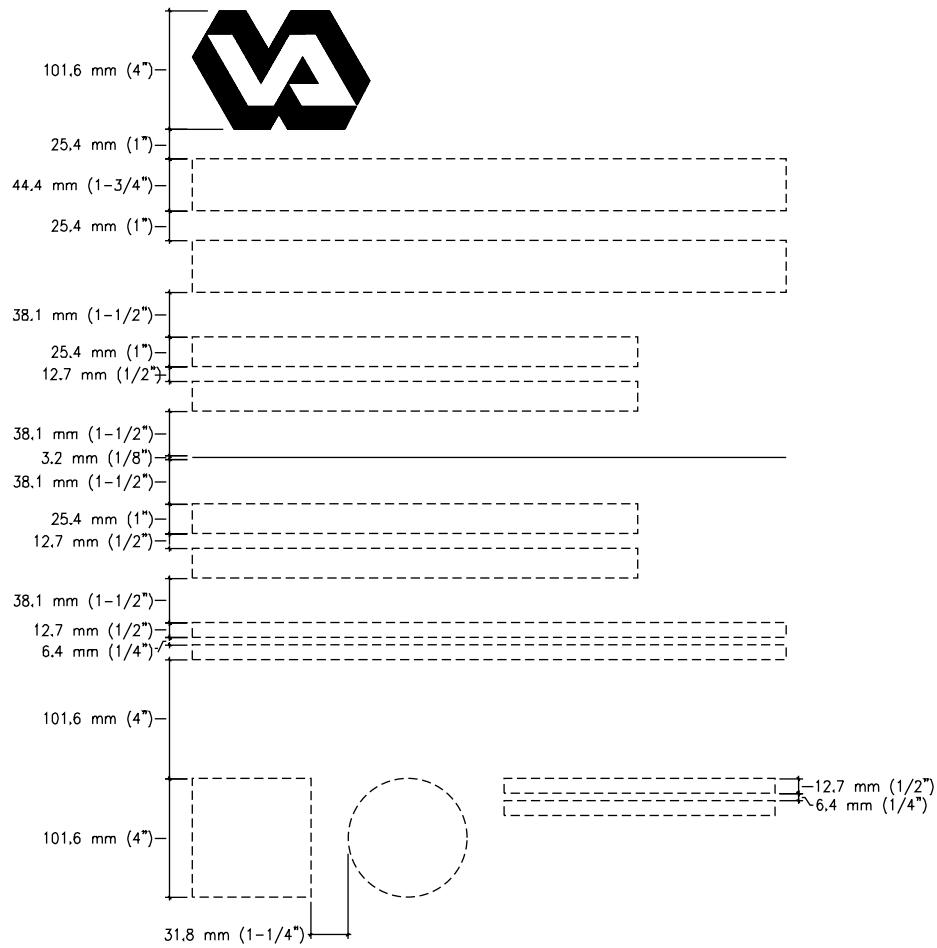
Building 16 Main Entrance

These doors are locked from 6 p.m. to 6 a.m.
When doors are locked, use Ambulance Entrance



Smoking is only permitted outside in designated areas.





EN-15.01

Non-Illuminated Exterior Sign

Post and Panel

National Cemetery Sign

Size

Sign Face:
152 mm H x 915 mm W
(6" H x 3' 0" W)

Overall Sign Height:
915 mm (3' 0")

Description

National Cemetery non-illuminated, post and panel directional sign with messages directed specifically to pedestrians. The sign can also be used to identify buildings.

Message Configuration

(Refer to message layout drawing for dimensions)

Message size and layout should adjust to the volume of information being presented. Smaller text than shown should not be used as the messages will be unreadable. Larger text than shown will result in words that may not fit on the sign.

Graphic Process

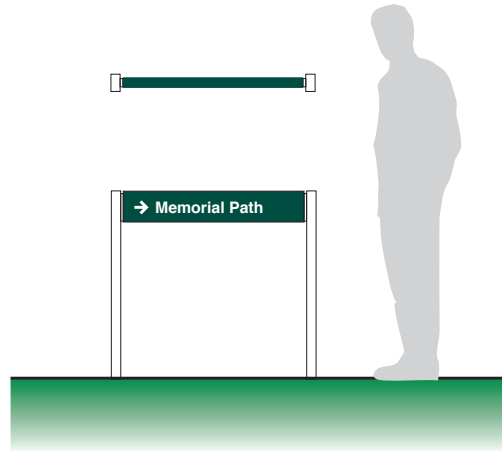
Surface applied reflective vinyl.

Colors

Text: White T2
Background: Refer to Color Chart
Post: Refer to Color Chart

Recommendations

Position sign so pedestrians have a clear, unobstructed view of the sign.



Message Layout A

→ Restrooms ♿

Message Layout B

→ Committal Shelter

→ Exit

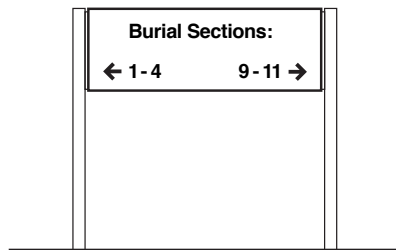
Message Layout C

Committal Shelter A

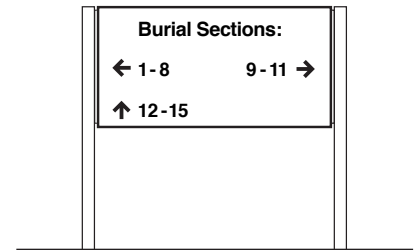
Memorial Pathway

Office

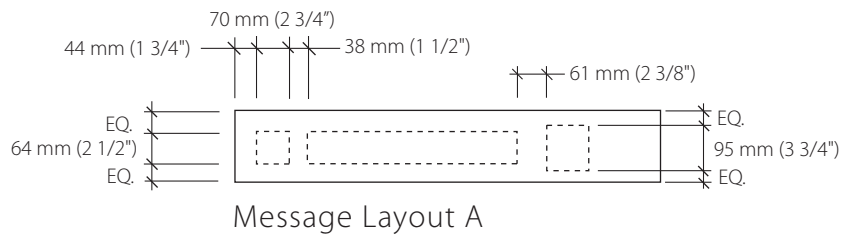
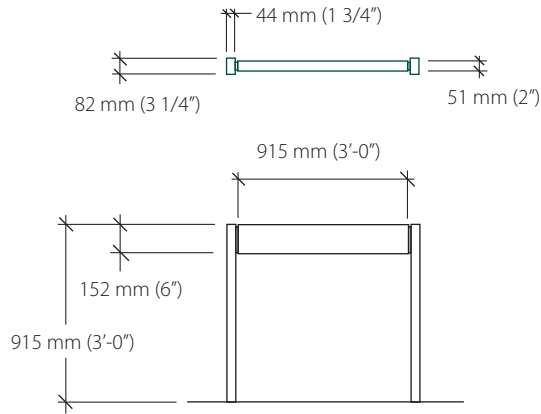
Administration



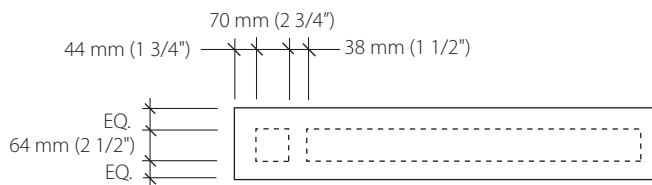
EN15.02



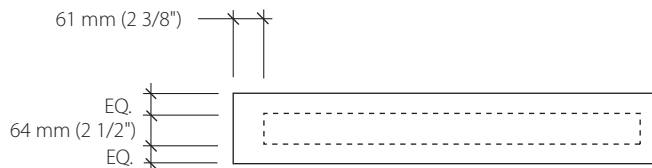
EN15.03



Message Layout A



Message Layout B



Message Layout C

EN-15.02

Non-Illuminated Exterior Sign

Post and Panel

National Cemetery Sign

Size

Sign Face:
305 mm H x 915 mm W
(1' 0" H x 3' 0" W)

Overall Sign Height:
915 mm (3' 0")

Description

Natioanl Cemetery non-illuminated, post and panel directional sign with messages directed specifically to pedestrians. The sign can also be used to identify buildings.

Message Configuration

(Refer to message layout drawing for dimensions)

Message size and layout should adjust to the volume of information being presented. Smaller text than shown should not be used as the messages will be unreadable. Larger text than shown will result in words that may not fit on the sign.

Graphic Process

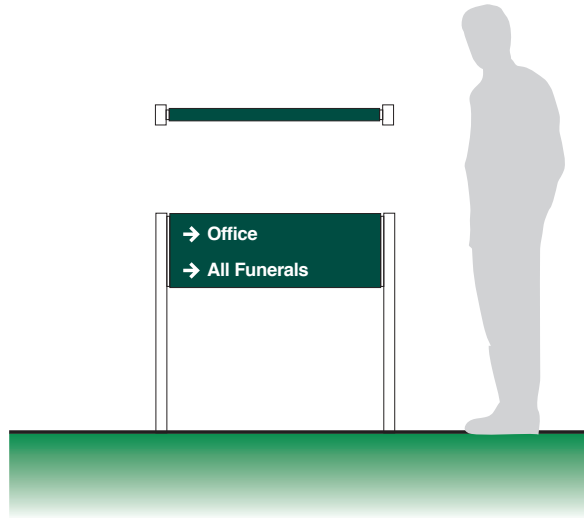
Surface applied reflective vinyl.

Colors

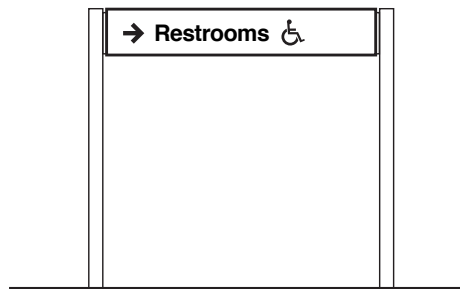
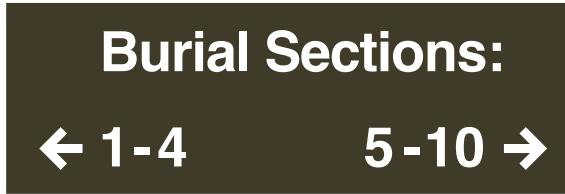
Text: White T2
Background: Refer to Color Chart
Post: Refer to Color Chart

Recommendations

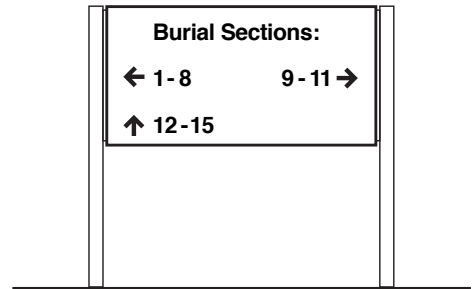
Position sign so pedestrians have a clear, unobstructed view of the sign.



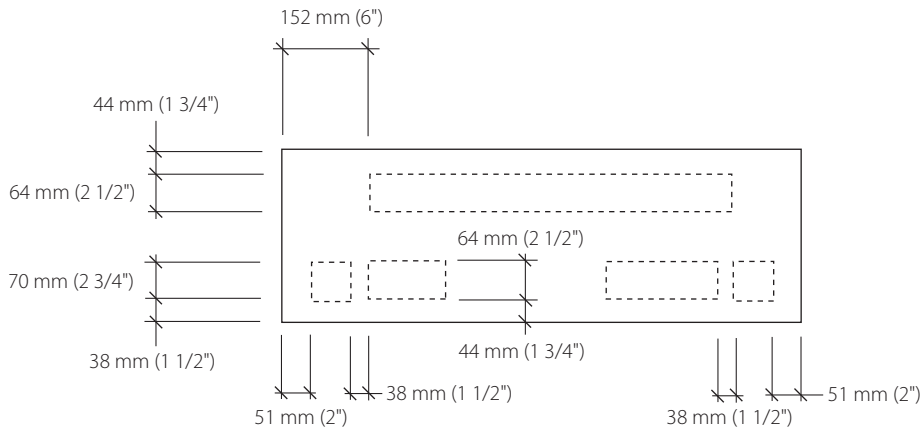
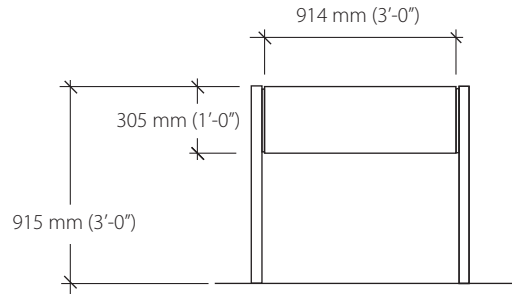
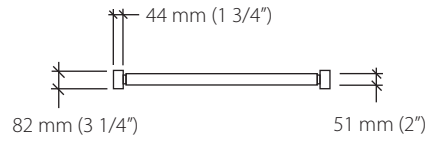
Message Layouts



EN15.01



EN15.03



Message Layout

EN-15.03

Non-Illuminated Exterior Sign

Post and Panel

National Cemetery Sign

Size

Sign Face:
457 mm H x 915 mm W
(1' 6" H x 3' 0" W)

Overall Sign Height:
915 mm (3' 0")

Description

National Cemetery non-illuminated, post and panel directional sign with messages directed specifically to pedestrians. The sign can also be used to identify buildings.

Message Configuration

(Refer to message layout drawing for dimensions)

Message size and layout should adjust to the volume of information being presented. Smaller text than shown should not be used as the messages will be unreadable. Larger text than shown will result in words that may not fit on the sign.

Graphic Process

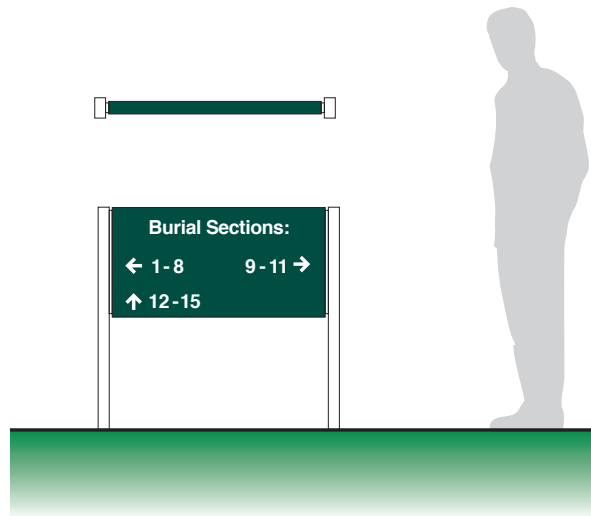
Surface applied reflective vinyl.

Colors

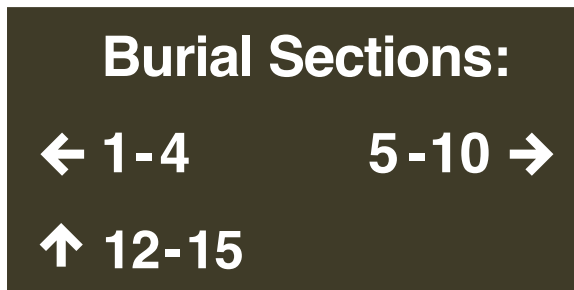
Text: White T2
Background: Refer to Color Chart
Post: Refer to Color Chart

Recommendations

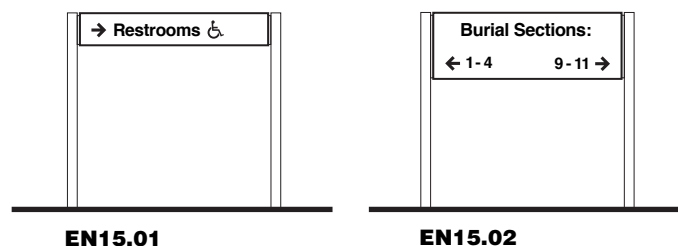
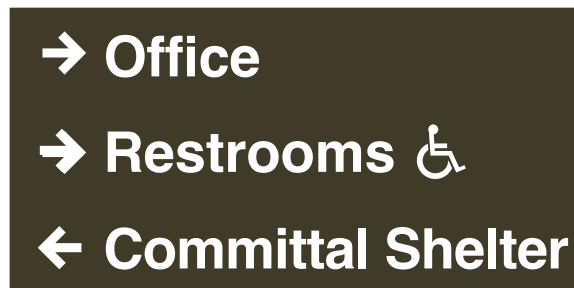
Position sign so pedestrians have a clear, unobstructed view of the sign.

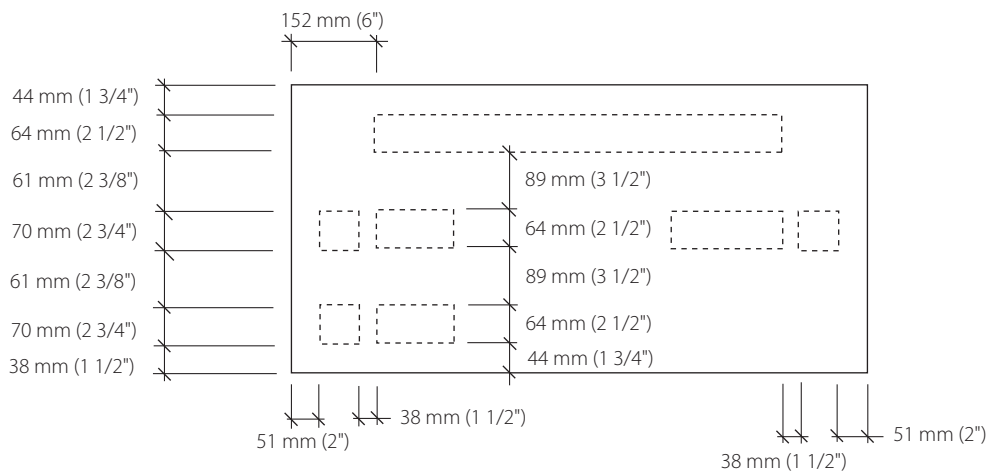
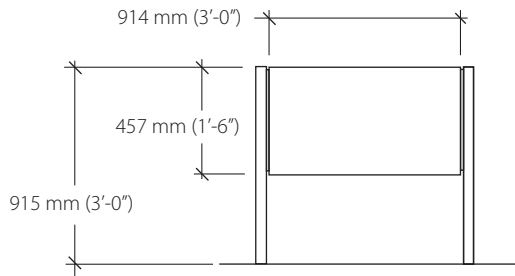
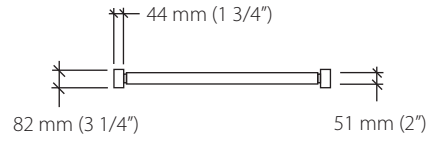


Message Layout A

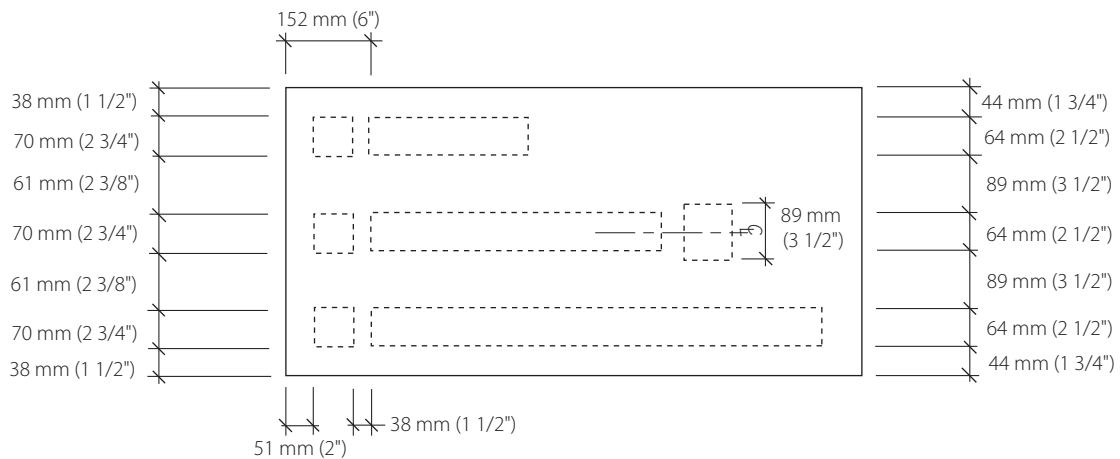


Message Layout B





Message Layout A



Message Layout B

Size

Sign Face:
457 mm H x 610 mm W
(1' 6" H x 2' 0" W)

Overall Sign Height:
915 mm (3' 0")

Description

National Cemetery non-illuminated, post and panel informative sign with message directed specifically to floral regulations.

Message Configuration

(Refer to message layout drawing for dimensions)

Message size and layout should adjust to the volume of information being presented. Smaller text than shown should not be used as the messages will be unreadable. Larger text than shown will result in words that may not fit on the sign.

Graphic Process

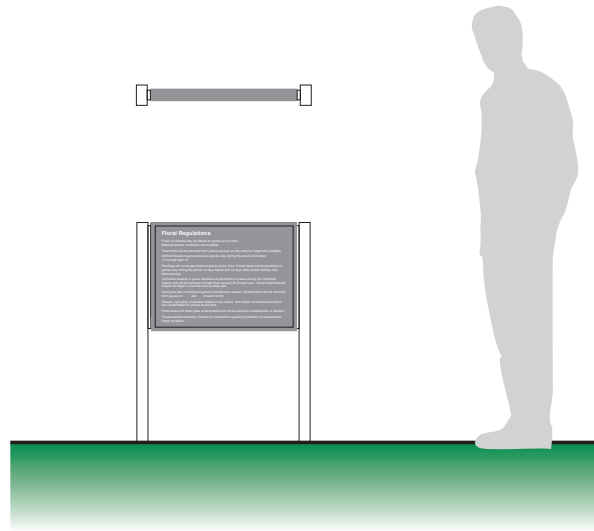
Surface applied vinyl.

Colors

Text: White T2
Background: Refer to Color Chart
Post: Refer to Color Chart

Recommendations

Position sign so viewers have a clear, unobstructed view of the sign.



Message Layout

Floral Regulations

Fresh cut flowers may be placed on graves at any time.
Metal temporary containers are available.

Floral items will be removed from graves as soon as they become faded and unsightly.

Artificial flowers may be placed on graves only during the period of October 10 through April 15.

Plantings will not be permitted on graves at any time. Potted plants will be permitted on graves only during the period 10 days before and 10 days after Easter Sunday and Memorial Day.

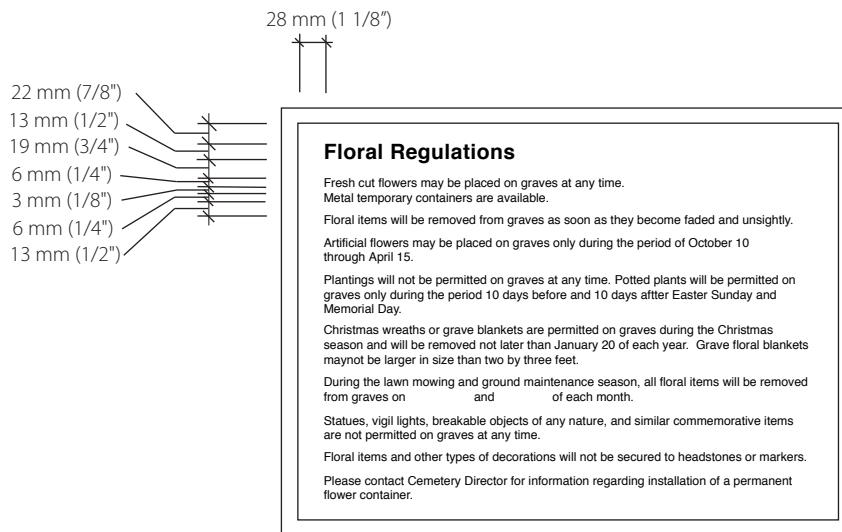
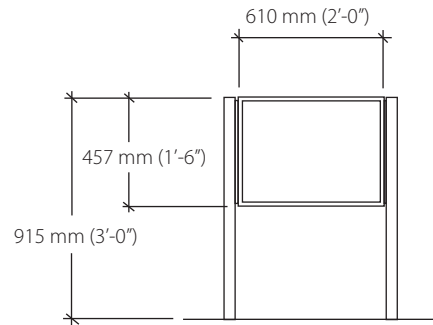
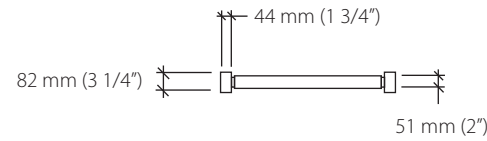
Christmas wreaths or grave blankets are permitted on graves during the Christmas season and will be removed not later than January 20 of each year. Grave floral blankets may not be larger in size than two by three feet.

During the lawn mowing and ground maintenance season, all floral items will be removed from graves on _____ and _____ of each month.

Statues, vigil lights, breakable objects of any nature, and similar commemorative items are not permitted on graves at any time.

Floral items and other types of decorations will not be secured to headstones or markers.

Please contact Cemetery Director for information regarding installation of a permanent flower container.



Message Layout

EN-15.05

Non-Illuminated Exterior Sign

Informational

National Cemetery Sign

Size

Sign Face:
610 mm H x 610 mm W
(2' 0" H x 2' 0" W)

Overall Sign Height:
915 mm (3' 0")

Description

National Cemetery non-illuminated, post and panel directional sign with messages directed specifically to pedestrians. The sign can also be used to identify buildings.

Message Configuration

(Refer to message layout drawing for dimensions)

Message size and layout should adjust to the volume of information being presented. Smaller text than shown should not be used as the messages will be unreadable. Larger text than shown will result in words that may not fit on the sign.

Graphic Process

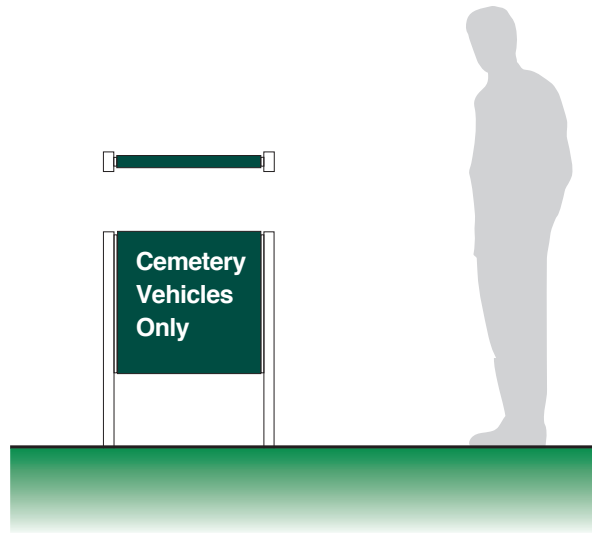
Surface applied reflective vinyl.

Colors

Text: White T2
Background: Refer to Color Chart
Post: Refer to Color Chart

Recommendations

Position sign so pedestrians have a clear, unobstructed view of the sign.



Message Layout A

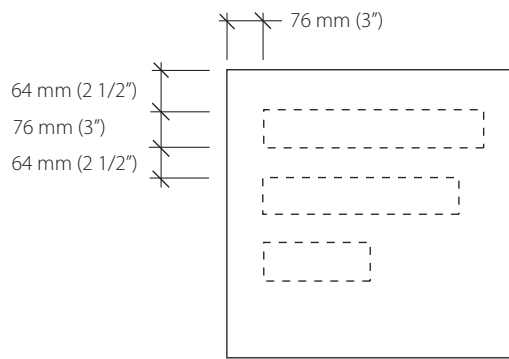
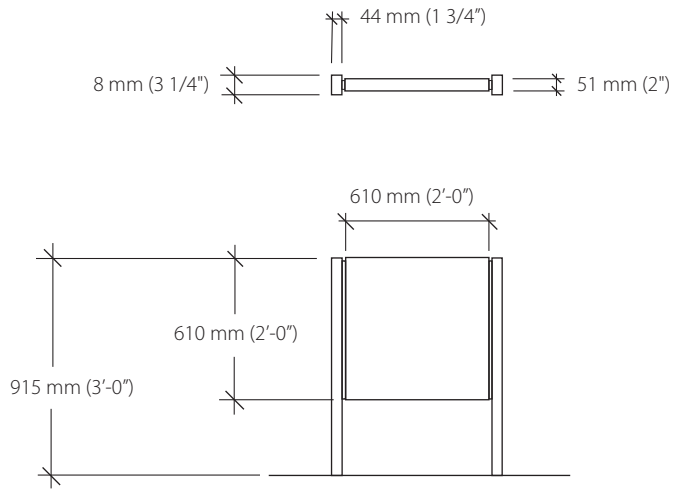


Message Layout B

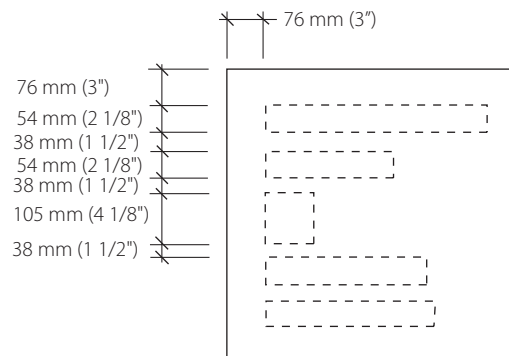


Message Layout C





Message Layout A & B



Message Layout C

EN-15.06

Non-Illuminated Exterior Sign

Section Marker

National Cemetery Sign

Size

Sign Face:
407 mm H x 203 mm W
(1' 4" H x 8" W)

Overall Sign Height:
407 mm (1' 4")

Description

National Cemetery non-illuminated, pylon sign with messages directed specifically to pedestrians.

Message Configuration

(Refer to message layout drawing for dimensions)

Message size and layout should adjust to the volume of information being presented. Smaller text than shown should not be used as the messages will be unreadable. Larger text than shown will result in words that may not fit on the sign.

Graphic Process

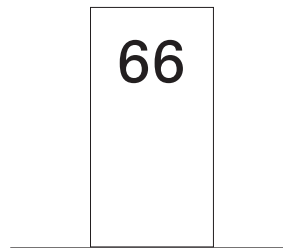
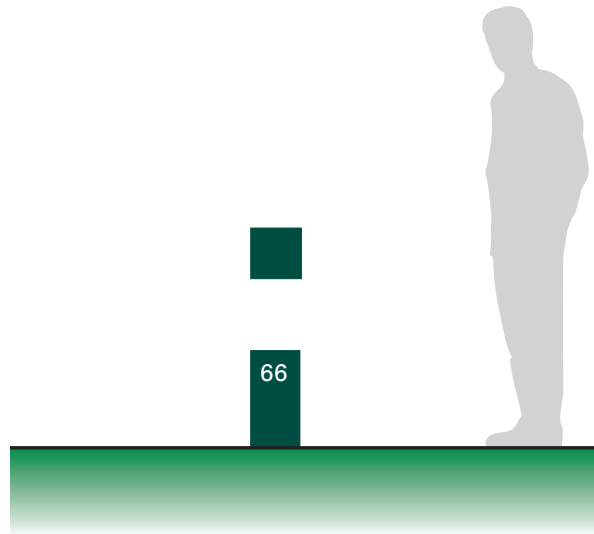
Surface applied reflective vinyl.

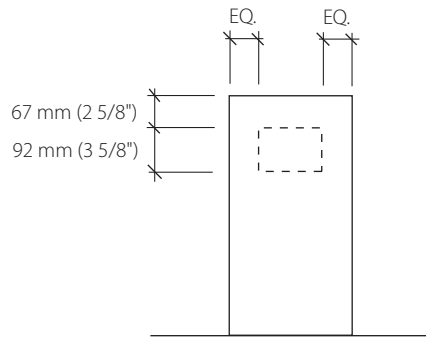
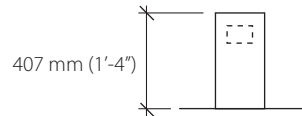
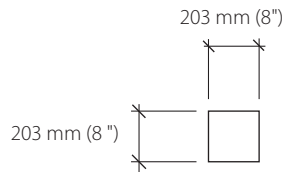
Colors

Text: White T2
Background: Refer to Color Chart
Post: Refer to Color Chart

Recommendations

Position sign so pedestrians have a clear, unobstructed view of the sign.





Message Layout

EN-15.07

Non-Illuminated Exterior Sign

Low Profile Traffic Regulatory

National Cemetery Sign

Size

Sign Face:
610 mm H x 610 mm W
(2' 0" H x 2' 0" W)

Overall Sign Height:
915 mm (3' 0")

Description

National Cemetery non-illuminated, post and panel directional traffic regulatory sign with messages directed specifically to pedestrians.

Message Configuration

(Refer to message layout drawing for dimensions)

Message size and layout should adjust to the volume of information being presented. Smaller text than shown should not be used as the messages will be unreadable. Larger text than shown will result in words that may not fit on the sign.

Graphic Process

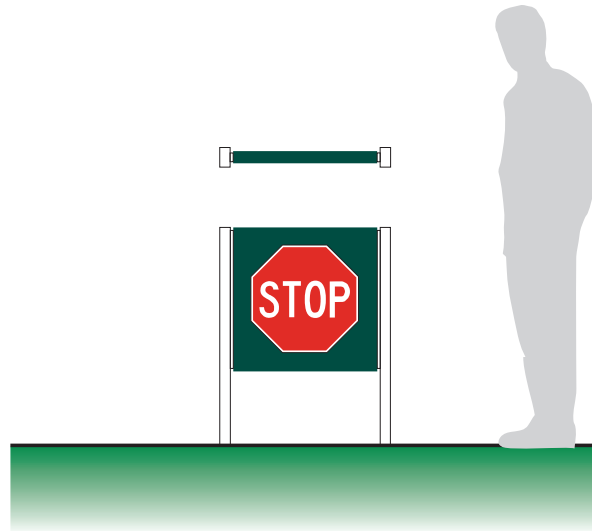
Surface applied reflective vinyl.

Colors

Text: White T2
Background: Refer to Color Chart
Post: Refer to Color Chart

Recommendations

Position sign so pedestrians have a clear, unobstructed view of the sign.



Message Layout A



Message Layout B

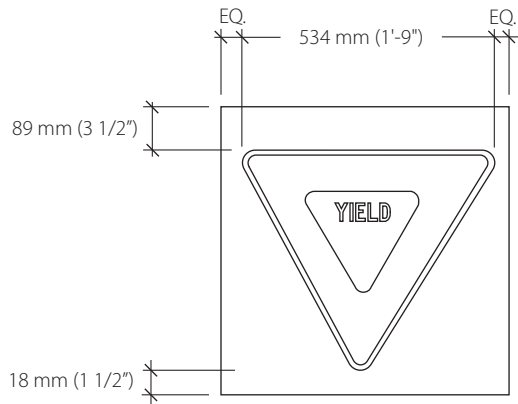
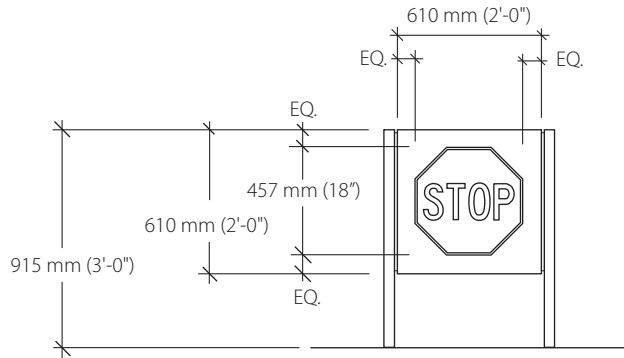
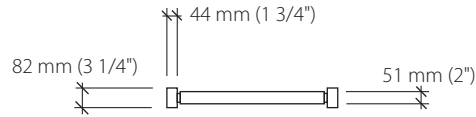


Message Layout C

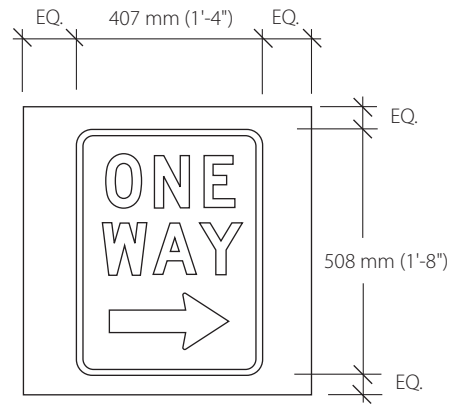


Message Layout D

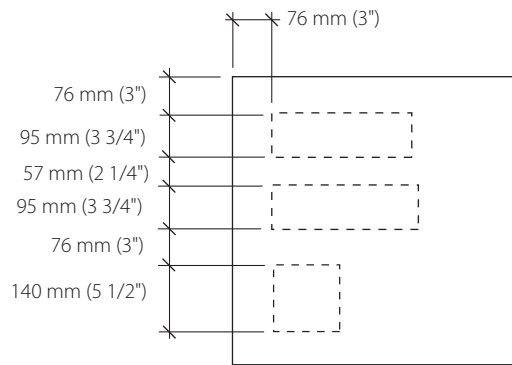




Message Layout A



Message Layout B & C



Message Layout D

EN-15.08

Non-Illuminated Exterior Sign

Street Sign

National Cemetery Sign

Size

Sign Face:
203 mm H x Various Widths
(8" H x Various Widths)

Overall Sign Height:
915 mm (3' 0")

Description

National Cemetery non-illuminated, post and panel street identification sign with messages directed specifically to pedestrians. The sign can also be used to identify buildings.

Message Configuration

(Refer to message layout drawing for dimensions)

Message size and layout should adjust to the volume of information being presented. Smaller text than shown should not be used as the messages will be unreadable. Larger text than shown will result in words that may not fit on the sign.

Graphic Process

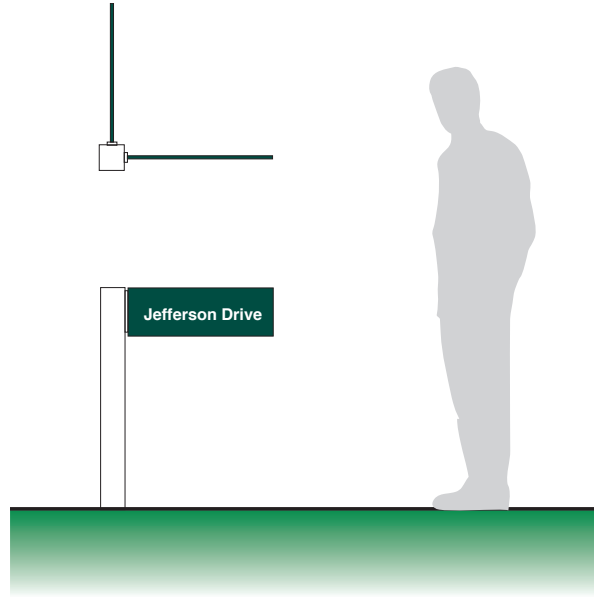
Surface applied reflective vinyl.

Colors

Text: White T2
Background: Refer to Color Chart
Post: Refer to Color Chart

Recommendations

Position sign so pedestrians have a clear, unobstructed view of the sign.



Message Layout A



Message Layout B

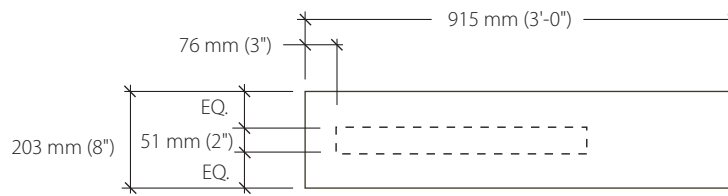
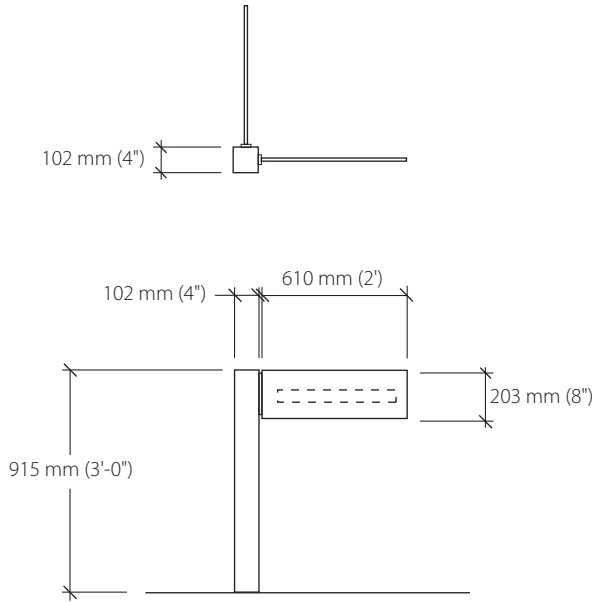


Message Layout C

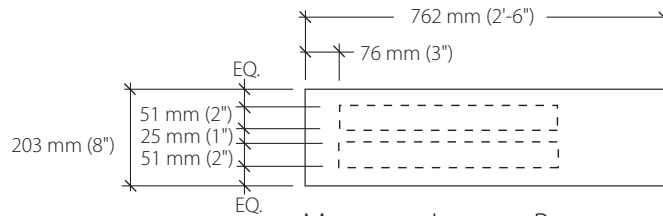


Message Layout D

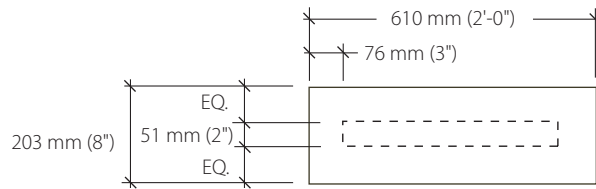




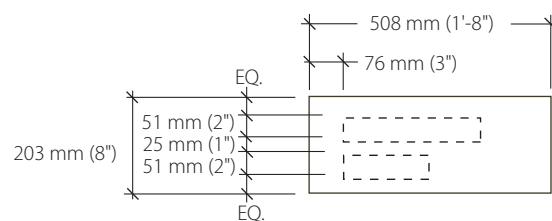
Message Layout A



Message Layout B



Message Layout C



Message Layout D

EN-15.09

Non-Illuminated Exterior Sign

Pylon Street Sign

National Cemetery Sign

Size

Sign Face:
1067 mm H x 152 mm W x 152
mm D
(3' 6" H x 6" W x 6" D)

Overall Sign Height:
1067 mm (3' 6")

Description

National Cemetery non-illuminated, post and panel directional sign with messages directed specifically to pedestrians. The sign can also be used to identify buildings.

Message Configuration

(Refer to message layout drawing for dimensions)

Message size and layout should adjust to the volume of information being presented. Smaller text than shown should not be used as the messages will be unreadable. Larger text than shown will result in words that may not fit on the sign.

Graphic Process

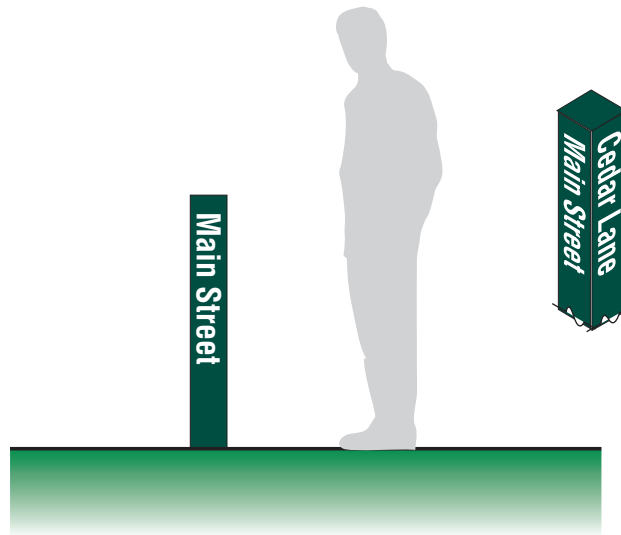
Surface applied reflective vinyl.

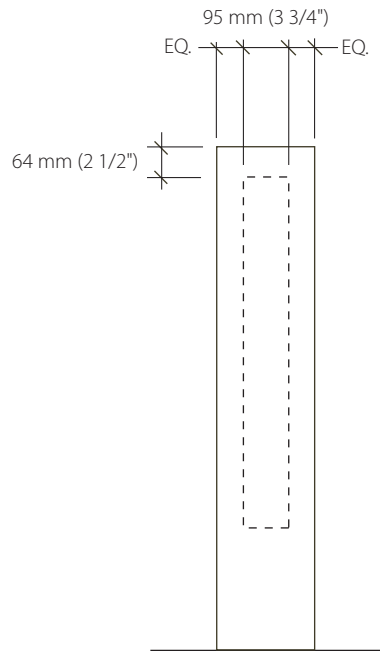
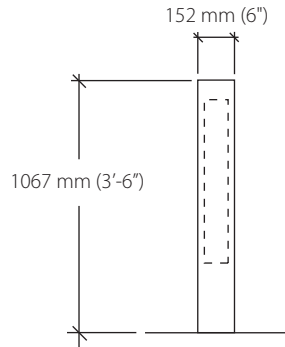
Colors

Text: White T2
Background: Refer to Color Chart
Post: Refer to Color Chart

Recommendations

Position sign so pedestrians have a clear, unobstructed view of the sign.





Message Layout

The specifications for exterior signs are available in the Master Construction Specifications area of the VA Technical Information Library.

http://www.va.gov/facmgt/standard/spec_10.asp

Refer to Specification 10430. For more information regarding specifications, contact the Office of Facilities Management, Standards Service.

The specifications will require editing to eliminate signs that are not needed and to adapt the specifications to the specific project for which they are intended.

The specifications require close coordination taking into account the

existing sign program at a medical center, sign maintenance and future signing needs.

The sign message schedule is considered a part of the specifications and would comprise the last section. Configuration of the message schedule may vary according to project requirements.

The sign message schedule form, illustrated in the Programming Section of this Handbook, lists the typical information that a sign manufacturer and installer will require.

The sign message schedule needs to be coordinated with a sign location plan drawing showing where signs are to be placed within a building or on the site. See the example in the Programming Section of this Handbook.

The type of exterior sign and sign system being selected for a particular application or facility may require several decisions and involve different construction and assembly components to meet the desired requirements. This section provides an overview of the intended criteria for exterior sign programs.

The details, showing the construction of the monument signs, post and panel signs, wall mounted signs and the stacking bar signs are based on a concept of an aluminum extrusion component system. Many extruders and sign manufacturers currently market extrusions and component sign systems that will accomplish the illustrated objectives of the intended exterior sign system. These extruded, molded and fabricated component sign systems are acceptable so long as the illustrated and stated specifications are adhered to. Once a particular manufacturer's system is selected for the sign program, ongoing maintenance and replacement signs will need to come from that same component system.

The illustrations are intended to show the desired configuration and intent of the various sign types. Sections of the extrusions are for illustration purposes and have not been engineered or configured for extruding and do not represent a finished form or a particular manufacturer. Many manufacturers' extrusion systems will accomplish the illustrated objectives of the intended exterior sign system.

Variations such as beveled and radius shapes in the sign cabinet and sign face frame are forms that do not conform with the sign program.

Variation in shape and form for posts is an option that is available to allow a custom look for a medical center campus. Once a post shape is selected, it should become the standard for the entire campus. Different shapes being used on the same campus will create a disorganized appearance to the exterior sign program.

Internally illuminated signs should have the electrical supply coordinated and voltage confirmed before the sign is ordered and fabricated. Illuminated signs should contain a "UL" sticker that their construction conforms to UL Standard 48. Text for illuminated signs should also be confirmed and finalized before the sign is ordered and fabricated. Revisions after construction are expensive and time consuming.

Community reaction should be taken into account before large "Skyline letters and logo" are installed on a medical center. Various communities have standards that may not permit these types of signs and installing them could create a local controversy. Also, when large letters are planned for a building, coordination should take place to insure issues of building skin integrity, structural loads, installation, and maintenance access are evaluated.

Monument signs larger than those shown in the Guide may also create local community reaction. Check with the Planning Department of your local City or County to see if they have a sign ordinance that may have guidelines for the type of sign being proposed. Federal facilities are not required to obtain local sign permits, but respecting the local ordinances will prevent possible controversy.

The Exterior Sign Specification 10430 in the VA Technical Information Library should be read in conjunction with this Construction Details section. This will provide an overview of the exterior sign construction requirements, materials and finishes.

Particular care should be taken to insure that sign footings and foundations are correctly matched to the type of sign being installed.

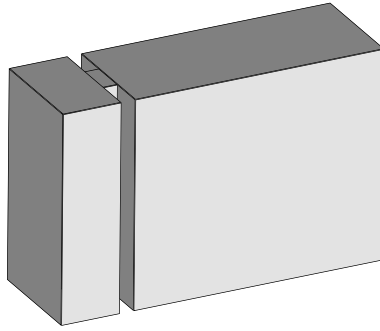
Detail 1

Post Forms

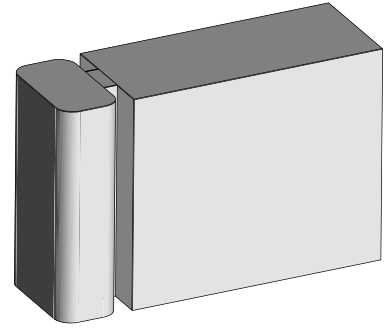
The illustrations show 4 different post shape forms. From these forms a look can be drawn that can allow a sign program to bring a fresh new image to a medical center campus.

These forms can also create a coordinated look with the buildings on a medical center campus.

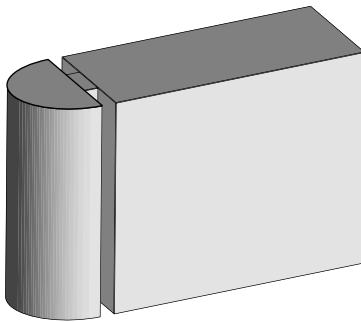
Post Shape One continues the look of the past exterior sign program and can allow an individual new sign to be integrated into an existing sign program.



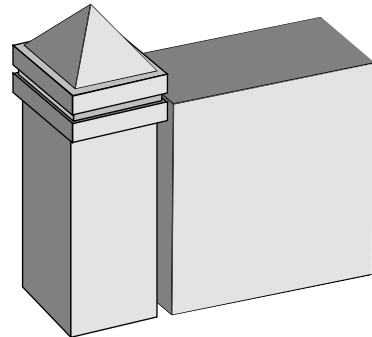
Post: P1



Post: P2



Post: P3



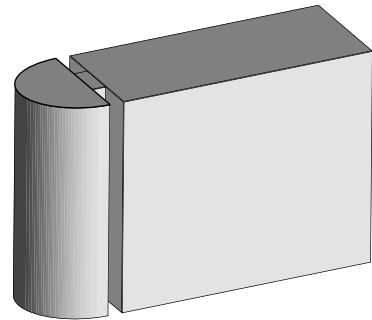
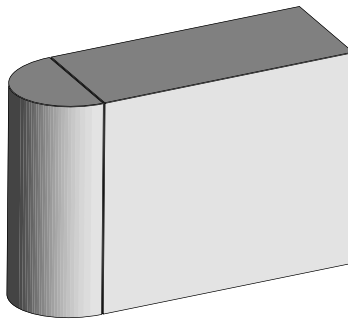
Post: P4

Detail 2

Post & Panel Reveals

The theme of the exterior sign program allows for signs to be assembled and installed with or without a reveal.

The extruded aluminum posts have the capability for interlocking with a reveal extrusion that allows for the sign to have a large reveal, small reveal or no reveal. This reveal can also be used to incorporate an accent color into the sign program.



Detail 3

Internally Illuminated
Monument Sign

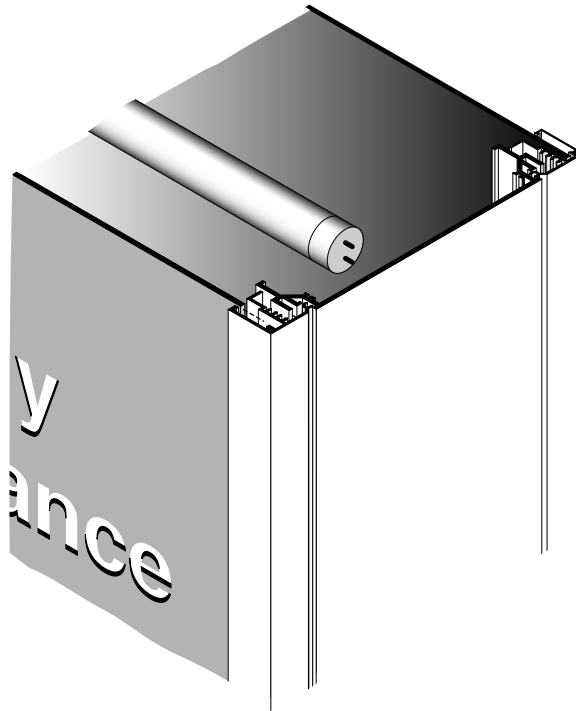
Sign is constructed with an illuminated double faced sign cabinet mounted to a masonry base with a reveal between the base and the cabinet.

Sign face is aluminum with "route out" graphics backed with a translucent diffuser.

Illumination is by internal florescent lamping 9" on center.

Sign face sits within a hinged/ removable frame which will allow for replacement of the sign face without disassembly or abandonment of entire sign.

Sign is to be constructed to conform to UL requirements.



Detail 4

Internally Illuminated
Post & Panel Sign

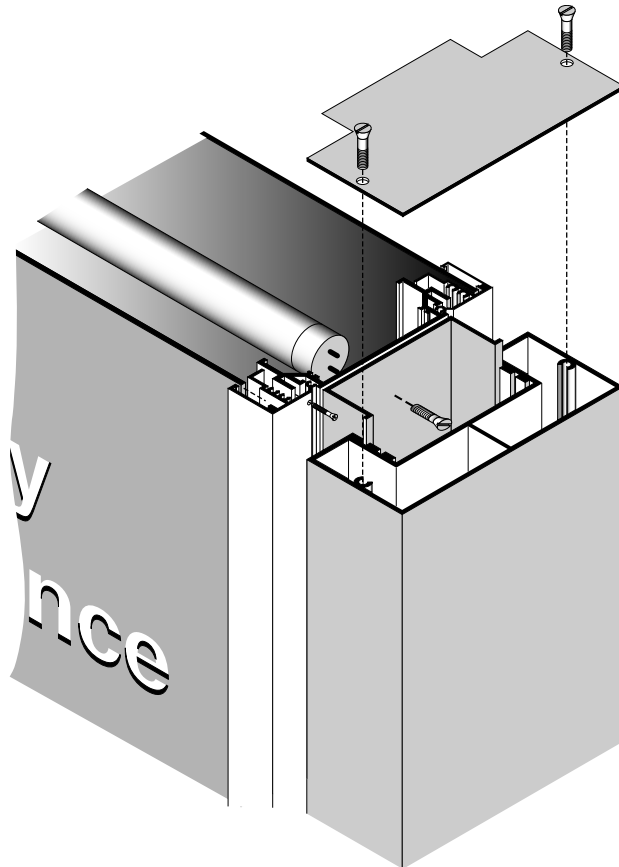
Sign is constructed with an illuminated double faced sign cabinet mounted to extruded aluminum posts with an adjustable reveal between the posts and the cabinet.

Sign face is aluminum with "route out" graphics backed with a translucent diffuser.

Illumination is by internal florescent lamping 9" on center.

Sign face sits within a hinged/ removable frame which will allow for replacement of the sign face without disassembly or abandonment of entire sign.

Sign is to be constructed to conform to UL requirements.



Detail 5

Internally Illuminated
Wall Mounted Sign

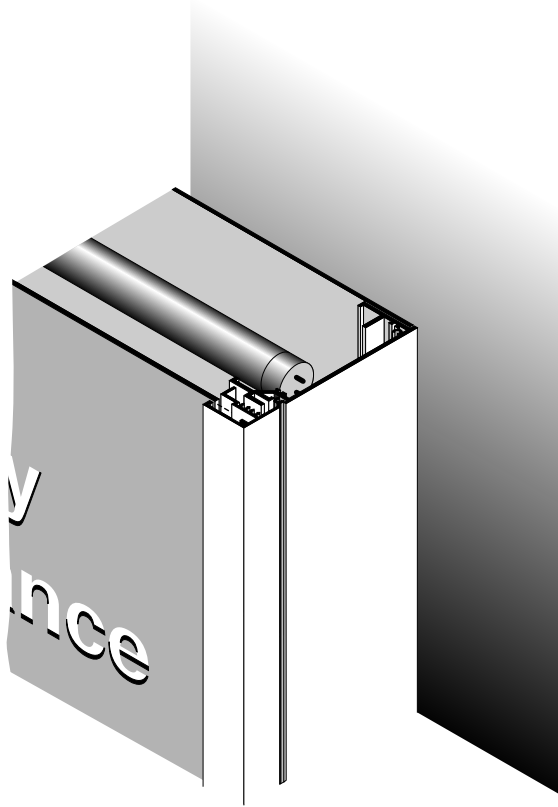
Sign is constructed with a single faced illuminated sign cabinet that can be mounted to a wall. A complete enclosed back is required.

Sign face is aluminum with "route out" graphics backed with a translucent diffuser.

Illumination is by internal florescent lamping 9" on center.

Sign face sits within a hinged/removable frame which will allow for replacement of the sign face without disassembly or abandonment of entire sign.

Sign is to be constructed to conform to UL requirements.



Detail 6

Internally Illuminated
4 Sided Monument Sign

Sign is constructed with an illuminated 4 faced sign cabinet mounted to a masonry base with a reveal between the base and the cabinet.

Sign face is aluminum with "route out" graphics backed with a translucent diffuser.

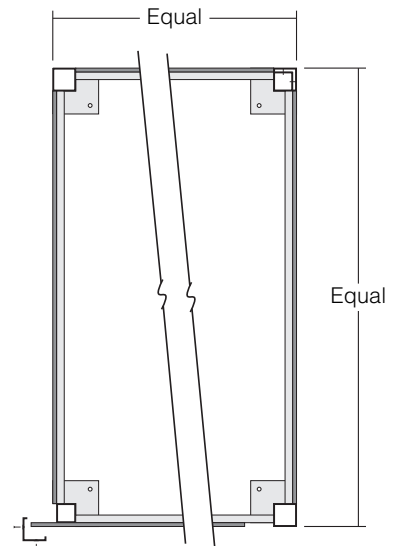
Illumination is by internal metal halide lamp bulbs placed horizontally on center.

Sign face sits within a hinged/removable frame which will allow for replacement of the sign face without disassembly or abandonment of entire sign.

Sign is to be constructed to conform to UL requirements.



Vertical Section



Horizontal Section

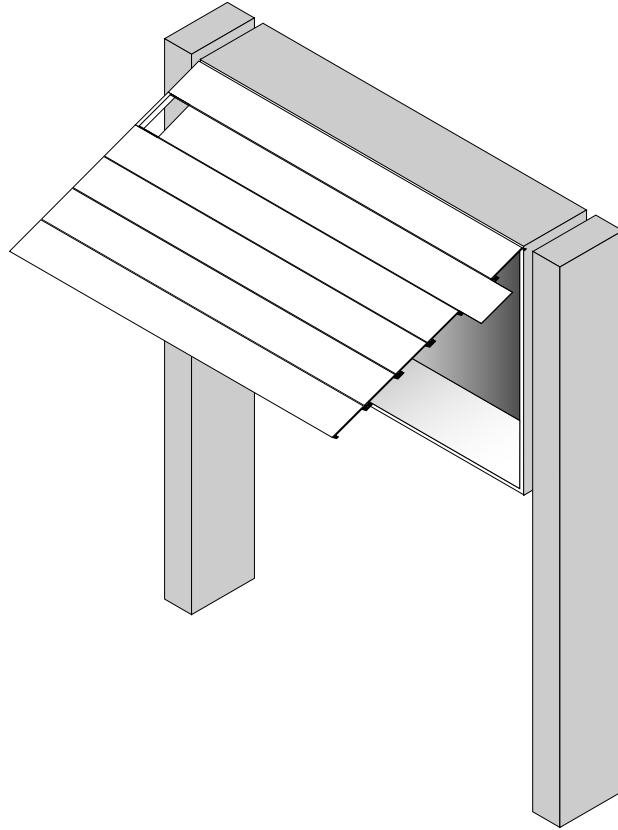
Detail 7

Internally Illuminated
Strip Sign

A stacking strip illuminated sign incorporates individual extruded aluminum strips that enable the panels to be removed and rearranged as necessary.

The sign is constructed similar to the internally illuminated monument or post and panel sign.

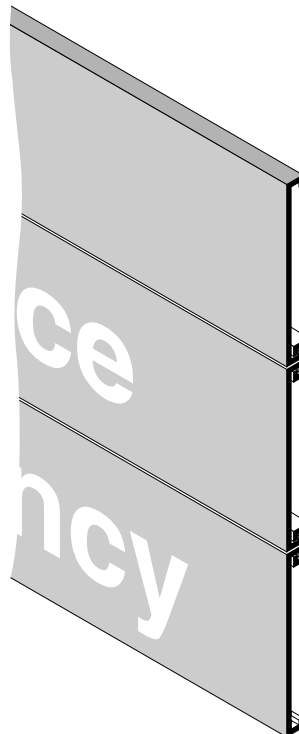
The graphics on the strips are constructed in the same manner as an internally illuminated sign face.



Detail 8

Internally Illuminated
Changeable Strips

Modular illuminated sign strip extrusions are to be interlocking in such a manner as to prevent light leaks and also provide flexibility for replacement and rearrangement.



Detail 9

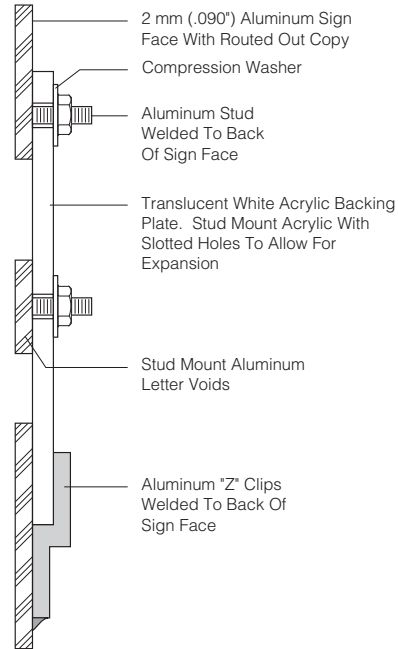
Internally Illuminated
Route-out Graphics

Illuminated signs with route out aluminum sign faces require white translucent diffusers.

The translucent acrylic or polycarbonate diffusers are to be mechanically fastened to the sign face.

Letter voids of "a b d o p q r a b d e g o p q" are to be mechanically fastened to the diffuser.

Diffusers are not to be installed on a sign face using any type of tape or adhesive system.



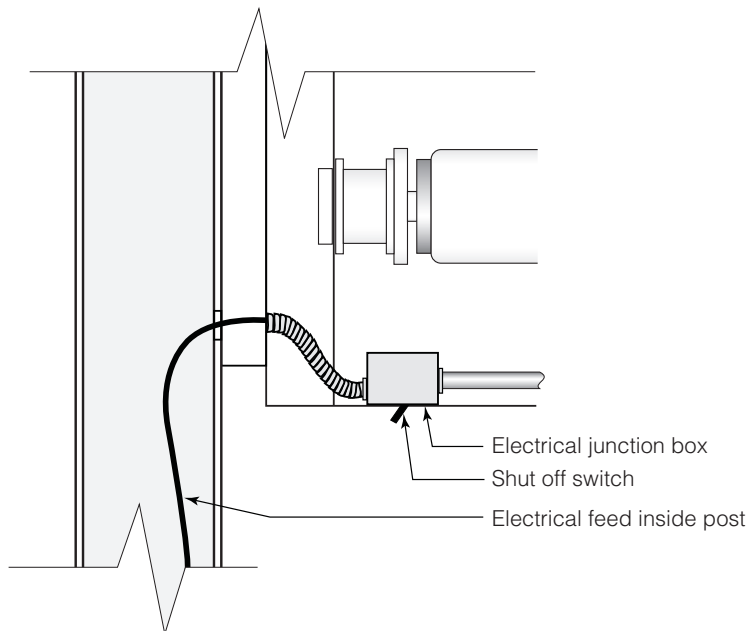
Detail 10

Internally Illuminated Sign
Electrical

Electrical connections to illuminated signs are to be made in a junction box that is located adjacent to the sign. Junction boxes are not to be installed on the sides of cabinets or mounted on posts.

Exposed conduit is not to be mounted to the exterior of sign cabinets or posts.

All illuminate signs are to conform to Underwriter Laboratories Standard 48 for Electric Signs



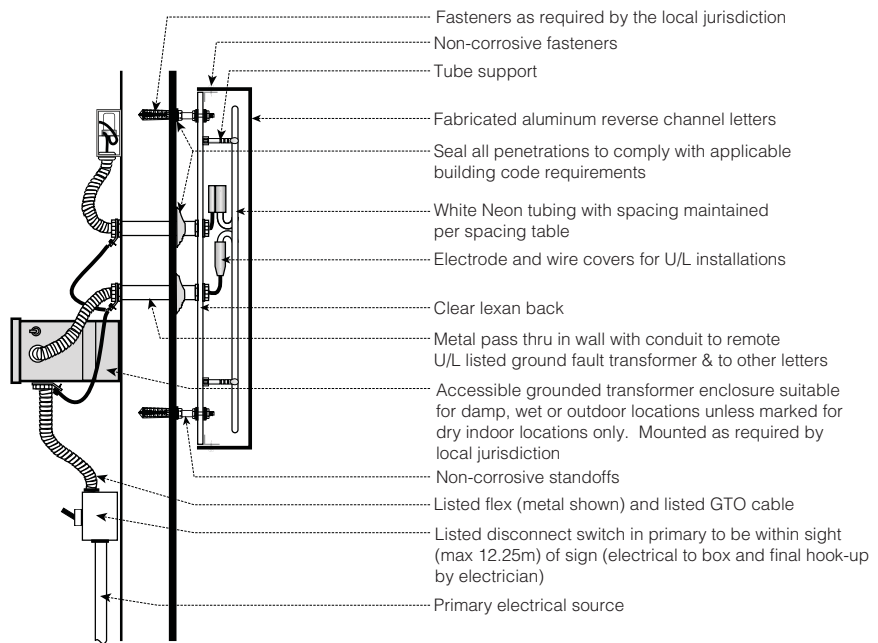
Detail 11

Illuminated Letters & Logo

Fabricated metal letters and logo are intended for use on exterior building applications.

These letters are custom fabricated to meet the size, illumination and mounting requirements for the intended location on a building. Clear access is required to backs of the letters to allow installation of electrical connections.

Consult with a local exterior electrical sign company regarding these letters, their construction and installation requirements before ordering illuminated letters.



SPACING TABLE

A. Between insulated high voltage and 1)primary wiring and 2)dead metal where dead metal parallels high voltage wiring for more then 25mm(1") in length.

B. Between neon tubing and nearest surface

C. Between uninsulated high voltage parts and 1)dead metal and 2)insulated high voltage or supply conductors.

D. Between uninsulated high voltage parts and 1)other uninsulated high voltage parts and 2)uninsulated supply and low voltage parts

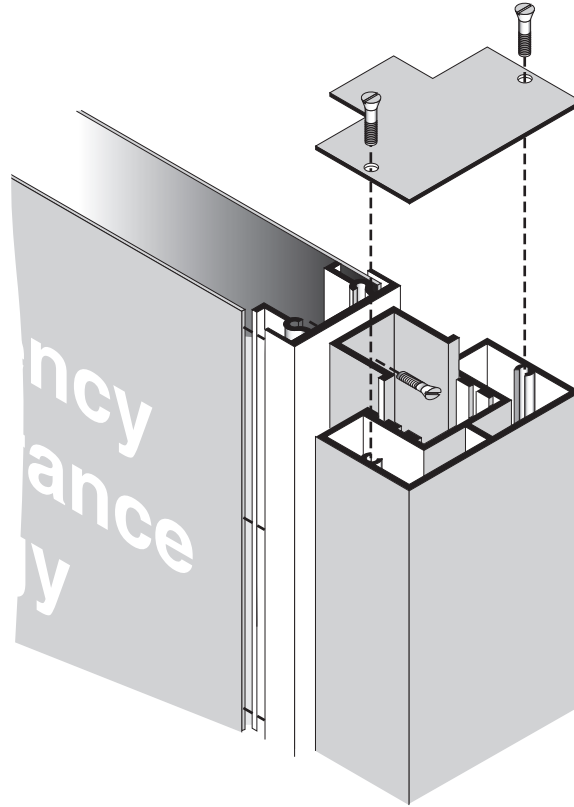
Voltage	A	B	C	D
1001 to 5000	13mm(1/2")	6mm(1/4")	19mm(3/4")	25mm(1")
5001 to 10000	19mm(3/4")	6mm(1/4")	29mm(1 1/8")	38mm(1 1/2")
10001 to 15000	25mm(1")	6mm(1/4")	38mm(1 1/2")	54mm(2")

Detail 12

Non-illuminated Post & Panel Sign

Sign is constructed with a non-illuminated sign cabinet mounted to extruded aluminum posts with an adjustable reveal between the posts and the cabinet.

The sign cabinet extrusion should have the capability to hold the sign faces and allow for the removal and replacement of faces without total sign disassembly or abandonment of the sign.

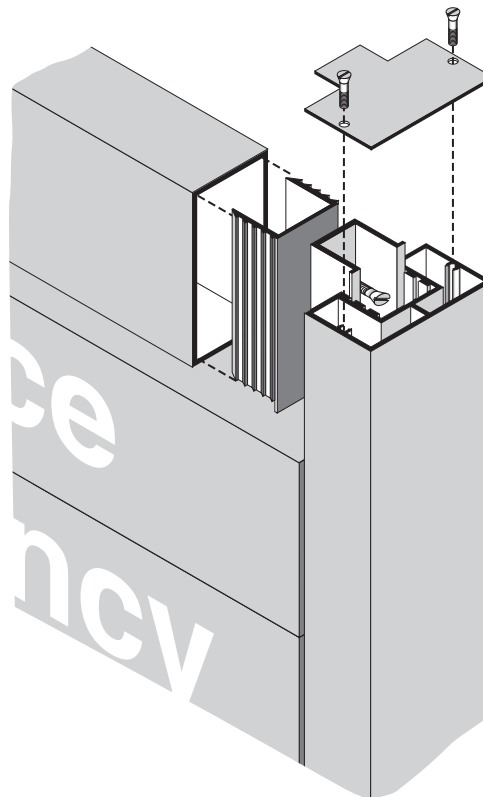
**Detail 13**

Non-illuminated Post & Stacking Bar Sign

Sign is constructed with a series of aluminum tubes mounted to extruded aluminum posts with an adjustable reveal between the posts and the stacking tubes.

Tubes are to be flush and touching with no gaps between them.

Sign is constructed in a manner that will allow the removal or addition of at a future time.

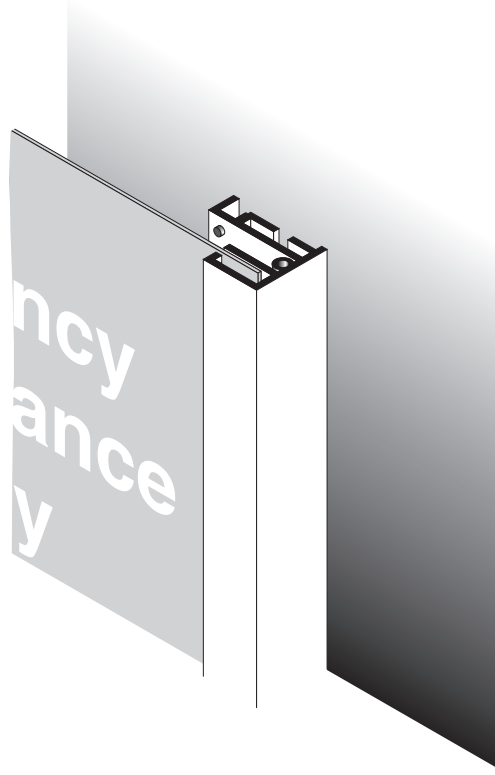


Detail 14

Non-illuminated Wall Mounted Sign

Sign is constructed with an aluminum panel mounted into an extruded aluminum frame configured for wall mounting.

Sign face sits within a frame which will allow for replacement of the sign face without disassembly or abandonment of entire sign.

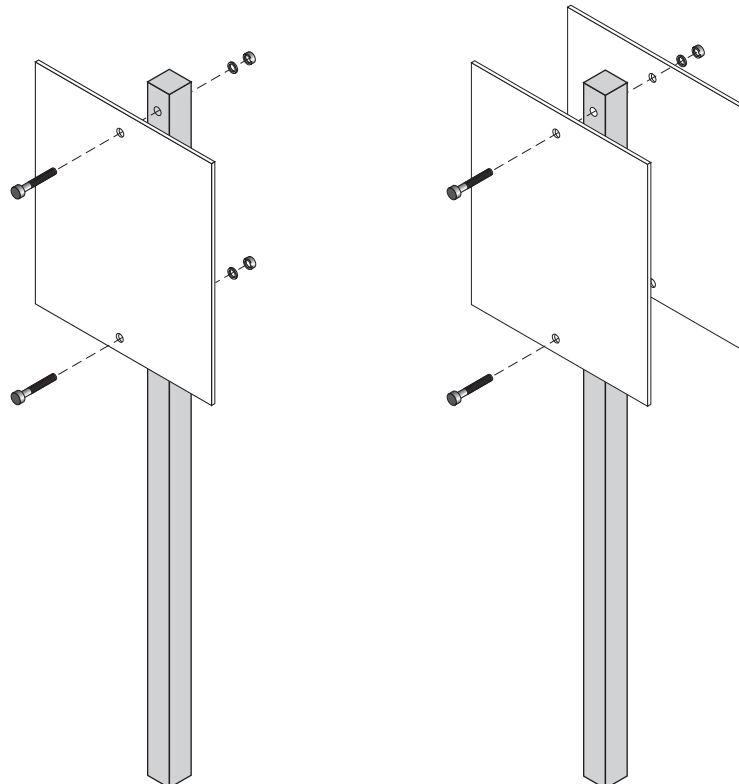


Detail 15

Single Post & Panel Sign

Aluminum sign panel mounted to a square aluminum post with tamper proof mechanical fasteners.

Sign panels have the corners eased with a 6 mm (.25") radius. The post shall have a permanent top cap

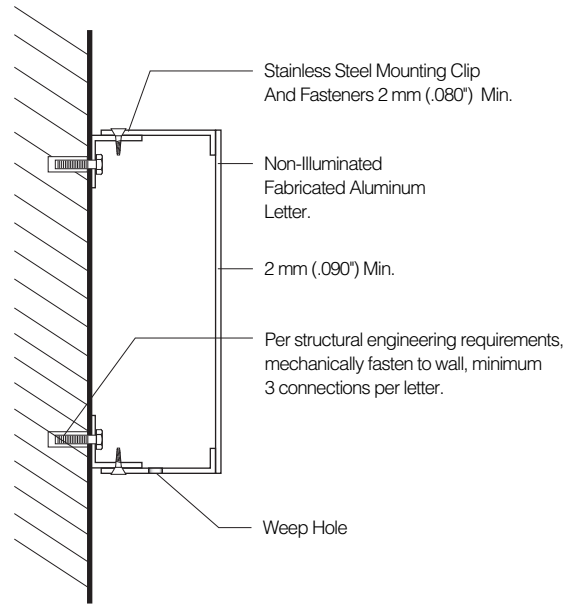


Detail 16

Fabricated Metal Letter & Logo

Fabricated metal letters and logo are intended for use on exterior building applications.

These letters would be typically custom fabricated relative to the placement position on a building.

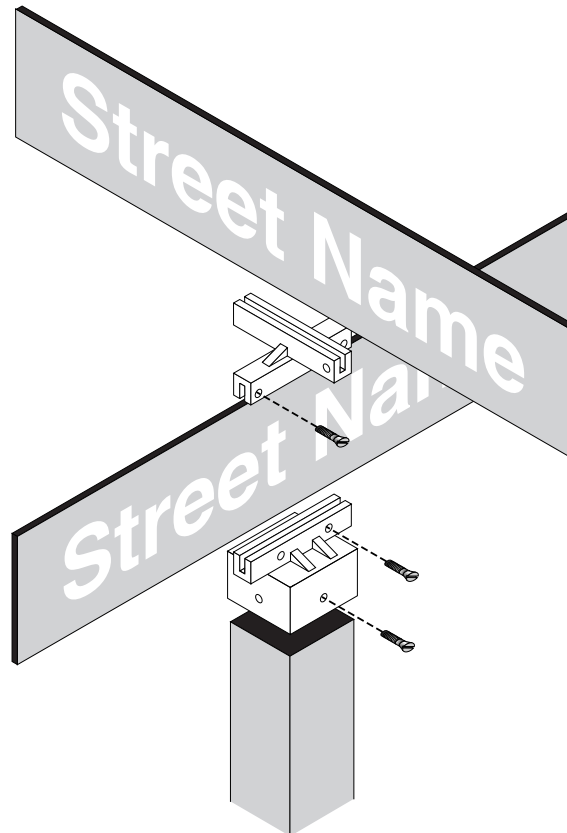


Detail 17

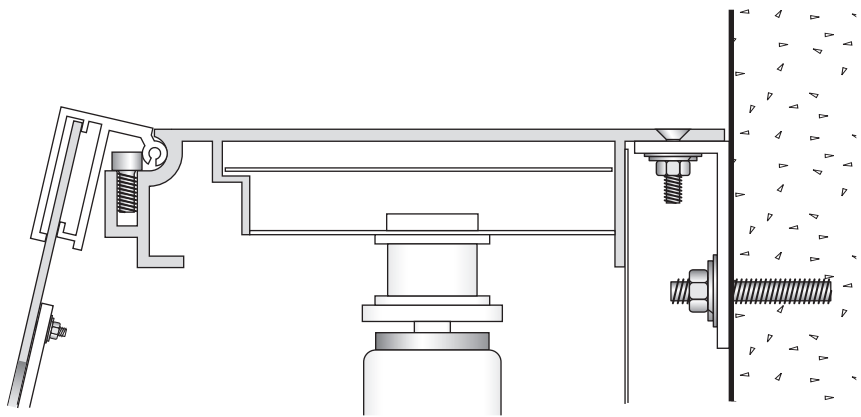
Street Identification Sign

Cast or fabricated aluminum post cap configured to hold aluminum name panel.

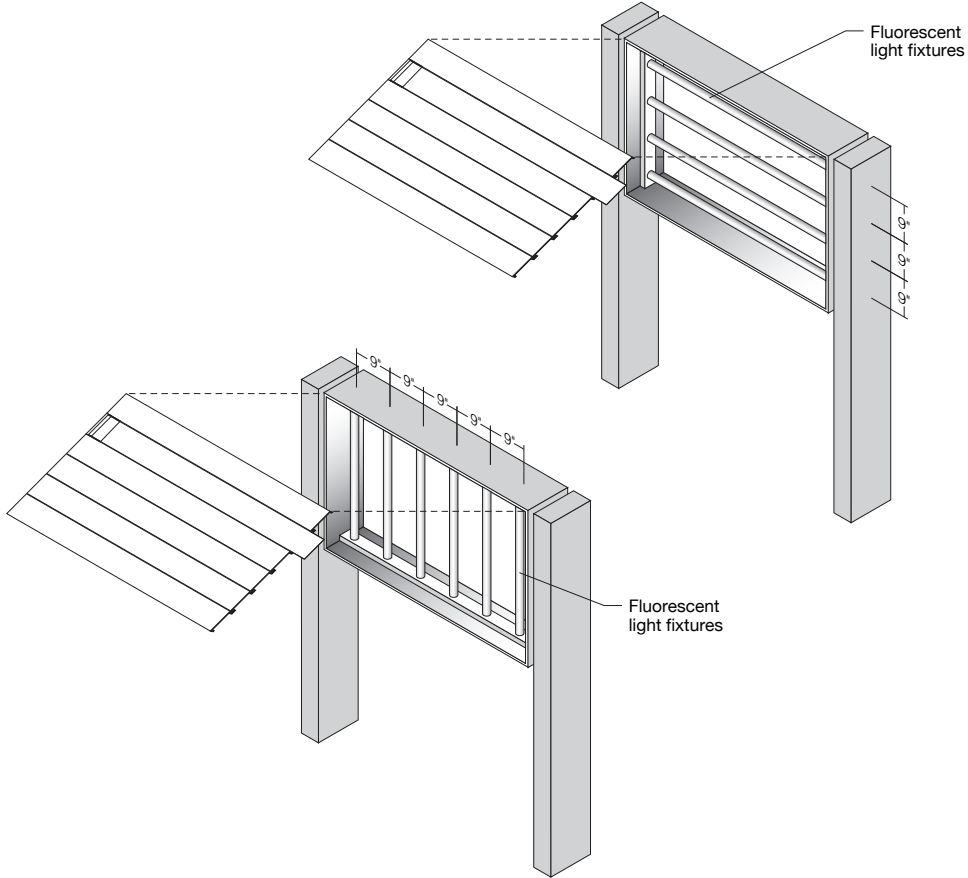
For double bladed signs there is a cast or fabricated aluminum connector that is mounted to the lower blade and holds the upper blade.



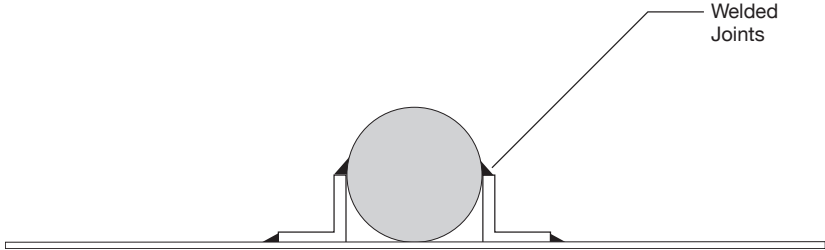
Detail 18
Hinged Illuminated Sign Face



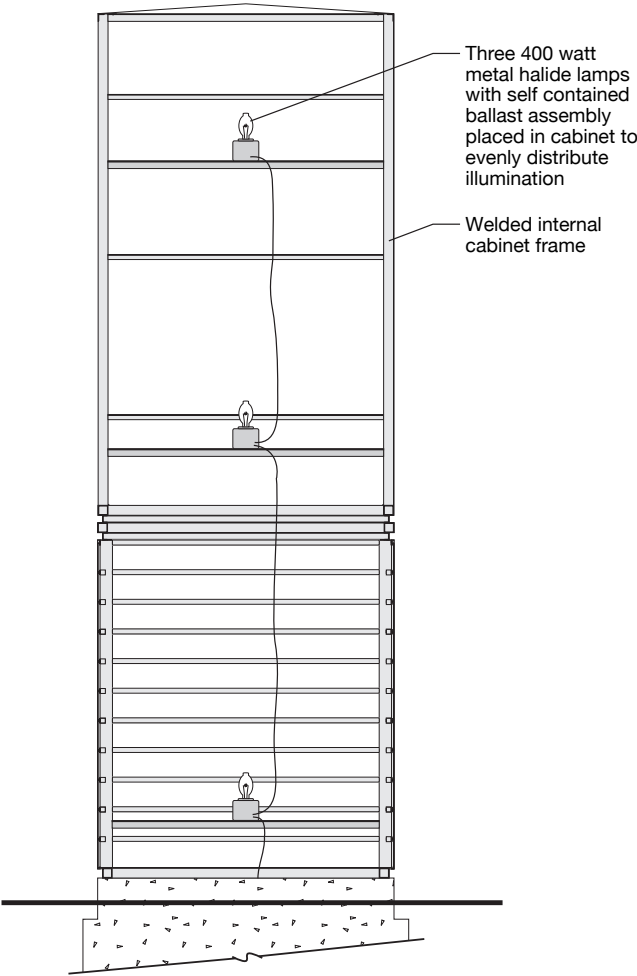
Detail 19
Fluorescent Light Fixtures



Detail 20
Traffic Signs Mounted to Round Posts



Detail 21
Halide Light Illumination



The installation of exterior signs requires coordination of several criteria. Careful consideration should be given to the following:

- Criteria**
- Character and configuration of the roadway system.
 - Desired path of travel on the roadway system for visitors, employees and deliveries.
 - Location of buildings on the facility campus in relation to roads, parking and walkways.
 - Location of building entrances.
 - Weather...like wind and snow.
 - Utilities and landscaping.
 - Adequate light on and around directional signs.
 - Placement of signs in locations where people are expecting them to be.

Visibility These elements help establish the basis of a clear sign program.

Exterior signs function to communicate to both drivers and pedestrians and their placements need to be planned relative to the intended viewer. Sign visibility to the user is a principal objective that is the basis of correct sign placement.

Readability Signs that are to be read from a car moving down a road need to be installed in location that provide for clear readability without obstructions.

Equally important is that the installation of signs needs to take into account the potential effects on drivers. Sign with too much information can cause a driver to stop or slow to a very low speed, thus creating a traffic hazard.

Coordination Coordination needs to take place with things like irrigation systems, electrical service and other underground utilities.

Climate Every site has different climate conditions that effect an exterior sign program. Wind load on signs effects the footing requirements. Considerations for snowfall and frost line will also have an impact on post length and footing depth.

Footing Within this installation section of the guide there is a table to provide assistance in determining the size of a footing for various signs. This is a general guide and structural engineering maybe required to adequately confirm that a particular footing will be adequate for a sign in the required conditions at a particular site or sign location.

Engineering Structural engineering should be consulted to ensure building walls can adequately support large "skyline letters and logo" before having them fabricated. Monument signs should also have their bases designed by a structural engineer to insure that the signs can withstand wind loads in the signs location.

Mounting Sign mounting methods have been standardized to create visual uniformity for all signs placed around a facility. Mounting heights and locations have been determined for ease of reading.

There are two principal methods of mounting signs. These are:

- Ground Mounted: Placing a sign panel on one or more posts fixed in the ground or sign cabinets mount to masonry bases.
- Wall Mounted: Placing a sign on a vertical surface such as the wall or door of a building or fence.

Viewing Each type of sign utilizes a mounting method appropriate to the viewing requirements.

During the course of installation, always insure that the signs are positioned with a clear line-of-sight from the viewing point to the sign face.

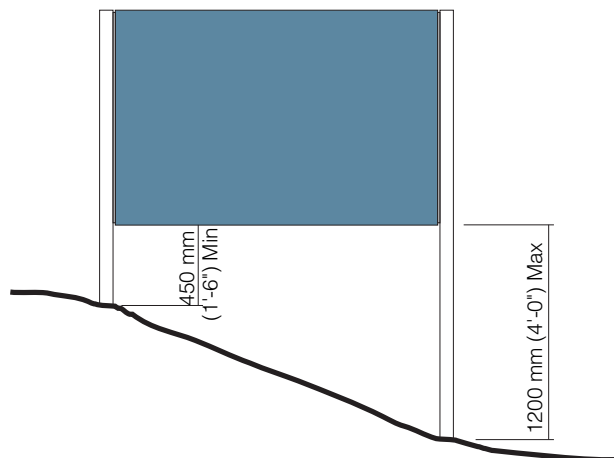
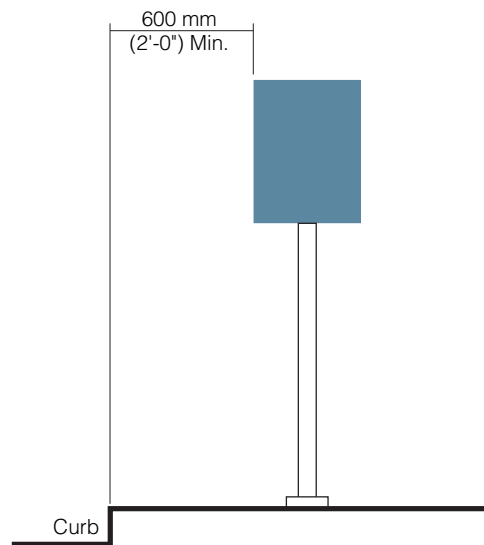
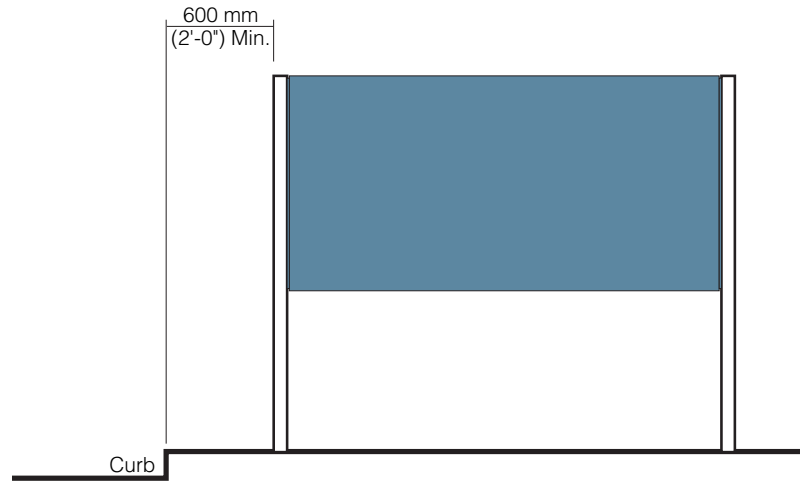
Planning A sign program for a campus, that works well, is one that has been planned as an integrated whole. All the way from the main identification sign, directional signs, building and building entrance identification through to the parking lot signs. Proper placement is part of a well-planned program.

Placement: Ground Mounted Signs

All signs should be located a minimum of 600 mm (2'-0") from the curb. The exact location of a sign will differ depending on the type of sign and site conditions.

Sign placement must be carefully considered to ensure that the sign fits the location without major regrading. It may be necessary to clear some shrubs or bushes or relocate an obstruction.

When ground mounted signs on two posts are placed on sloping or inclined grades, adjustments must be made to the post lengths. Extreme differences between post lengths should be minimized.



Placement: Wall Mounted Signs

Signs are placed to alert and inform in sufficient time to avoid the hazard or take appropriate action. They should be sized for easy reading from the viewing distance required.

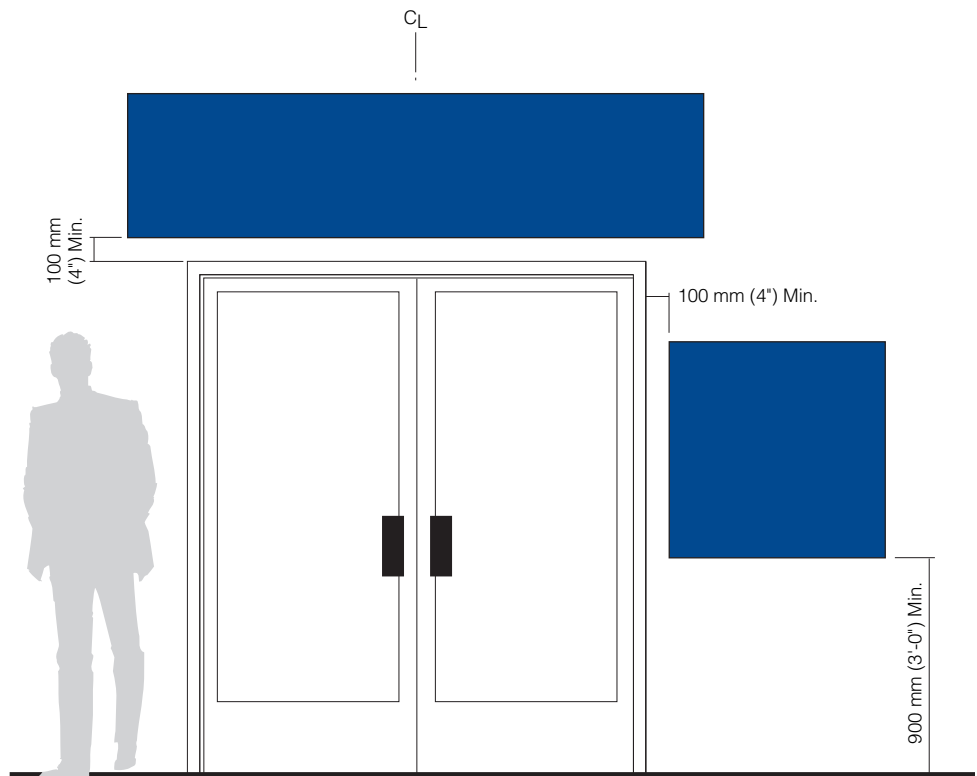
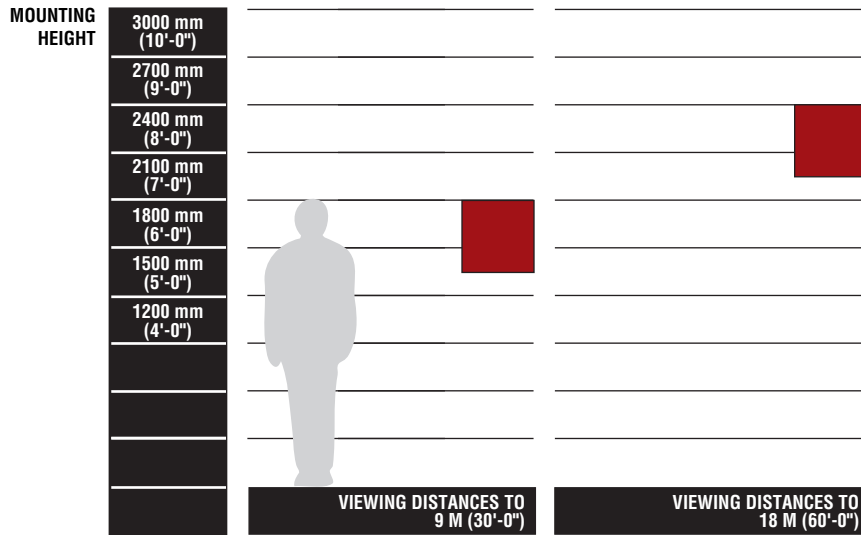
A sign that is too small will be lost. Conversely, an overly large sign can overwhelm an area.

Signs should be placed where they will not create distractions. Care should be taken to avoid grouping too many signs together in one location.

Small sign panels placed for close viewing are appropriately placed at eye level. Larger signs posted in big spaces or for viewing at greater distances should be placed proportionally higher.

Signs should not be placed where objects may obscure them.

Before ordering a sign, place a cardboard panel in the proposed location to verify the size and placement location.



Placement: Parking Stall Identification

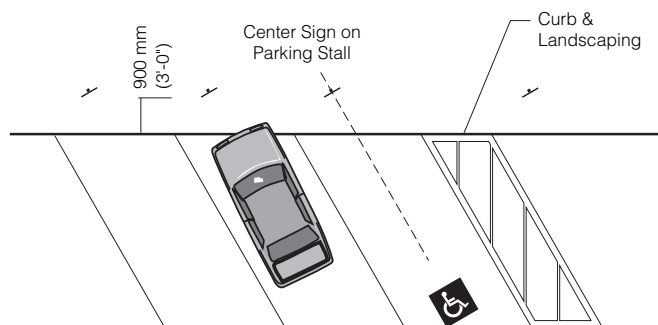
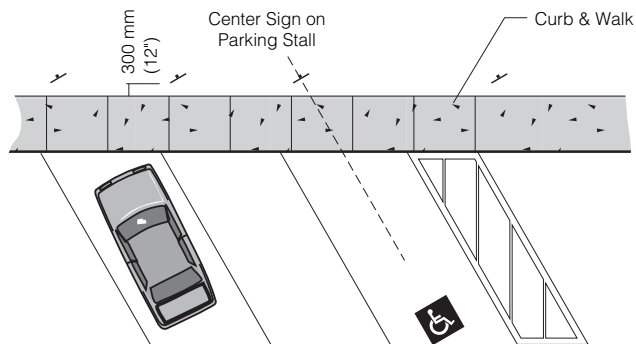
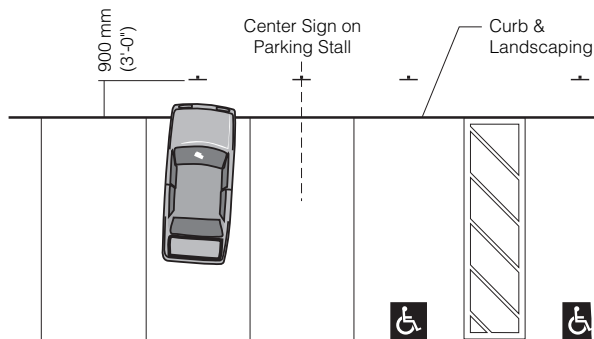
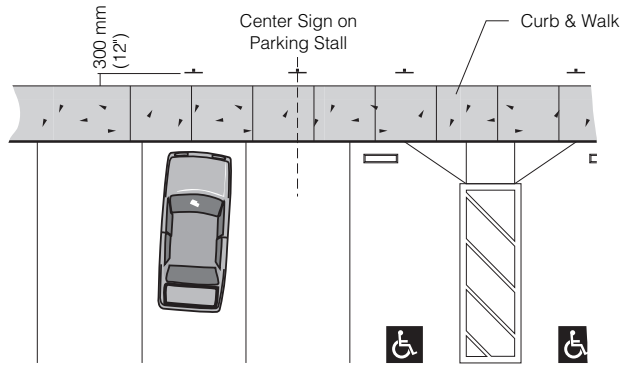
This illustration indicates the location of single post & panel signs in relationship to both handicapped and standard parking stalls.

Signs should be visually centered to the driver/ca at the head of the stall.

Make sure that the sign post cannot be stuck by the bumper of a car.

If an area of parking stalls are being signed with the same message, the number of signs can be reduced. A single sign can be used to label multiple stalls. A good guide is 1 sign for every 2 or 3 stalls. One sign for 4 stalls will not work because the sign will be too far from a drivers vision.

For handicapped parking stalls it is best to provide a sign for each individual stall and then there is no opportunity for confusion.

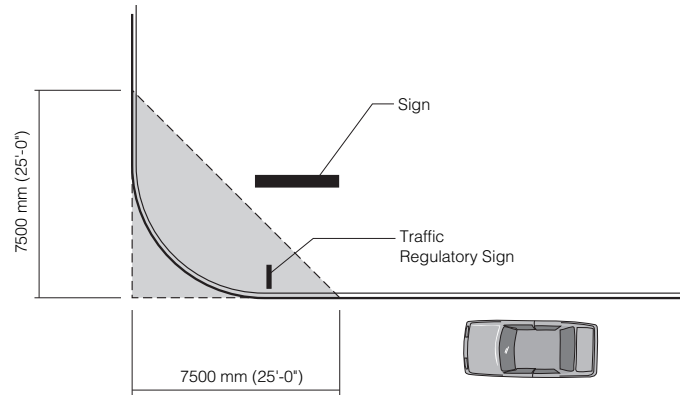


Placement: Sight Triangle at Intersections and Driveways

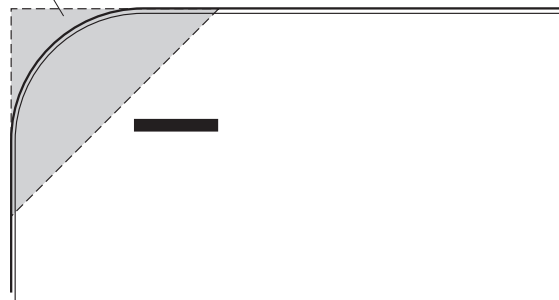
For safety reasons, signs should not be placed in the sight triangle (shaded area) where they could obscure a driver's vision. Also, make sure that a sign's location is not blocking a driver's vision of pedestrians.

Insuring that there are no signs in the sight triangle applies to roadway intersections as well as driveways.

Traffic regulatory signs are an exception to this rule. Traffic regulatory signs such as STOP and YIELD signs should be placed at the point at which compliance is to be made.



No sign to be installed in this area except traffic regulatory signs



Footing: Size Configurations

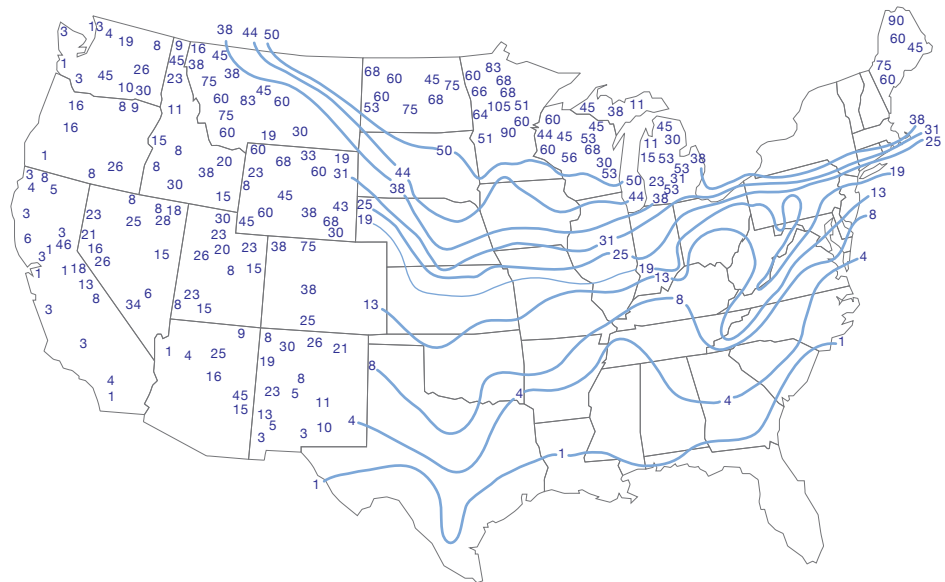
Footing depth requirements vary from location to location and size of sign.

A large sign requires a larger diameter and deeper footing or base to withstand higher wind loads. Poor soil compaction will also require larger footings.

The depth of winter frost penetration also effects the size of footing required.

Locate your area of the country on the map and then refer to the chart to determine the size of footings required for the various sizes of signs.

It is recommended that on Sign Type EI-01.01, EI-01.02, EI-01.04 and EI-01.05 the sign base be designed by a licensed structural engineer providing "sealed and signed" drawings. This is to insure that the base will structurally support the sign taking into account wind loads, the type of soil and winter frost penetration.



Footing Configuration Chart

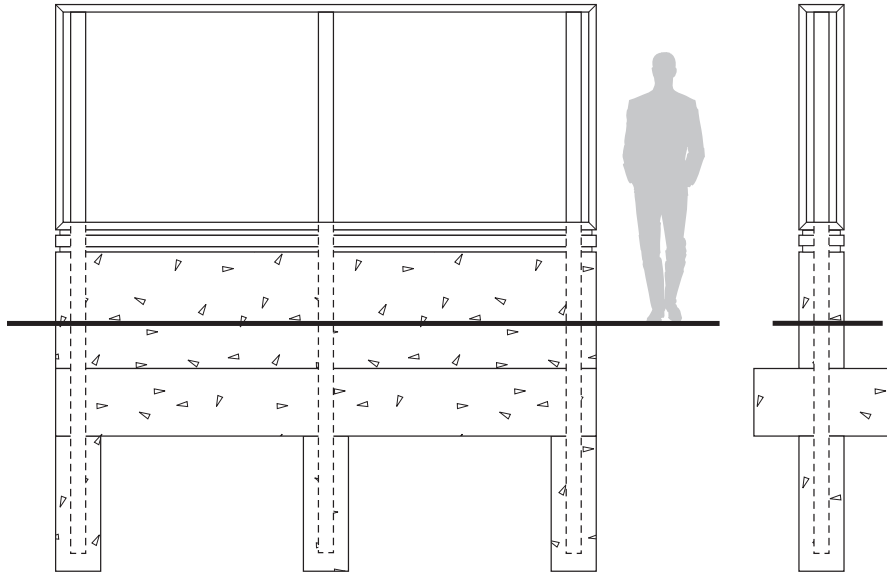
Number Of Posts	Sign Panel Height	Sign Panel Width	Sign Panel Sq. Ft.	Overall Sign Height	0"-30" Frost Depth		30"-36" Frost Depth		36"-48" Frost Depth	
					Footing Cross Section	Footing Depth	Footing Cross Section	Footing Depth	Footing Cross Section	Footing Depth
1	1'-6"	1'-0"	1.5 sq ft	6'-0"	1'-6"	2'-6"	1'-6"	3'-0"	1'-6"	4'-0"
1	2'-0"	1'-6"	3 sq ft	6'-0"	1'-6"	2'-6"	1'-6"	3'-0"	1'-6"	4'-0"
1	2'-6"	2'-0"	5 sq ft	6'-0"	1'-6"	2'-6"	1'-6"	3'-0"	1'-6"	4'-0"
2	2'-0"	2'-0"	4 sq ft	5'-0"	1'-6"	2'-6"	1'-6"	3'-0"	1'-6"	4'-0"
2	2'-0"	3'-0"	6 sq ft	5'-0"	1'-6"	2'-6"	1'-6"	3'-0"	1'-6"	4'-0"
2	3'-0"	3'-0"	9 sq ft	5'-6"	1'-6"	2'-6"	1'-6"	3'-0"	1'-6"	4'-0"
2	3'-0"	4'-0"	12 sq ft	5'-6"	1'-6"	2'-6"	1'-6"	3'-0"	1'-6"	4'-0"
2	4'-0"	3'-0"	12 sq ft	6'-6"	1'-6"	2'-6"	1'-6"	3'-0"	1'-6"	4'-0"
2	4'-0"	6'-0"	24 sq ft	6'-0"	1'-6"	4'-0"	1'-6"	3'-0"	1'-6"	4'-0"
2	4'-0"	6'-0"	24 sq ft	6'-6"	1'-6"	4'-0"	1'-6"	3'-0"	1'-6"	4'-0"
2	4'-0"	8'-0"	32 sq ft	6'-6"	1'-6"	4'-0"	1'-6"	4'-0"	1'-6"	4'-0"
2	6'-0"	5'-0"	30 sq ft	8'-6"	1'-6"	4'-0"	1'-6"	4'-0"	1'-6"	4'-0"

Footing: Metric Size Configurations

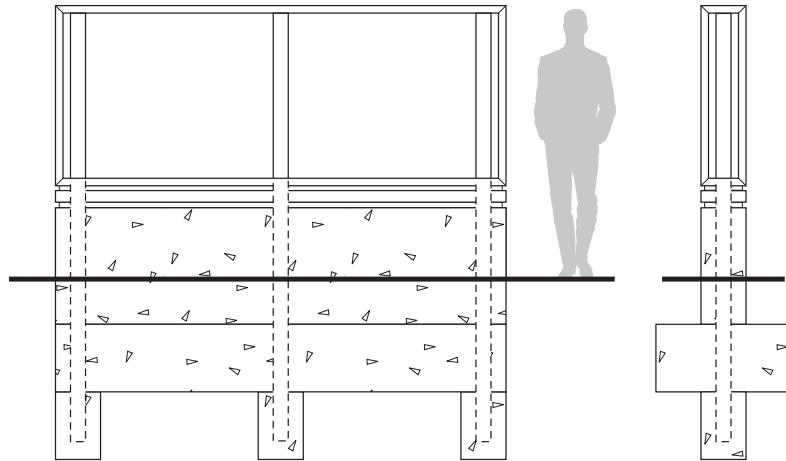
Number Of Posts	Sign Panel Height	Sign Panel Width	Sign Panel Sq. M	Overall Sign Height	0-762 Frost Depth		762-915 Frost Depth		915-1220 Frost Depth	
					Footing Cross Section	Footing Depth	Footing Cross Section	Footing Depth	Footing Cross Section	Footing Depth
1	450 mm	300 mm	.1 sq M	1800 mm	450 mm	750 mm	450 mm	900 mm	450 mm	1200 mm
1	600 mm	450 mm	.2 sq M	1800 mm	450 mm	750 mm	450 mm	900 mm	450 mm	1200 mm
1	750 mm	600 mm	.5 sq M	1800 mm	450 mm	750 mm	450 mm	900 mm	450 mm	1200 mm
2	600 mm	600 mm	.4 sq M	1500 mm	450 mm	750 mm	450 mm	900 mm	450 mm	1200 mm
2	600 mm	900 mm	.5 sq M	1500 mm	450 mm	750 mm	450 mm	900 mm	450 mm	1200 mm
2	900 mm	900 mm	.8 sq M	1650 mm	450 mm	750 mm	450 mm	900 mm	450 mm	1200 mm
2	900 mm	1200 mm	1.1 sq M	1650 mm	450 mm	750 mm	450 mm	900 mm	450 mm	1200 mm
2	1200 mm	900 mm	1.1 sq M	1950 mm	450 mm	750 mm	450 mm	900 mm	450 mm	1200 mm
2	1200 mm	1800 mm	2.2 sq M	1800 mm	450 mm	1200 mm	450 mm	900 mm	450 mm	1200 mm
2	1200 mm	1800 mm	2.2 sq M	1950 mm	450 mm	1200 mm	450 mm	900 mm	450 mm	1200 mm
2	1200 mm	2400 mm	2.9 sq M	1950 mm	450 mm	1200 mm	450 mm	1200 mm	450 mm	1200 mm
2	1800 mm	1500 mm	2.7 sq M	2550 mm	450 mm	1200 mm	450 mm	1200 mm	450 mm	1200 mm

**Footings:
Monument Signs**

EI01.01 5X12

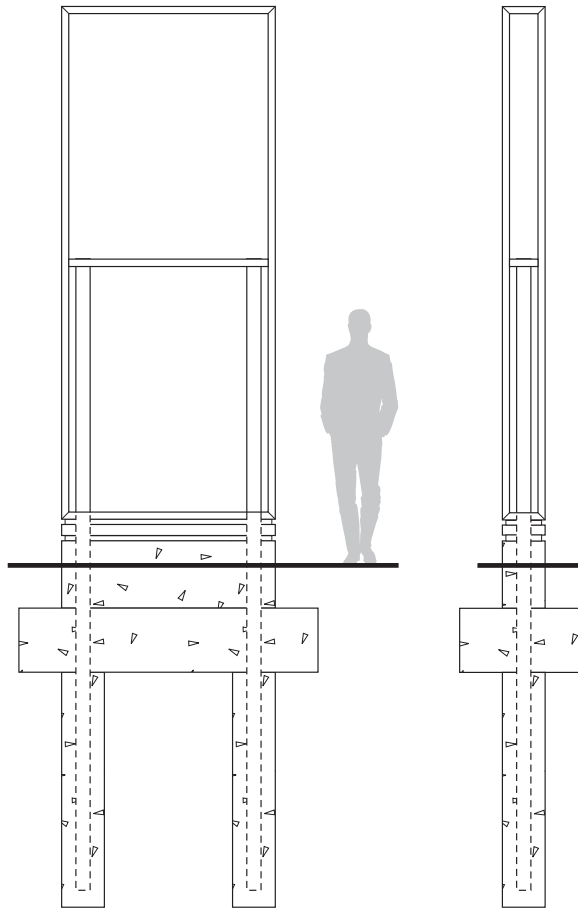


EI01.02 4X10

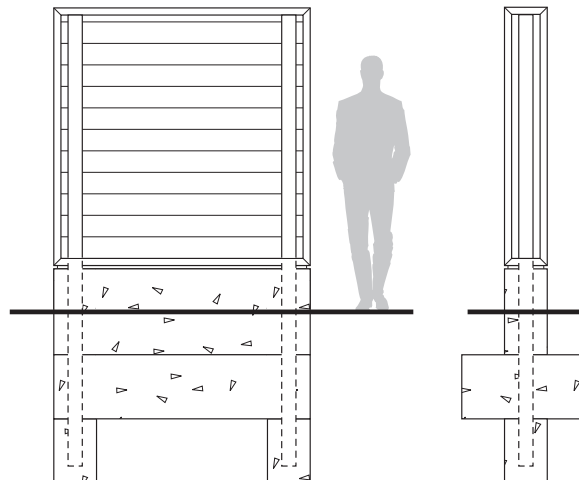


**Footings:
Monument Signs**

EI01.04 12X4



EI02.01 6X6



Footings: Post & Panel Signs

All footings must meet width and depth requirements to accommodate height and size of sign, soil conditions, wind loads and winter ground freezing.

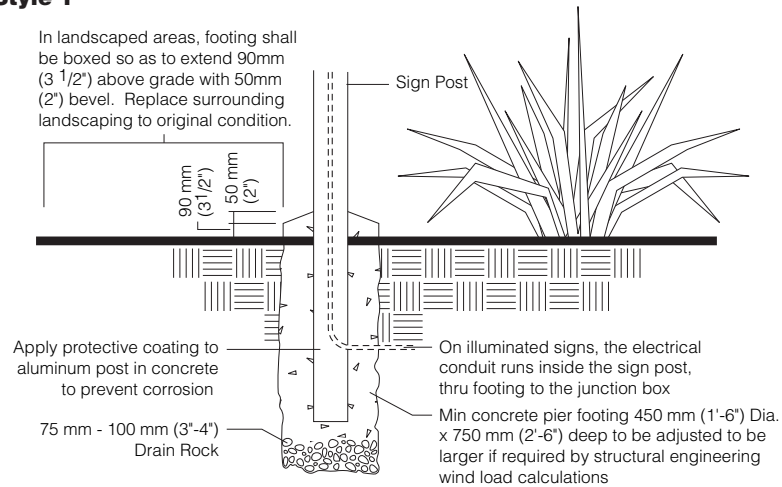
Style 1
Permanent installation in landscaped areas.

Signs installed in grass can have the raised concrete colors extended to cover the area between posts.

Style 2
Permanent installation in paved areas.

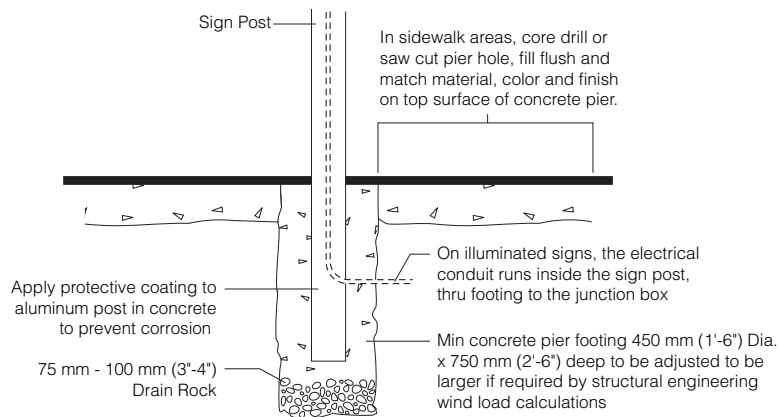
Style 1

In landscaped areas, footing shall be boxed so as to extend 90mm (3 1/2") above grade with 50mm (2") bevel. Replace surrounding landscaping to original condition.

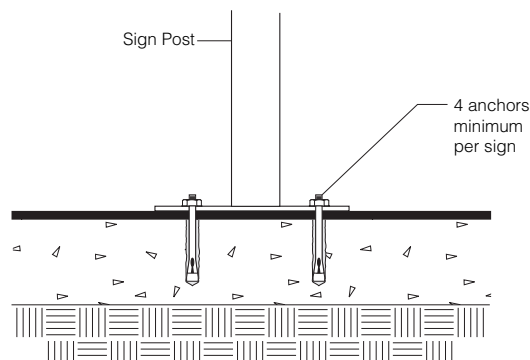


Style 1

In sidewalk areas, core drill or saw cut pier hole, fill flush and match material, color and finish on top surface of concrete pier.



Style 2



Footings: Post & Panel Signs

All footings must meet width and depth requirements to accommodate height and size of sign, soil conditions, wind loads and winter ground freezing.

Style 3
Semi-permanent installation in landscaped areas.

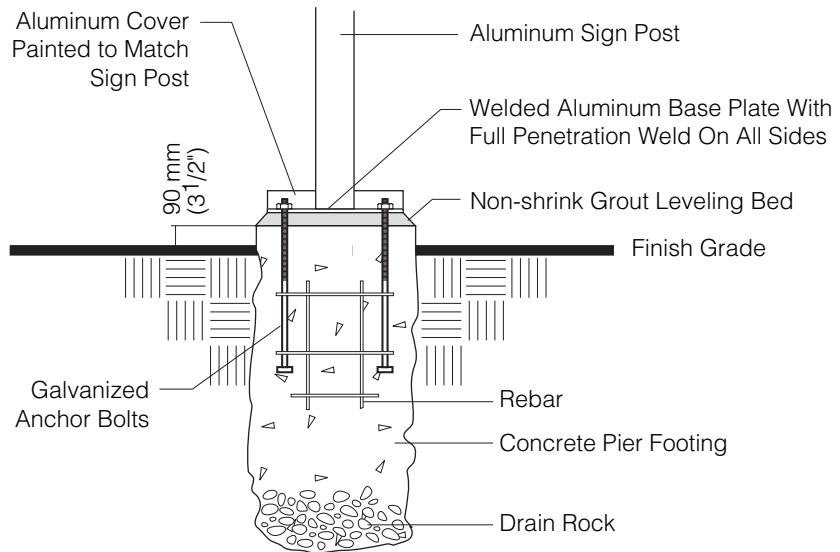
Use this type of installation when it is known that a sign will need to be removed or replaced in the near future.

Signs installed in grass can have the raised concrete colors extended to cover the area between the posts.

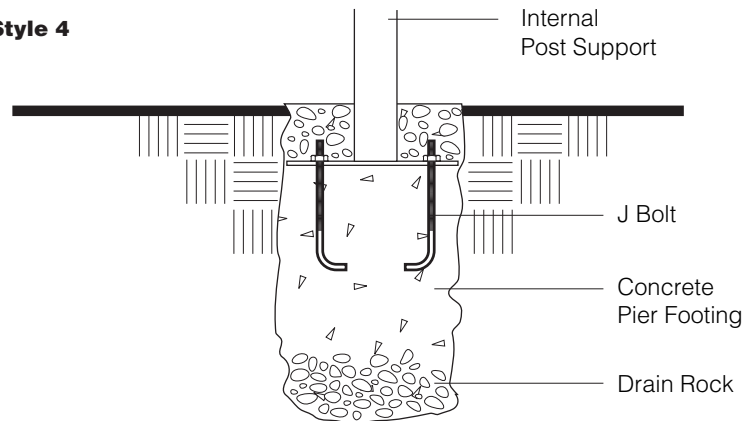
Style 4
Semi-permanent installation.

Use this type of installation when it is known that a sign will need to be removed or replaced in the near future.

Style 3



Style 4



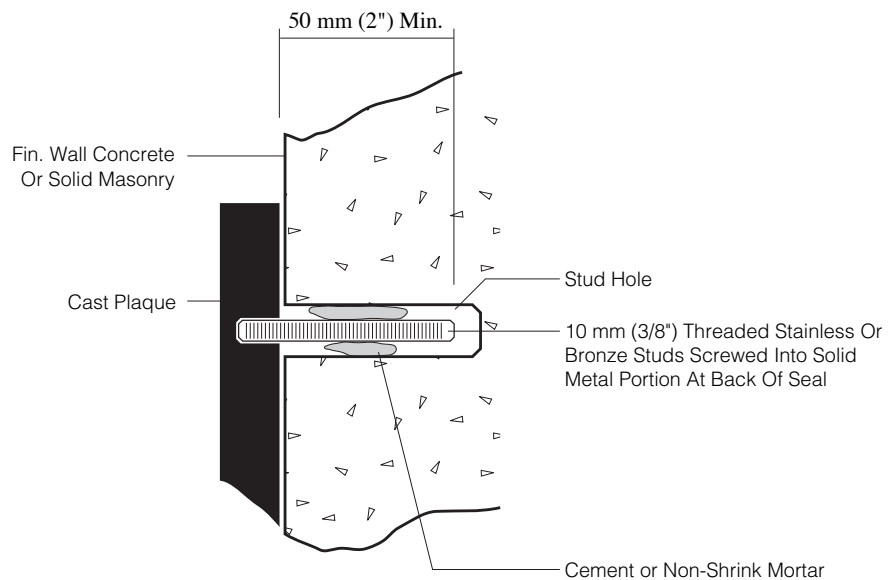
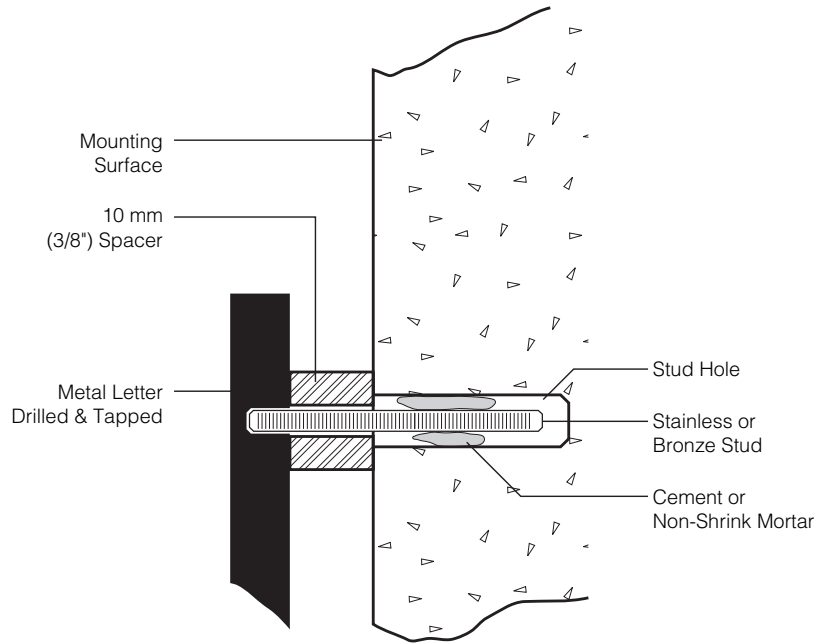
Mounting: Non-illuminated Letters

Metal letters that are installed on the exterior of the building should be done with spacers behind the letters. This will allow for rain to run down the building surface without creating streaking under the letters.

The size and length of the studs are to correlate to the size of the letter and the depth that's required for installation on a particular building surface.

Plaster and stucco building surfaces should have complete adhesive sealant application around the stud, where it penetrates the building, to prevent water intrusion into the building.

Letters that are installed on wall surfaces below 2438 mm (8 feet) should be installed flush to the wall with no spacers and additional adhesive applied to the back of the letters. This will increase the security of the letters against vandalism or theft.

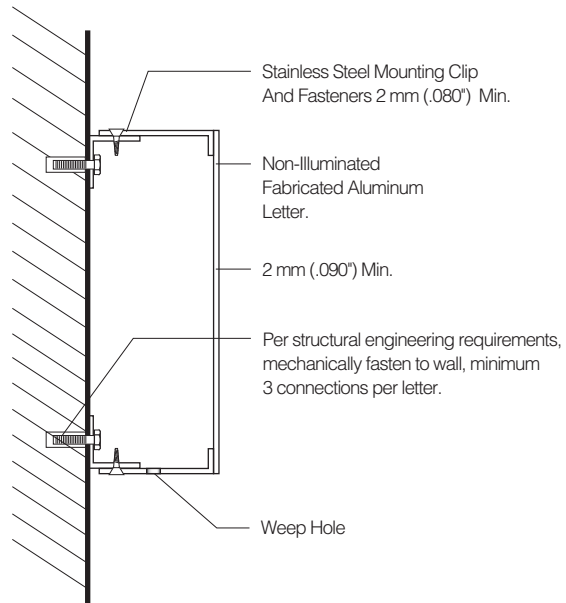


Mounting: Non-illuminated Fabricated Metal Letters

Fabricated metal letters that are installed on the exterior of the building should be done with slight space between the letter and the wall. This will allow for rain to run down the building surface without creating streaking under the letters.

Plaster and stucco building surfaces should have complete adhesive sealant application around the mounting clip, where its fastener penetrates the building. This is to prevent water intrusion into the building.

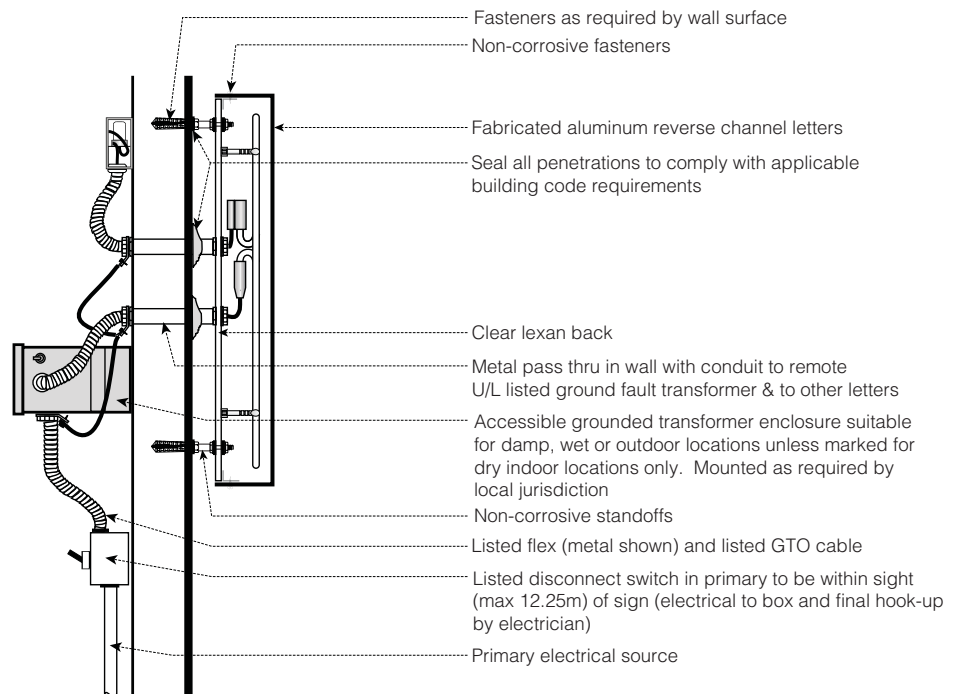
Letters that are installed on wall surfaces below 2438 mm (8 feet) should be installed with tamperproof fasteners. This will increase the security of the letters against vandalism or theft.



Mounting: Illuminated Letters

Installation of these letters should be done only by a licensed electrical sign company.

Consult with a local electrical sign company regarding the wall surface, accessibility and method of installation.



Wall Mounting: Non-Illuminated Signs

Aluminum wall panel signs shall be fastened with a minimum of 2 mechanical fasteners.

Anchors should be provided in the wall that are suitable for the particular type of wall surface where the sign is being installed.

