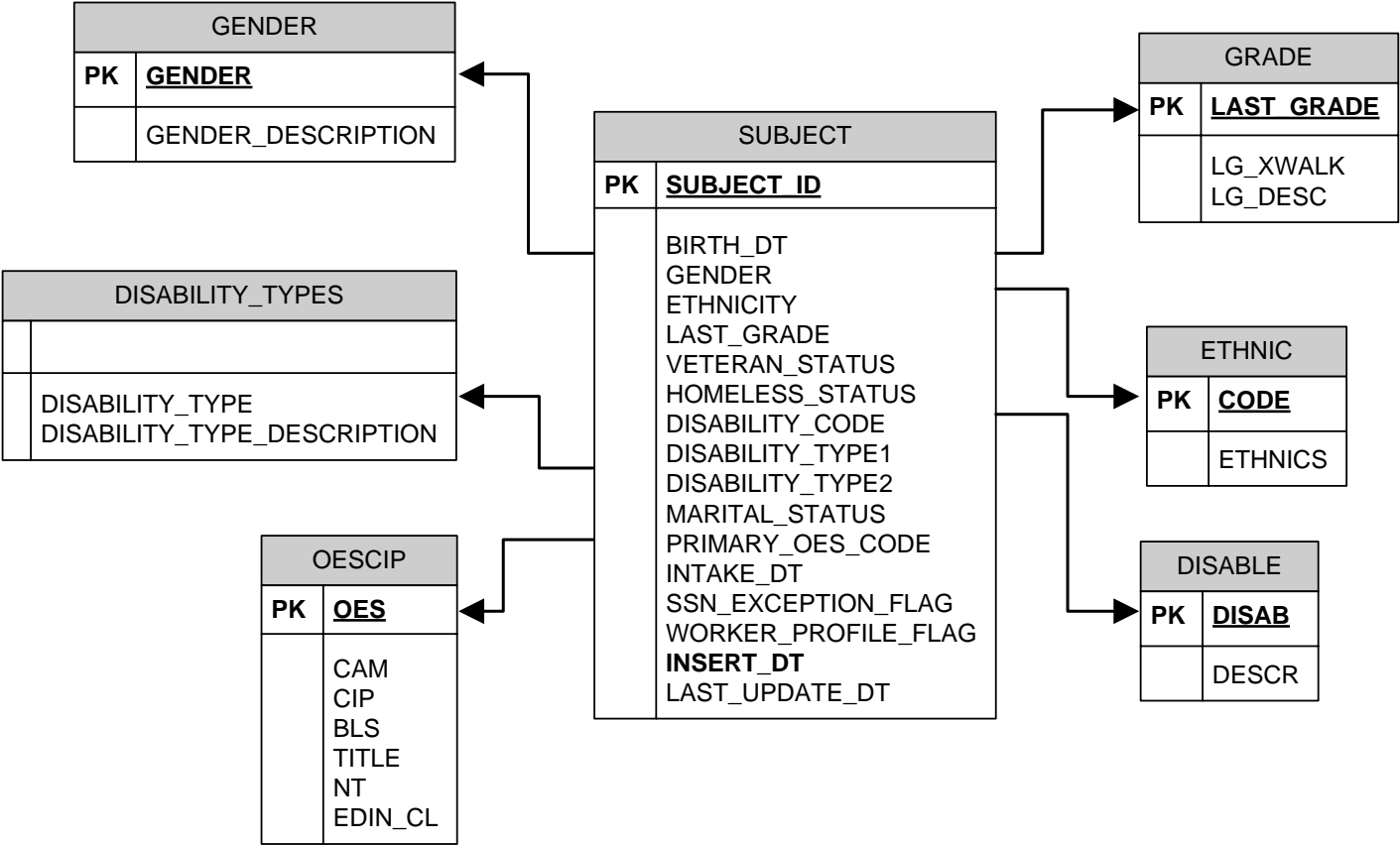
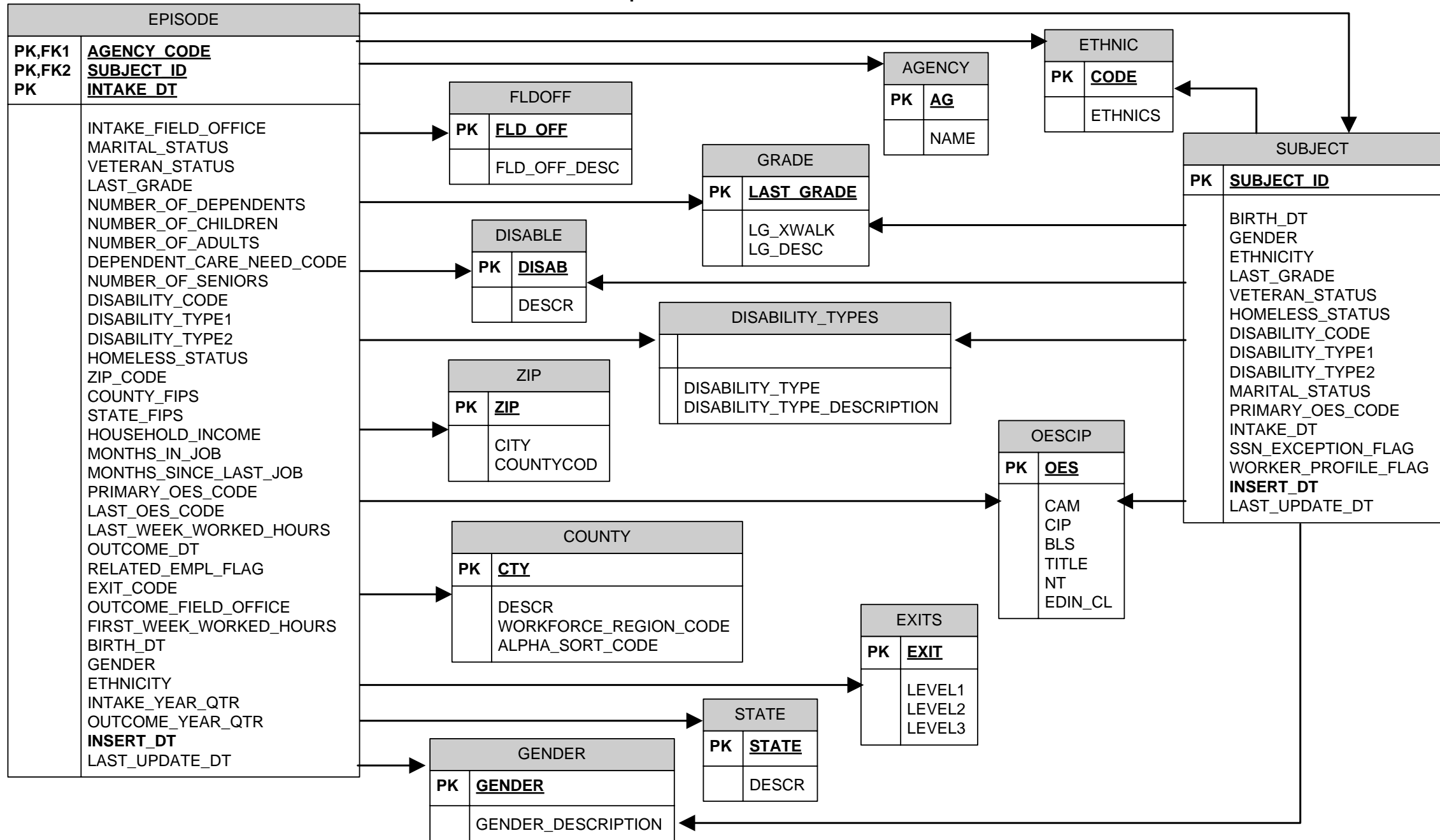


PRISM Data Model Subject Table



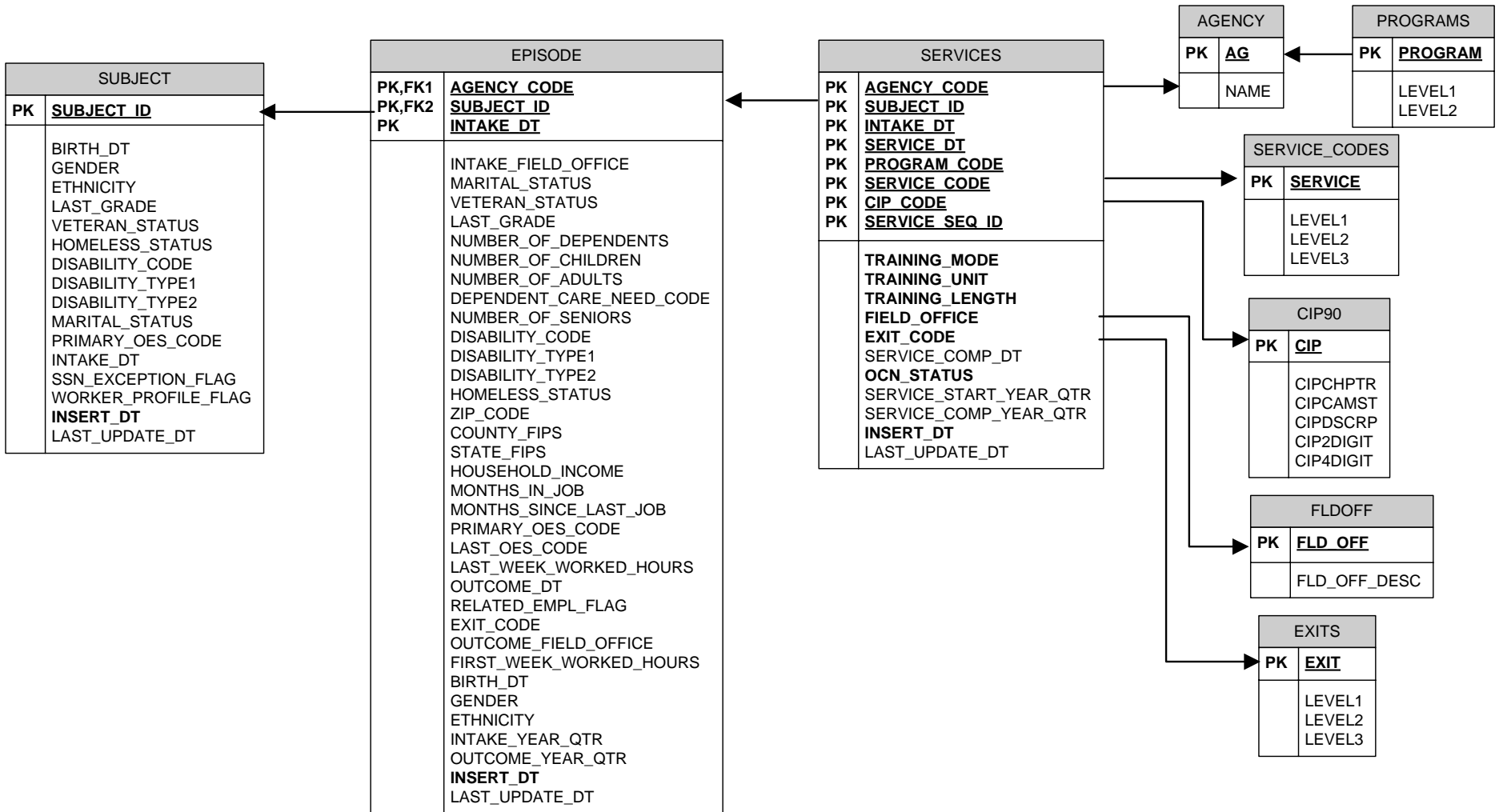
PRISM Data Model

Episode Table



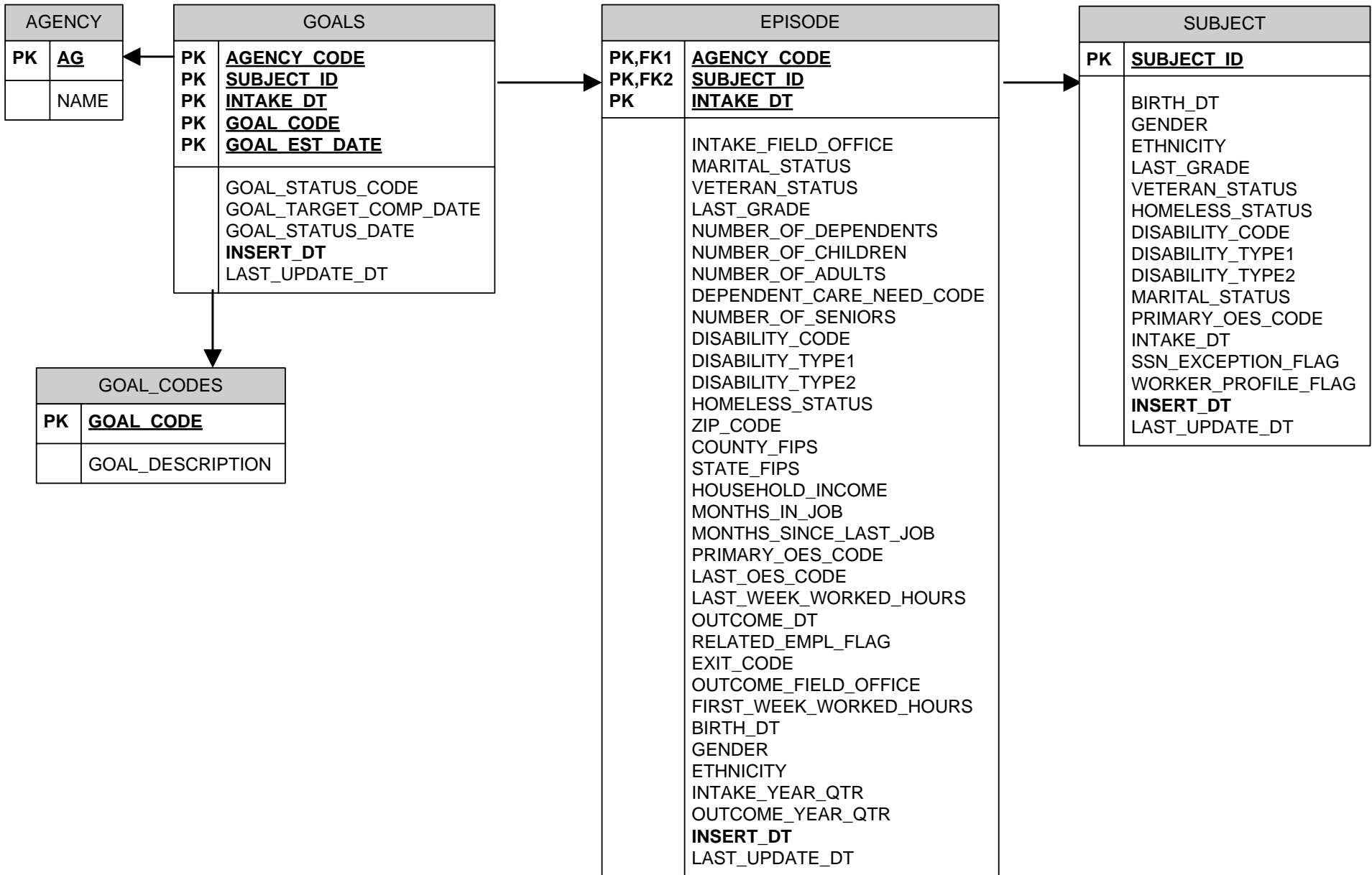
PRISM Data Model

Services Table



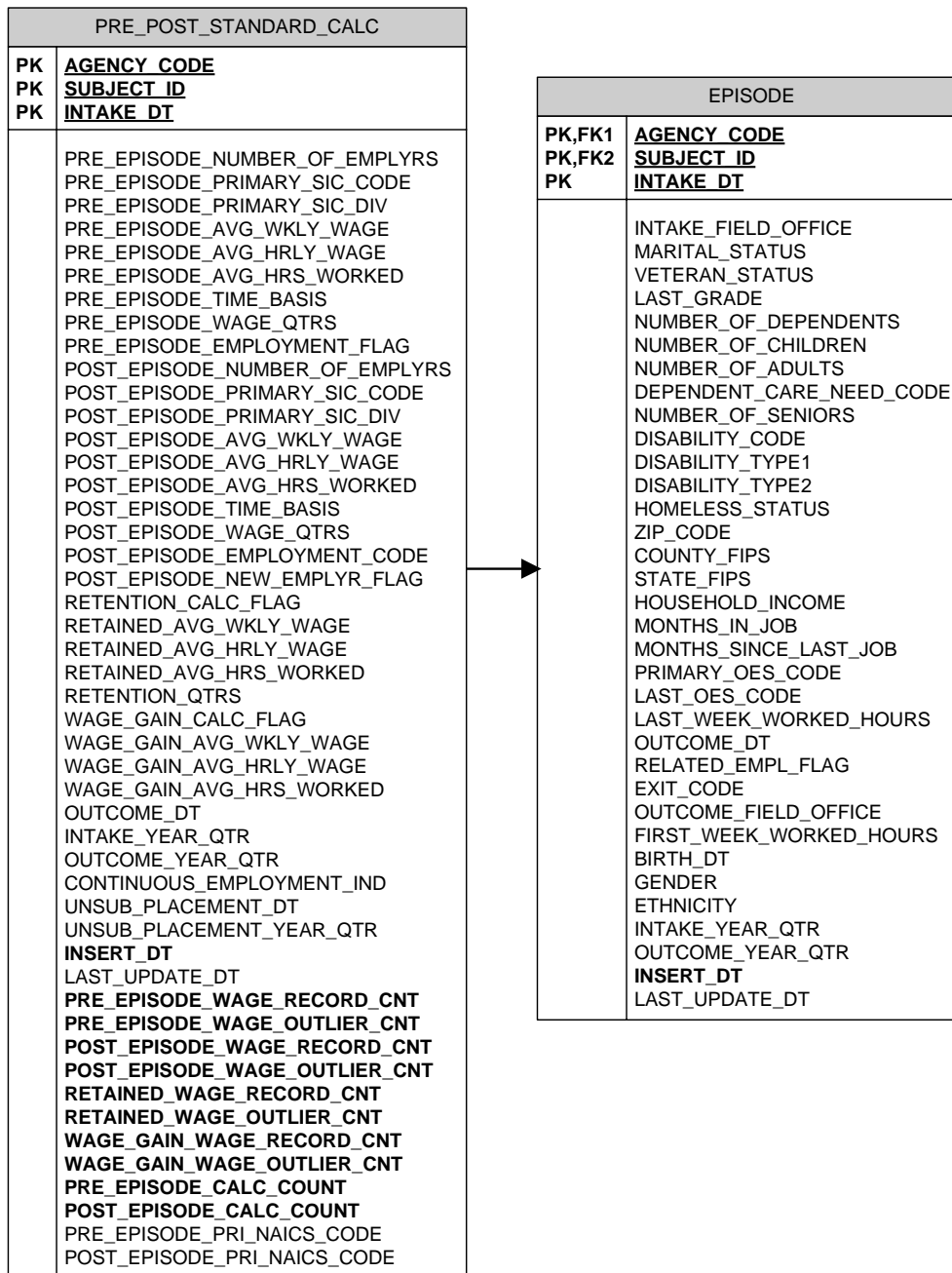
PRISM Data Model

Goals Table



PRISM Data Model

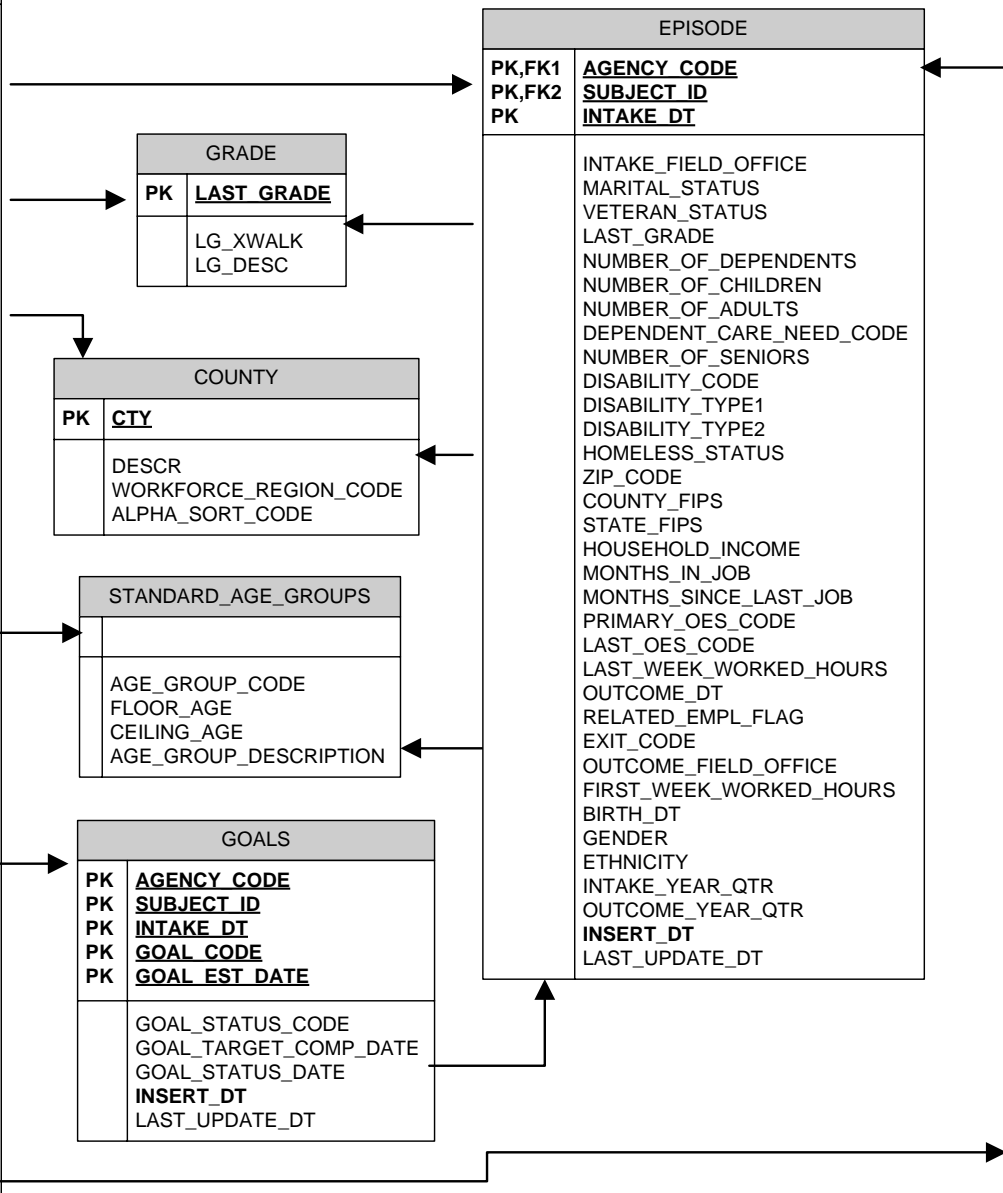
Pre-Post Standard Calc Table



PRISM Data Model

Post Outcome Perf Rpts Table

POST_OUTCOME_PERF_RPTS
SUBJECT_ID AGENCY_CODE INTAKE_DT
INTAKE_YEAR_QTR OUTCOME_DT OUTCOME_YEAR_QTR AGE_AT_INTAKE AGE_AT_EXIT GENDER ETHNICITY DISABILITY_CODE LAST_GRADE COUNTY_FIPS WQC_REGION_CODE STATE_FIPS OUTCOME_FIELD_OFFICE ZIP_CODE EMPLOYMENT_GOAL_FLAG BASIC_SKILL_GOAL_FLAG WORKFORCE_SKILL_GOAL_FLAG OCCUPATIONAL_SKILL_GOAL_FLAG ENROLLMENT_EDU_GOAL_FLAG COMPLETION_EDU_GOAL_FLAG SIC_CODE SIC_DIVISION POST_EPISODE_AVG_WKLY_WAGE POST_EPISODE_AVG_HRLY_WAGE POST_EPISODE_AVG_HRS_WORKED POST_EPISODE_WAGE_QTRS POST_EPISODE_EMPLOYMENT_CODE POST_EPISODE_NEW_EMPLYR_FLAG RETENTION_CALC_FLAG RETAINED_AVG_WKLY_WAGE RETAINED_AVG_HRLY_WAGE RETAINED_AVG_HRS_WORKED WAGE_GAIN_CALC_FLAG WAGE_GAIN_AVG_WKLY_WAGE WAGE_GAIN_AVG_HRLY_WAGE WAGE_GAIN_AVG_HRS_WORKED RETENTION_QTRS CONTINUOUS_EMPLOYMENT_IND UNSUB_PLACEMENT_DT UNSUB_PLACEMENT_YEAR_QTR PRE_EPISODE_WAGE_RECORD_CNT PRE_EPISODE_WAGE_OUTLIER_CNT POST_EPISODE_WAGE_RECORD_CNT POST_EPISODE_WAGE_OUTLIER_CNT RETAINED_WAGE_RECORD_CNT RETAINED_WAGE_OUTLIER_CNT WAGE_GAIN_WAGE_RECORD_CNT WAGE_GAIN_WAGE_OUTLIER_CNT POST_EPISODE_PRI_NAICS_CODE



PRE_POST_STANDARD_CALC	
PK	AGENCY_CODE
PK	SUBJECT_ID
PK	INTAKE_DT
	PRE_EPISODE_NUMBER_OF_EMPLYRS PRE_EPISODE_PRIMARY_SIC_CODE PRE_EPISODE_PRIMARY_SIC_DIV PRE_EPISODE_AVG_WKLY_WAGE PRE_EPISODE_AVG_HRLY_WAGE PRE_EPISODE_AVG_HRS_WORKED PRE_EPISODE_TIME_BASIS PRE_EPISODE_WAGE_QTRS PRE_EPISODE_EMPLOYMENT_FLAG POST_EPISODE_NUMBER_OF_EMPLYRS POST_EPISODE_PRIMARY_SIC_CODE POST_EPISODE_PRIMARY_SIC_DIV POST_EPISODE_AVG_WKLY_WAGE POST_EPISODE_AVG_HRLY_WAGE POST_EPISODE_AVG_HRS_WORKED POST_EPISODE_WAGE_QTRS POST_EPISODE_EMPLOYMENT_CODE POST_EPISODE_NEW_EMPLYR_FLAG RETENTION_CALC_FLAG RETAINED_AVG_WKLY_WAGE RETAINED_AVG_HRLY_WAGE RETAINED_AVG_HRS_WORKED RETENTION_QTRS WAGE_GAIN_CALC_FLAG WAGE_GAIN_AVG_WKLY_WAGE WAGE_GAIN_AVG_HRLY_WAGE WAGE_GAIN_AVG_HRS_WORKED OUTCOME_DT INTAKE_YEAR_QTR OUTCOME_YEAR_QTR CONTINUOUS_EMPLOYMENT_IND UNSUB_PLACEMENT_DT UNSUB_PLACEMENT_YEAR_QTR INSERT_DT LAST_UPDATE_DT PRE_EPISODE_WAGE_RECORD_CNT PRE_EPISODE_WAGE_OUTLIER_CNT POST_EPISODE_WAGE_RECORD_CNT POST_EPISODE_WAGE_OUTLIER_CNT RETAINED_WAGE_RECORD_CNT RETAINED_WAGE_OUTLIER_CNT WAGE_GAIN_WAGE_RECORD_CNT WAGE_GAIN_WAGE_OUTLIER_CNT PRE_EPISODE_CALC_COUNT POST_EPISODE_CALC_COUNT PRE_EPISODE_PRI_NAICS_CODE POST_EPISODE_PRI_NAICS_CODE