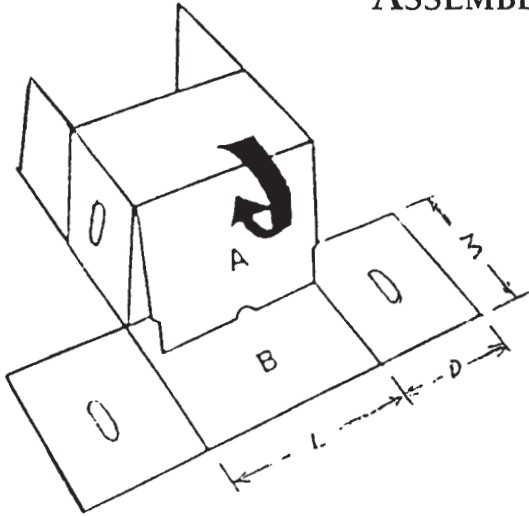
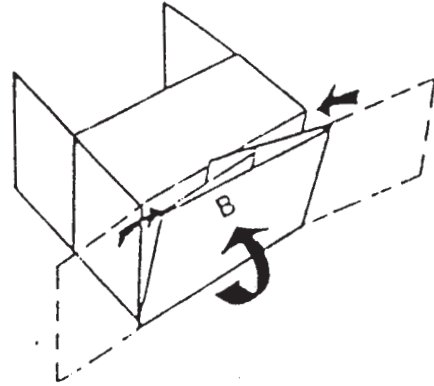


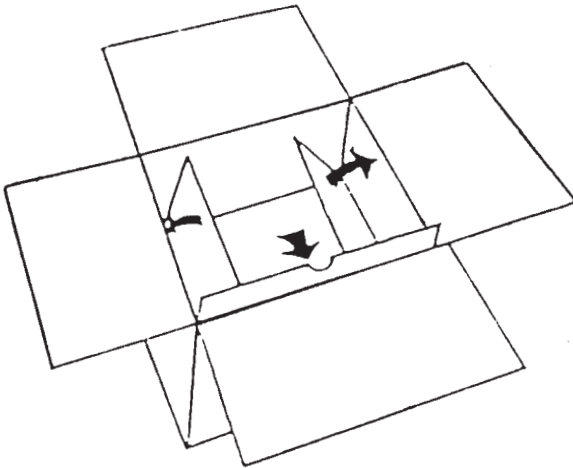
ASSEMBLY INSTRUCTIONS



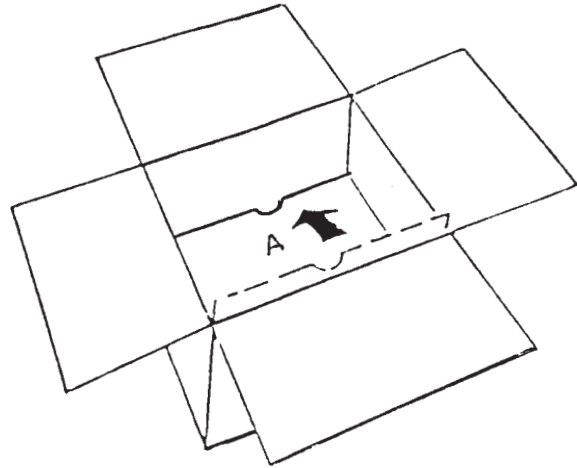
STEP 1. Square up box on its side, and fold flap A inside.



STEP 2. Fold extensions over on flap B, and fold to closed position.



STEP 3. Lift flap A to vertical position, then lift and fold extensions of flap B up against end walls of box.



STEP 4. Lower flap A to bottom of box.

STEP 5. Fold all flaps in (small flaps first, large flaps last).

