

# HIV Molecular Immunology 2006: Maps of CTL/CD8+ Epitope Locations Plotted by Protein

Theoretical Biology & Biophysics, Los Alamos National Laboratory

July 31, 2008

All HIV CTL/CD8+ epitopes mapped to within a region of 14 amino acids or less are indicated on the HIV protein epitope maps. The location and HLA restriction elements of CTL/CD8+ epitopes are indicated on protein sequences of HXB2. These maps are meant to provide the relative location of defined epitopes on a given protein, but the HXB2 sequence may not actually carry the epitope of interest, as it may vary relative to the sequence for which the epitope was defined. Epitopes with identical boundaries and HLA fields are included in the maps only once. If one laboratory determines HLA presenting molecules at the serotype level (example: A2) and another at the genotype level (example: A\*0201) both will be included in the map. MHC specificities are indicative of the host species; when no MHC presenting molecule is defined, the host species is noted.



Figure 2: p17 CTL/CD8+ Map aa 1–100 2/2

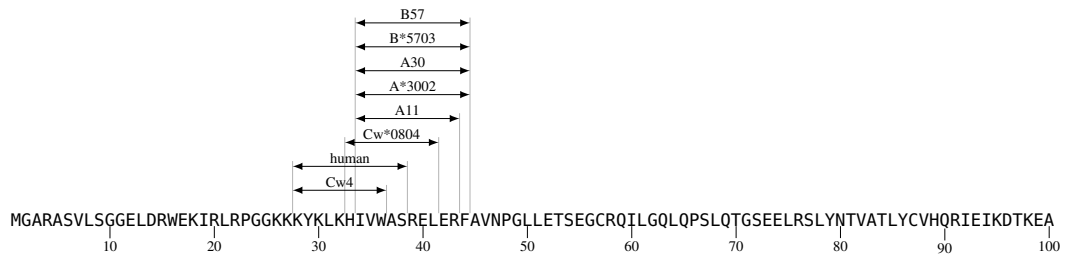
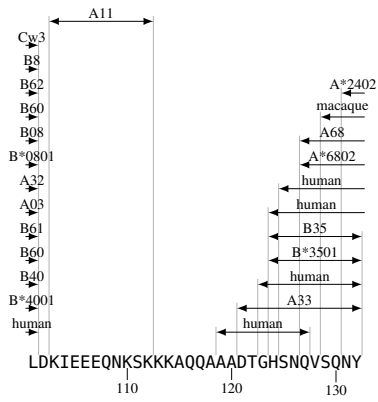


Figure 3: p17 CTL/CD8+ Map aa 101–132



## 2 p24 CTL/CD8+ Epitope Map

Figure 4: p24 CTL/CD8+ Map aa 1-100

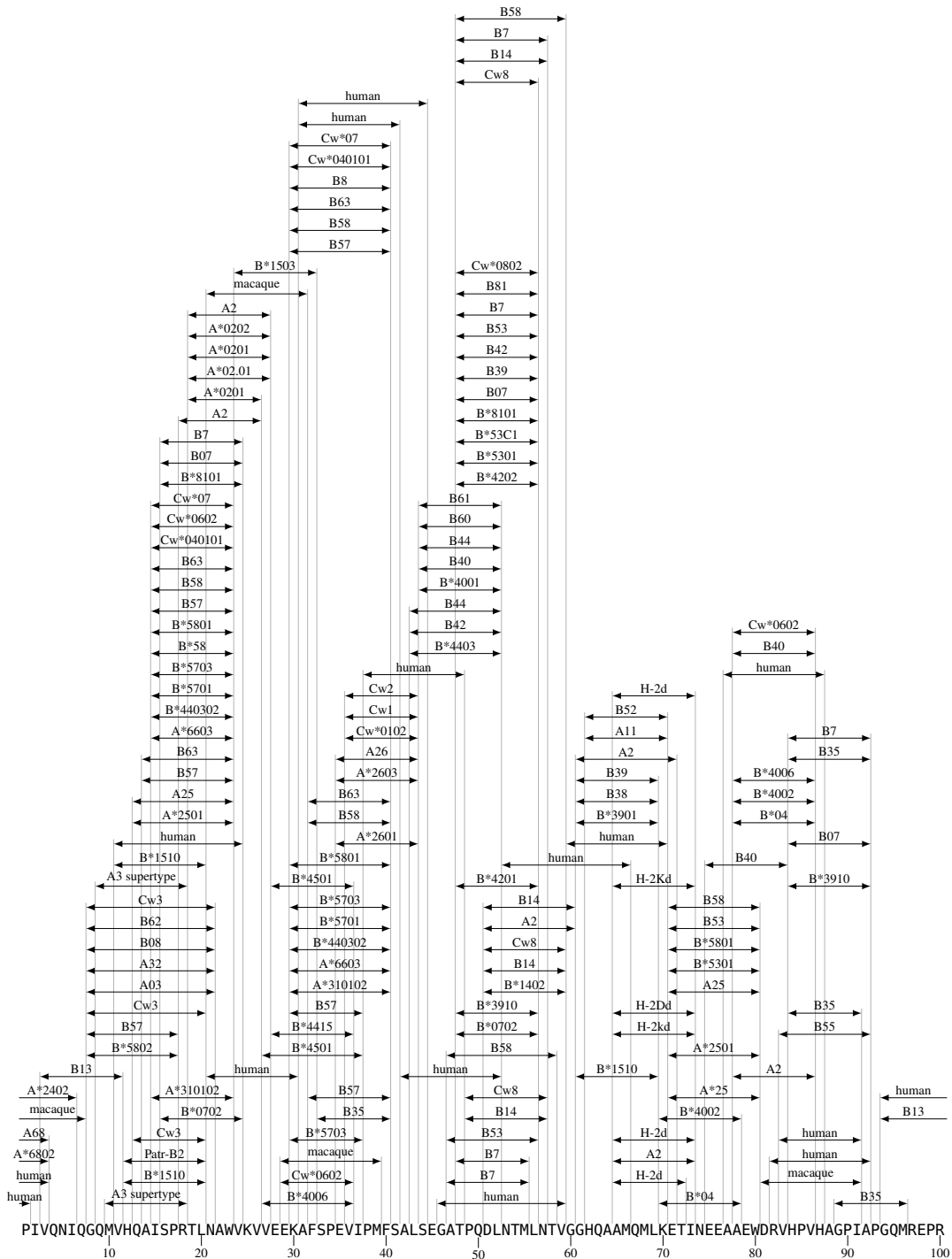


Figure 5: p24 CTL/CD8+ Map aa 101–200

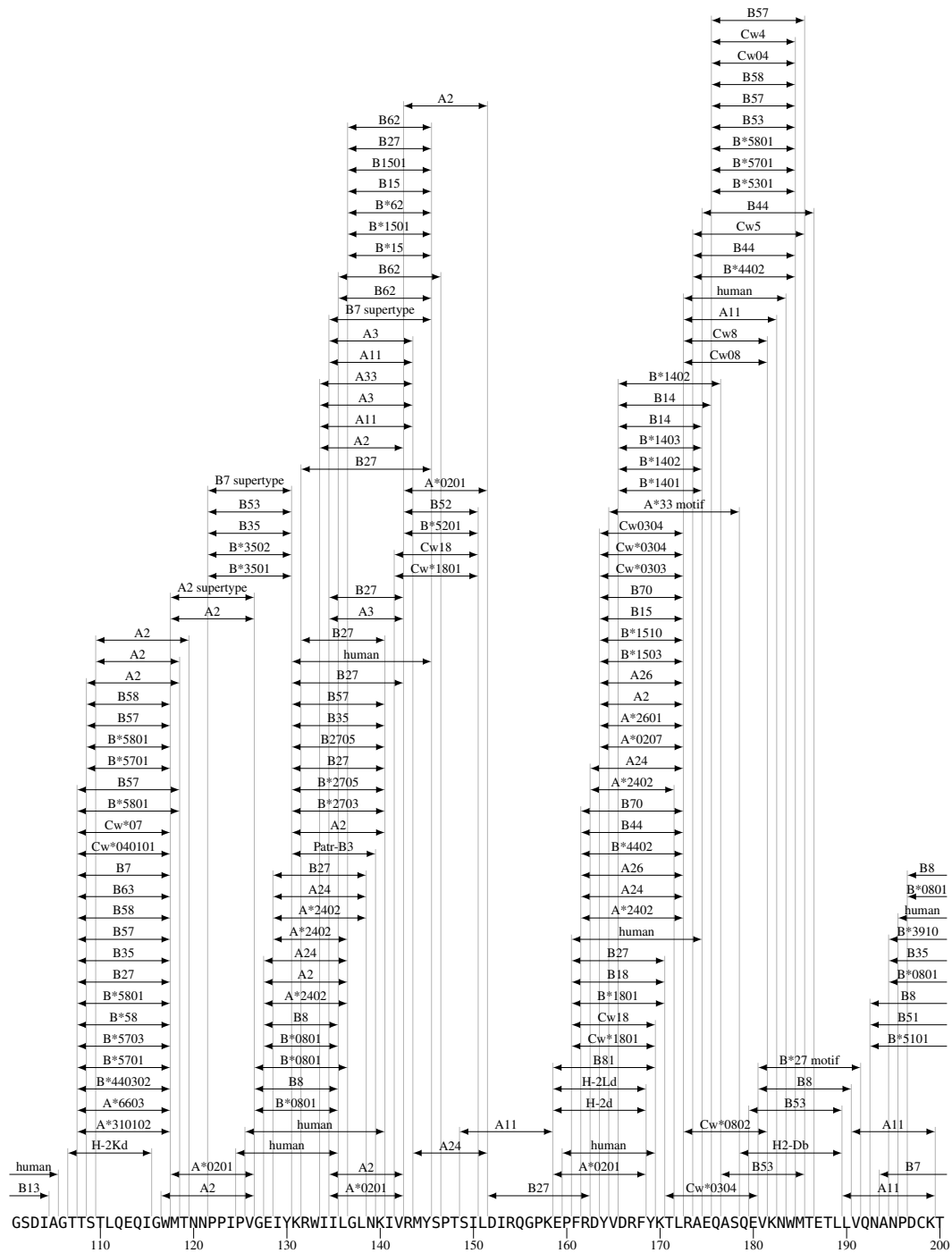
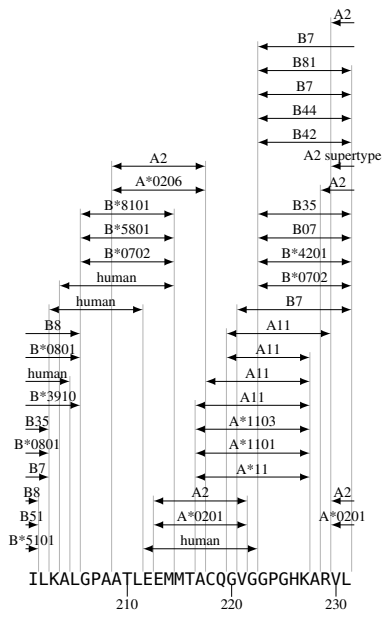


Figure 6: p24 CTL/CD8+ Map aa 201–231



### 3 p2p7p1p6 CTL/CD8+ Epitope Map

Figure 7: p2p7p1p6 CTL/CD8+ Map aa 1–100

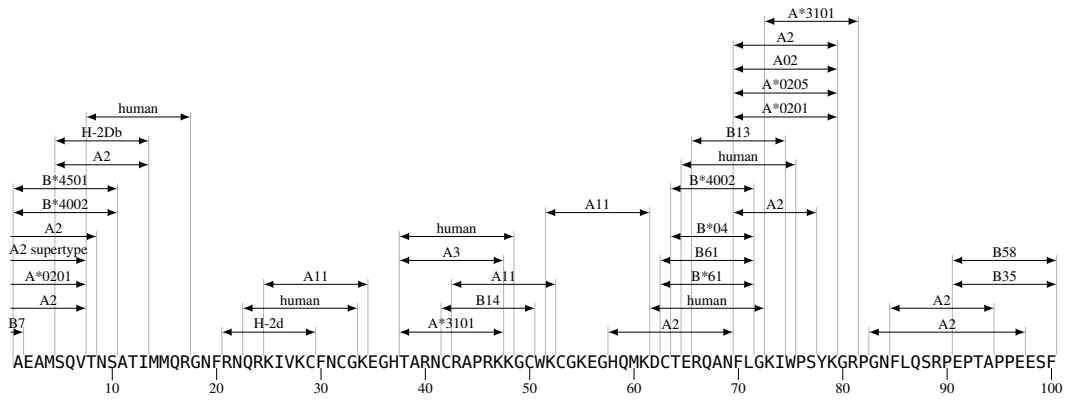
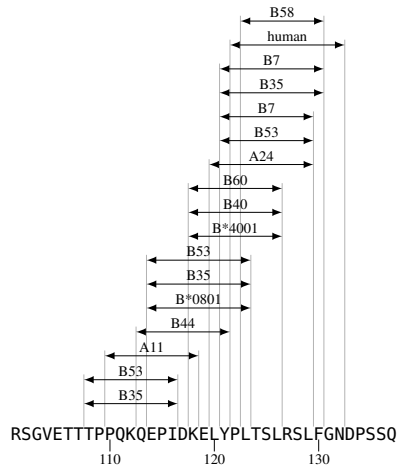
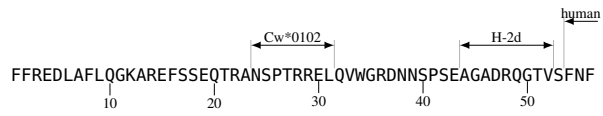


Figure 8: p2p7p1p6 CTL/CD8+ Map aa 101–137



## 4 Gag/Pol TF CTL/CD8+ Epitope Map

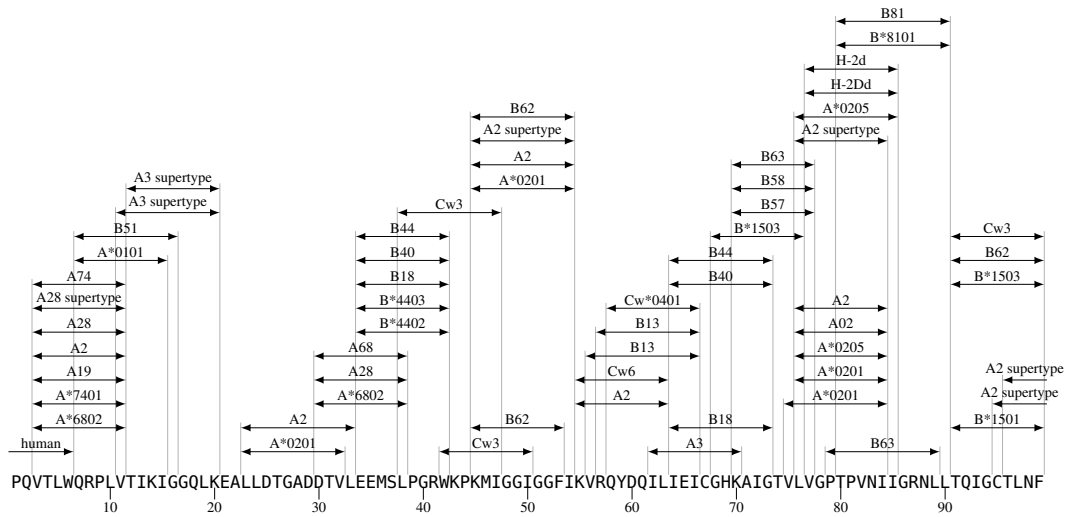
Figure 9: Gag/Pol TF CTL/CD8+ Map aa 1-56





## 5 Protease CTL/CD8+ Epitope Map

Figure 10: Protease CTL/CD8+ Map aa 1–99



## 6 RT CTL/CD8+ Epitope Map

Figure 11: RT CTL/CD8+ Map aa 1–100

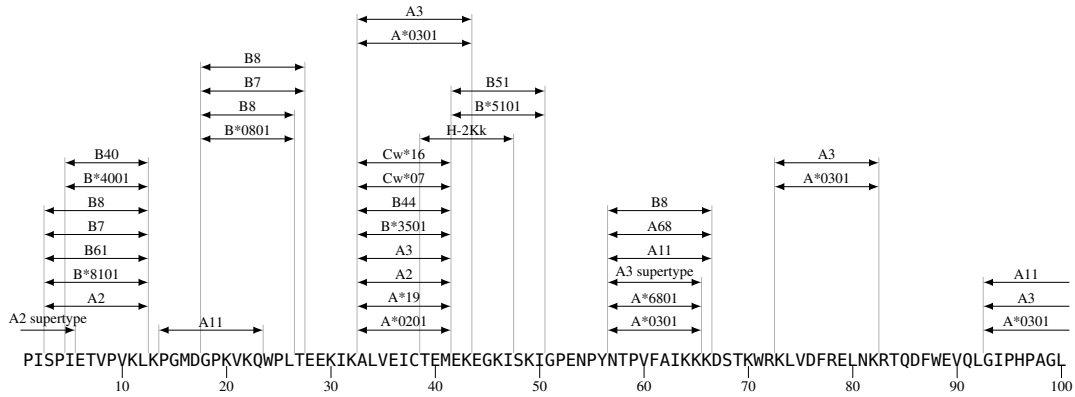


Figure 12: RT CTL/CD8+ Map aa 101–200

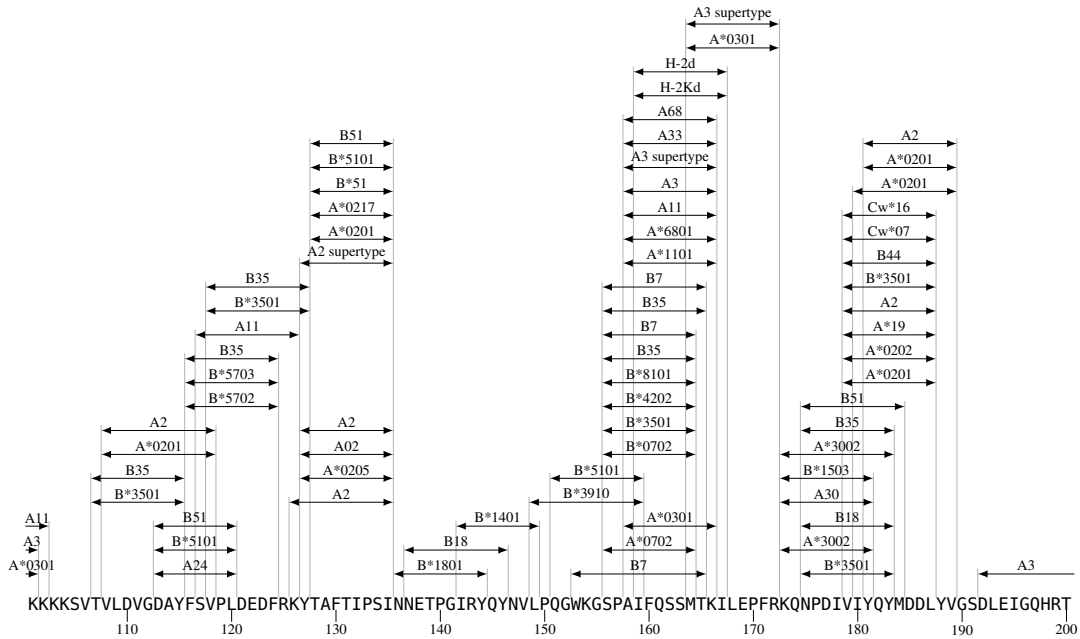


Figure 13: RT CTL/CD8+ Map aa 201–300

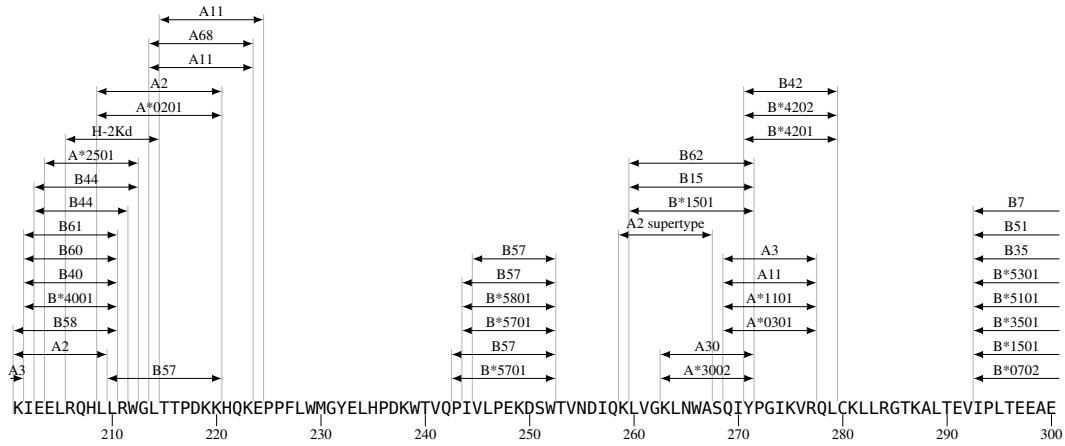


Figure 14: RT CTL/CD8+ Map aa 301–400

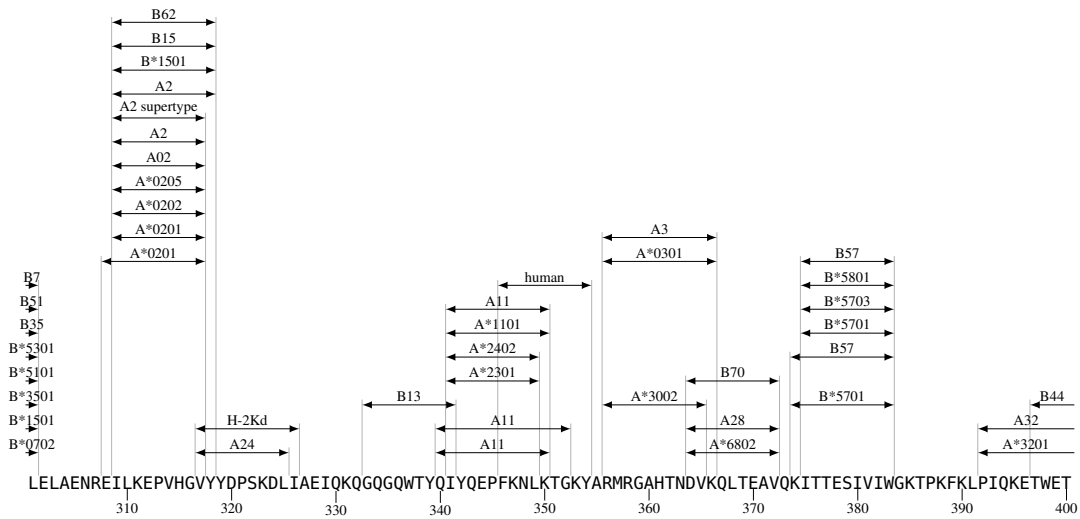


Figure 15: RT CTL/CD8+ Map aa 401–500

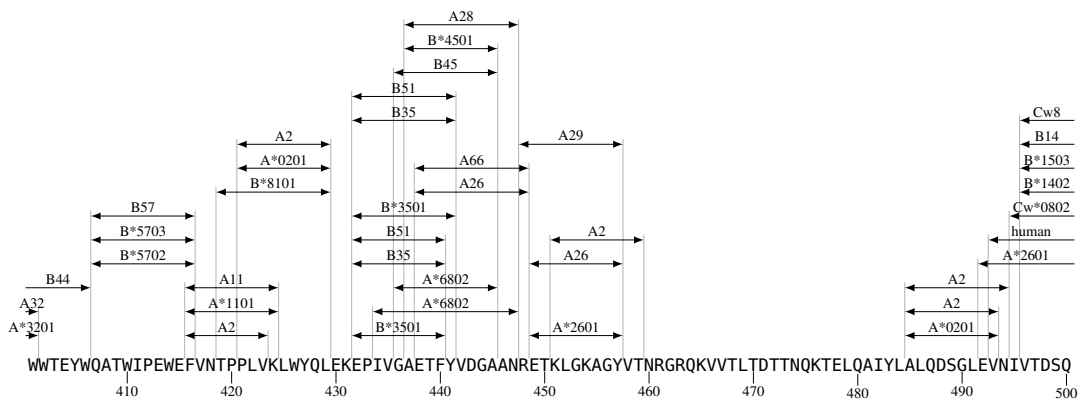
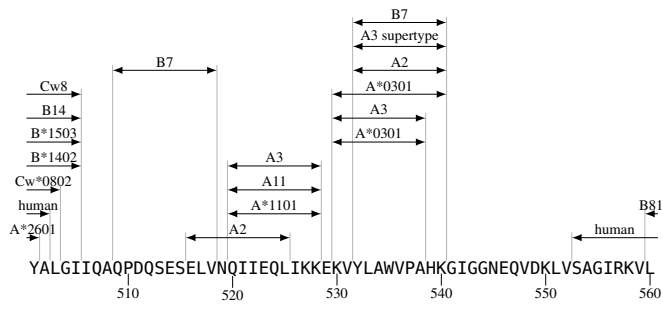


Figure 16: RT CTL/CD8+ Map aa 501–560



## 7 Integrase CTL/CD8+ Epitope Map

Figure 17: Integrase CTL/CD8+ Map aa 1–100

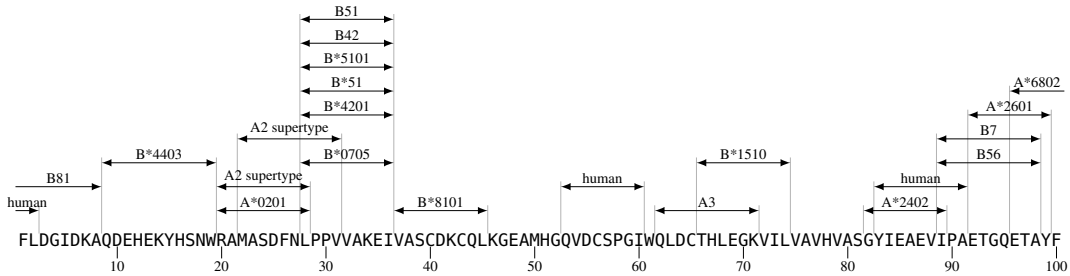


Figure 18: Integrase CTL/CD8+ Map aa 101–200

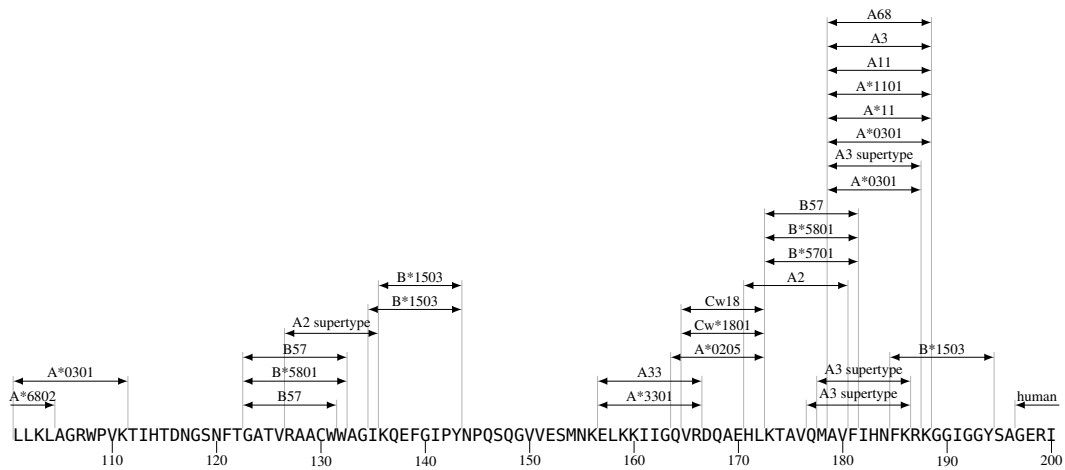
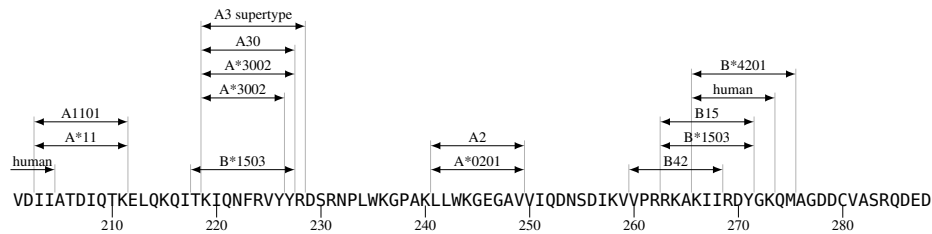


Figure 19: Integrase CTL/CD8+ Map aa 201–288



## 8 Vif CTL/CD8+ Epitope Map

Figure 20: Vif CTL/CD8+ Map aa 1–100

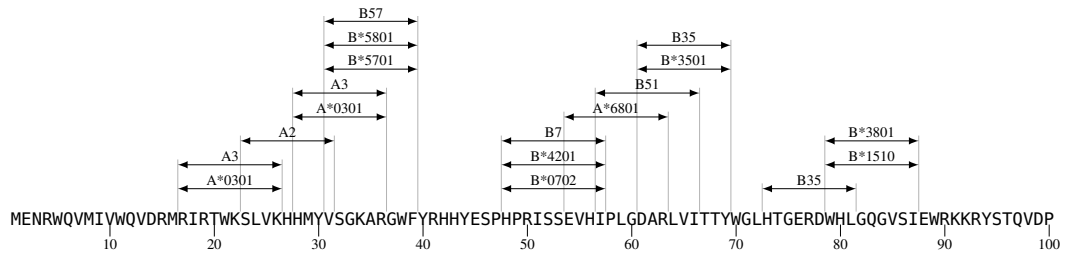
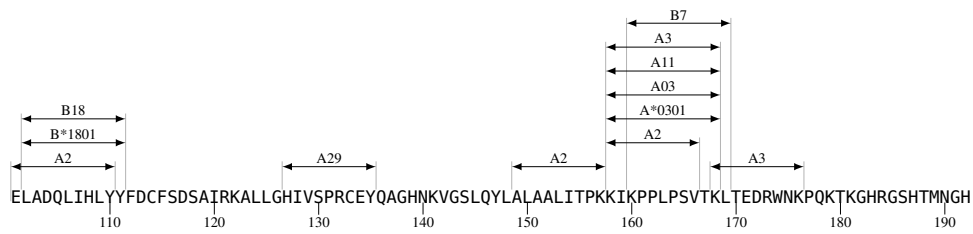
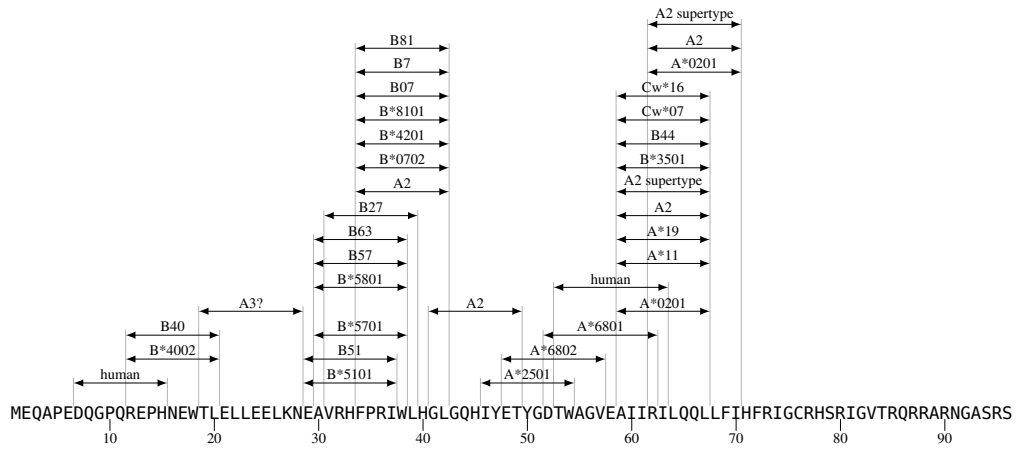


Figure 21: Vif CTL/CD8+ Map aa 101–192



## 9 Vpr CTL/CD8+ Epitope Map

Figure 22: Vpr CTL/CD8+ Map aa 1–96



## 10 Tat CTL/CD8+ Epitope Map

Figure 23: Tat CTL/CD8+ Map aa 1–100

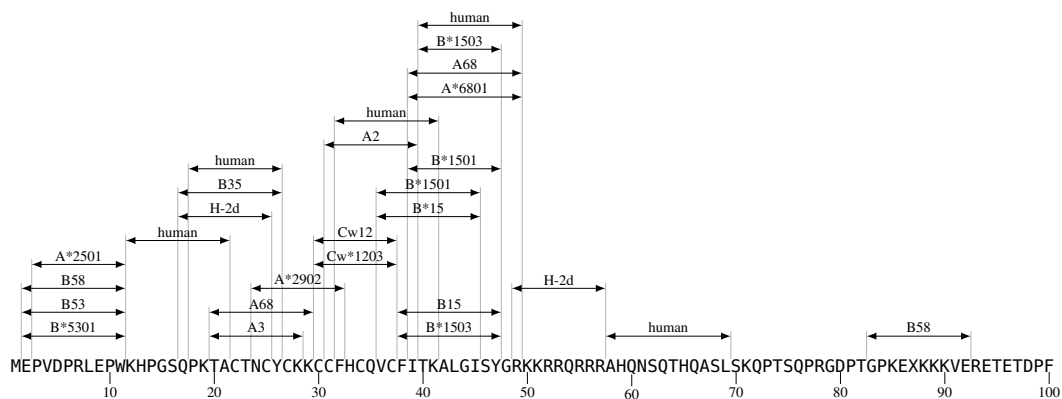


Figure 24: Tat CTL/CD8+ Map aa 101–101

D  
101



# 11 Rev CTL/CD8+ Epitope Map

Figure 25: Rev CTL/CD8+ Map aa 1–100

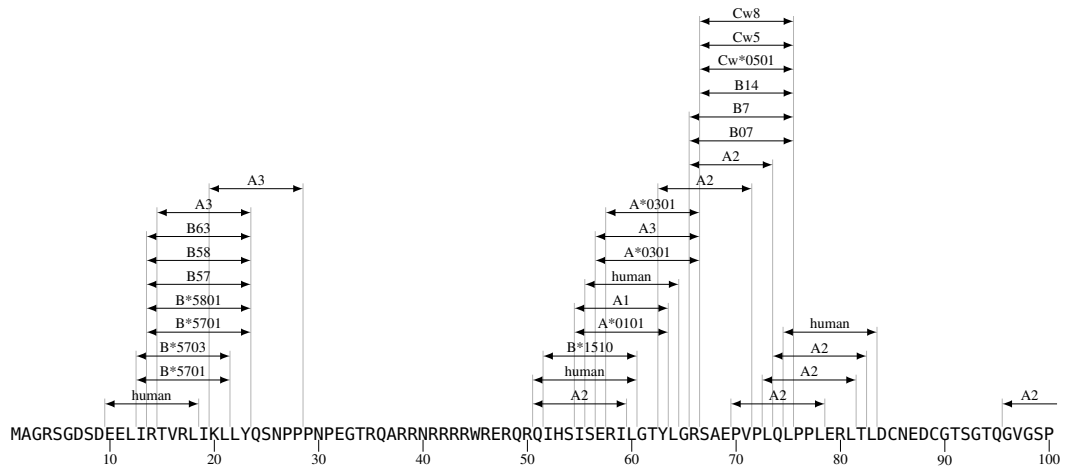
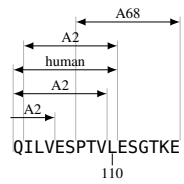
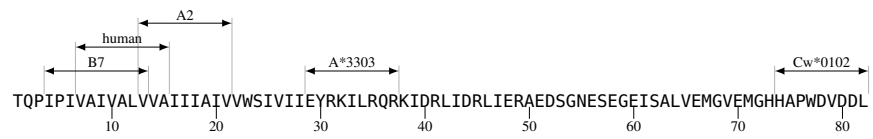


Figure 26: Rev CTL/CD8+ Map aa 101–116



## 12 Vpu CTL/CD8+ Epitope Map

Figure 27: Vpu CTL/CD8+ Map aa 1–82



### 13 gp160 CTL/CD8+ Epitope Map

Figure 28: gp160 CTL/CD8+ Map aa 1–100

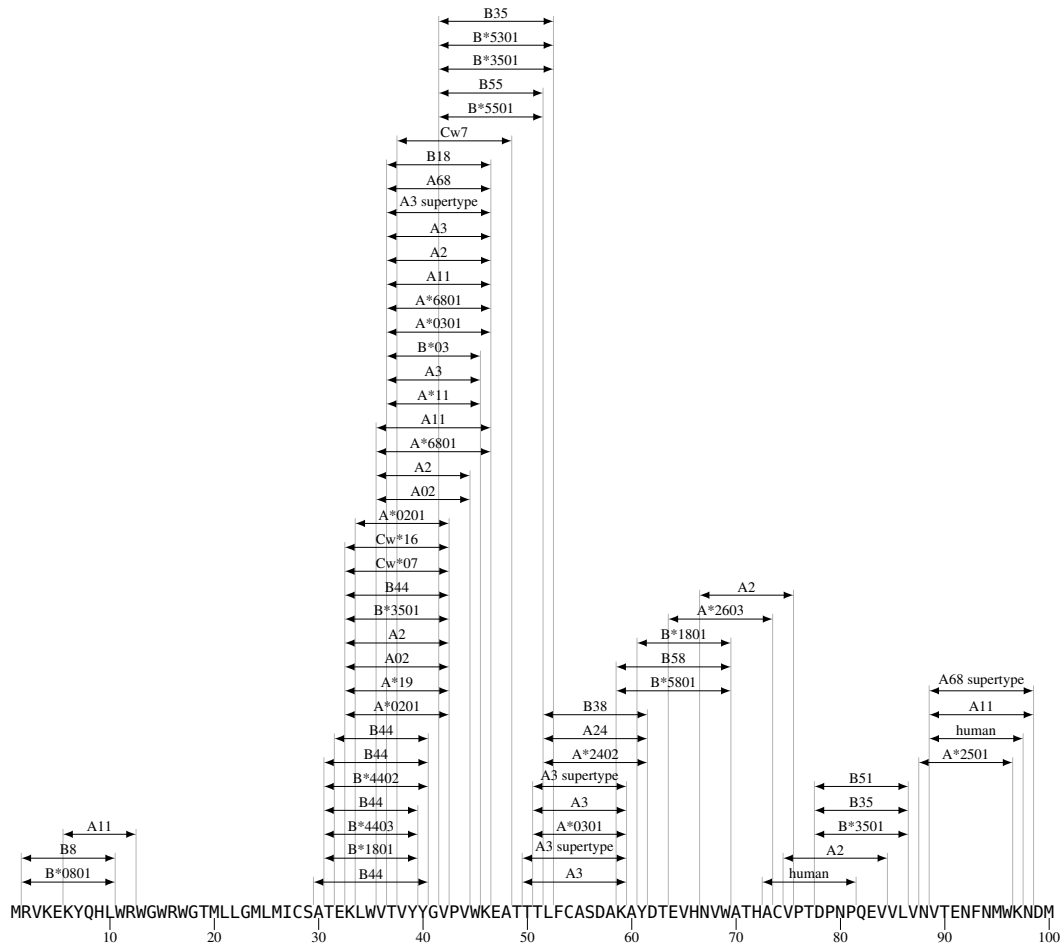


Figure 29: gp160 CTL/CD8+ Map aa 101–200

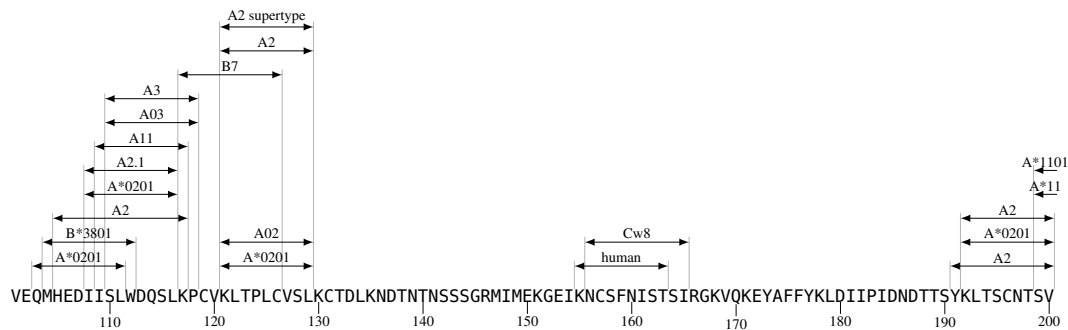


Figure 30: gp160 CTL/CD8+ Map aa 201–300

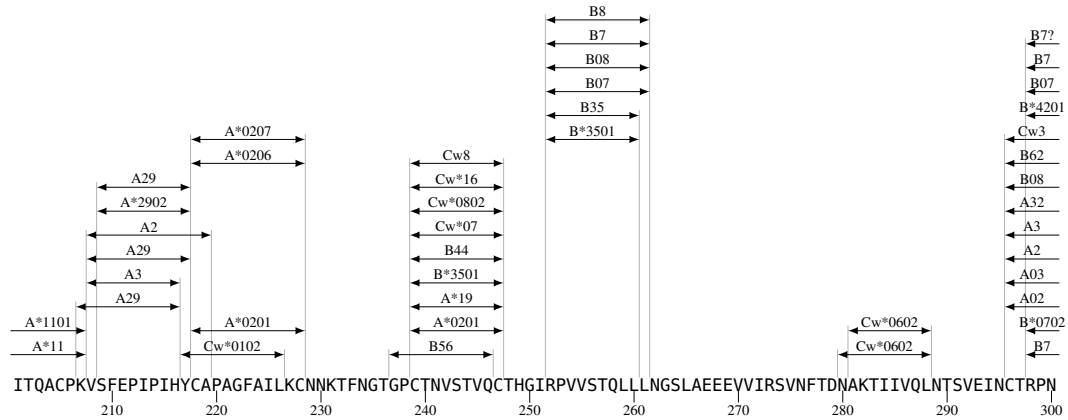


Figure 31: gp160 CTL/CD8+ Map aa 301–400

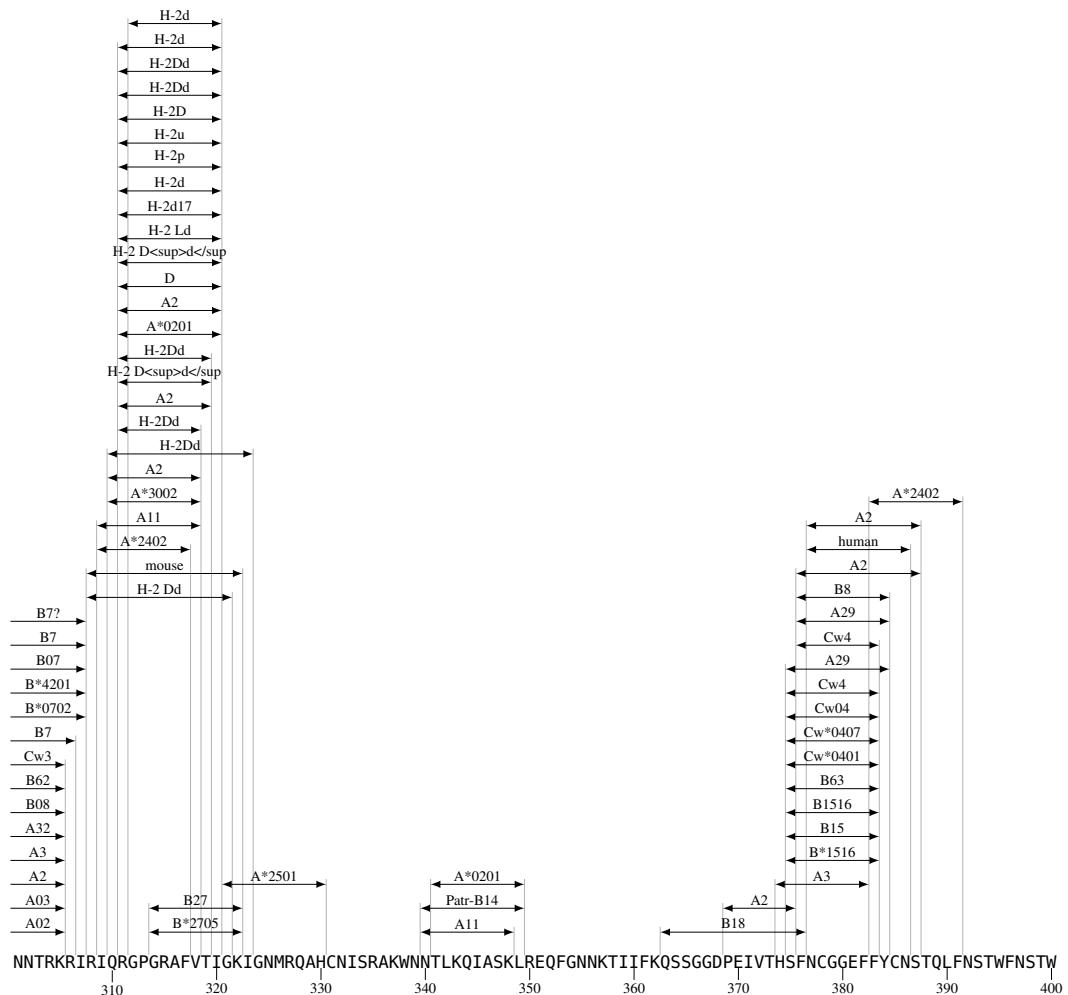


Figure 32: gp160 CTL/CD8+ Map aa 401–500

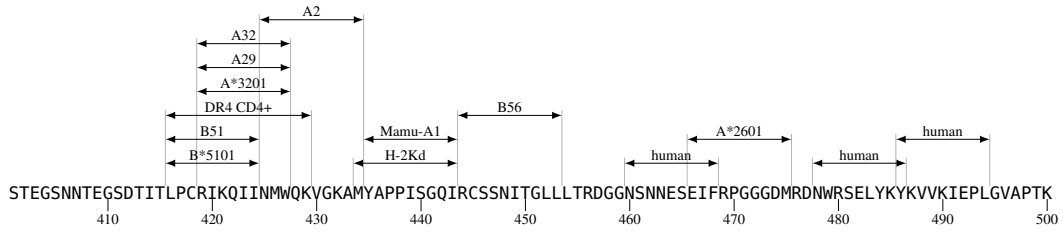


Figure 33: gp160 CTL/CD8+ Map aa 501–600

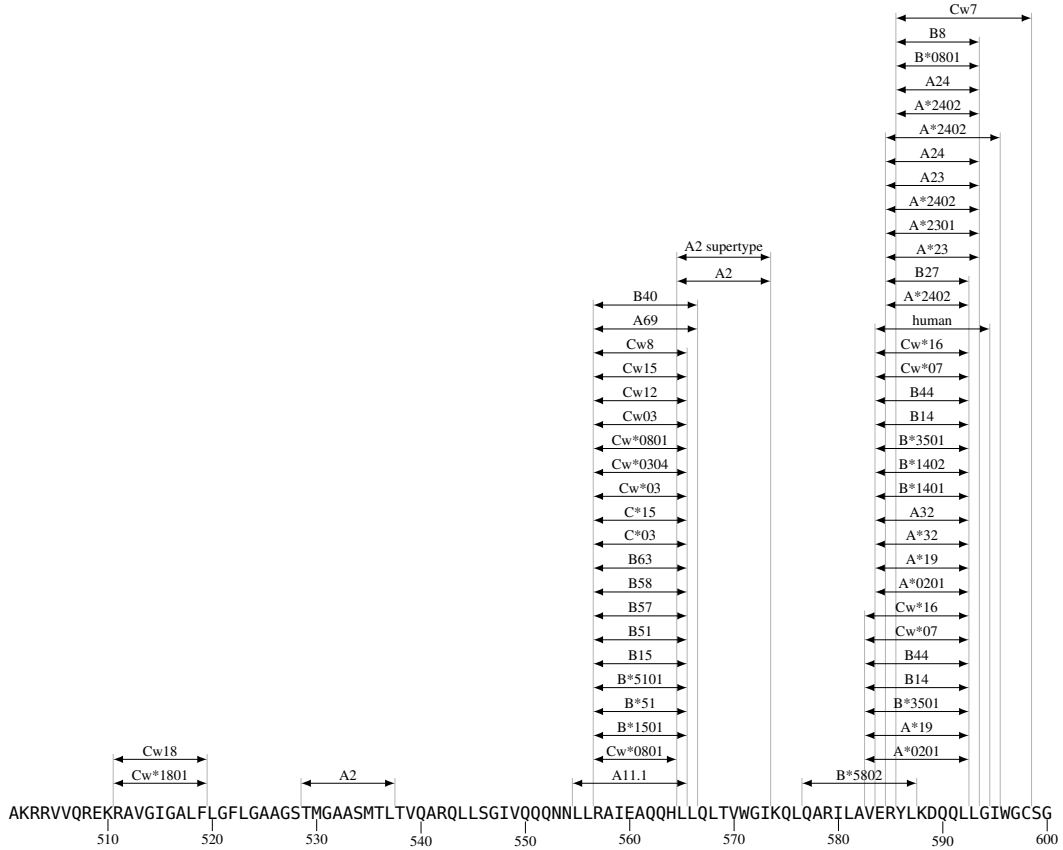


Figure 34: gp160 CTL/CD8+ Map aa 601–700

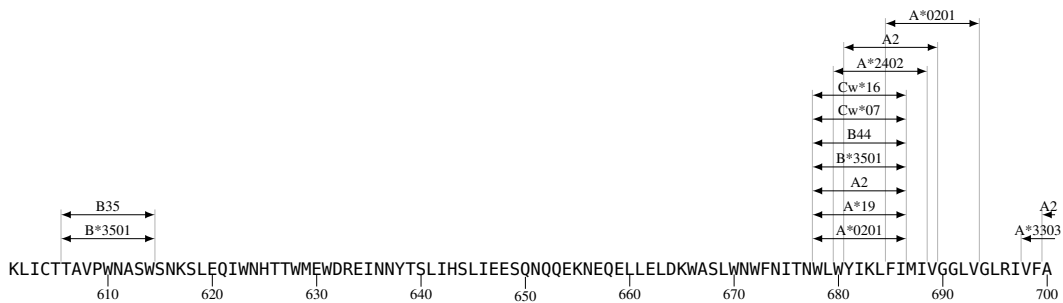






Figure 38: Nef CTL/CD8+ Map aa 1-100 2/2

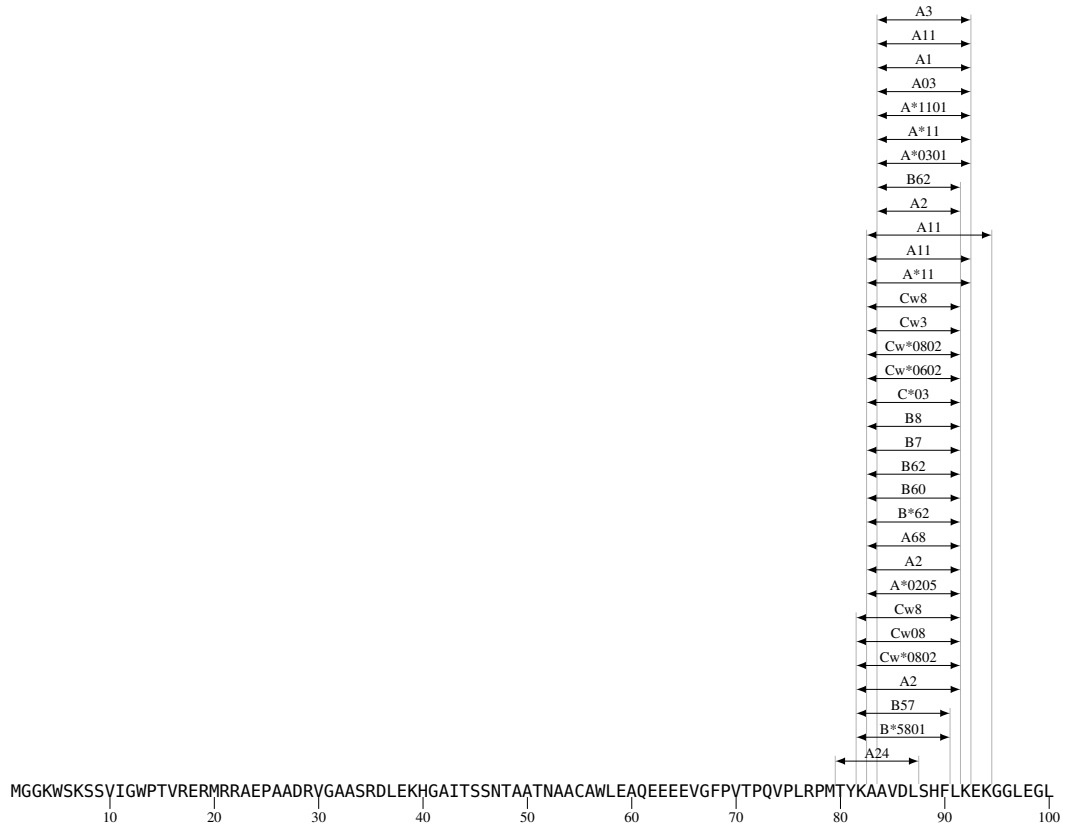
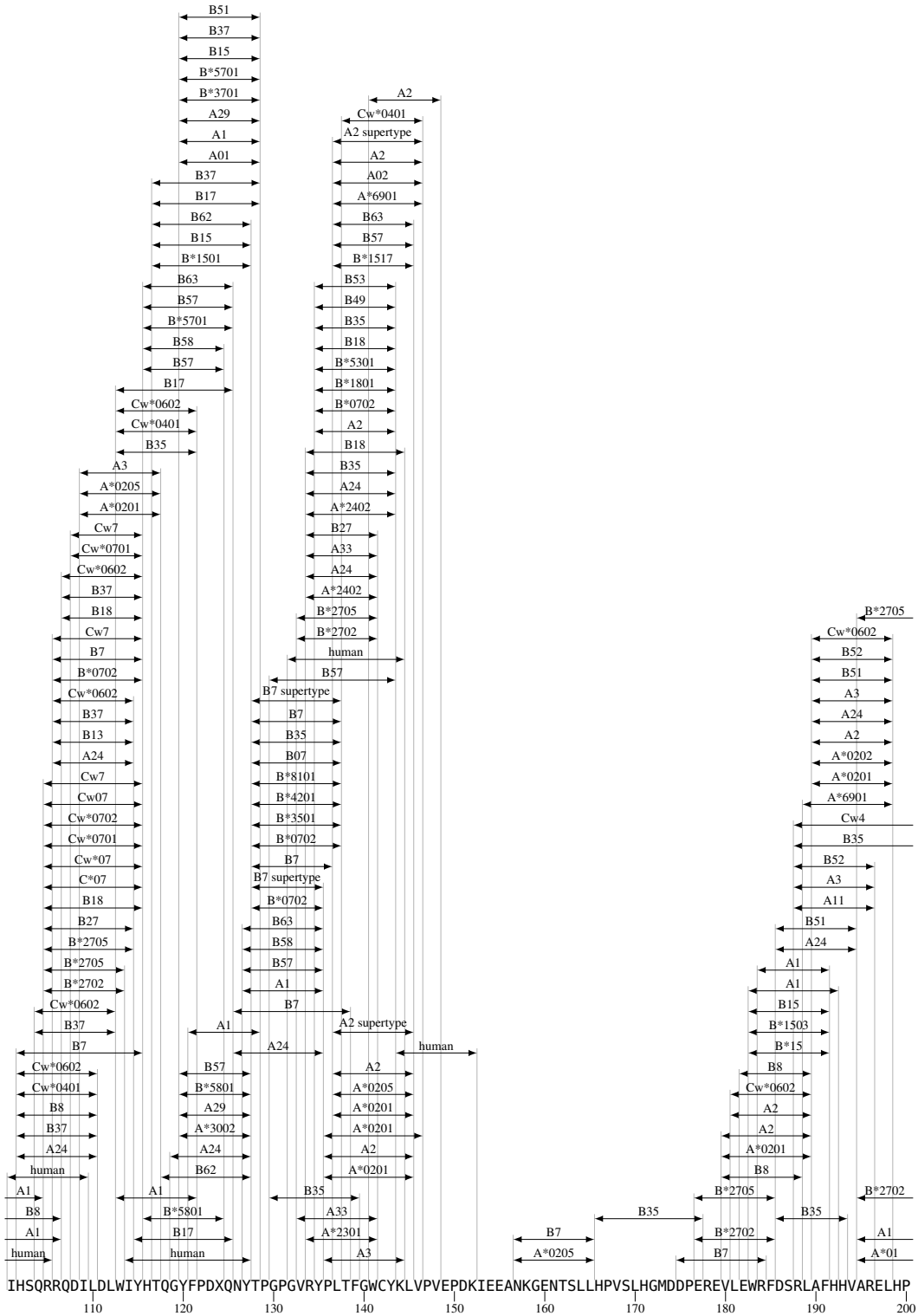
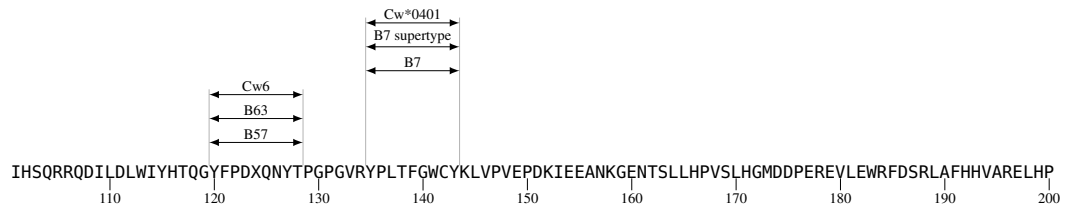




Figure 39: Nef CTL/CD8+ Map aa 101–200 3/2



**Figure 40:** Nef CTL/CD8+ Map aa 101–200 4/2



**Figure 41:** Nef CTL/CD8+ Map aa 201–206

