

# TEXAS DEPARTMENT OF INSURANCE

Engineering Services / MC 103-3A 333 Guadalupe Street P.O. Box 149104 Austin, Texas 78714-9104  
Phone No. (512) 322-2212 Fax No. (512) 463-6693

---

## PRODUCT EVALUATION RV-36

Effective December 1, 2006

*The following product has been evaluated for compliance with the wind loads specified in the **International Residential Code (IRC)** and the **International Building Code (IBC)**. This product shall be subject to reevaluation 3 years after the effective date.*

*This product evaluation is not an endorsement of this product or a recommendation that this product be used. The Texas Department of Insurance has not authorized the use of any information contained in the product evaluation for advertising, or other commercial or promotional purpose.*

*This product evaluation is intended for use by those individuals who are following the design wind load criteria in Chapter 3 of the IRC and Section 1609 of the IBC. The design loads determined for the building or structure shall not exceed the design load rating specified for the products shown in the limitations section of this product evaluation. This product evaluation does not relieve a Texas licensed engineer of his responsibilities as outlined in the Texas Insurance Code, the Texas Administrative Code and the Texas Engineering Practice Act.*

**TAMLYN Series TSB150 ROOF VENT** manufactured by:

**TAMLYN**  
**13623 Pike Road**  
**Stafford, Texas 77477**  
**(800) 334-1676**

will be acceptable in designated catastrophe zones along the Texas Gulf Coast when installed in accordance to manufacturer's installation instructions and this product evaluation.

## PRODUCT DESCRIPTION

**Tamlyn's TSB150** roof vent is made of high impact virgin polypropylene with heat stabilizers and UV inhibitors throughout the vent.

## LIMITATIONS

**Design Pressure:** -135 psf, +130 psf

**For all applications:** The **TSB150** may be installed on roofs with any slope up to a maximum slope of 16:12.

## INSTALLATION INSTRUCTIONS

### General Installation Instructions:

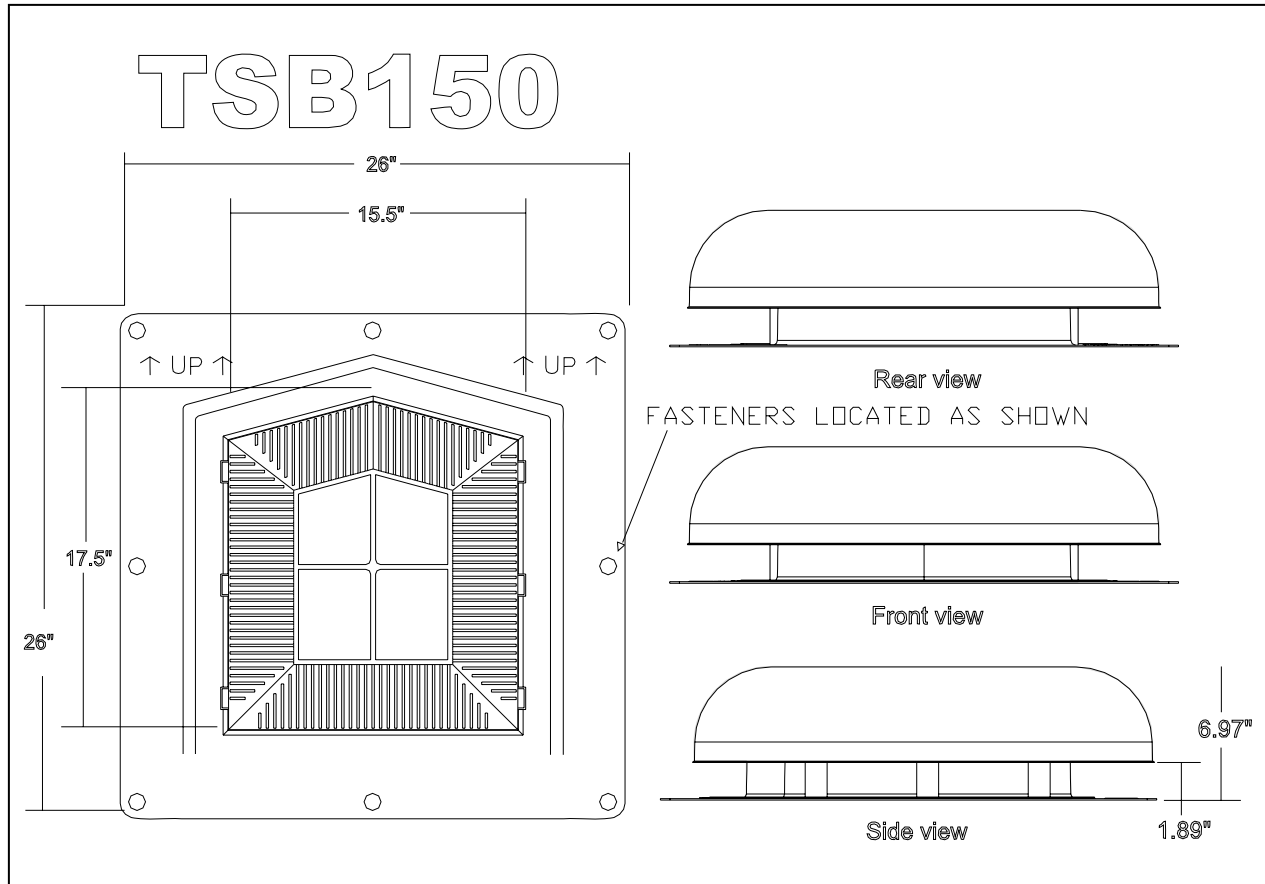
All requirements specified in the International Residential Code (IRC) and the International Building Code (IBC) must be satisfied and manufacturer's installation instructions followed, unless otherwise specified by this product evaluation.

**Deck:** The roof deck shall consist of wood structural panels with a minimum nominal thickness of ½"inch.

### INSTALLATION INSTRUCTIONS (Continued)

#### ATTACHMENT OF VENT:

The polypropylene flashing is attached to wood structural panels having a minimum thickness of ½" with a total of eight (8) 2" 0.120 shank diameter x 3/8" head smooth shank roofing nails. The nails shall be spaced ½" from the flashing edge corner and one (1) at center ½" from the edge. Fasteners are to be



located as shown below.

**Note:** The manufacturer's installation instructions shall be available on the job site during installation. All fasteners shall be corrosion resistant as specified in the International Residential Code (IRC) and the International Building Code (IBC).