

# TEXAS DEPARTMENT OF INSURANCE

Engineering Services / MC 103-3A 333 Guadalupe Street P.O. Box 149104 Austin, Texas 78714-9104  
Phone No. (512) 322-2212 Fax No. (512) 463-6693

---

## PRODUCT EVALUATION RV-14

Effective March 1, 2003  
Revised July 1, 2006

*The following product has been evaluated for compliance with the wind loads specified in the **International Residential Code (IRC)** and the **International Building Code (IBC)**. This product shall be subject to reevaluation 3 years after the effective date.*

*This product evaluation is not an endorsement of this product or a recommendation that this product be used. The Texas Department of Insurance has not authorized the use of any information contained in the product evaluation for advertising, or other commercial or promotional purpose.*

*This product evaluation is intended for use by those individuals who are following the design wind load criteria in Chapter 3 of the IRC and Section 1609 of the IBC. The design loads determined for the building or structure shall not exceed the design load rating specified for the products shown in the limitations section of this product evaluation. This product evaluation does not relieve a Texas licensed engineer of his responsibilities as outlined in the Texas Insurance Code, the Texas Administrative Code and the Texas Engineering Practice Act.*

**Static and Motorized Roof Vents** manufactured by:

**Air Vent, Inc.**  
4117 Pinnacle Point Drive  
Suite 400  
Dallas, Texas 75211  
(214) 630-7377

also sold under the private label **Owens Corning Ventsure®** will be acceptable in designated catastrophe zones along the Texas Gulf Coast when installed in accordance to manufacturer's installation instructions and this product evaluation.

## PRODUCT DESCRIPTION

**Static and Motorized Roof Vents** are available in either slant back, square or round dome models and may be steel, aluminum, or plastic in construction. The vents are sold in colors mill (silver), black, brown, white, or weatherwood.

**Roof vents accepted under this evaluation are as follows:**

Type	Model #	Equivalent Model	Designation	Design Pressure (psf)
Static, Plastic Square	SQP61*	N/A	Air Vent, Inc.	-87.5
Static, Aluminum Square	UH50*	N/A	Air Vent, Inc.	-87.5
Static, Plastic Slant Back	SLP61*	N/A	Air Vent, Inc.	-87.5
Static, Plastic Slant Back	SLP61*	VTS761	Owens Corning Ventsure®	-87.5
Static, Aluminum Slant Back	STC5*	RA50*	Air Vent, Inc.	-87.5
Static, Steel Round Dome	B144*	N/A	Air Vent, Inc.	-87.5
Static, Steel Round Dome	B144*	VTSG-144	Owens Corning Ventsure®	-87.5
Static, Square Air Stream	SQA*	N/A	Air Vent, Inc.	-80.0
Static, Slant Back Air Stream	SLA*	N/A	Air Vent, Inc.	-130.0
Static, Slant Back Air Stream	SLA*	VTS455	Owens Corning Ventsure®	-130.0
Motorized, Steel Round Dome	RV26*	RV28*	Air Vent, Inc.	-87.5
Motorized, Steel Round Dome	RV26*	BR26*	Air Vent, Inc.	-87.5
Motorized, Steel Round Dome	RV26*	BR28*	Air Vent, Inc.	-87.5
Motorized, Steel Round Dome	RV26*	ASRHP*	Air Vent, Inc.	-87.5
Motorized, Steel Round Dome	RV26*	PC12*	Air Vent, Inc.	-87.5
Motorized, Steel Round Dome	RV26*	PC15*	Air Vent, Inc.	-87.5
Motorized, Steel Round Dome	RV26*	SV3000*	Air Vent, Inc.	-87.5
Motorized, Steel Round Dome	RV26*	XLR*	Air Vent, Inc.	-87.5

**PRODUCT DESCRIPTION (Continued)**

\* Suffixes on the above models specify 1) Color – such as Black, (BK or K), Gray, (ML), Brown (BR or B), etc. 2) Construction Material – such as Steel, Aluminum, etc.

**INSTALLATION INSTRUCTIONS**

**General Installation Requirements:**

All requirements specified in the International Residential Code (IRC) and the International Building Code (IBC) must be satisfied and manufacturer's installation instructions followed, unless otherwise specified by this product evaluation.

**Roof Deck:**

The roof deck shall consist of wood structural panels with a minimum thickness of  $\frac{15}{32}$  inch.

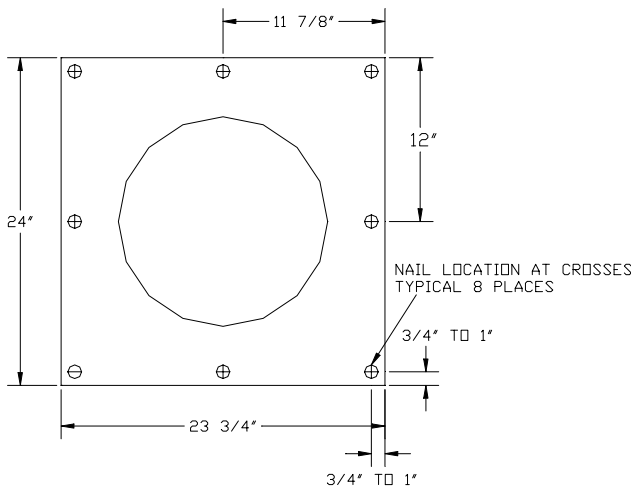
Exception: Models SQA and SLA may be installed on a wood structural panel deck with minimum thickness of  $\frac{3}{8}$ ".

**Static Aluminum Slant Back Vent (model # STC5), Static Slant Back Air Stream (SLA) and Static Square Air Stream (SQA):**

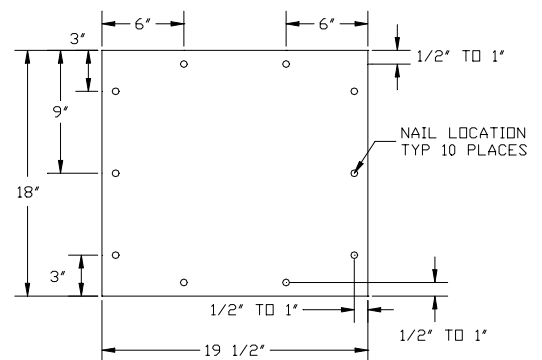
These vents shall be installed with ten (10) 1 inch long by  $\frac{3}{8}$  inch diameter head galvanized steel roofing nails, with a shank diameter of  $\frac{1}{8}$  inch.

**All other models (#B144, #RV26, #SQP61, #SLP61, #UH50):**

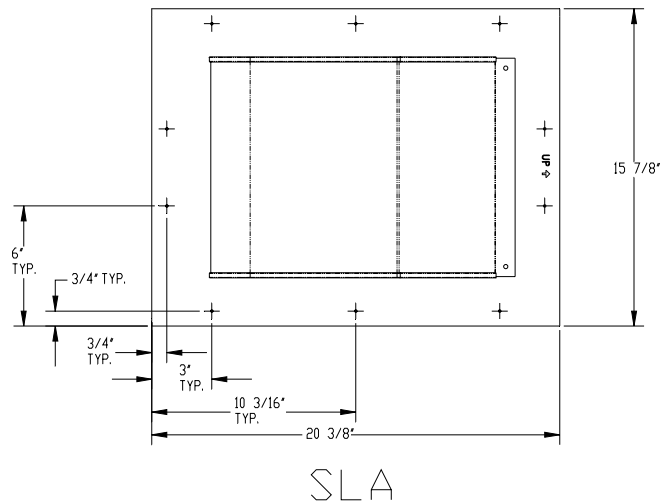
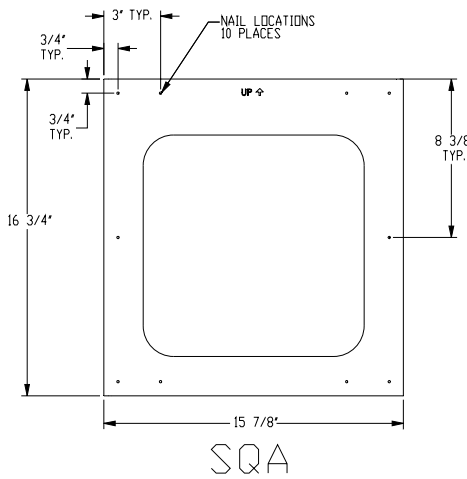
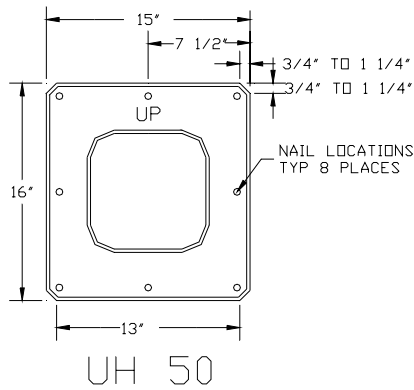
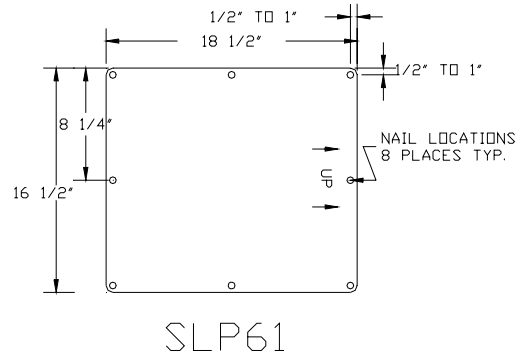
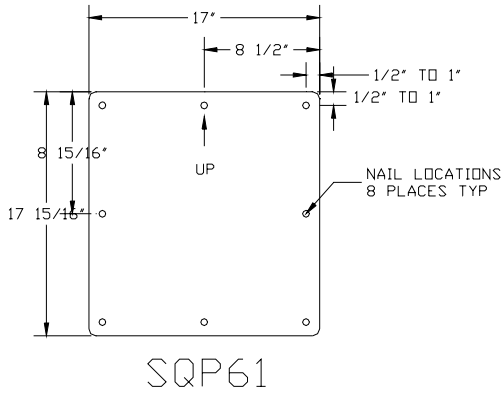
These vents shall be installed with eight (8) 1 inch long by  $\frac{3}{8}$  inch diameter head galvanized steel roofing nails, with a shank diameter of  $\frac{1}{8}$  inch.



RV-26/B144



STC5



**Note:** The manufacturer's installation instructions shall be available on the job site during installation. All fasteners shall be corrosion resistant as specified in the International Residential Code (IRC) and the International Building Code (IBC).