

TEXAS DEPARTMENT OF INSURANCE

Engineering Services / MC 103-3A 333 Guadalupe Street P.O. Box 149104 Austin, Texas 78714-9104
Phone No. (512) 322-2212 Fax No. (512) 463-6693

PRODUCT EVALUATION RV-5

Effective February 1, 2005
Revised July 1, 2006

*The following product has been evaluated for compliance with the wind loads specified in the **International Residential Code (IRC)** and the **International Building Code (IBC)**. This product shall be subject to reevaluation 3 years after the effective date.*

This product evaluation is not an endorsement of this product or a recommendation that this product be used. The Texas Department of Insurance has not authorized the use of any information contained in the product evaluation for advertising, or other commercial or promotional purpose.

This product evaluation is intended for use by those individuals who are following the design wind load criteria in Chapter 3 of the IRC and Section 1609 of the IBC. The design loads determined for the building or structure shall not exceed the design load rating specified for the products shown in the limitations section of this product evaluation. This product evaluation does not relieve a Texas licensed engineer of his responsibilities as outlined in the Texas Insurance Code, the Texas Administrative Code, and the Texas Engineering Practice Act.

The **TIBG-12S** and **TOBG-12S Airhawk Galvanized** and the **TIB-12S** and **TOB-12S Aluminum Turbine Roof Ventilators** manufactured by

Air Vent, Inc.
4117 Pinnacle Point Drive
Suite 400
Dallas, Texas 75211
(214) 630-7377

is accepted for use in designated catastrophe zones along the Texas Gulf Coast when installed in accordance with the manufacturer's installation instructions and this product evaluation.

PRODUCT DESCRIPTION

The **Air Vent, Inc. TIBG-12S, TOBG-12S, TIB-12S, and TOB-12S Turbine Roof Ventilators** may be either galvanized or aluminum and internally or externally braced. The units are 20 inches wide at the base and 17 inches in height.

LIMITATIONS

Slope: The products shall be installed on roof slopes from 3:12 to 12:12.

Design Pressure: -170 psf

INSTALLATION INSTRUCTIONS

General Installation Requirements:

The structural provisions of the International Residential Code (IRC), the International Building Code (IBC), and the Texas Revisions to the IRC and the IBC must be satisfied and manufacturer's installation instructions followed, unless otherwise specified by this product evaluation.

The TIBG-12S, TOBG-12S, TIB-12S, and TOB-12S Turbine Roof Vents shall be installed in accordance with the manufacturer's installation instructions with the following exceptions:

Deck: The roof deck shall consist of wood structural panels with a minimum thickness of 3/8 inch.

INSTALLATION INSTRUCTIONS (Continued)

Anchorage: The base of the vent shall be attached to the roof deck with eight (8) smooth shank roofing nails with a head diameter of 0.375", a shank diameter of 0.125", and a shank length of 1.3". The nails shall penetrate the roof deck and are located 1" from the corner.

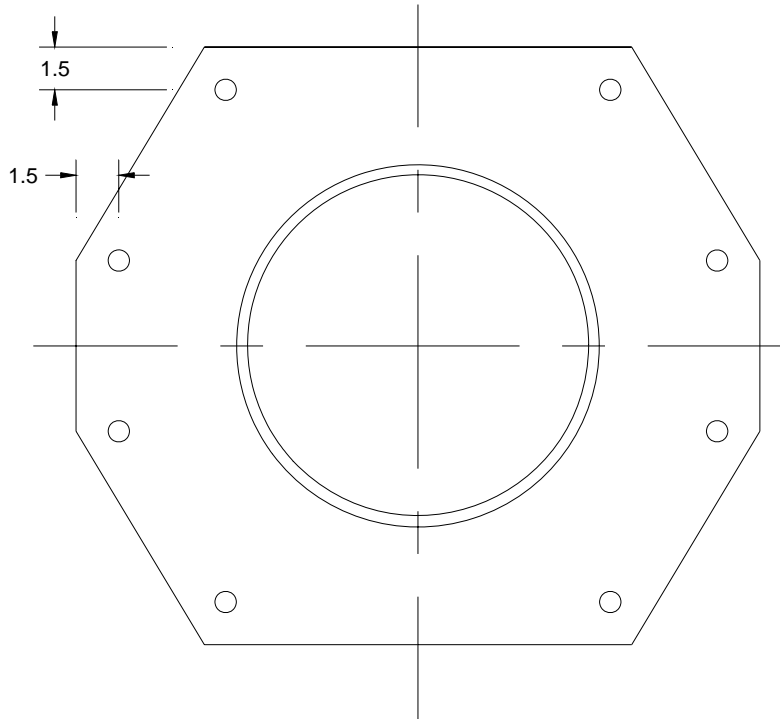


Figure 1. Vent Base Illustrating Fastener Locations along Perimeter of Base

Note: The manufacturer's installation instructions shall be available on the job site during installation. All fasteners shall be corrosion resistant as specified in the International Residential Code (IRC) and the International Building Code (IBC).